



US00D494396S1

(12) **United States Design Patent** (10) **Patent No.:** **US D494,396 S**
Veltz et al. (45) **Date of Patent:** **** Aug. 17, 2004**

- (54) **ACCESSORY POST**
- (75) Inventors: **Jason D. Veltz**, Dana Point, CA (US);
Alvin Tolosa, Ventura, CA (US)
- (73) Assignee: **NewFrey LLC**, Newark, DE (US)
- (**) Term: **14 Years**
- (21) Appl. No.: **29/153,028**
- (22) Filed: **Dec. 20, 2001**
(Under 37 CFR 1.47)
- (51) **LOC (7) Cl.** **23-02**
- (52) **U.S. Cl.** **D6/524**
- (58) **Field of Search** D6/546-550, 518-519,
D6/522-524; D8/300, 303, 315-321, 354,
363, 373, 380; 108/28-29; 211/13.1, 16,
60.1, 86.01, 87.01, 88.01, 88.04, 100, 105.1-105.2,
119.003, 123, 126.1, 133.6, 134, 181.1,
182; 248/175, 176.1, 200, 214, 251, 302,
309.1; 16/110.1, 412, 415; 242/570, 590;
206/389, 557

- D394,973 S 6/1998 Moore et al.
- D408,669 S 4/1999 Kuo
- D409,029 S 5/1999 Harris
- D417,808 S 12/1999 Roth et al.
- D417,994 S 12/1999 Roth et al.
- D417,995 S 12/1999 Chen
- D422,820 S 4/2000 Chen
- D424,352 S 5/2000 Roth et al.
- D424,354 S 5/2000 Duggan
- D431,742 S 10/2000 Chen
- D431,948 S 10/2000 Chen
- D436,477 S 1/2001 Ming-Hsiao
- 6,220,460 B1 4/2001 Pan
- 6,250,597 B1 6/2001 Kuo
- D478,754 S * 8/2003 Moore D6/524
- D478,755 S * 8/2003 Moore D6/524

* cited by examiner

Primary Examiner—Brian N. Vinson
(74) *Attorney, Agent, or Firm*—Richard J. Veltman; John D. Del Ponti

(57) **CLAIM**

The ornamental design for an accessory post, as shown.

DESCRIPTION

FIG. 1 is a perspective view of an accessory post showing our new design, the broken-line disclosure of a portion of a towel bar in this and the following views is for illustrative purposes only and forms no part of the claimed design.

FIG. 2 is a front elevational view of the new design for an accessory post, the rear elevational view being a mirror image;

FIG. 3 is a right elevational view of the new design for an accessory post, the left elevational view being a mirror image;

FIG. 4 is a top plan view of the new design for an accessory post; and,

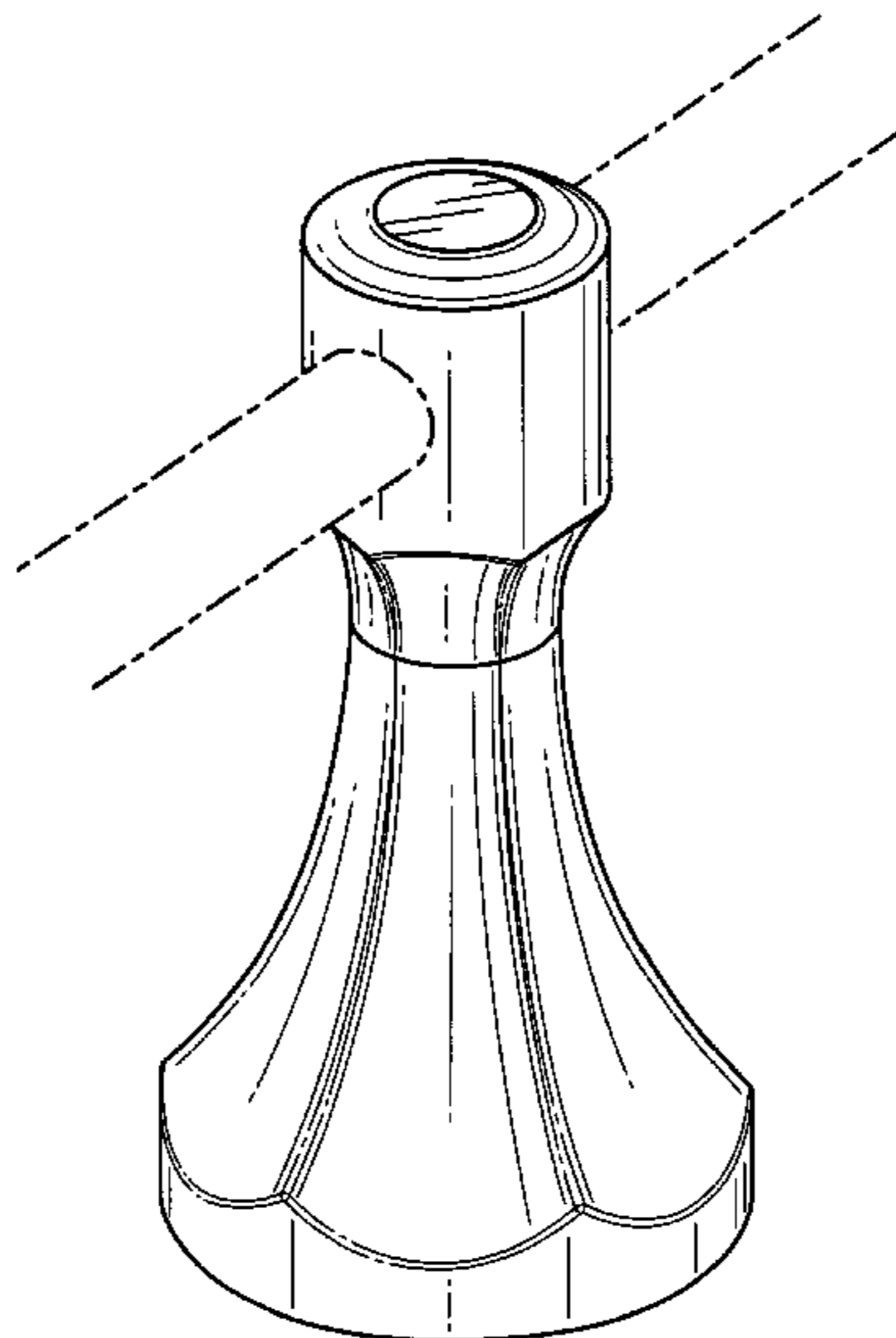
FIG. 5 is a bottom plan view of the new design for an accessory post.

1 Claim, 4 Drawing Sheets

(56) **References Cited**

U.S. PATENT DOCUMENTS

- 394,792 A 12/1888 Shoe
- D41,567 S 7/1911 Strassburger et al.
- D41,956 S * 12/1911 Nelson D6/549
- 1,057,448 A 4/1913 Nordstrom
- D74,422 S 2/1928 Frolking
- 1,795,059 A 3/1931 Vance et al.
- D97,398 S 11/1935 Levett
- D286,963 S 12/1986 Waghorn
- 5,186,427 A 2/1993 Semchuck
- D337,014 S 7/1993 Wang
- D357,840 S 5/1995 Lehn et al.
- D360,792 S 8/1995 Sharpe
- D361,006 S 8/1995 Sharpe
- D362,361 S 9/1995 Lehn et al.
- D392,139 S 3/1998 Wu



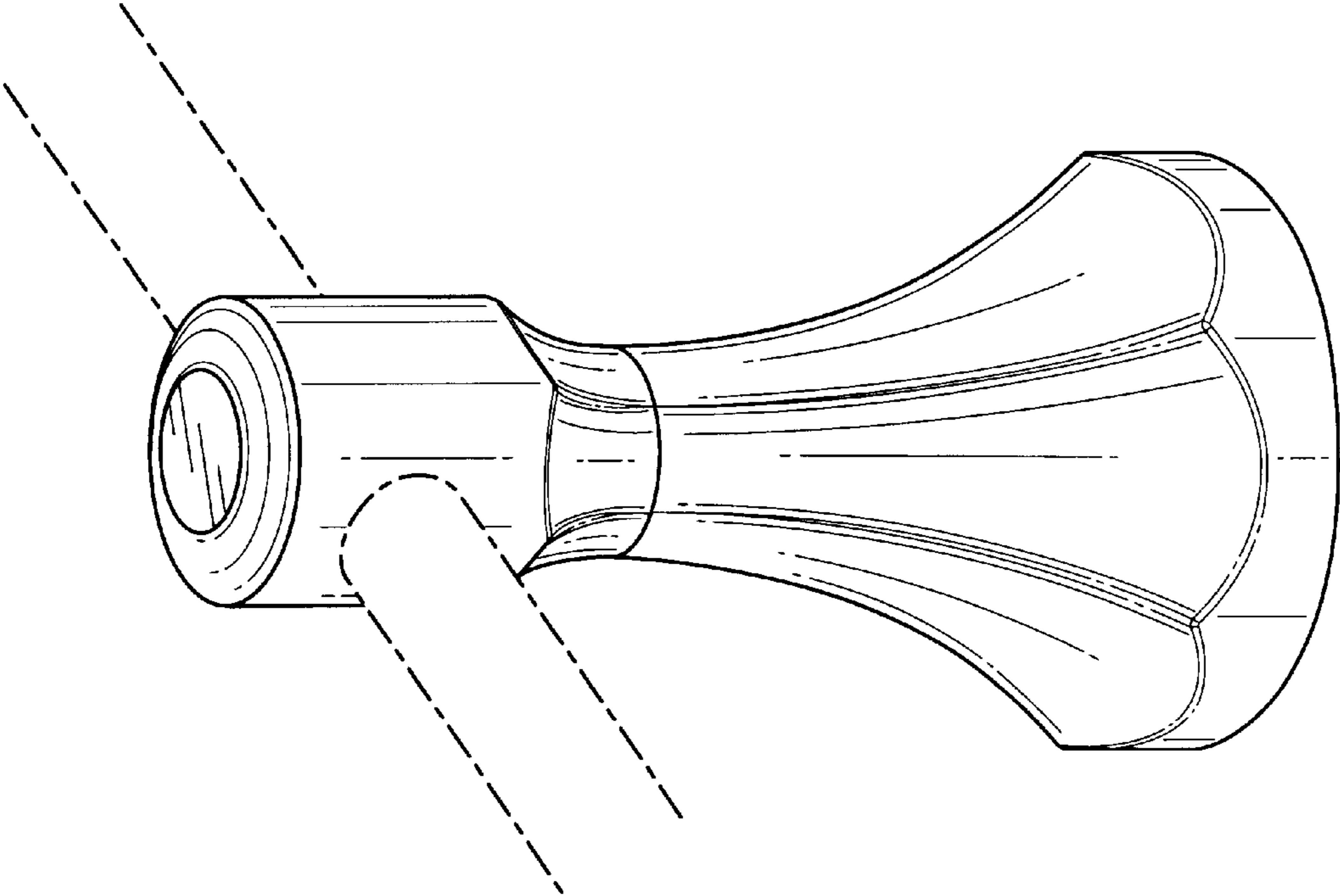


FIG. 1

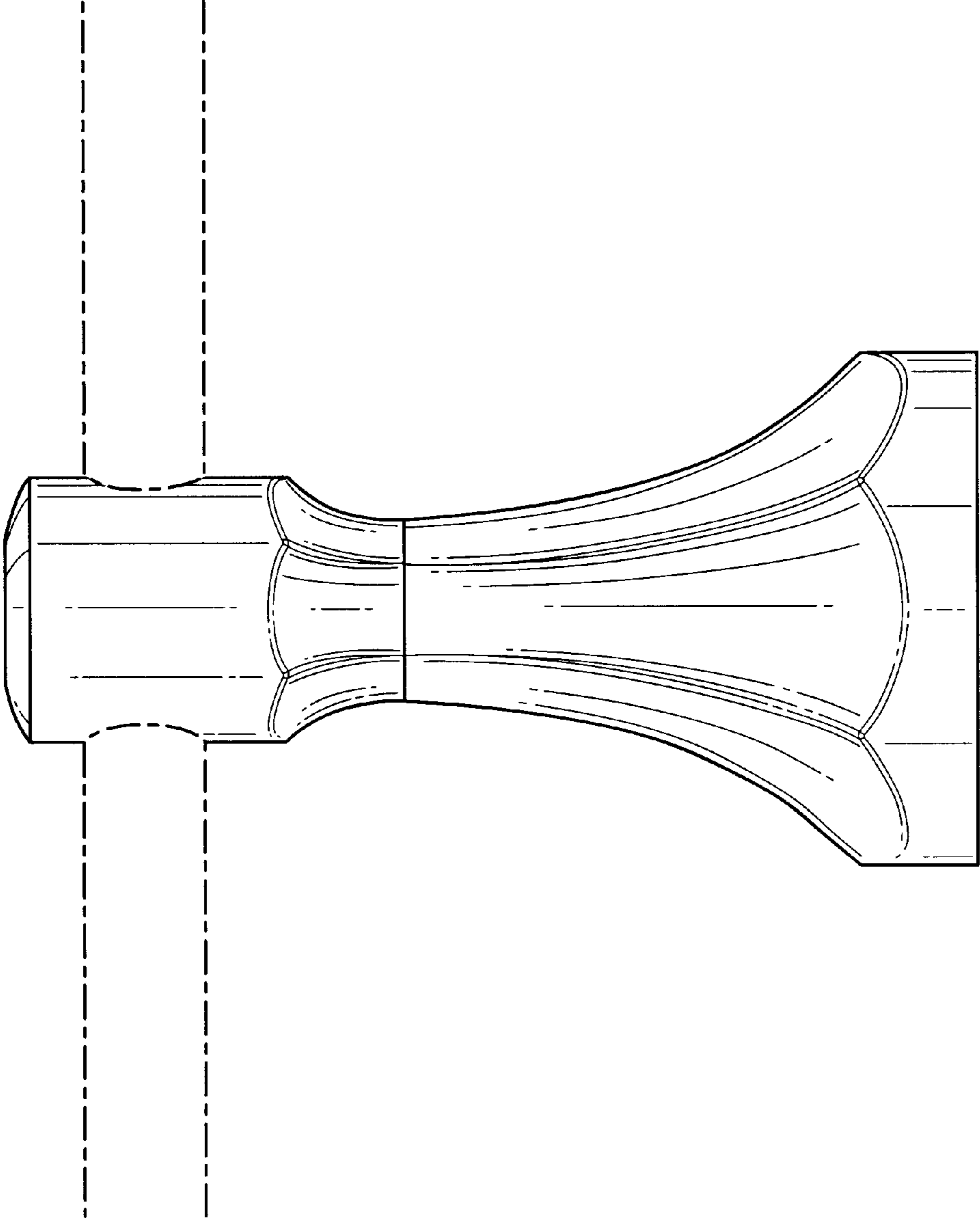


FIG. 2

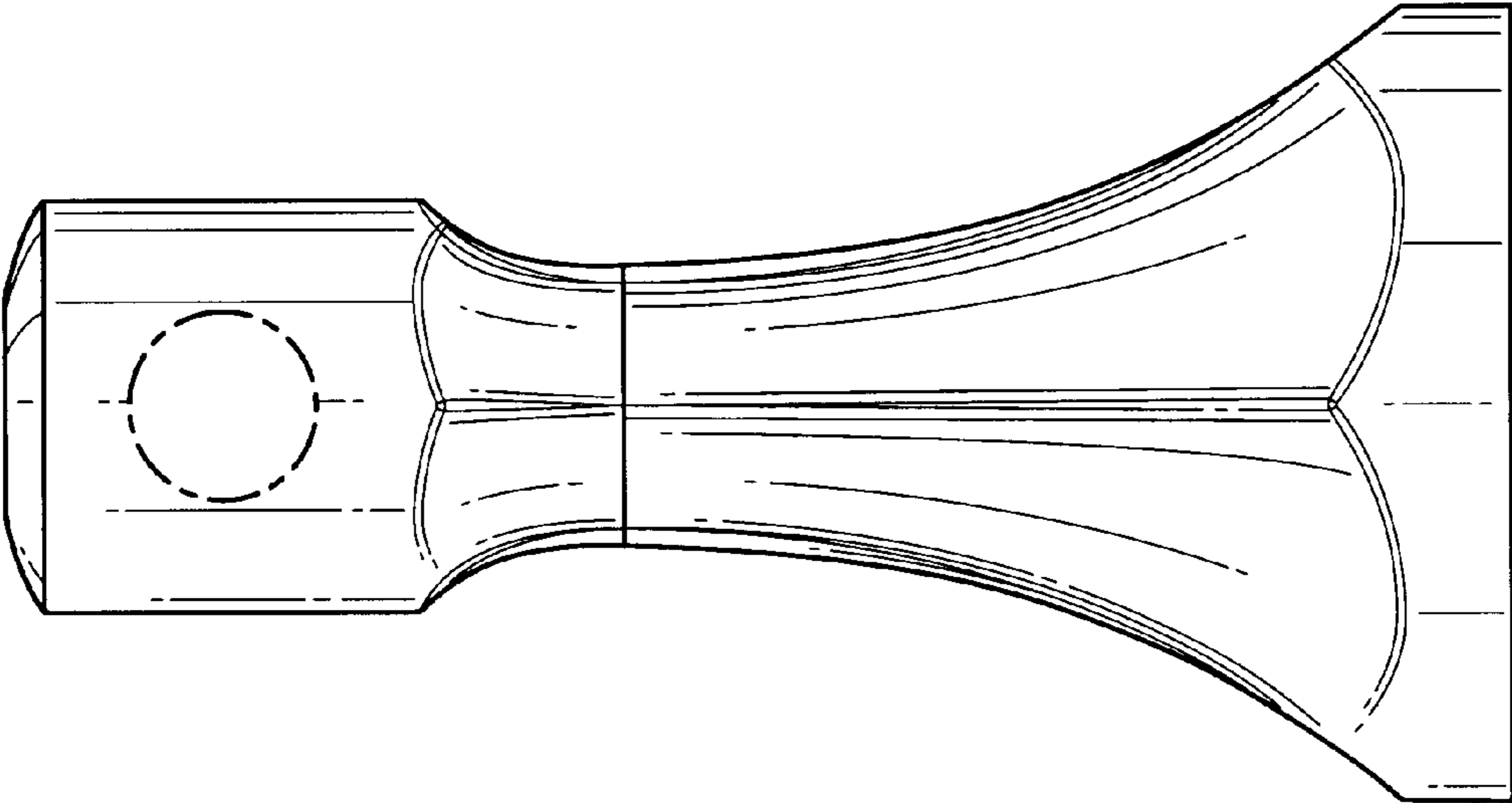


FIG. 3

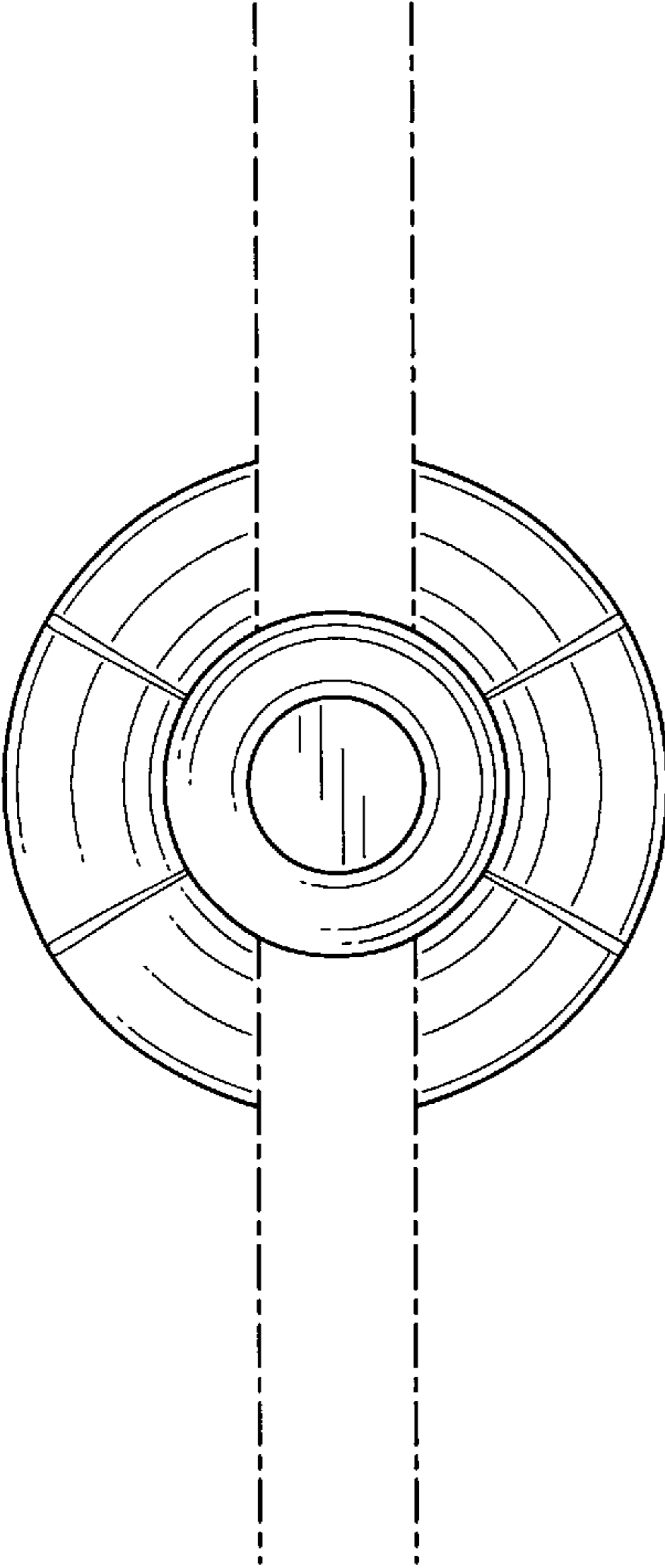


FIG. 4

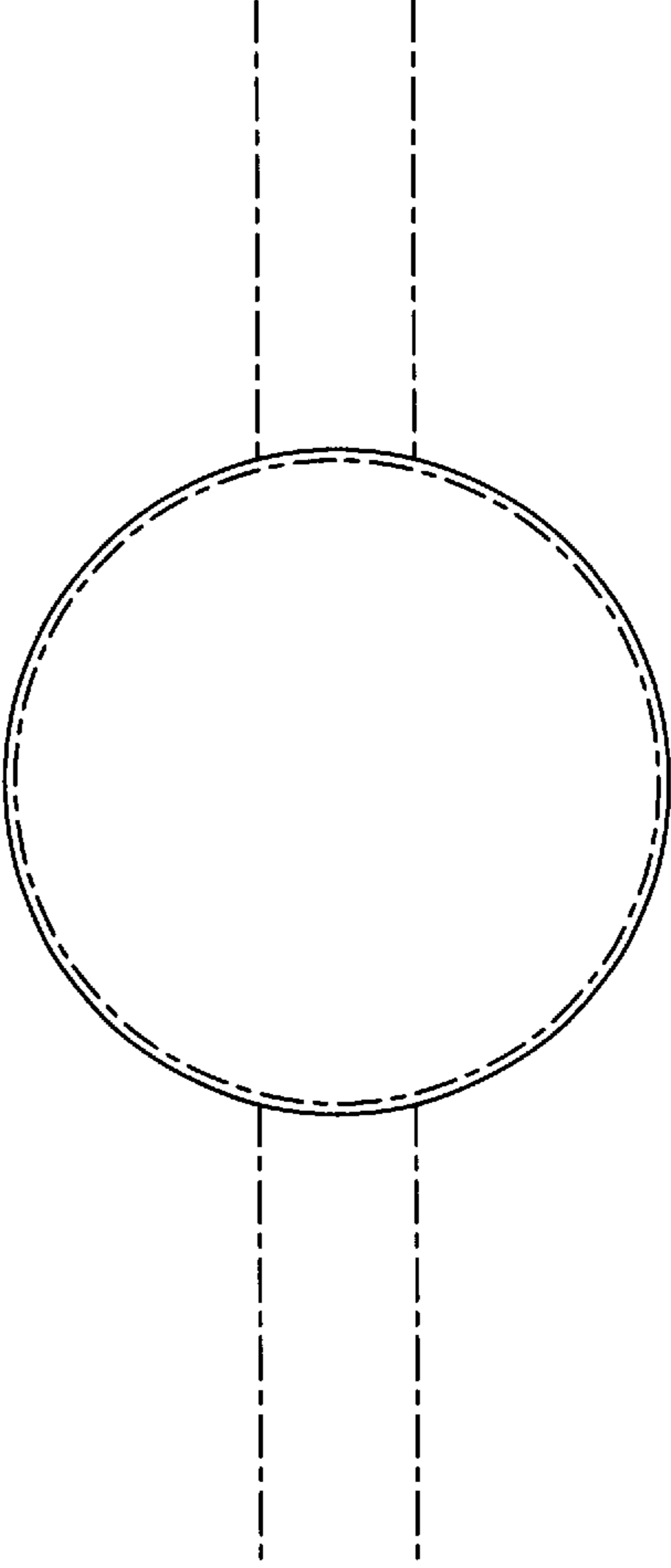


FIG. 5