

US00D494395S1

(12) **United States Design Patent**  
**Wolpert et al.**

(10) **Patent No.:** **US D494,395 S**

(45) **Date of Patent:** **\*\* Aug. 17, 2004**

(54) **DISPENSER ROLL**

(75) **Inventors:** **Christopher Wolpert**, Scottsdale, AZ  
(US); **Gilbert Schmidt**, Cincinnati, OH  
(US); **David Memke**, Bainbridge  
Island, WA (US)

(73) **Assignee:** **The Dial Corporation**, Scottsdale, AZ  
(US)

(\*\*) **Term:** **14 Years**

(21) **Appl. No.:** **29/189,923**

(22) **Filed:** **Sep. 12, 2003**

(51) **LOC (7) Cl.** ..... **06-02**

(52) **U.S. Cl.** ..... **D6/523**

(58) **Field of Search** ..... D6/518-523; 242/570,  
242/571, 572, 590, 596, 598, 599.1, 599.3,  
600, 598.3

(56) **References Cited**

**U.S. PATENT DOCUMENTS**

2,522,109 A \* 9/1950 Foltis ..... 242/599.3  
D296,963 S \* 8/1988 Smallwood ..... D6/523  
D324,618 S \* 3/1992 Morand ..... D6/523

5,340,047 A \* 8/1994 Heller ..... 242/599.1  
D405,305 S \* 2/1999 Hobgood ..... D6/523  
D422,819 S \* 4/2000 Fong ..... D6/523  
D427,828 S \* 7/2000 Senecal, Jr. .... D6/523

\* cited by examiner

*Primary Examiner*—Brian N Vinson

(74) *Attorney, Agent, or Firm*—Snell & Wilmer L.L.P.

(57) **CLAIM**

The ornamental design for a dispenser roll, as shown and described.

**DESCRIPTION**

FIG. 1 is a perspective view of a dispenser roll showing our new design;

FIG. 2 is a right side view of the dispenser roll of FIG. 1;

FIG. 3 is a left side view of the dispenser roll of FIG. 1;

FIG. 4 is a back view of the dispenser roll of FIG. 1;

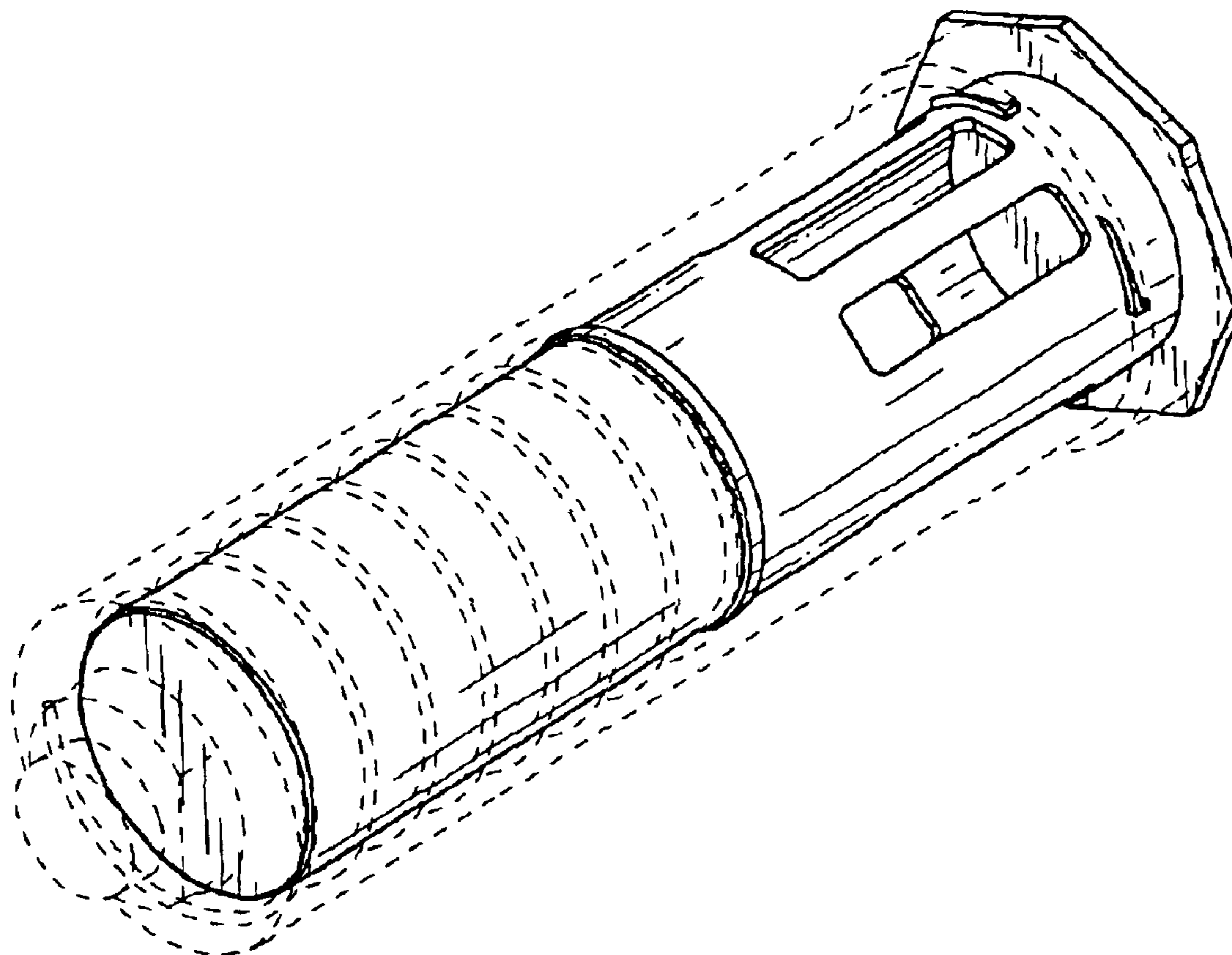
FIG. 5 is a front view of the dispenser roll of FIG. 1;

FIG. 6 is a top view of the dispenser roll of FIG. 1; and,

FIG. 7 is a bottom view of the dispenser roll of FIG. 1.

The broken-line disclosure in the views is for illustrative purposes only and forms no part of the claimed design.

**1 Claim, 4 Drawing Sheets**



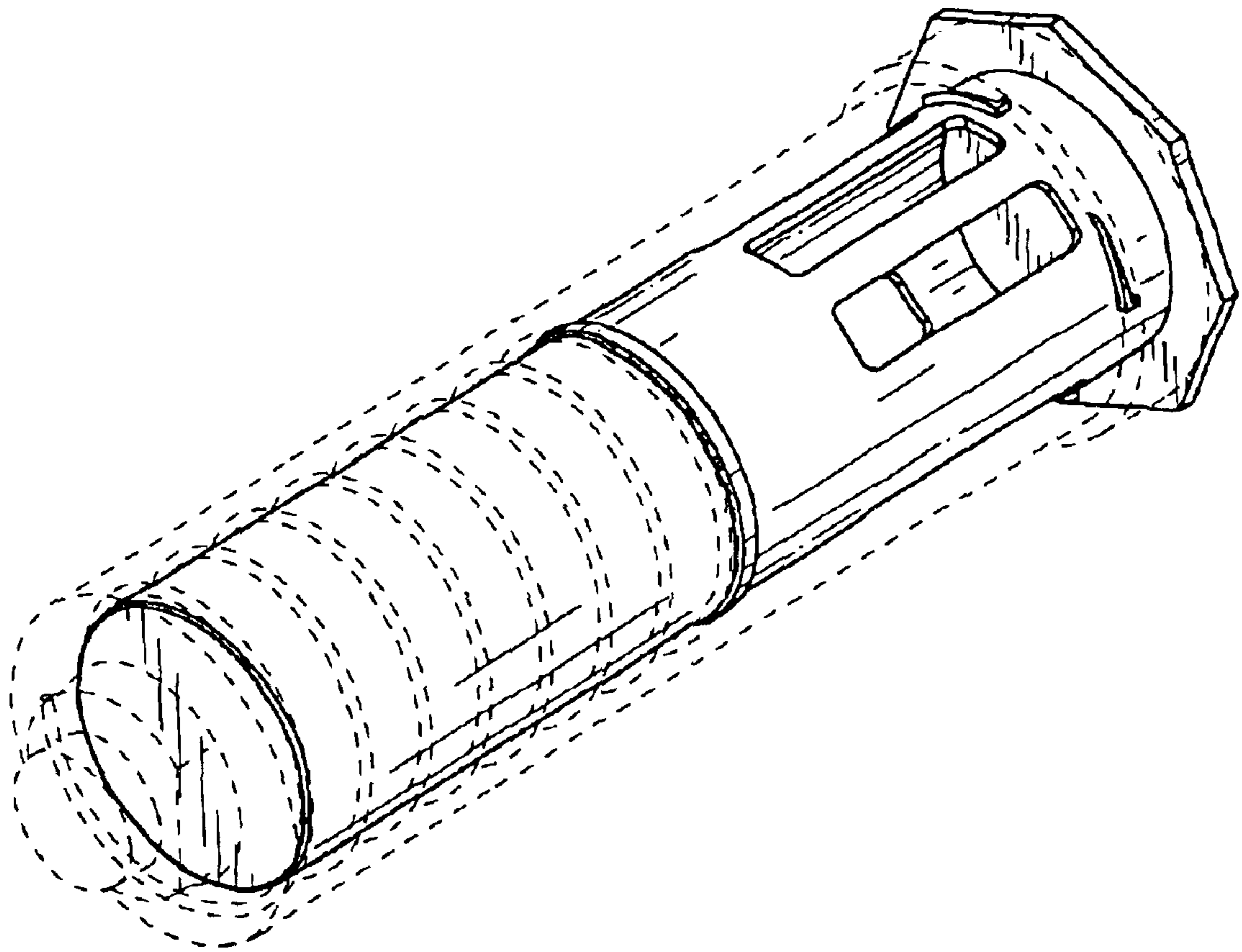


FIG. 1

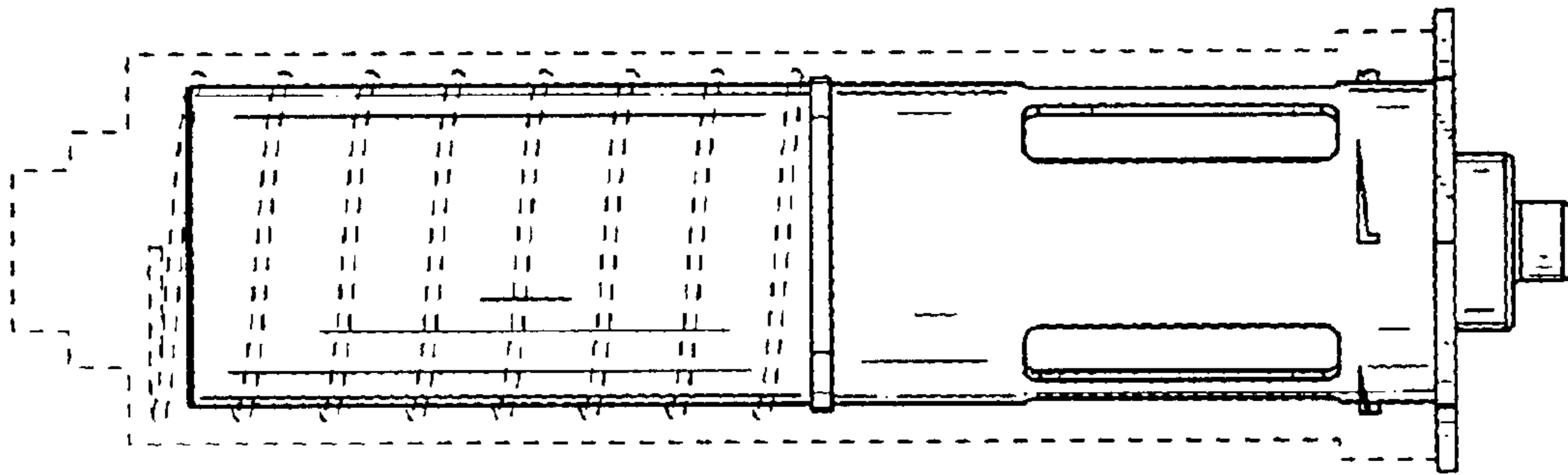


FIG. 2

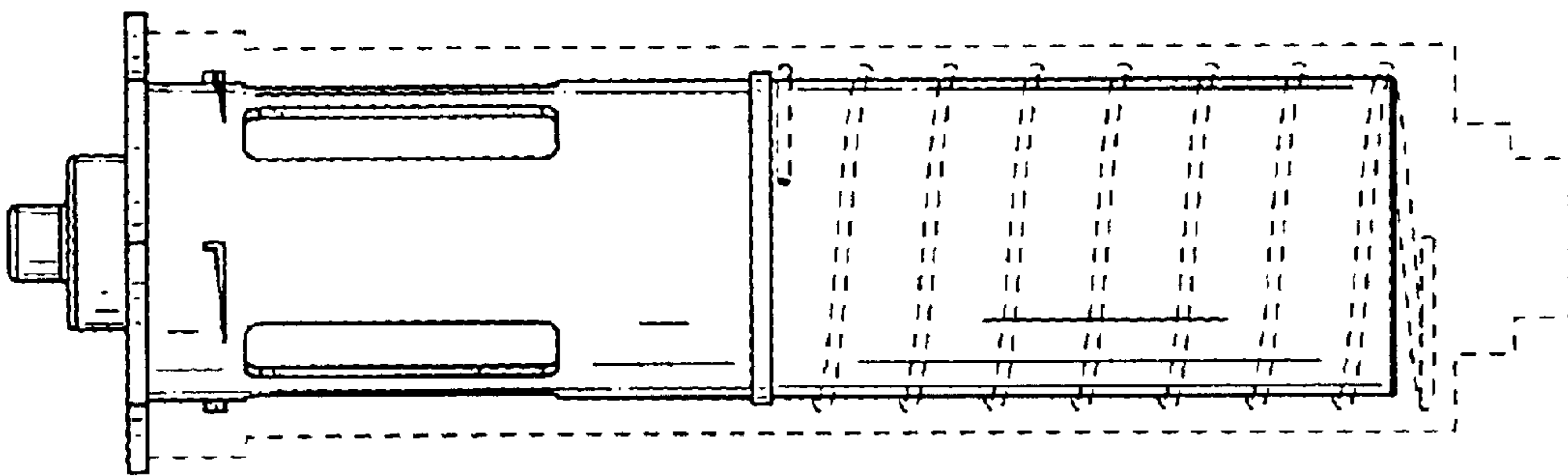


FIG. 3

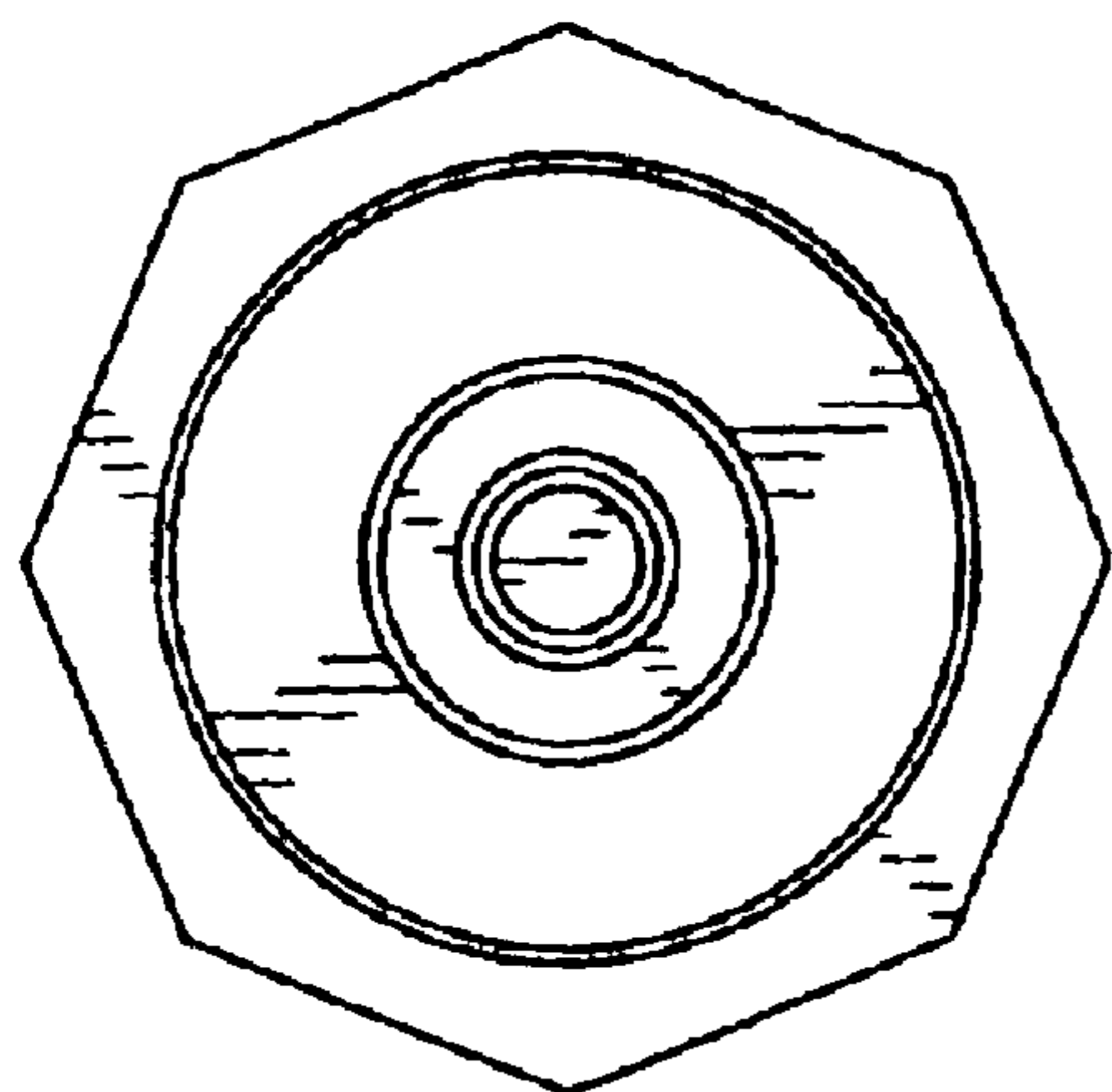


FIG. 4

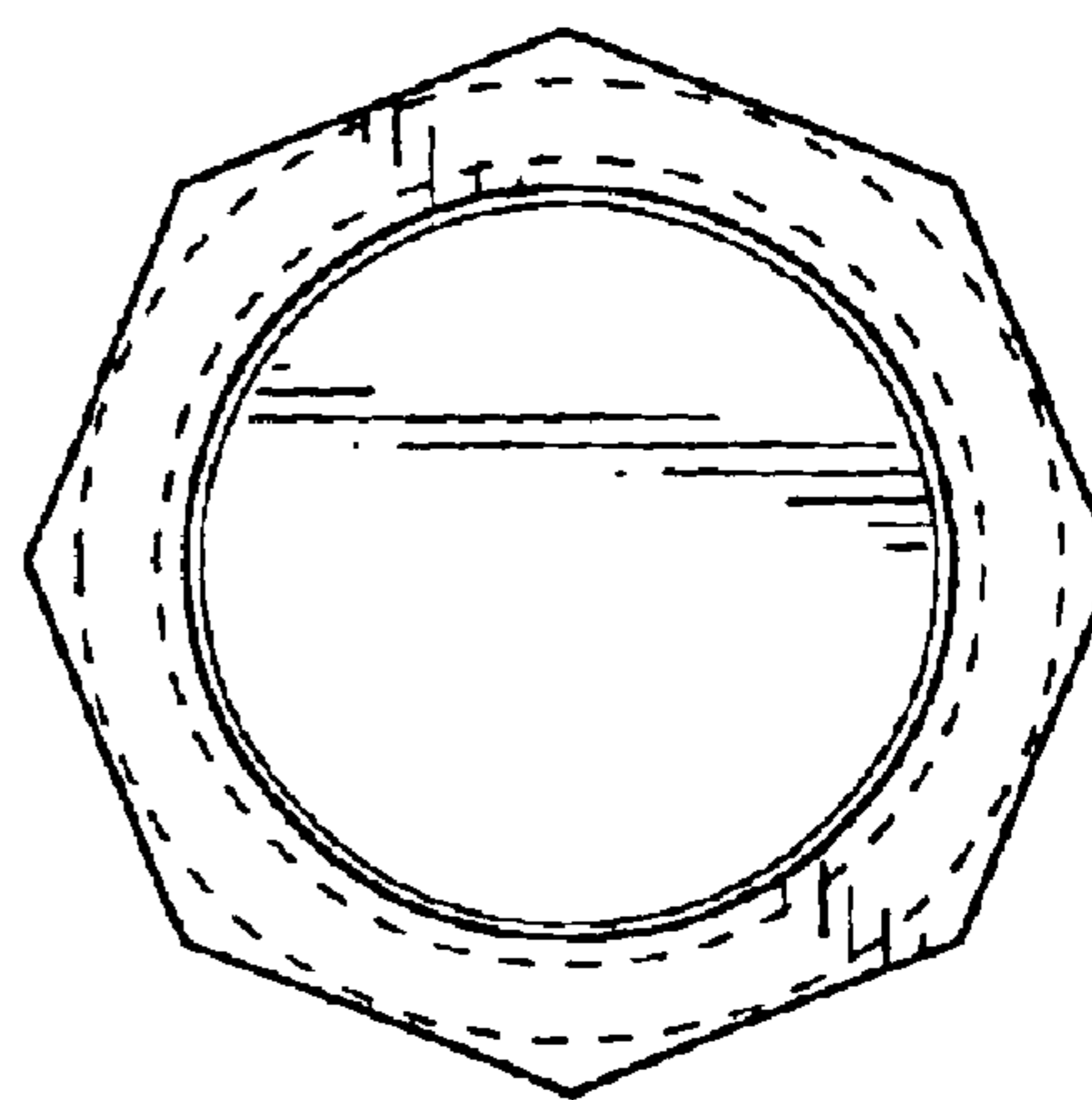


FIG. 5

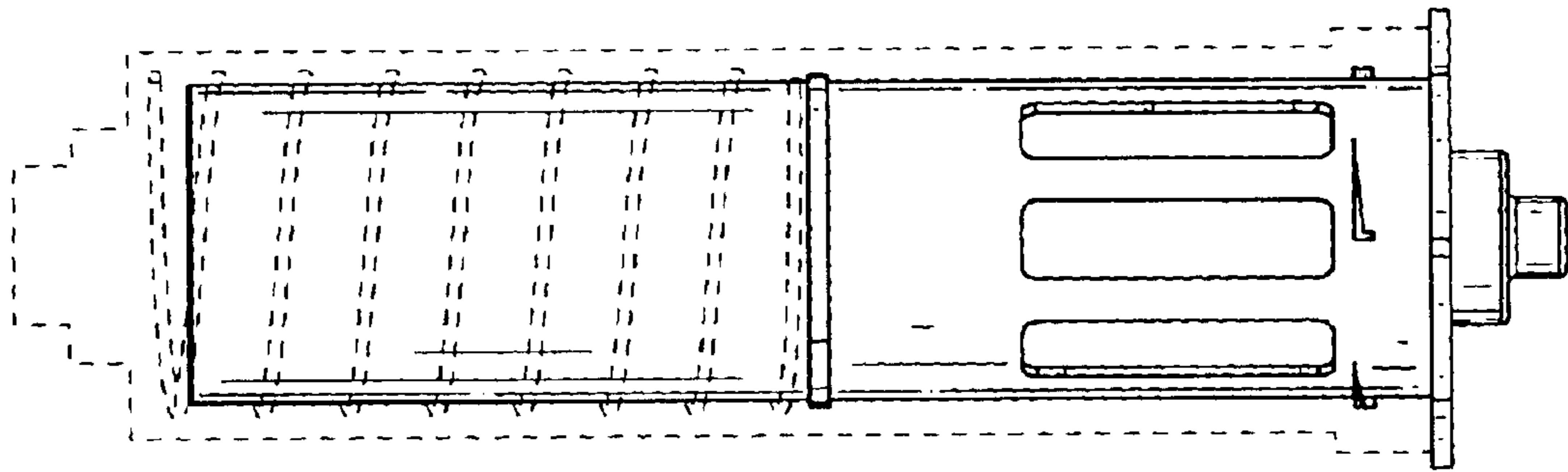


FIG. 6

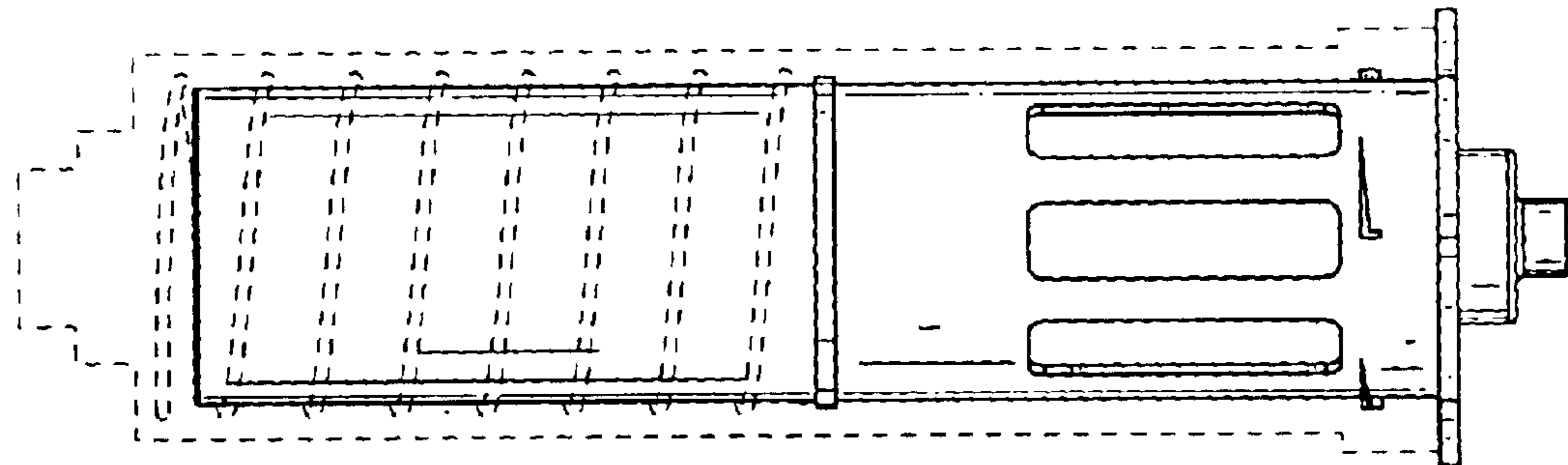


FIG. 7