



US00D494393S1

(12) **United States Design Patent**
Chen

(10) **Patent No.:** **US D494,393 S**

(45) **Date of Patent:** **** Aug. 17, 2004**

(54) **TOP RAIL OF A PLAYPEN**

(75) Inventor: **Shun-Min Chen**, Taipei (TW)

(73) Assignee: **Wonderland Nursery Goods Co., Ltd.**,
Taipei (TW)

(**) Term: **14 Years**

(21) Appl. No.: **29/196,878**

(22) Filed: **Jan. 7, 2004**

(51) **LOC (7) Cl.** **06-06**

(52) **U.S. Cl.** **D6/503; D6/491**

(58) **Field of Search** D6/390, 391, 393,
D6/333, 331, 385, 389, 503, 491; 5/93.1,
99.1, 101, 97, 98.1, 100, 310

(56) **References Cited**

U.S. PATENT DOCUMENTS

5,544,864	A	*	8/1996	Gabriel-Lacki et al.	256/25
D432,339	S	*	10/2000	Cromer, III	D6/503
6,158,067	A	*	12/2000	Cheng	5/106
6,185,762	B1	*	2/2001	Homeyer	5/99.1
6,665,895	B1	*	12/2003	St. Pierre et al.	5/99.1
2002/0166170	A1	*	11/2002	Hartenstine et al.	5/99.1
2003/0177574	A1	*	9/2003	Waldman	5/93.1

* cited by examiner

Primary Examiner—Janice Seeger

(74) *Attorney, Agent, or Firm*—Gray Cary Ware & Freidenrich LLP

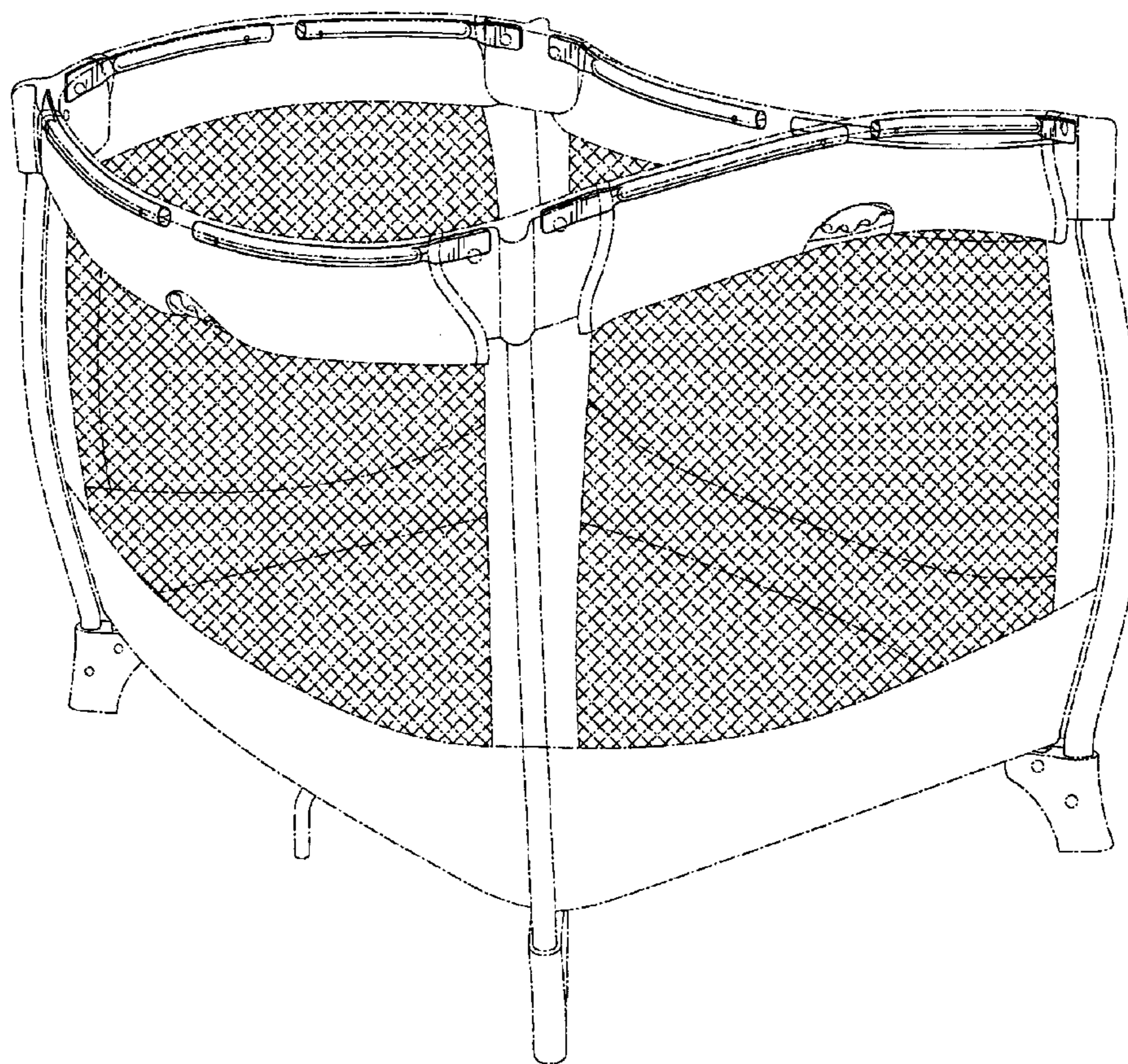
(57) **CLAIM**

The ornamental design for top rail of a playpen, as shown and described.

DESCRIPTION

FIG. 1 is a perspective view of the first embodiment of top rail of a playpen showing my new design;
 FIG. 2 is a front elevational view thereof;
 FIG. 3 is a rear elevational view thereof;
 FIG. 4 is a left side elevational view thereof;
 FIG. 5 is a right side elevational view thereof;
 FIG. 6 is a top plan view thereof;
 FIG. 7 is a bottom plan view thereof;
 FIG. 8 is a perspective view of the second embodiment of top rail of a playpen;
 FIG. 9 is a front elevational view thereof;
 FIG. 10 is a rear elevational view thereof;
 FIG. 11 is a left side elevational view thereof;
 FIG. 12 is a right side elevational view thereof;
 FIG. 13 is a top plan view thereof; and,
 FIG. 14 is a bottom plan view thereof.
 The broken lines are for environmental purposes only and form no part of the claimed design.

1 Claim, 14 Drawing Sheets



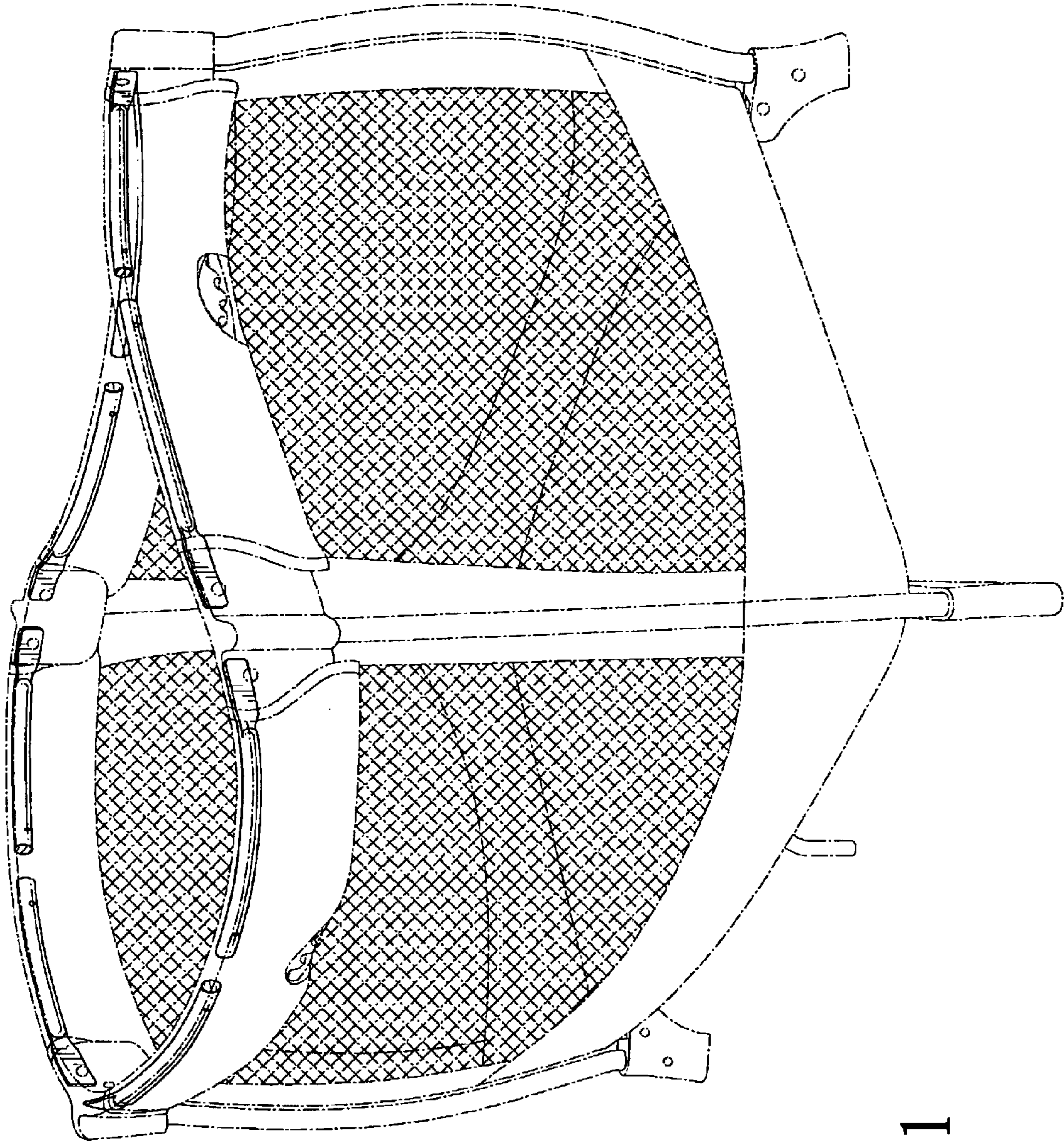


FIG. 1

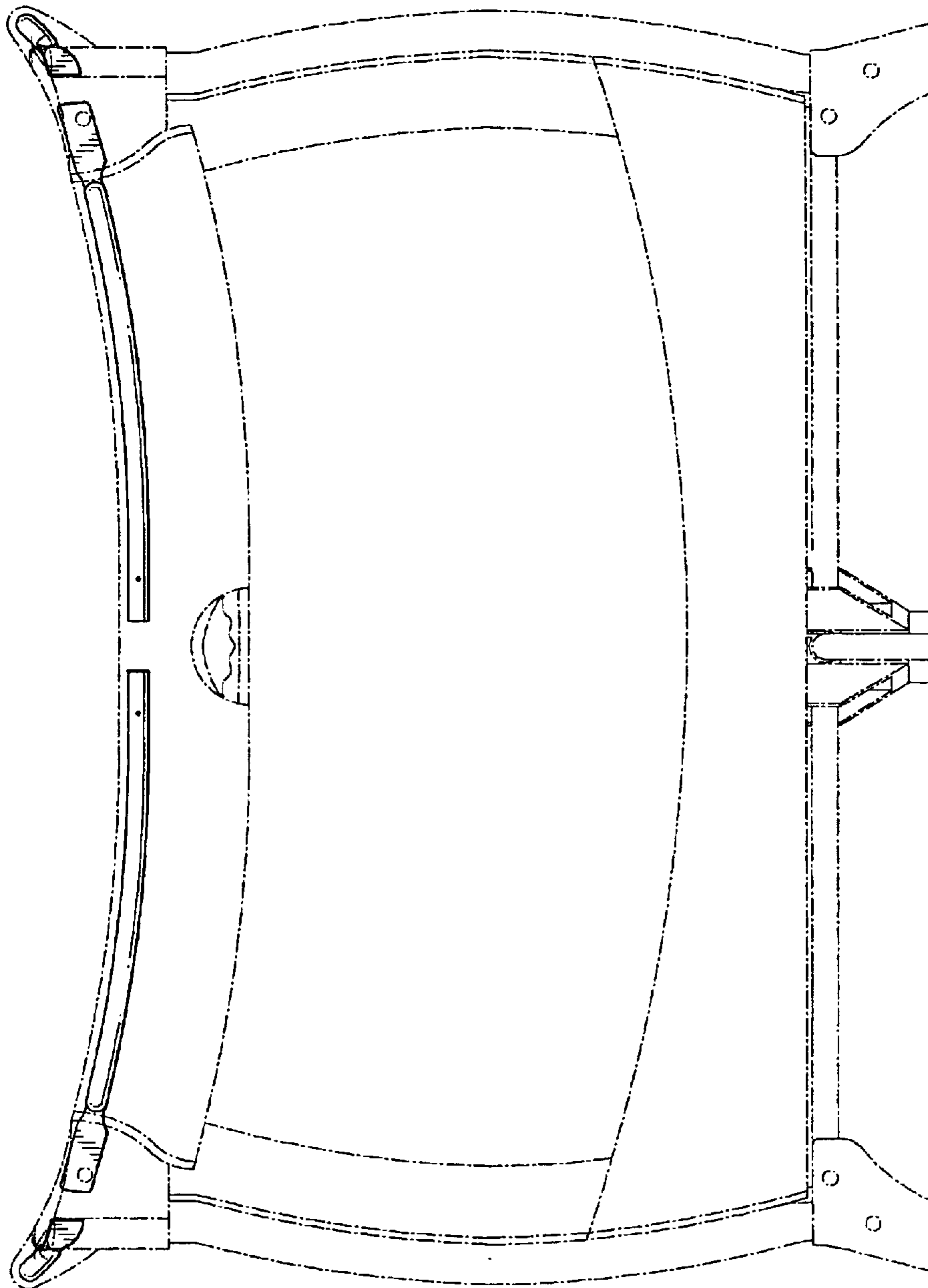


FIG. 2

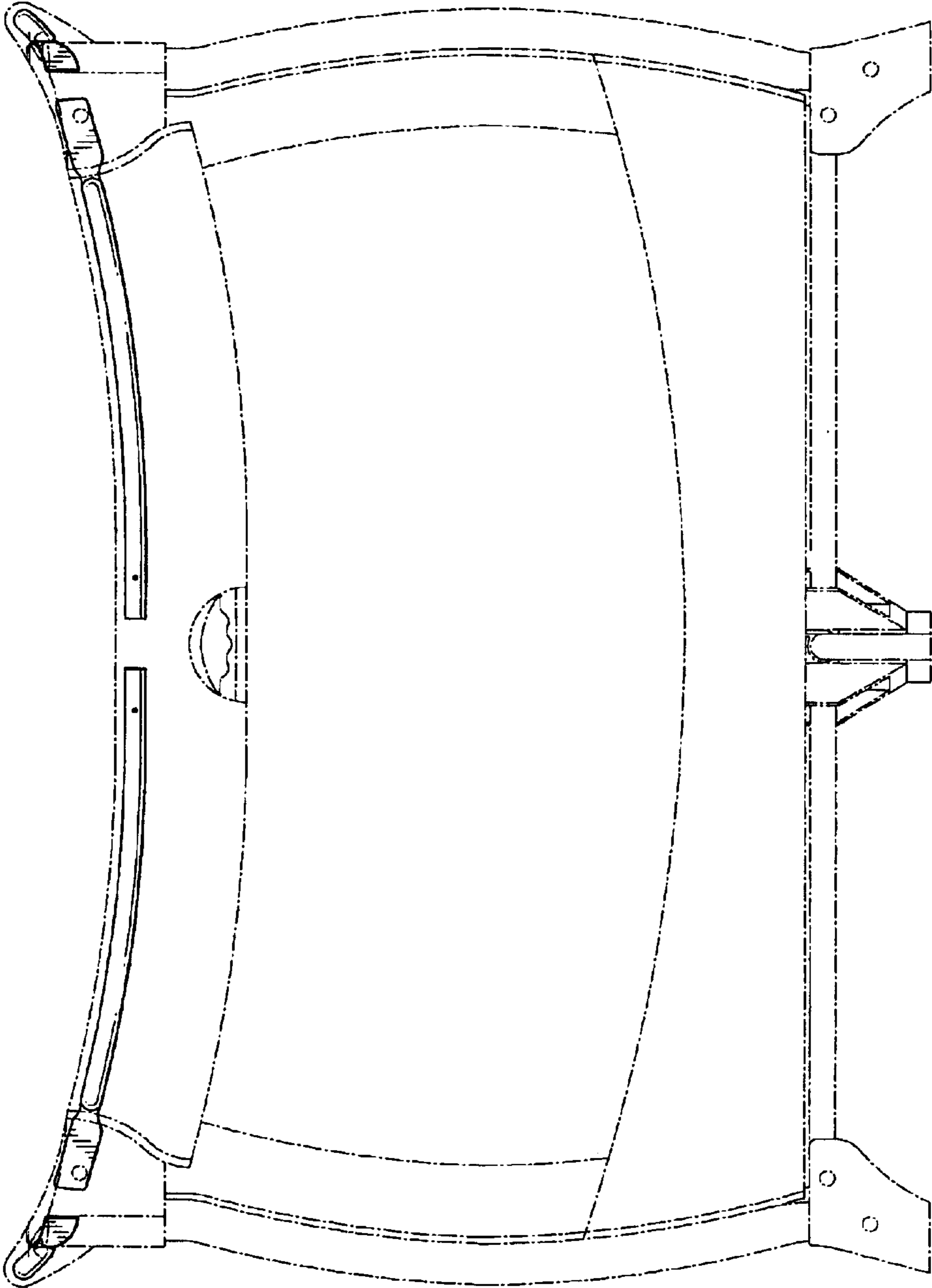


FIG. 3

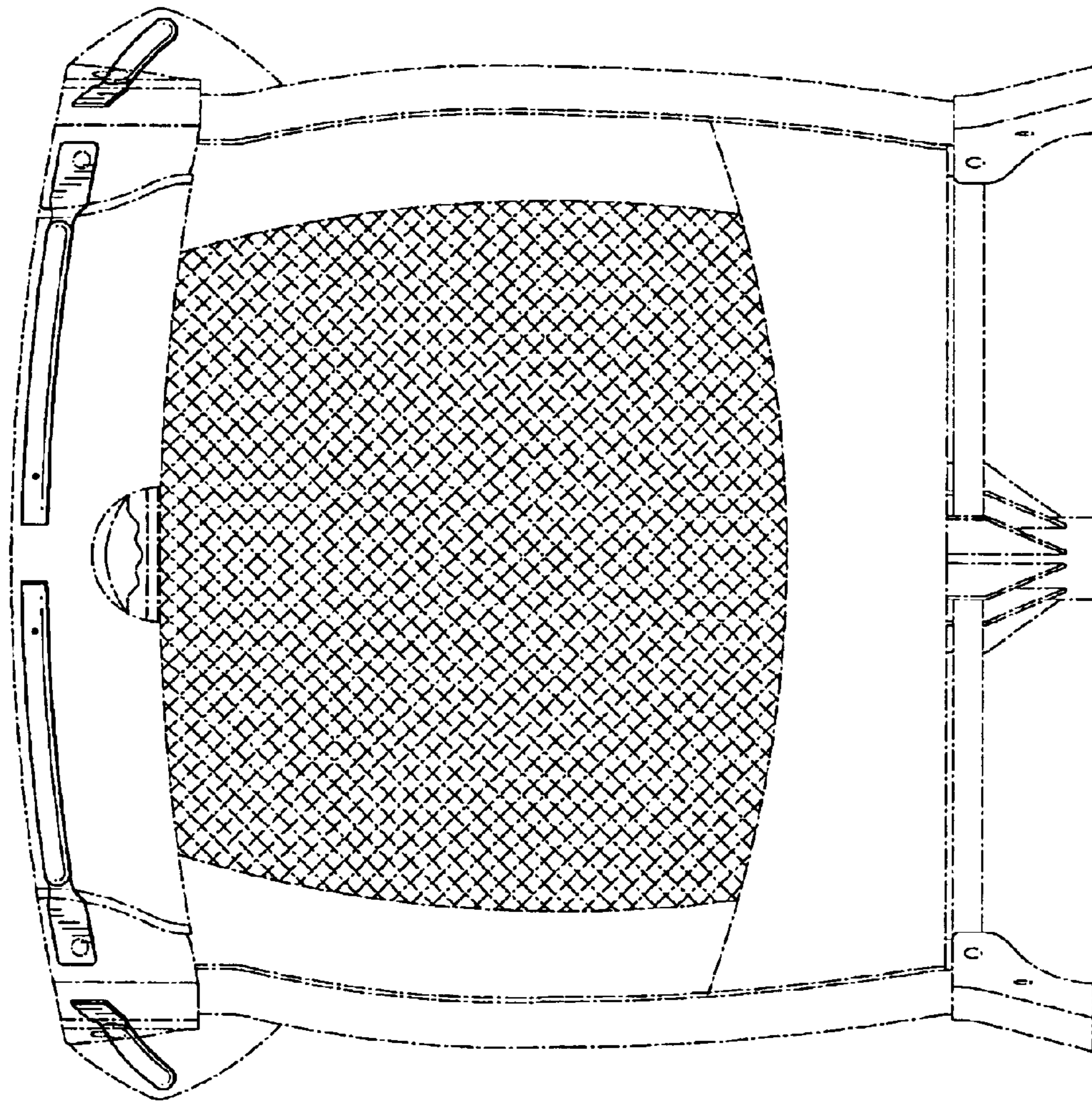


FIG. 4

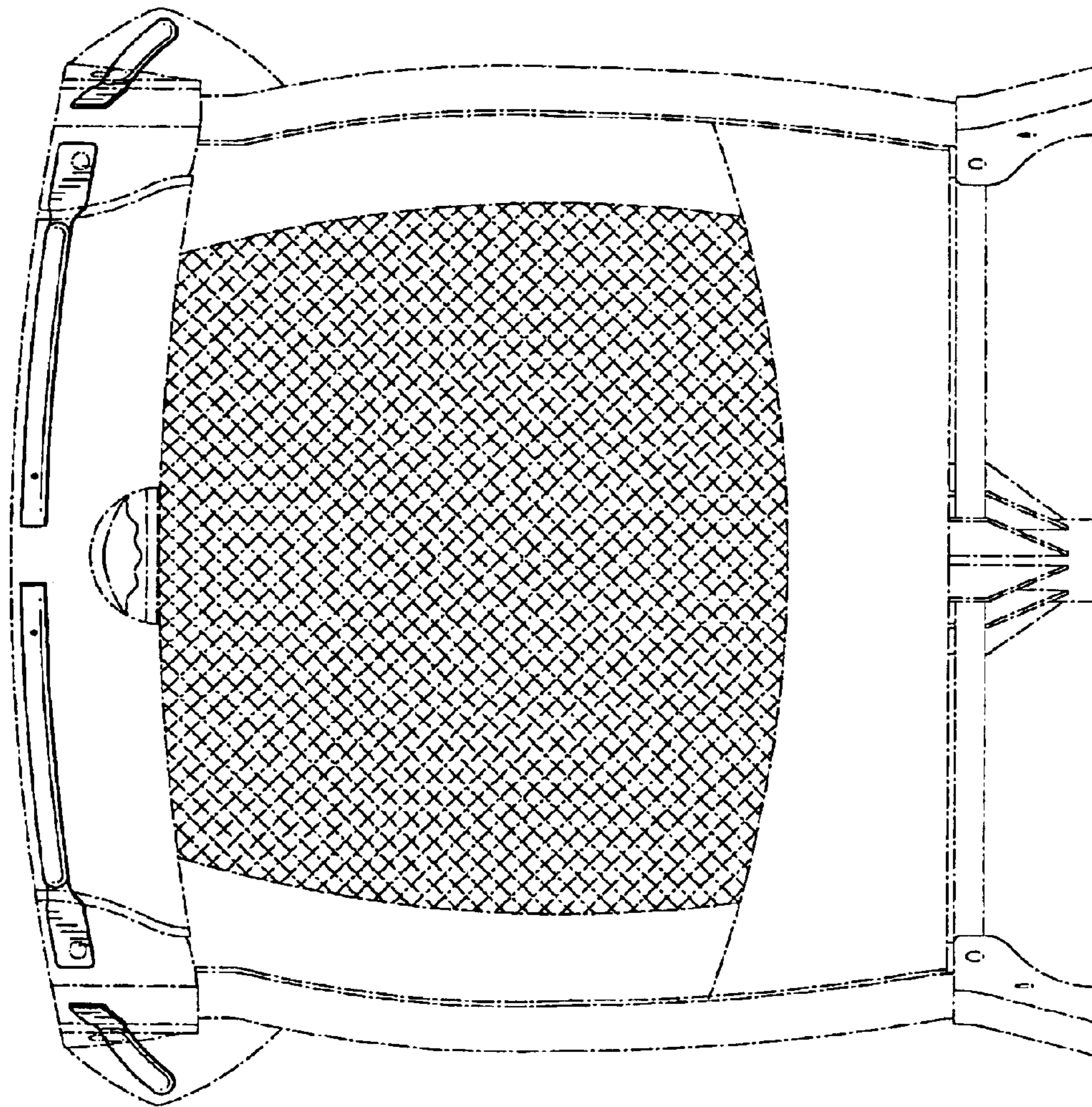


FIG. 5



FIG. 6

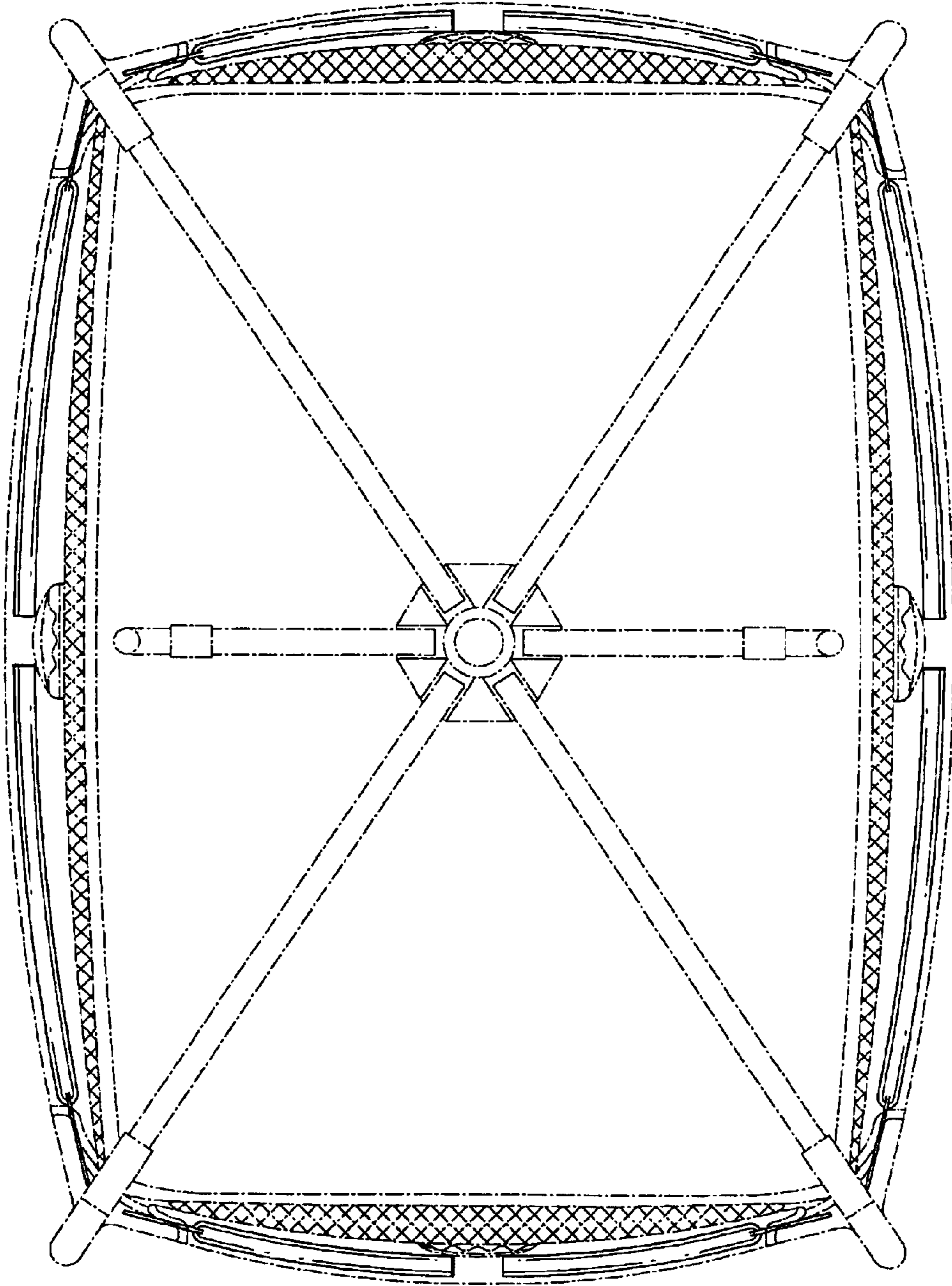


FIG. 7

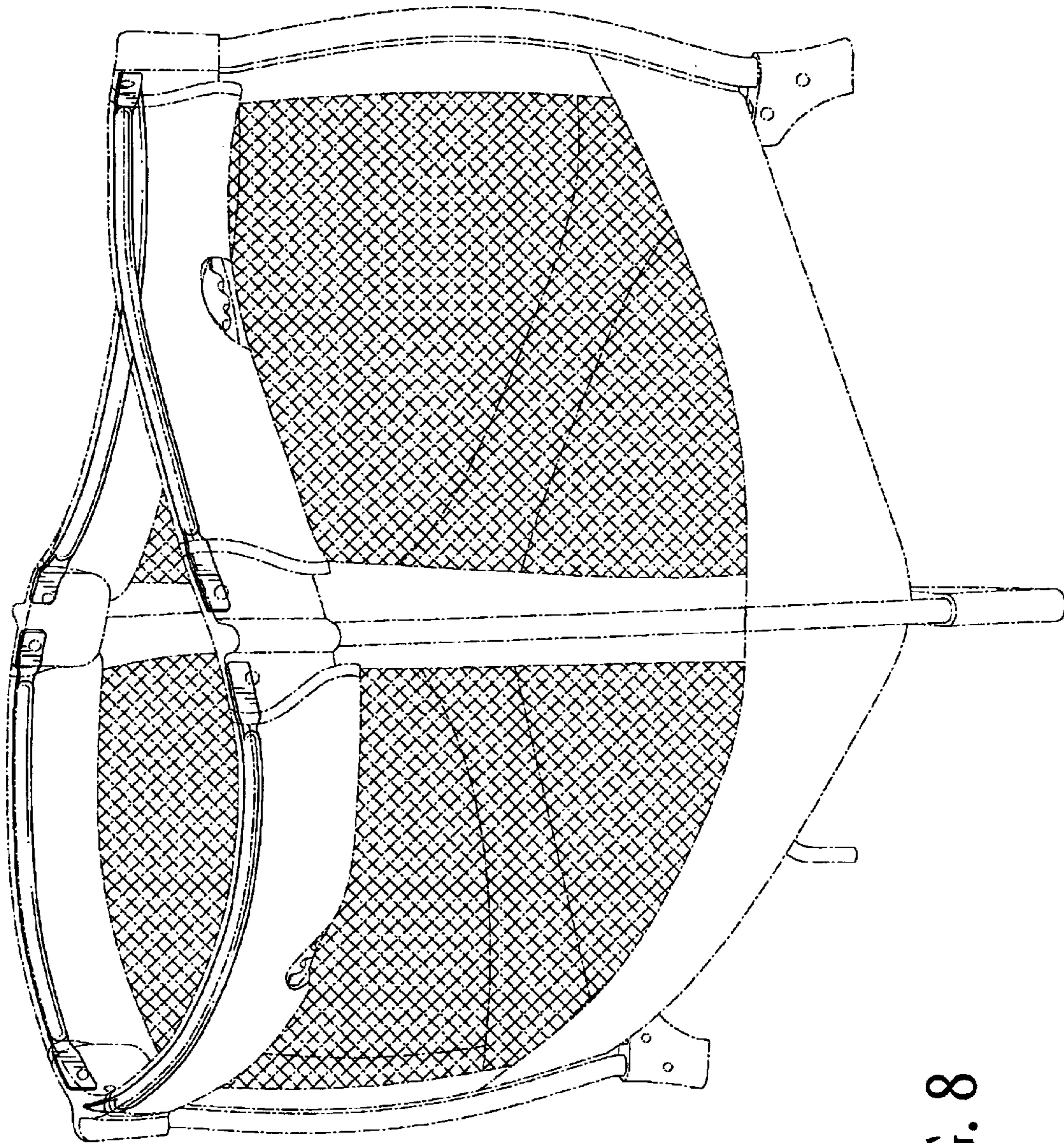


FIG. 8

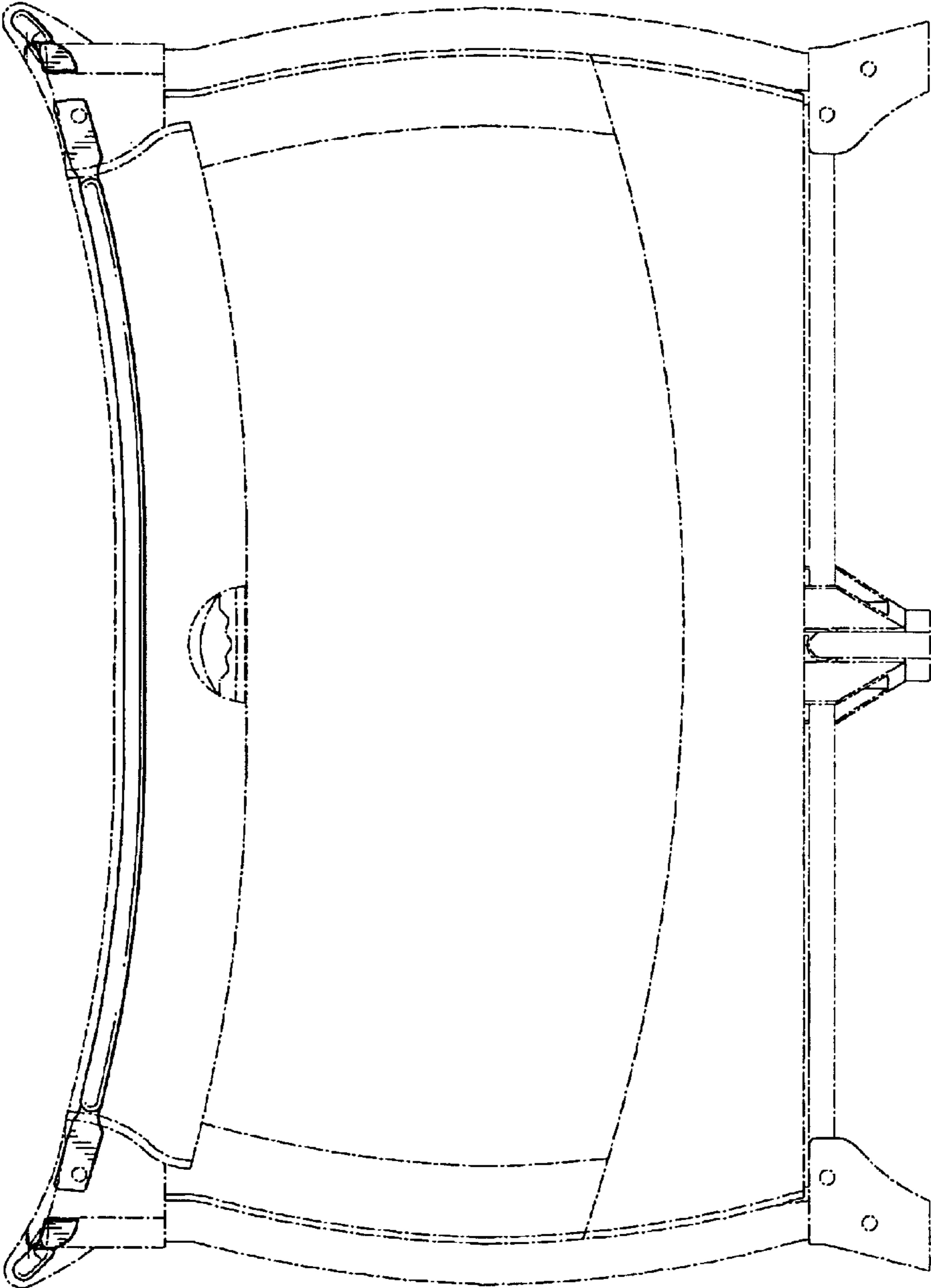


FIG. 9

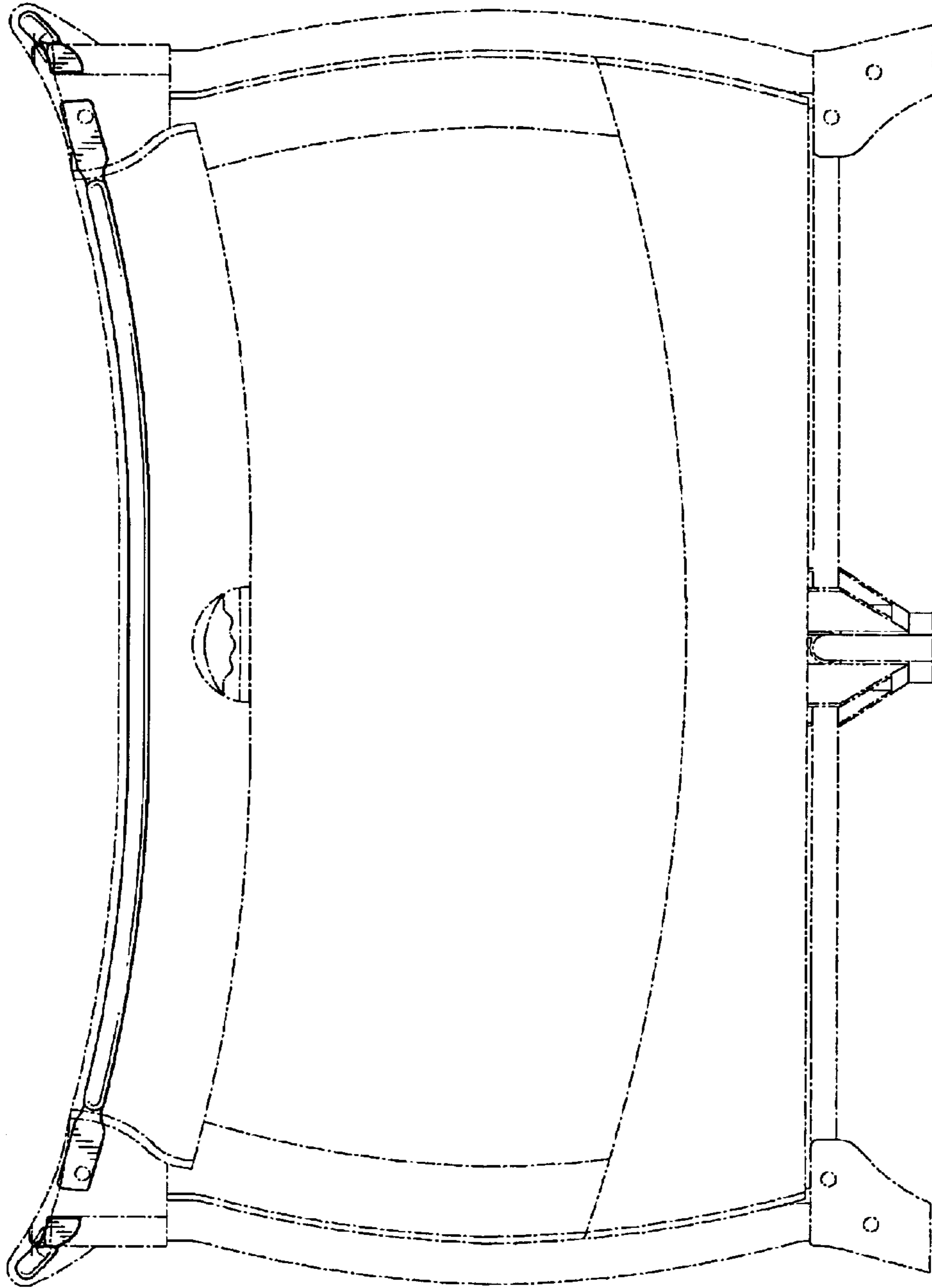


FIG. 10

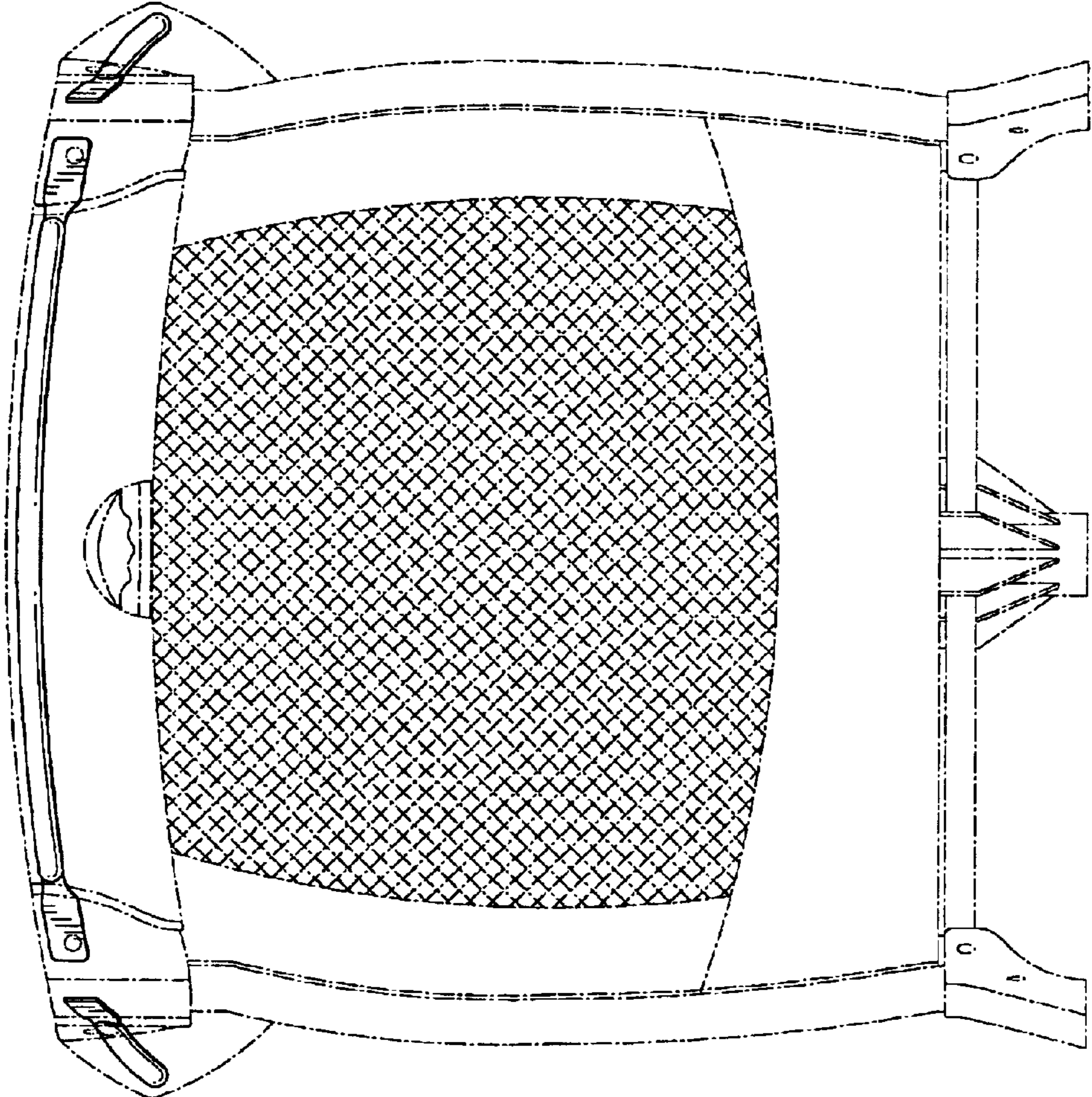


FIG. 11

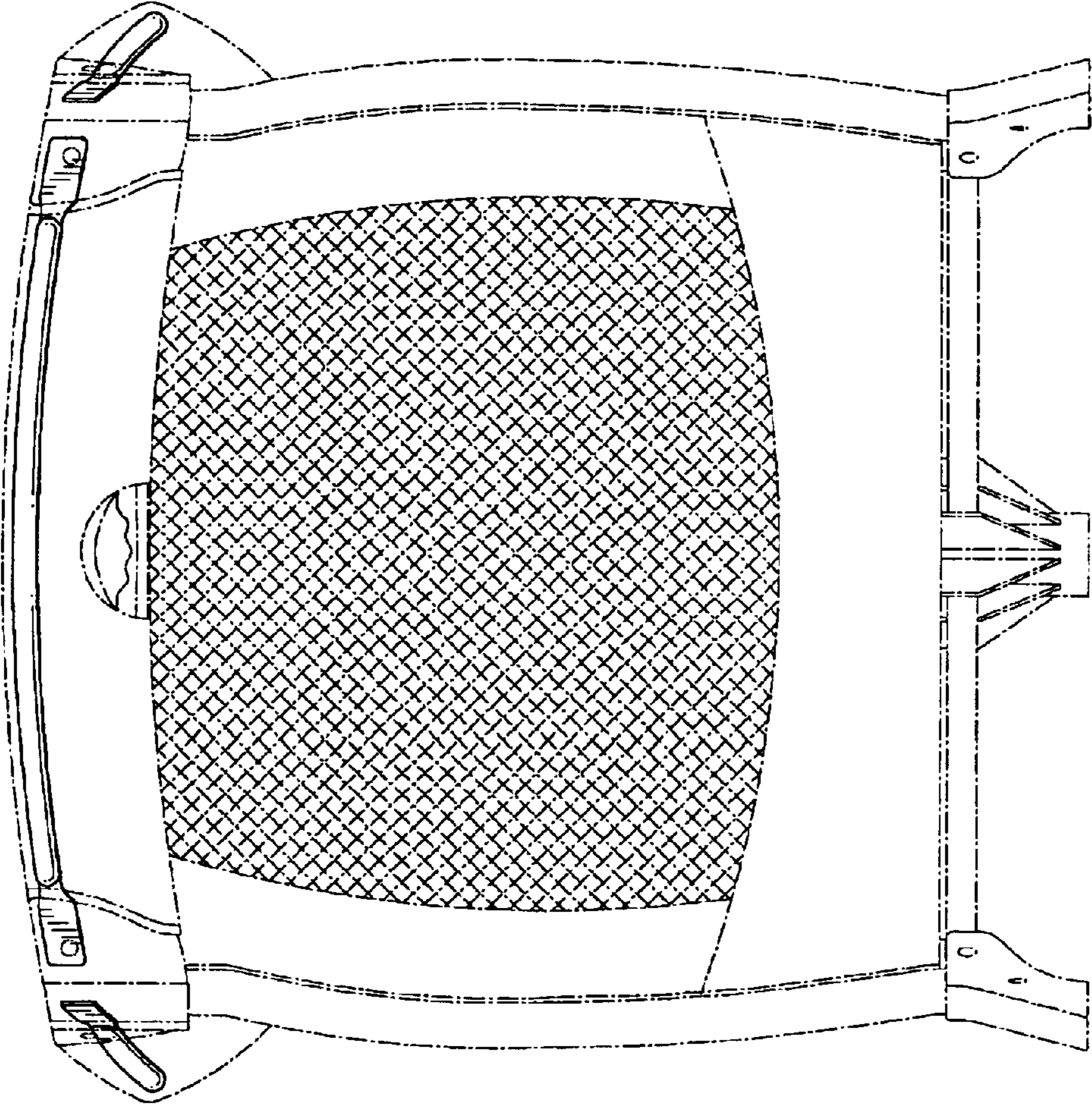


FIG. 12



FIG. 13

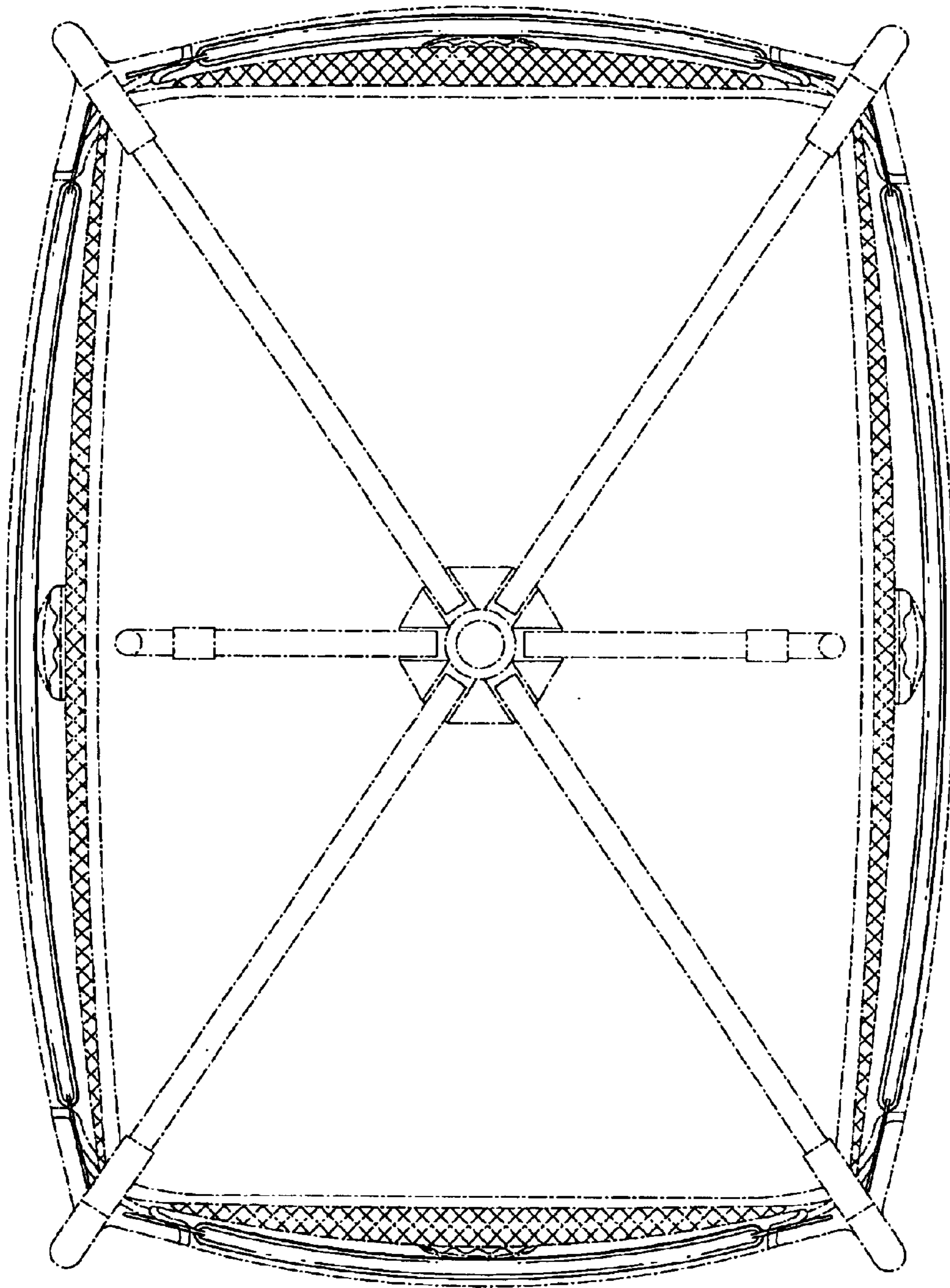


FIG. 14