

US00D494390S1

(12) **United States Design Patent**
True

(10) **Patent No.:** **US D494,390 S**

(45) **Date of Patent:** **** Aug. 17, 2004**

(54) **BACK AND SEAT CUSHIONS FOR A CHAIR**

D471,728 S * 3/2003 Tseng D6/366
D481,231 S * 10/2003 True D6/500

(75) **Inventor:** **Alan L. True**, San Juan Capistrano, CA (US)

* cited by examiner

(73) **Assignee:** **True Seating Concepts, LLC (MU)**

Primary Examiner—Gary D. Watson

(74) *Attorney, Agent, or Firm*—Morland C. Fischer

(**) **Term:** **14 Years**

(57) **CLAIM**

(21) **Appl. No.:** **29/195,891**

The ornamental design for back and seat cushions for a chair, as shown and described.

(22) **Filed:** **Dec. 19, 2003**

DESCRIPTION

(51) **LOC (7) Cl.** **06-01**

(52) **U.S. Cl.** **D6/500; D6/366; D6/502**

(58) **Field of Search** D6/334, 335, 364, D6/365, 366, 367, 500, 501, 502; 297/411.2, 411.27

FIG. 1 is a perspective view showing the top, left side and front of a chair having the back and seat cushions which form my new design, the broken lines of other parts of the chair in this and other figures being for illustrative purposes only and forming no part of the claimed design;

FIG. 2 is a perspective view showing the top, left side and rear thereof;

FIG. 3 is a front elevational view;

FIG. 4 is a right side elevational view thereof;

FIG. 5 is a rear elevational view thereof;

FIG. 6 is a left side elevational view thereof;

FIG. 7 is a top plan view thereof; and,

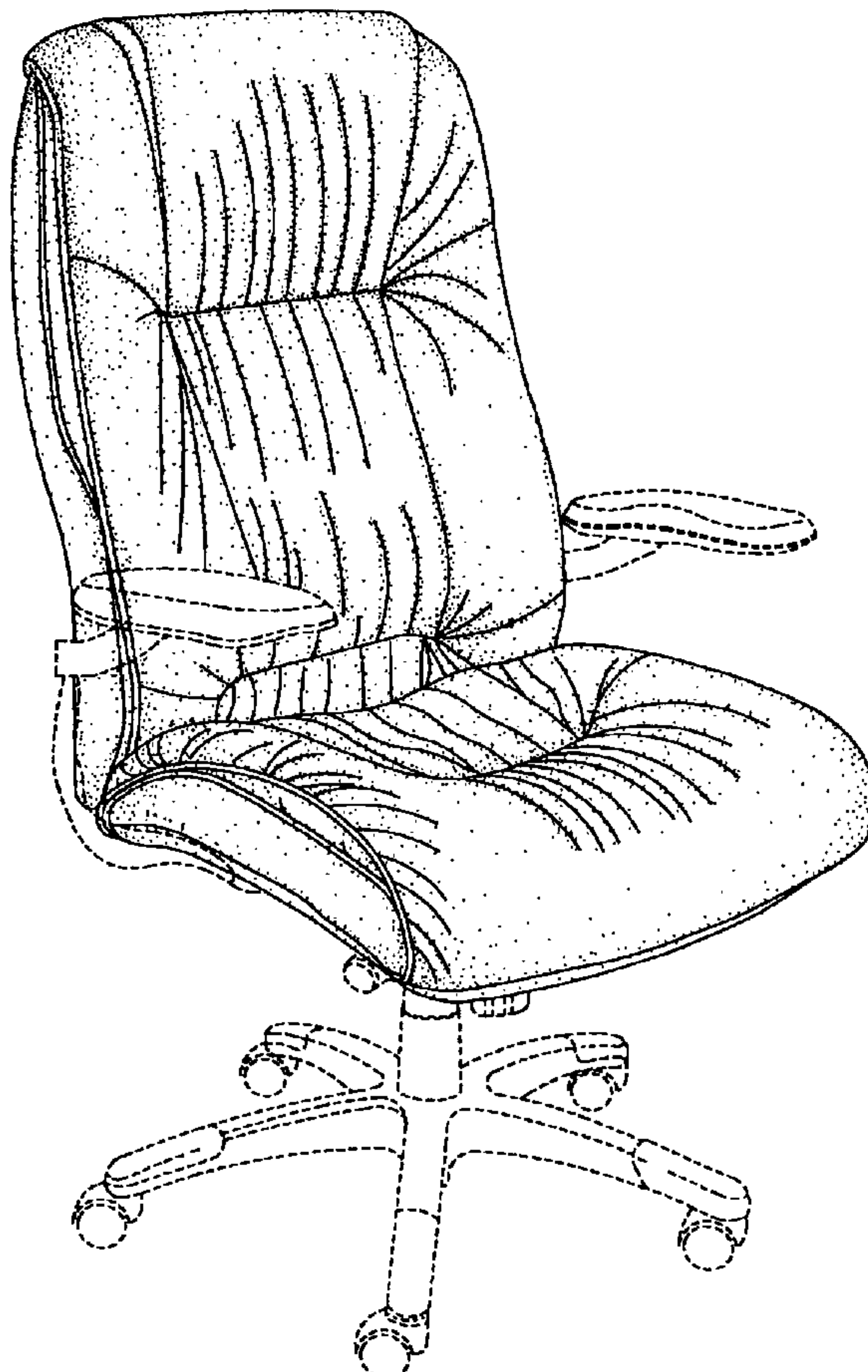
FIG. 8 is a bottom plan view thereof.

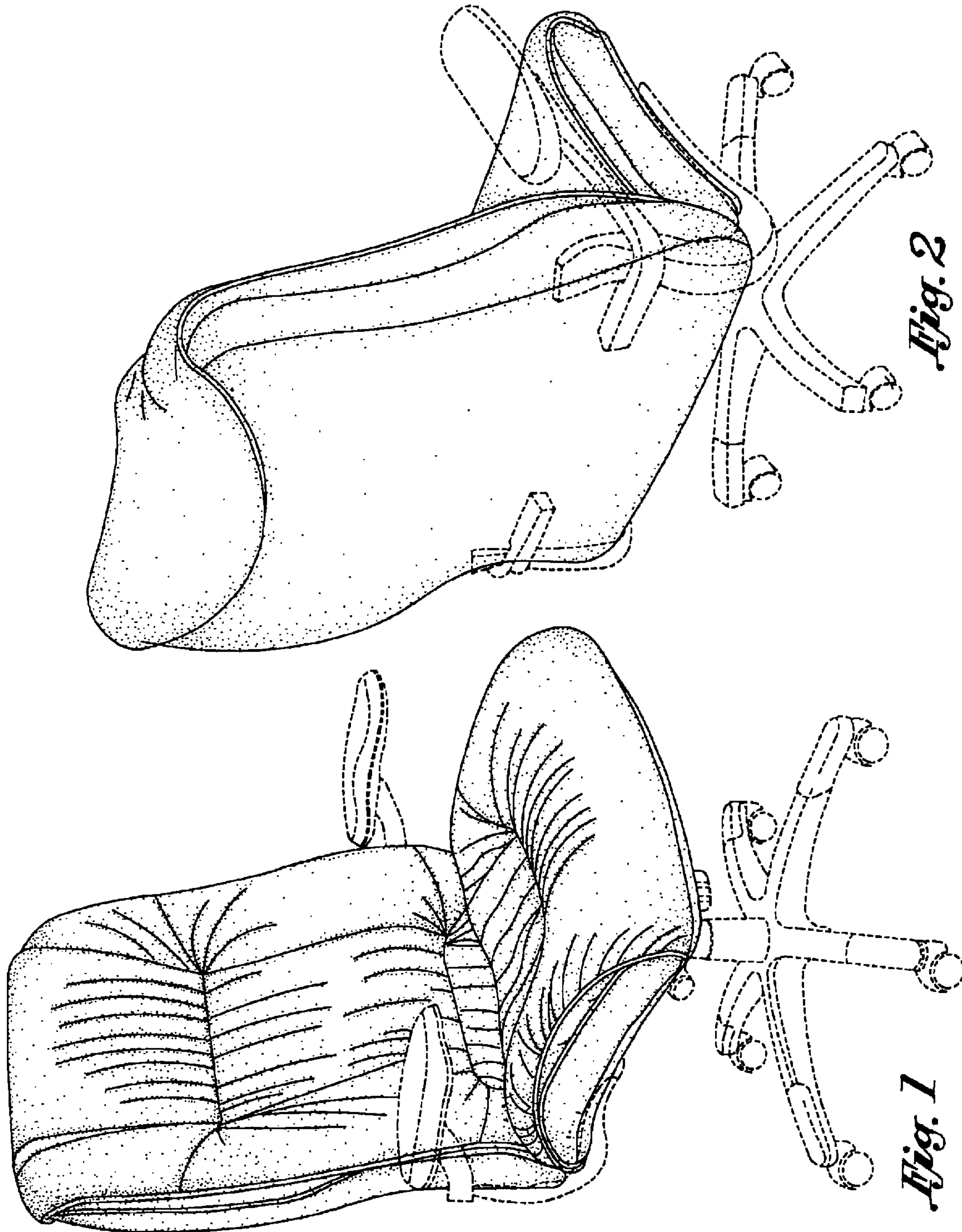
(56) **References Cited**

U.S. PATENT DOCUMENTS

D372,799 S	*	8/1996	Orians et al.	D6/366
D414,630 S	*	10/1999	Buscio et al.	D6/500
D415,373 S	*	10/1999	Zaidman	D6/500
D437,130 S	*	2/2001	Tseng	D6/366
D444,637 S	*	7/2001	Tseng	D6/366
D446,410 S	*	8/2001	Chen	D6/500
D467,442 S	*	12/2002	Zaidman	D6/366

1 Claim, 4 Drawing Sheets





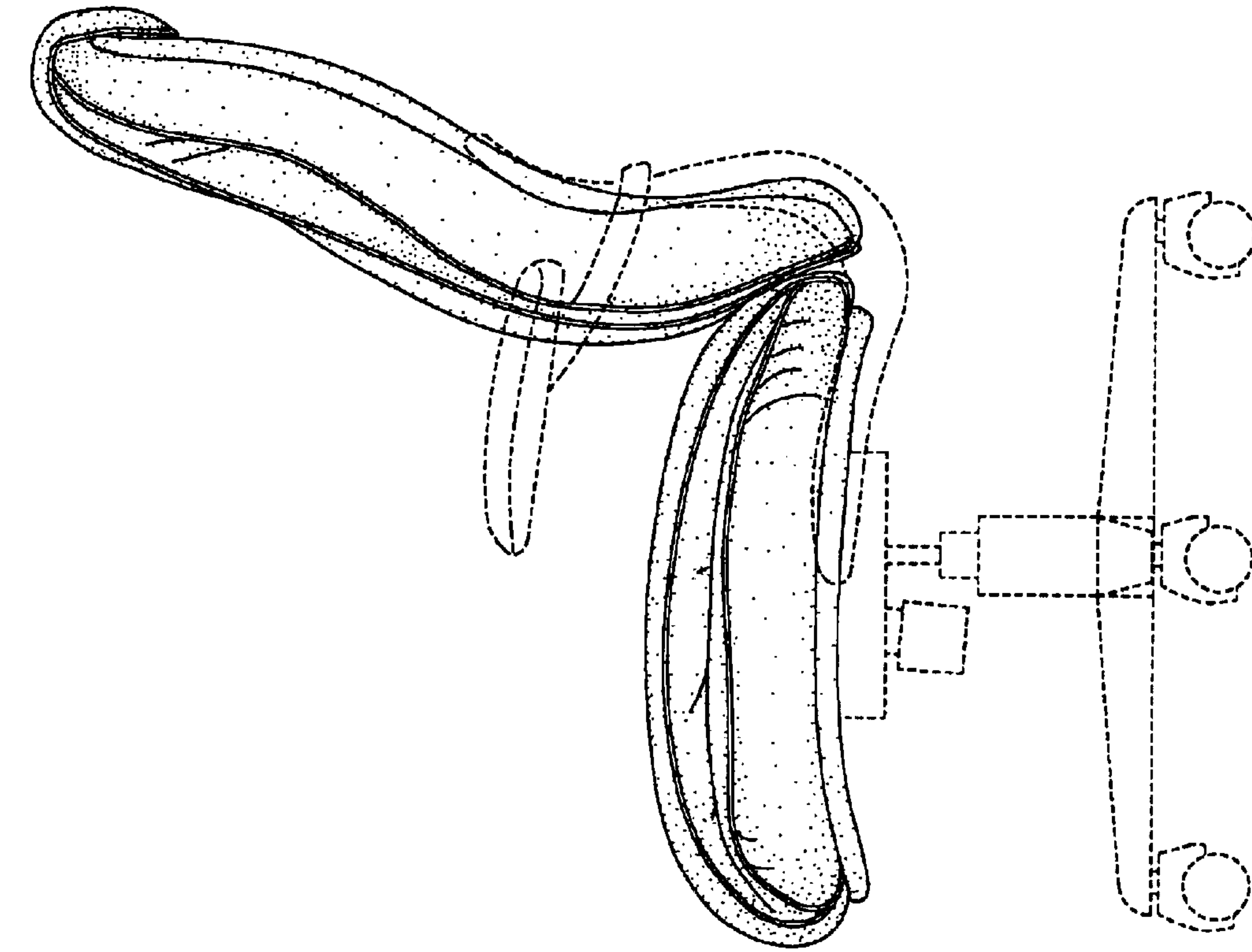


Fig. 4

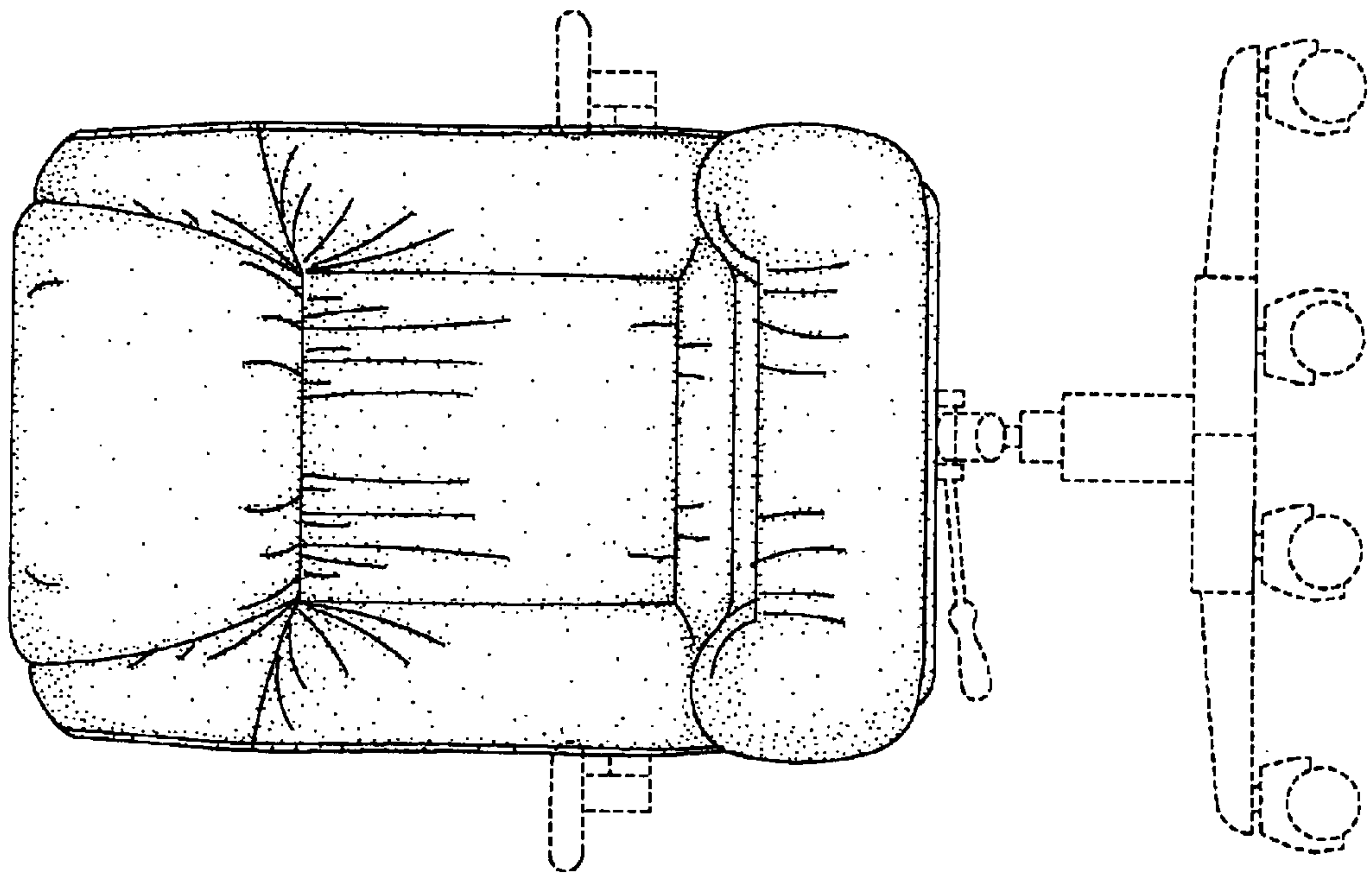


Fig. 3

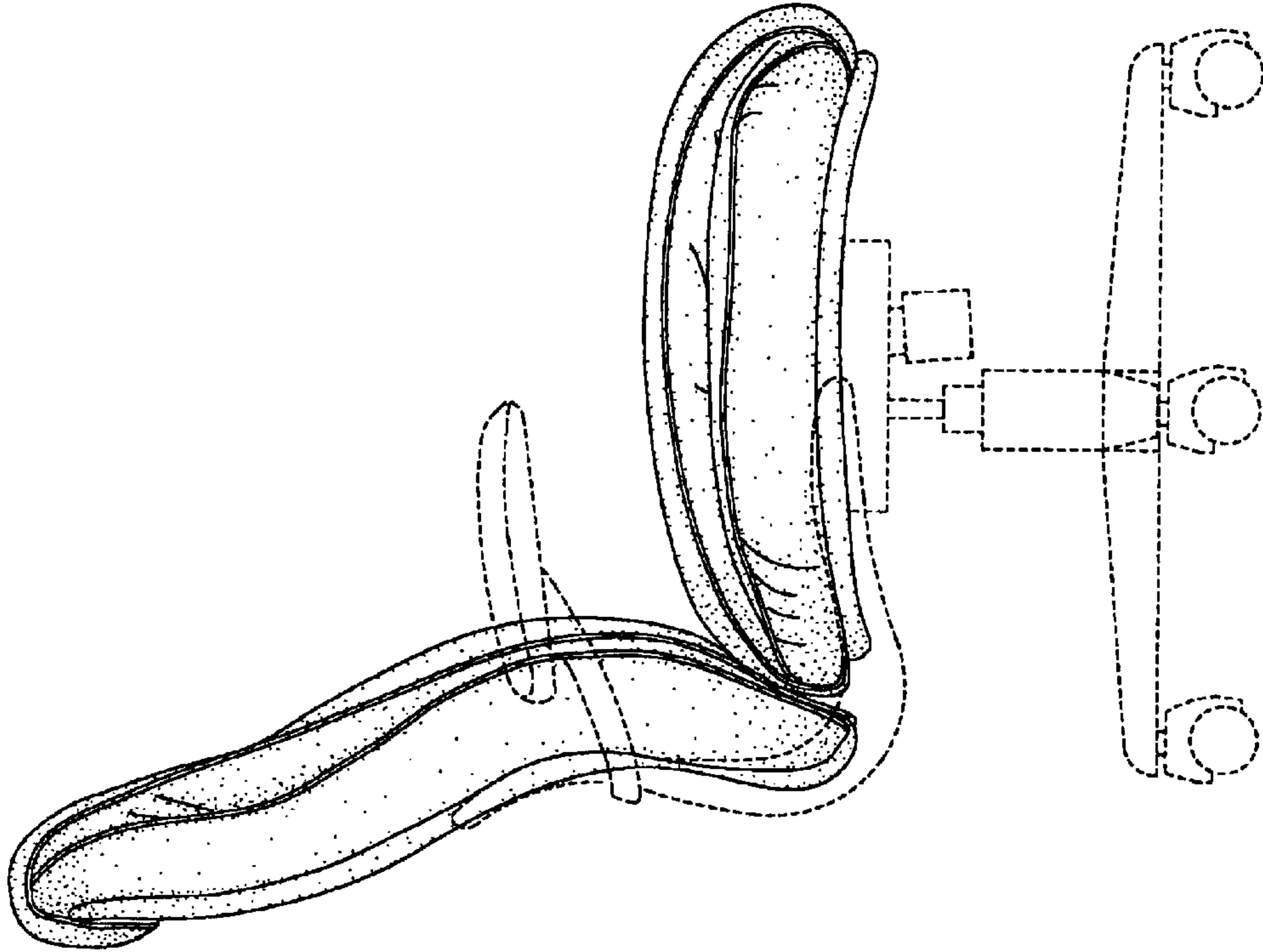


Fig. 5

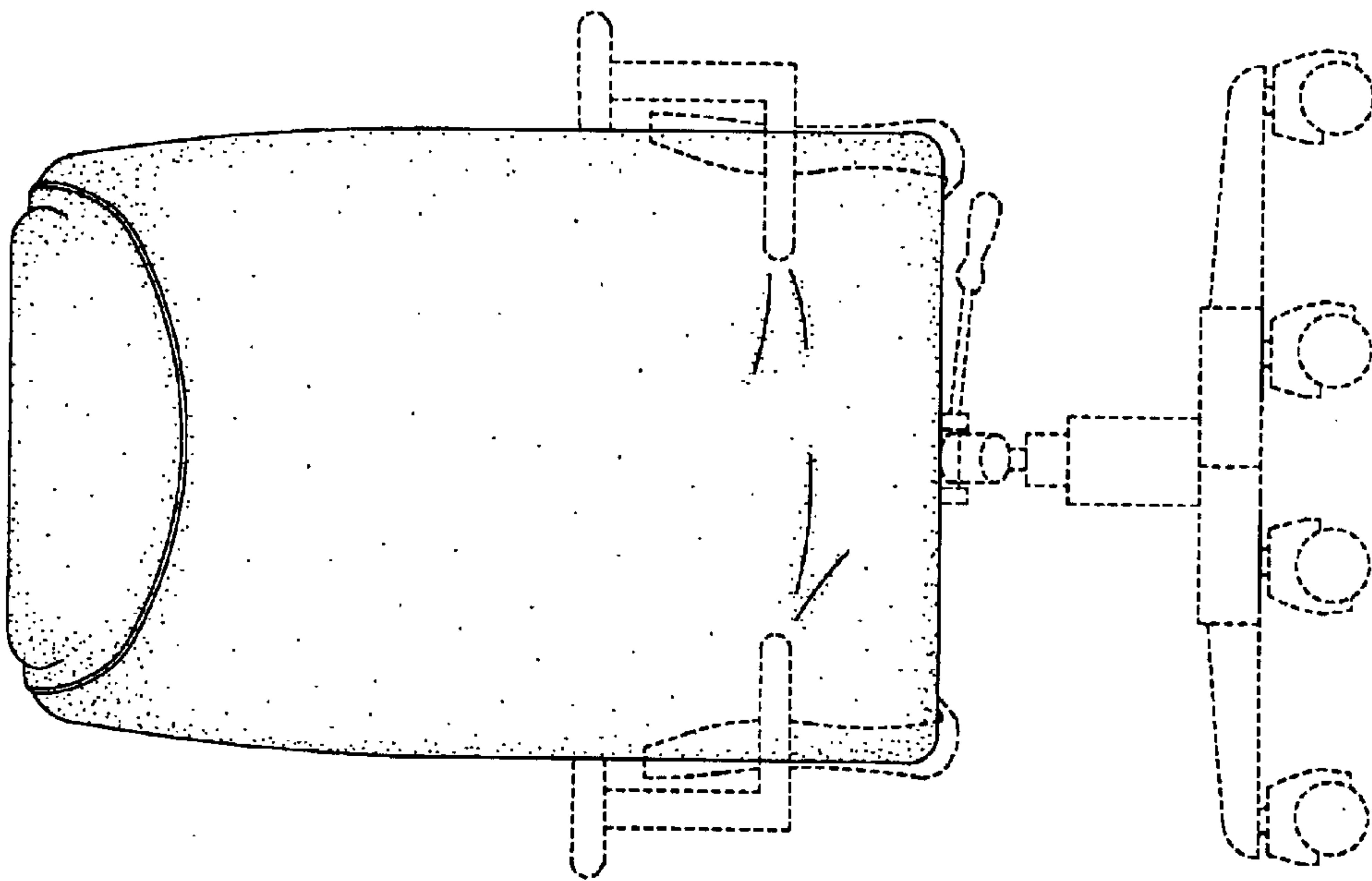


Fig. 6

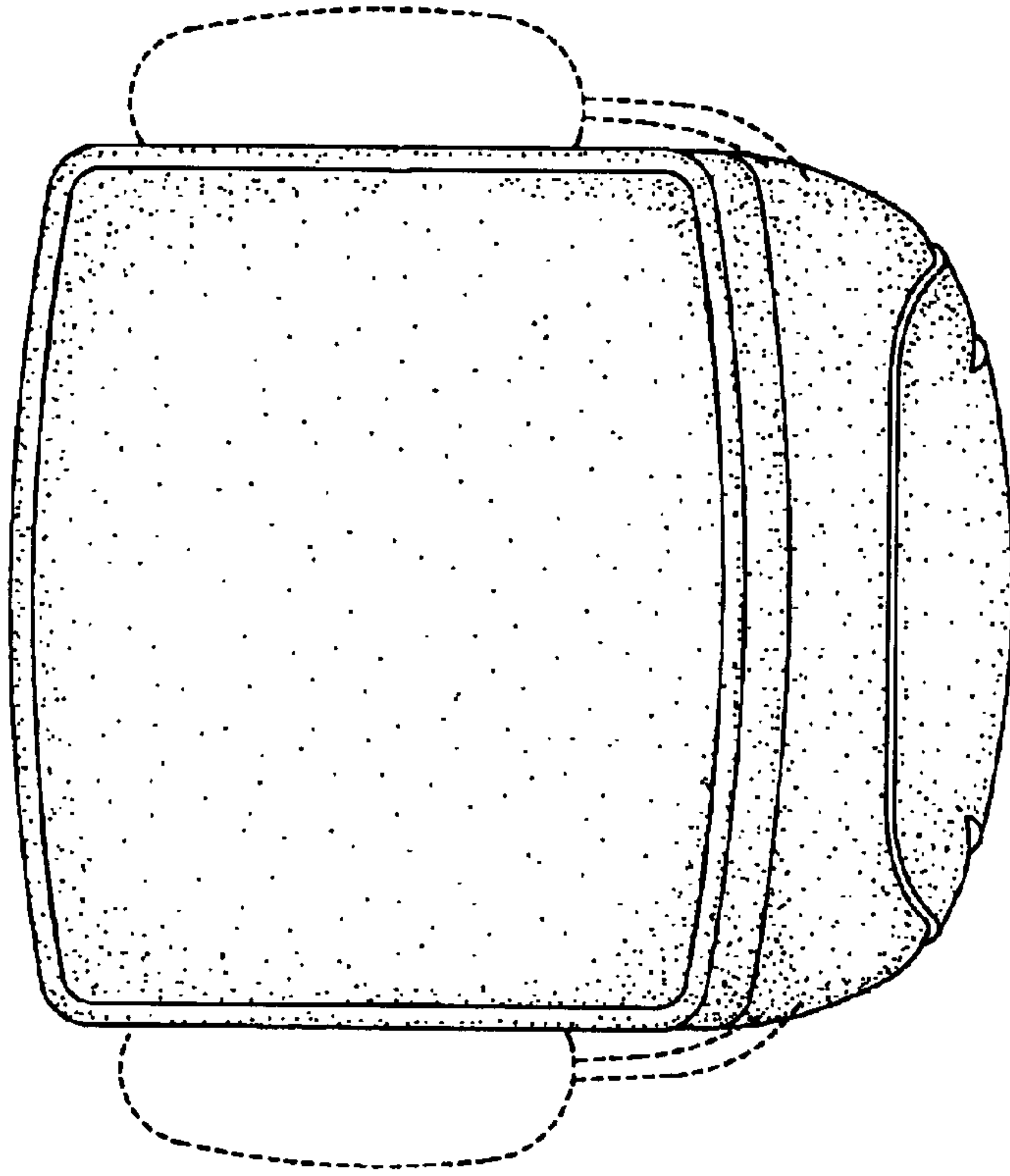


Fig. 8

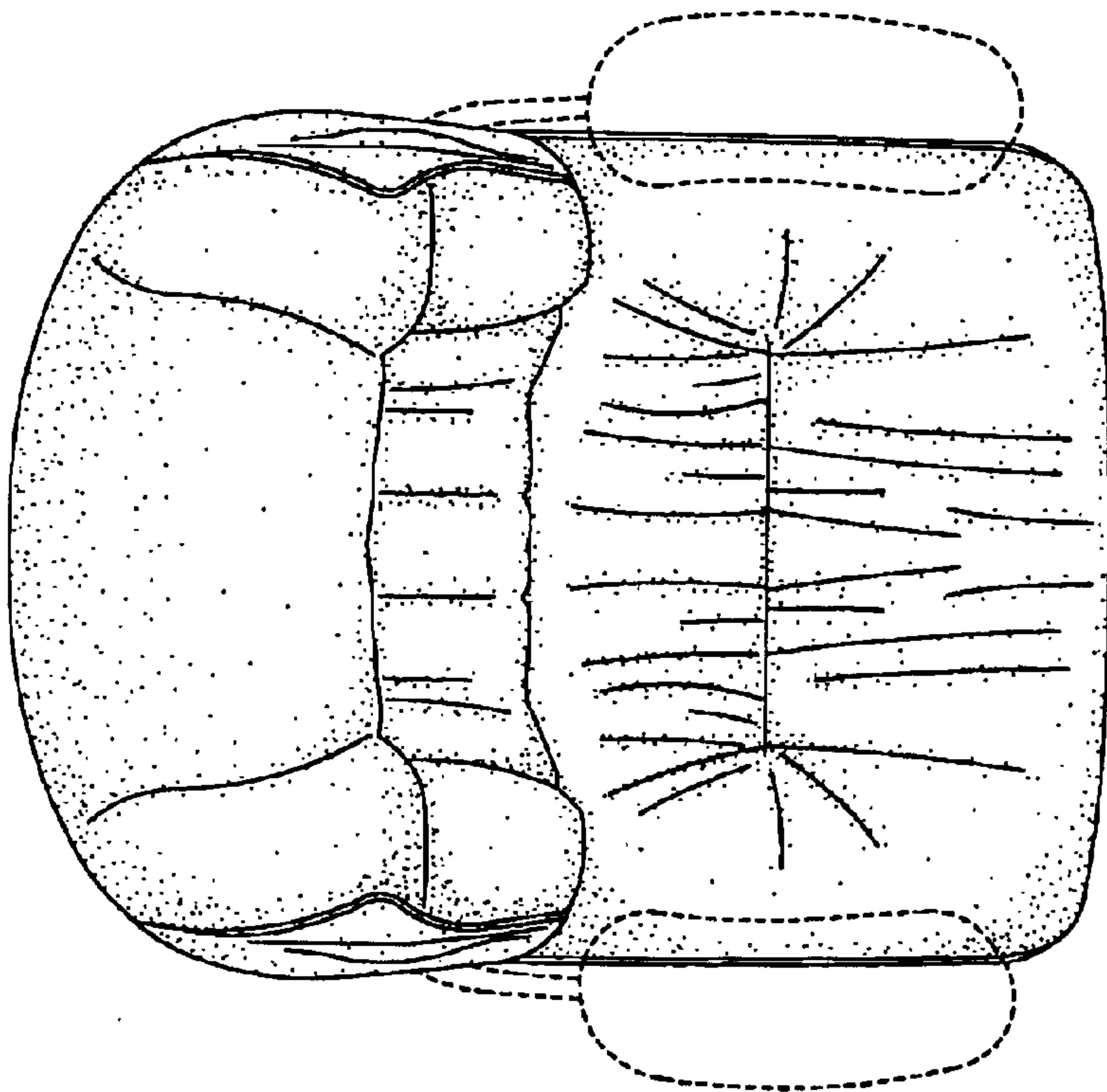


Fig. 7