



US00D494386S1

(12) **United States Design Patent** (10) **Patent No.:** **US D494,386 S**
Locker et al. (45) **Date of Patent:** **** Aug. 17, 2004**

(54) **MODEL DISPLAY CASE**

(76) Inventors: **Billy Locker**, 344 Lees Creek Rd.,
Fayetteville, TN (US) 37334; **Steve
Branch**, 119 Simmons Cir.,
Fayetteville, TN (US) 37334

(**) Term: **14 Years**

(21) Appl. No.: **29/179,379**

(22) Filed: **Apr. 9, 2003**

(51) **LOC (7) Cl.** **06-04**

(52) **U.S. Cl.** **D6/472**

(58) **Field of Search** D6/470-472; 211/85.4;
312/114, 116, 137, 138.1

(56) **References Cited**

U.S. PATENT DOCUMENTS

D133,495 S	*	8/1942	Meyer	D6/470
D251,525 S	*	4/1979	De Zinno	D6/472
D400,374 S	*	11/1998	Gassett et al.	D6/472
D427,809 S	*	7/2000	Osborn et al.	D6/472

* cited by examiner

Primary Examiner—Cathron Brooks

(74) *Attorney, Agent, or Firm*—Lanier Ford Shaver &
Payne P.C.

(57) **CLAIM**

The ornamental design for a model display case, as shown
and described.

DESCRIPTION

FIG. 1 is a left front perspective view of the model display
case, showing my design.

FIG. 2 is a front elevational view thereof.

FIG. 3 is a rear elevational view thereof.

FIG. 4 is a left side elevational view thereof.

FIG. 5 is a right side elevational view thereof.

FIG. 6 is a top plan view thereof.

FIG. 7 is a bottom plan view thereof.

FIG. 8 is a left front perspective view thereof, showing the
model display case with the cover shown in a removed
position; and,

FIG. 9 is a left front perspective view of the model display
case, the broken line showing of a model car being for
illustrative purposes only and forming no part of the claimed
design.

1 Claim, 2 Drawing Sheets

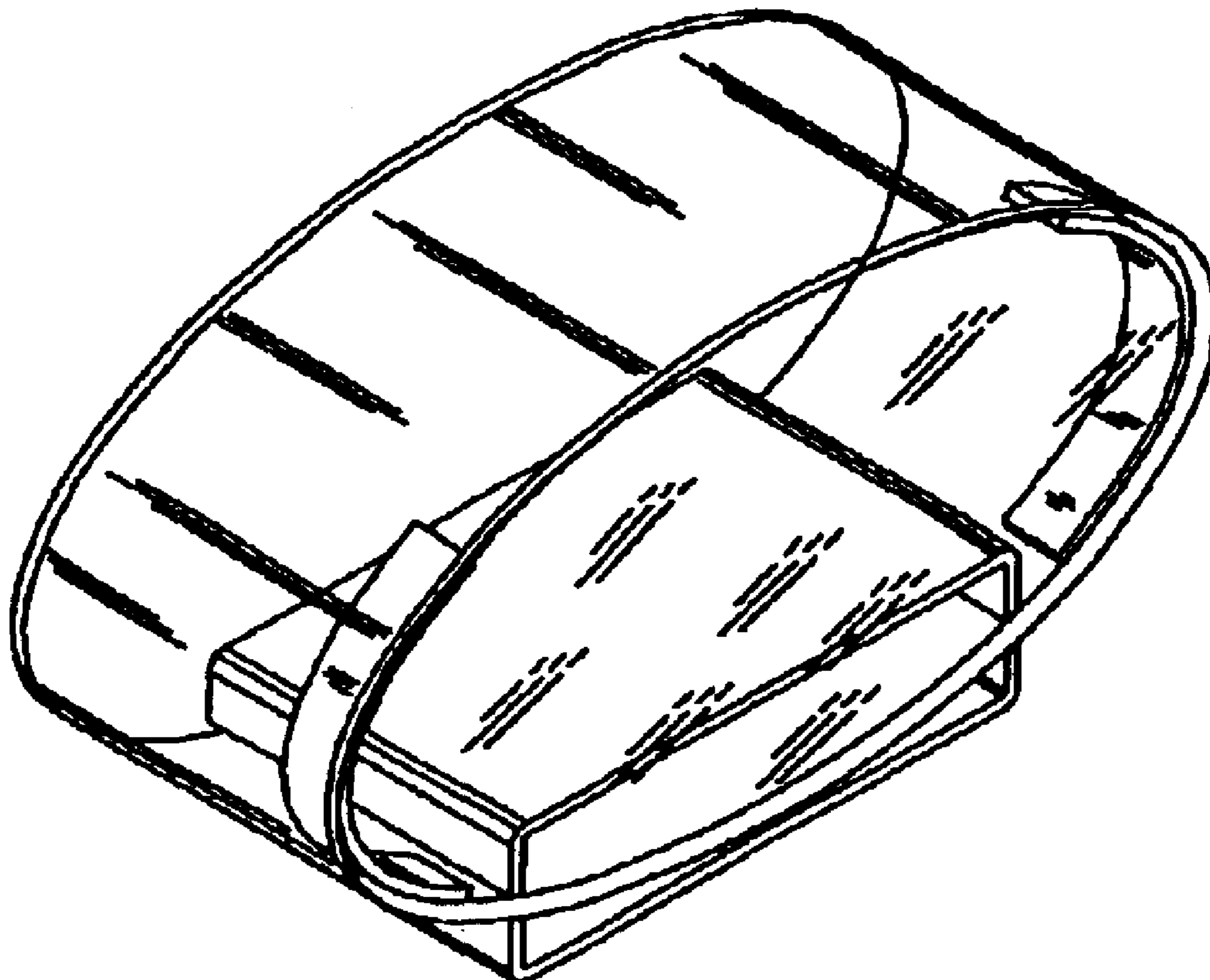


FIG. 1

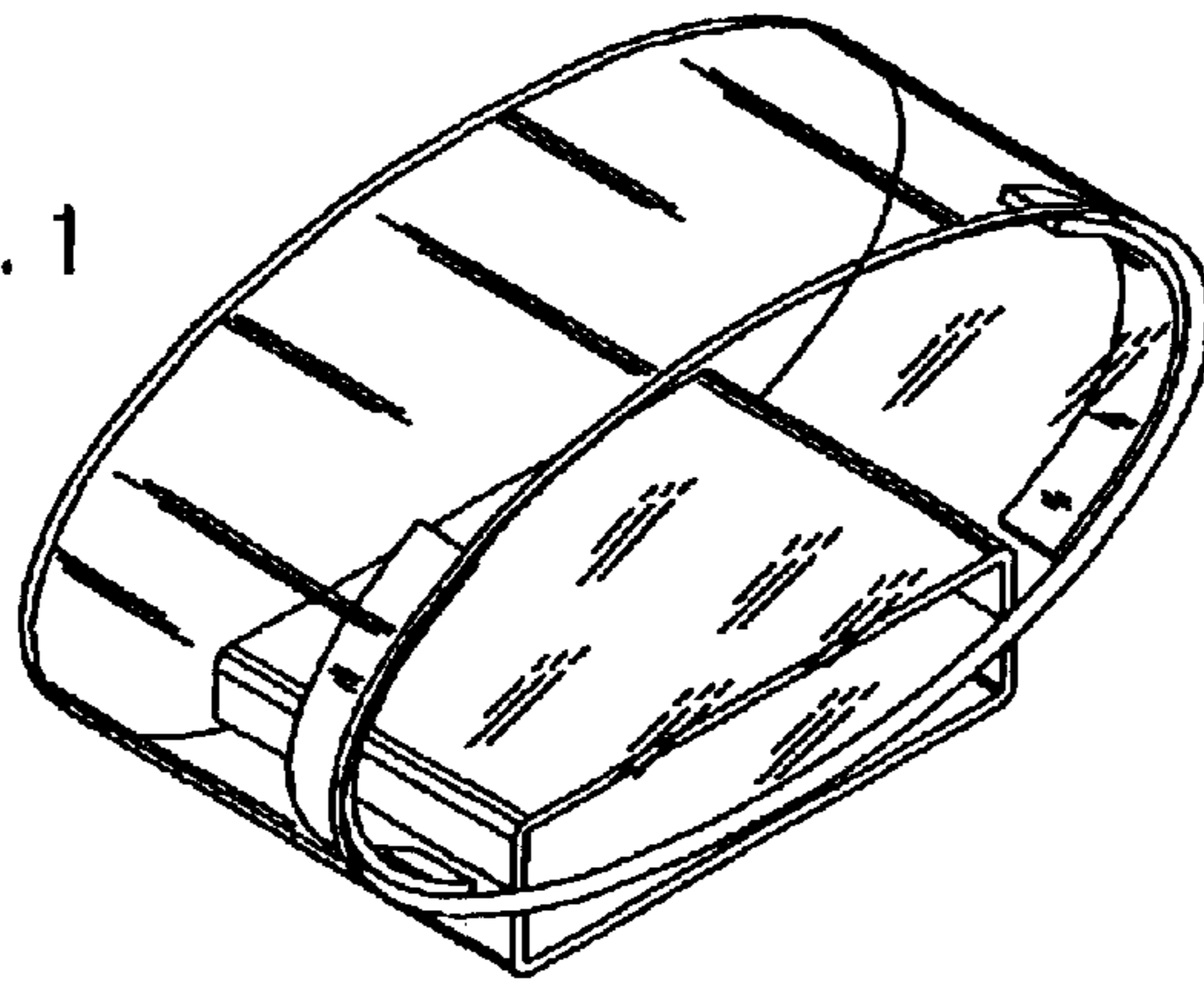


FIG. 2

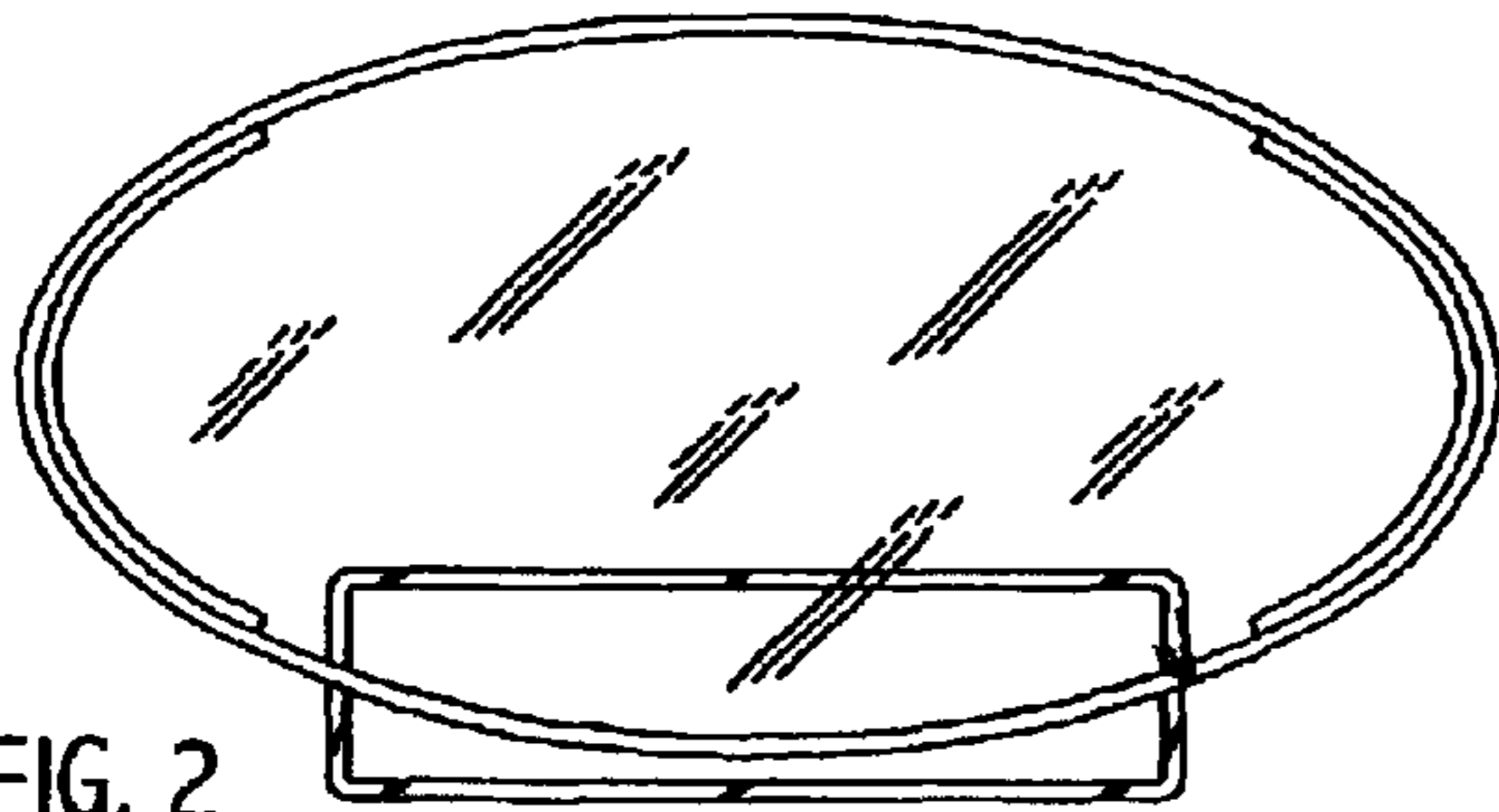


FIG. 3

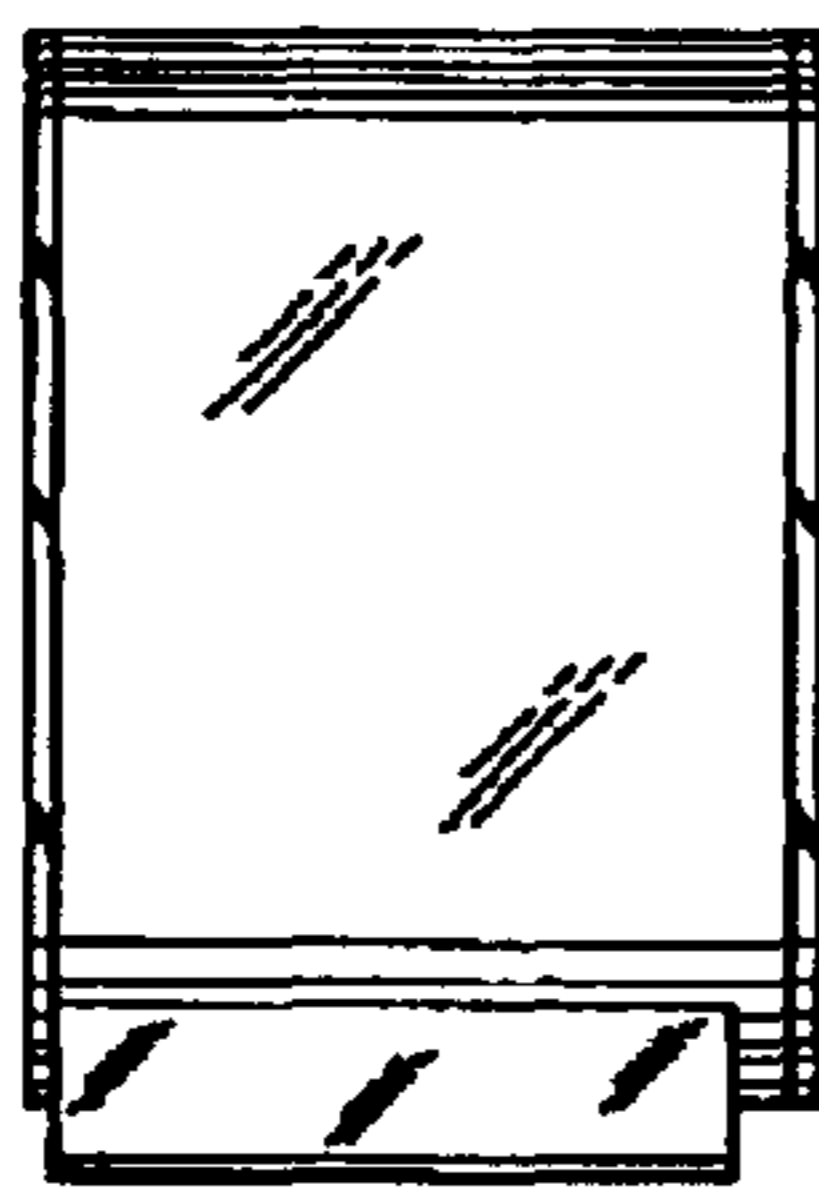
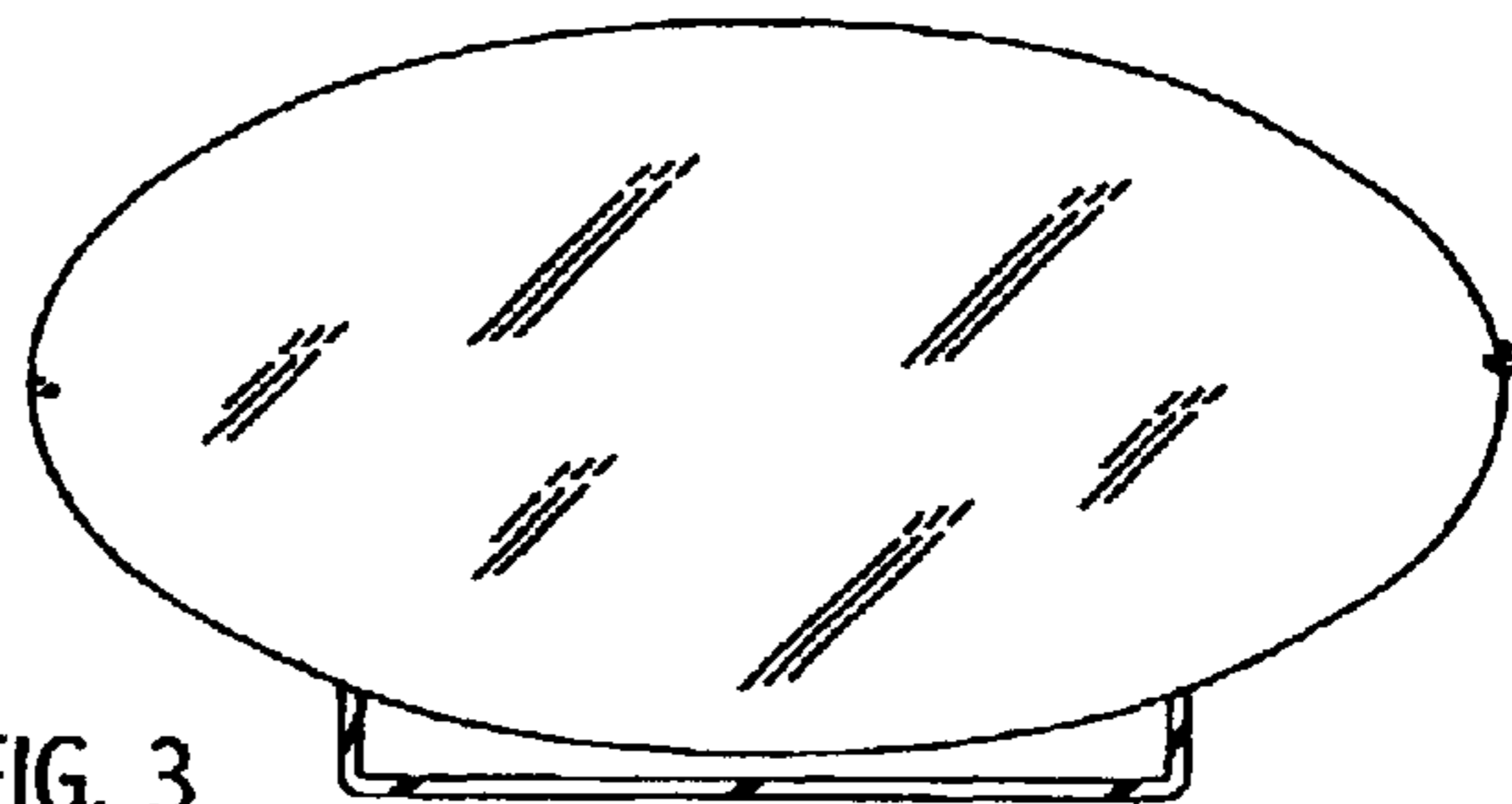


FIG. 4

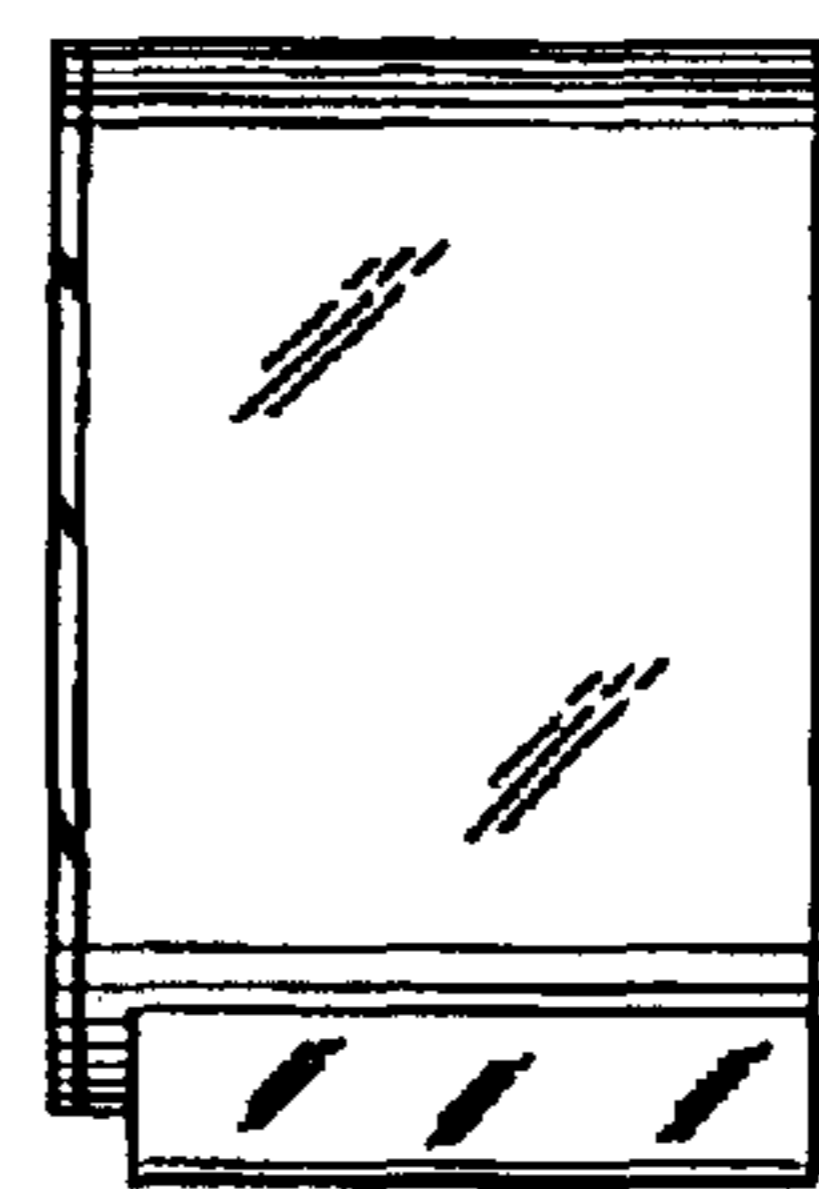


FIG. 5

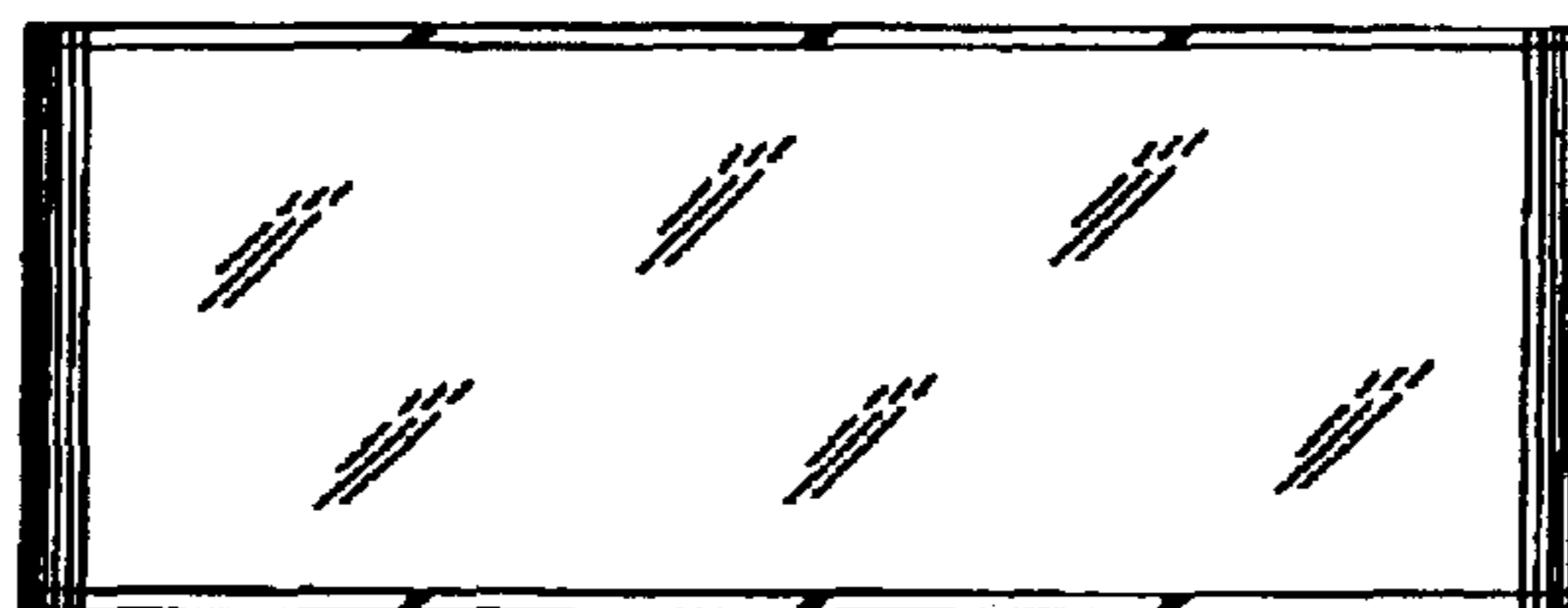


FIG. 6

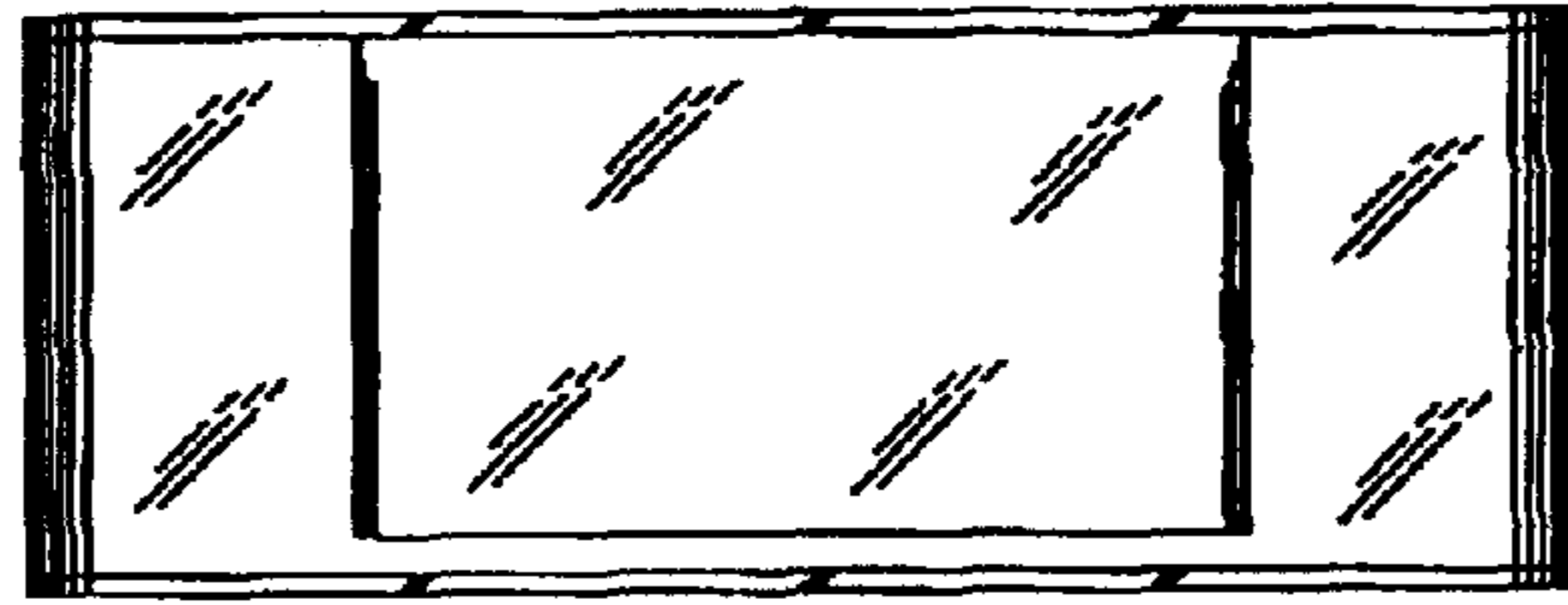


FIG. 7

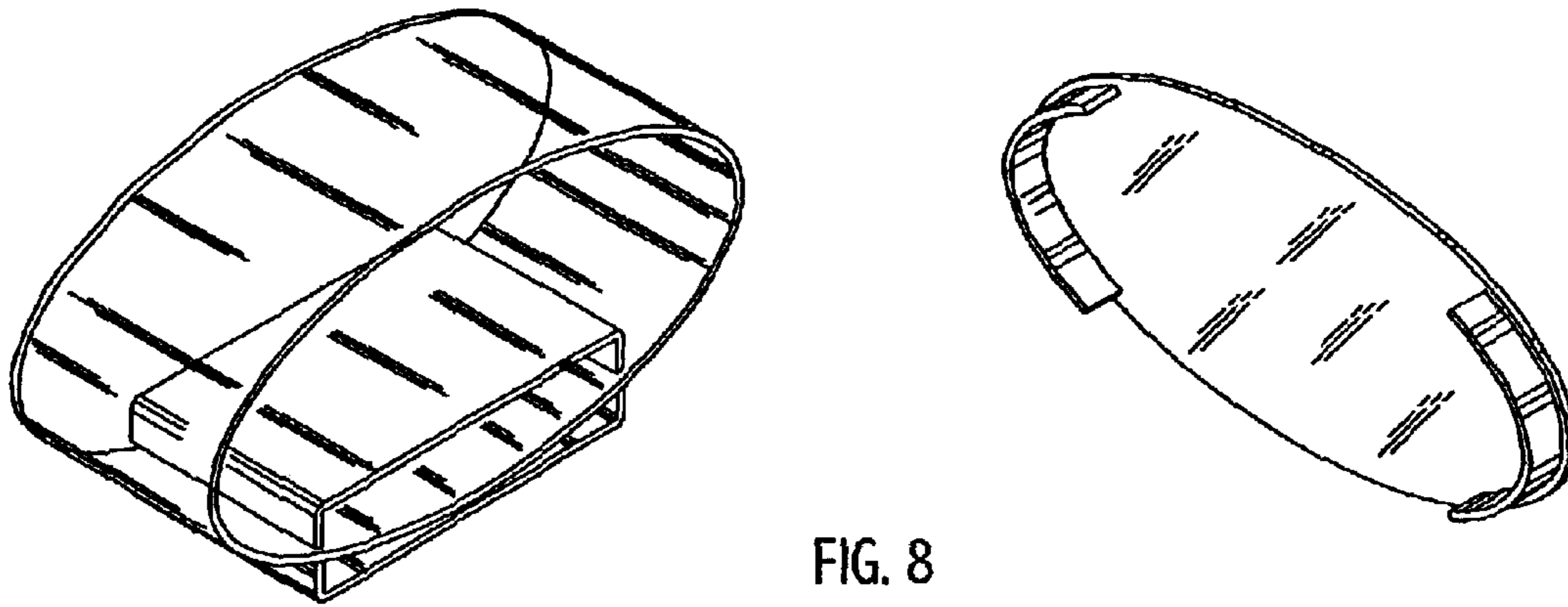


FIG. 8

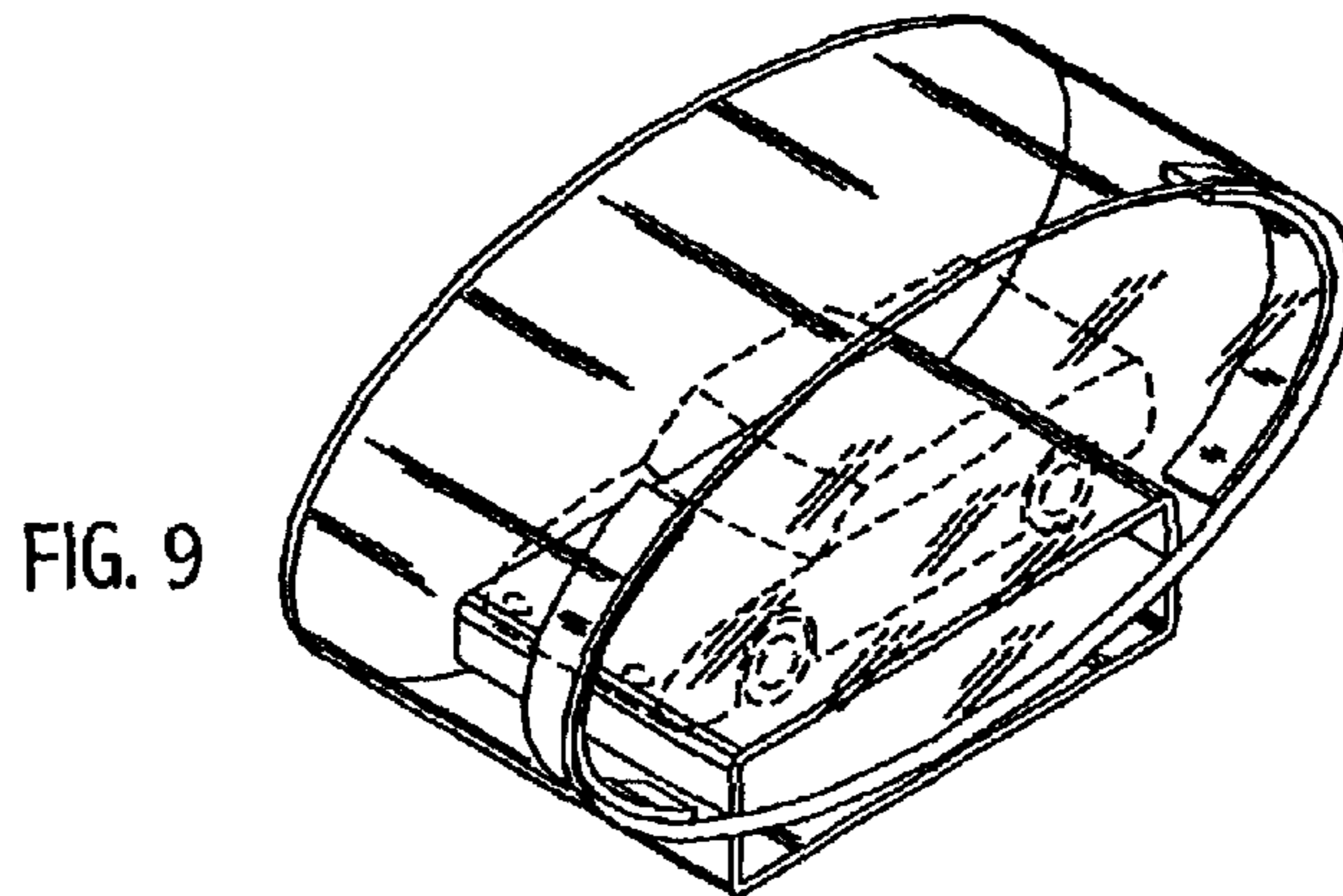


FIG. 9