

US00D494380S1

(12) **United States Design Patent**
Christian

(10) **Patent No.:** **US D494,380 S**

(45) **Date of Patent:** **** Aug. 17, 2004**

(54) **BED**

(76) **Inventor:** **Curt Christian**, 16525 S. Avalon Blvd.,
Carson, CA (US) 90746

(**) **Term:** **14 Years**

(21) **Appl. No.:** **29/188,957**

(22) **Filed:** **Aug. 26, 2003**

(51) **LOC (7) Cl.** **06-01**

(52) **U.S. Cl.** **D6/389**

(58) **Field of Search** D6/388, 389, 392-395,
D6/505-508, 382-384; 5/53.1, 279.1, 280,
281, 907, 2.1

(56) **References Cited**

U.S. PATENT DOCUMENTS

D163,650 S * 6/1951 Springs D6/392

D352,844 S * 11/1994 Keller D6/389

D373,687 S * 9/1996 Walters et al. D6/389

D422,167 S * 4/2000 Vaaler D6/495

D435,357 S * 12/2000 Craig D6/389

D454,719 S * 3/2002 Vaaler D6/389

* cited by examiner

Primary Examiner—Janice Seeger

(57) **CLAIM**

The ornamental design for a bed, as shown and described.

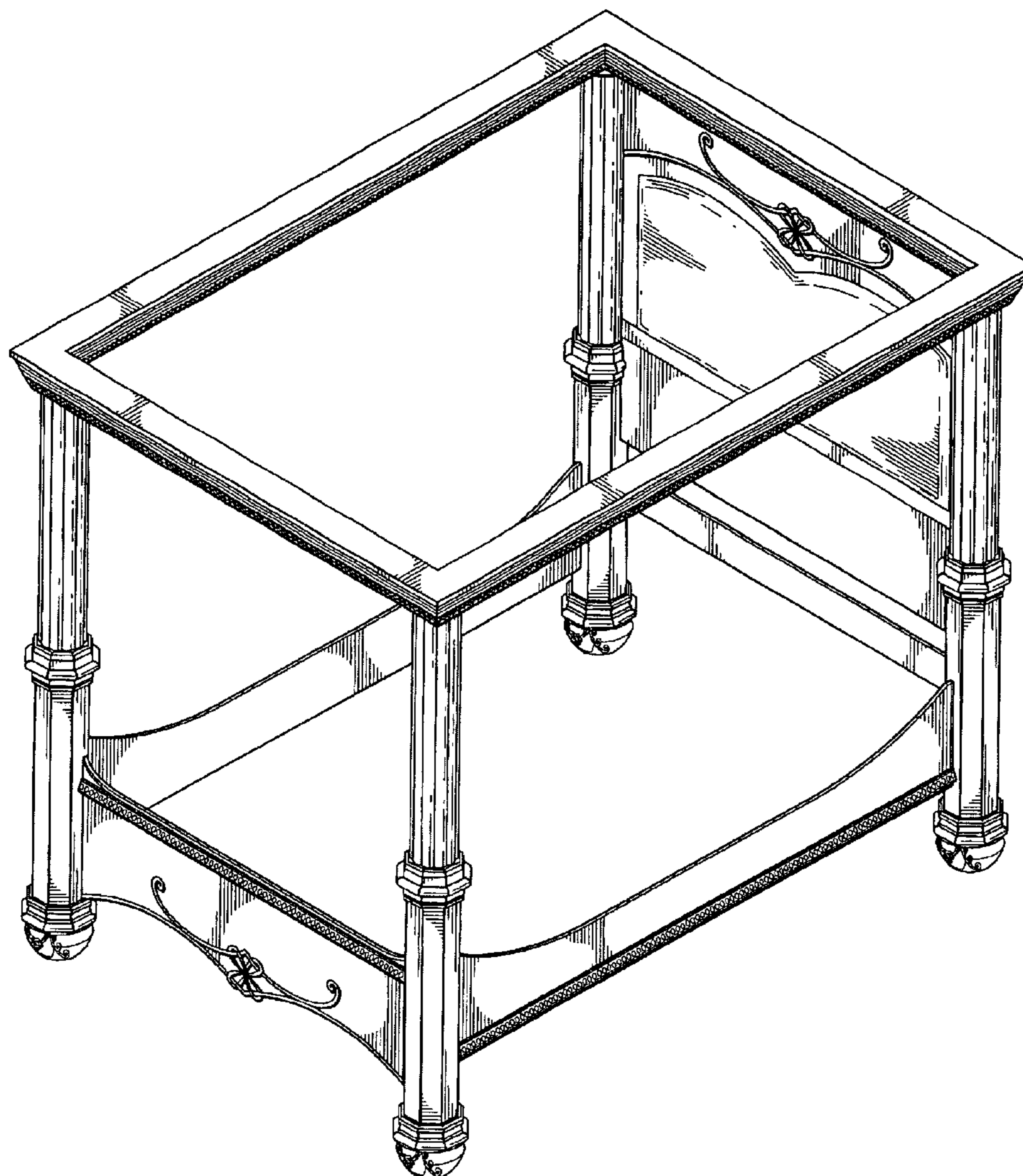
DESCRIPTION

FIG. 1 is a top, right, front perspective view of a bed showing my new design.

FIG. 2 is a front view of the bed of FIG. 1; and,

FIG. 3 is a left view of the bed of FIG. 1.

1 Claim, 3 Drawing Sheets



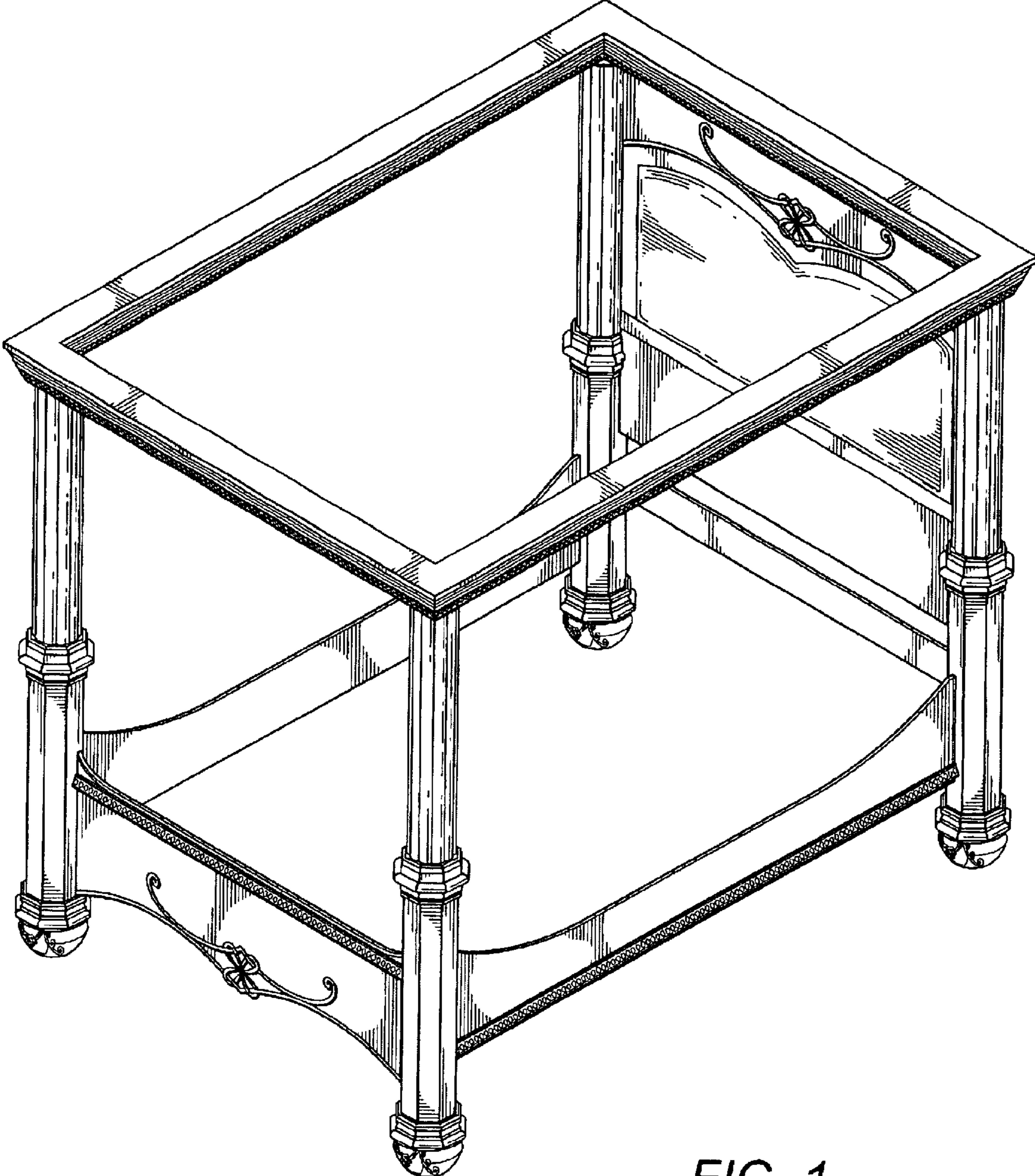


FIG. 1

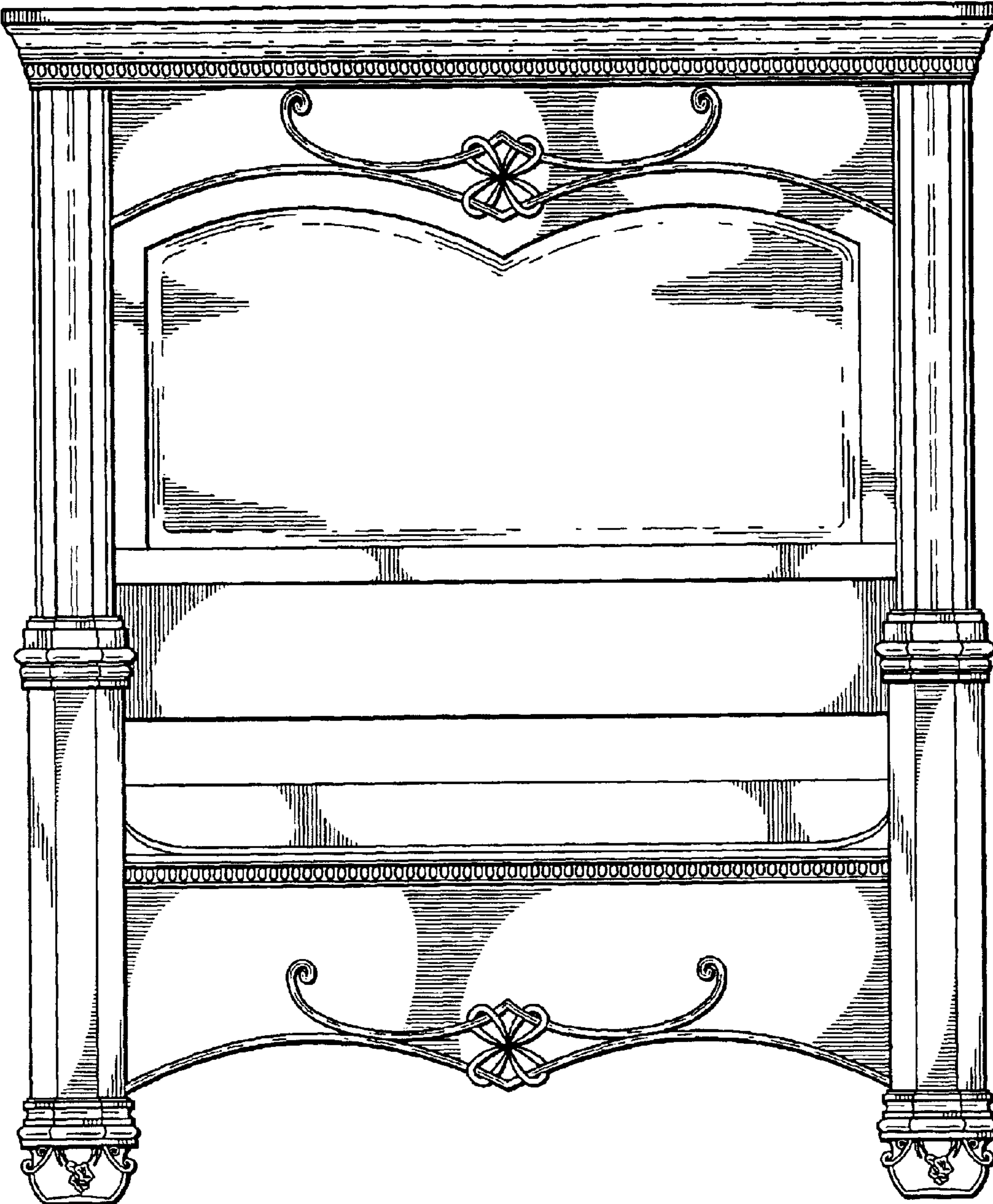


FIG. 2

FIG. 3

