

US00D494379S1

(12) **United States Design Patent**
Moore

(10) **Patent No.:** **US D494,379 S**

(45) **Date of Patent:** **** Aug. 17, 2004**

(54) **CRIB WITH INTEGRATED ROCKING DEVICE**

(76) **Inventor:** **Rodney Moore**, 35 Halesworth Rd,
Lewisham (GB), SE13 7TJ

(**) **Term:** **14 Years**

(21) **Appl. No.:** **29/191,341**

(22) **Filed:** **Oct. 6, 2003**

(51) **LOC (7) Cl.** **06-01**

(52) **U.S. Cl.** **D6/385; D6/390**

(58) **Field of Search** D6/390, 391, 393,
D6/333, 331, 385, 389, 503; 5/93.1, 99.1,
101, 97, 98.1, 100, 503, 491, 113, 121,
414, 416

(56) **References Cited**

U.S. PATENT DOCUMENTS

D53,854 S * 9/1919 Kletschka D6/390
D205,830 S * 9/1966 Rudy D6/388
4,793,010 A 12/1988 Gross et al.

4,856,130 A 8/1989 Berkovich

4,987,624 A 1/1991 Nafti

5,081,722 A 1/1992 Yu

5,088,138 A 2/1992 Munster

D400,369 S * 11/1998 Aaron D6/383

6,618,878 B1 * 9/2003 McCoy et al. 5/95

* cited by examiner

Primary Examiner—Janice Seeger

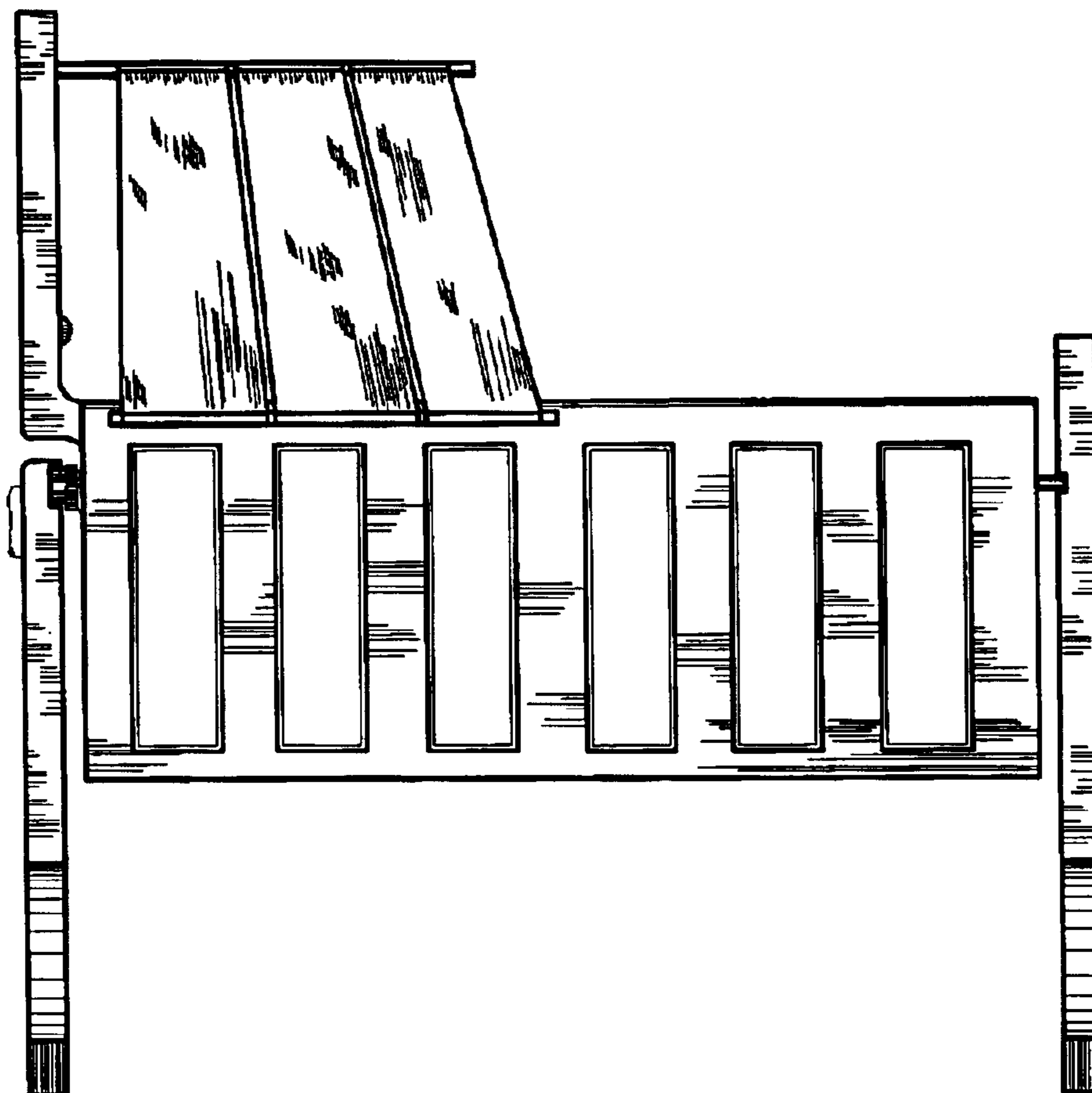
(57) **CLAIM**

The ornamental design for a crib with integrated rocking device, as shown and described.

DESCRIPTION

FIG. 1 is a front elevational view of a crib with integrated rocking device showing my new design,
FIG. 2 is a side view, taken from the left side of FIG. 1;
FIG. 3 is a rear elevational view thereof;
FIG. 4 is a side view, taken from the right side of FIG. 1;
FIG. 5 is a bottom plan view thereof; and,
FIG. 6 is a top plan view thereof.

1 Claim, 3 Drawing Sheets



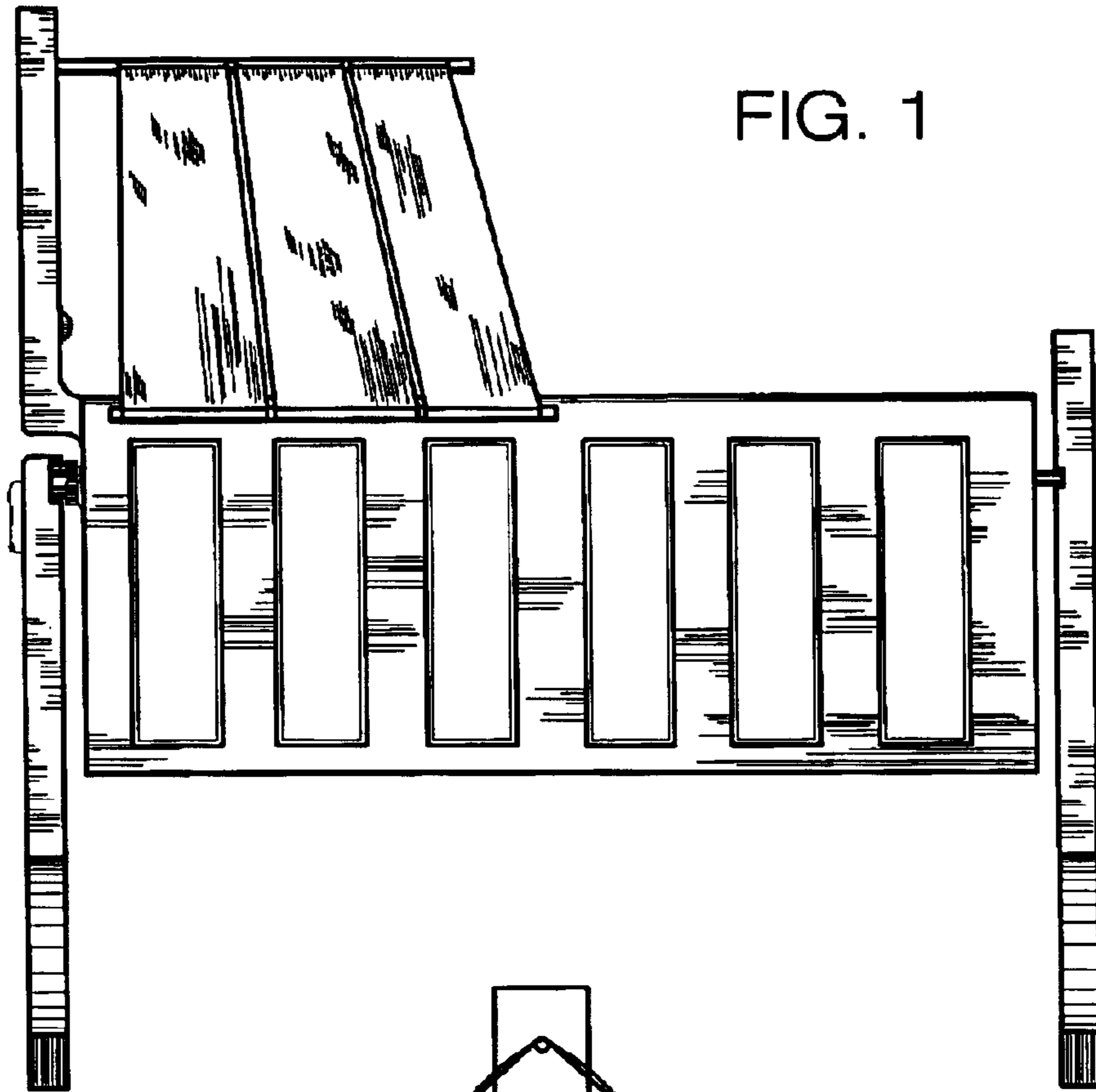


FIG. 1

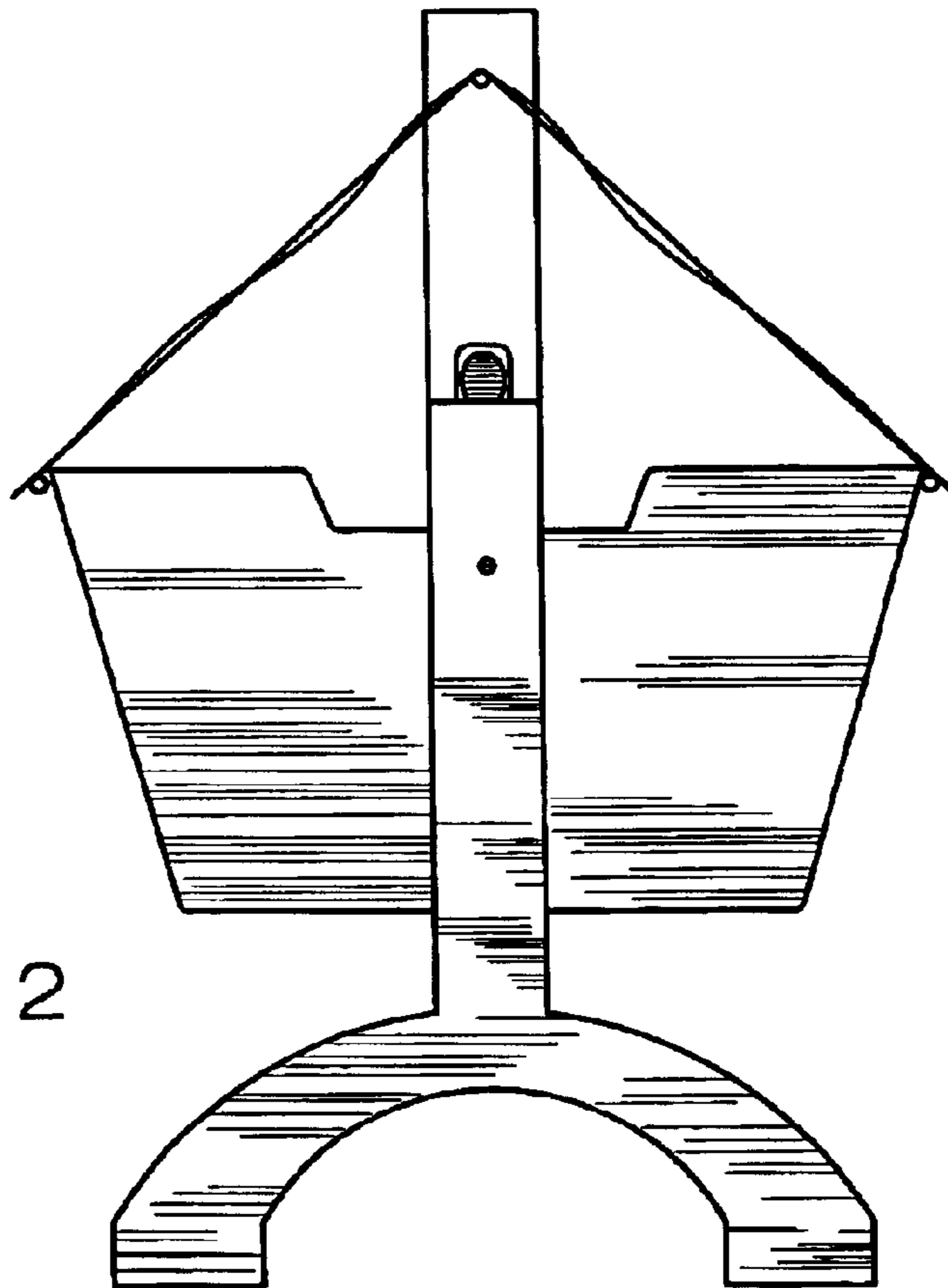


FIG. 2

FIG. 3

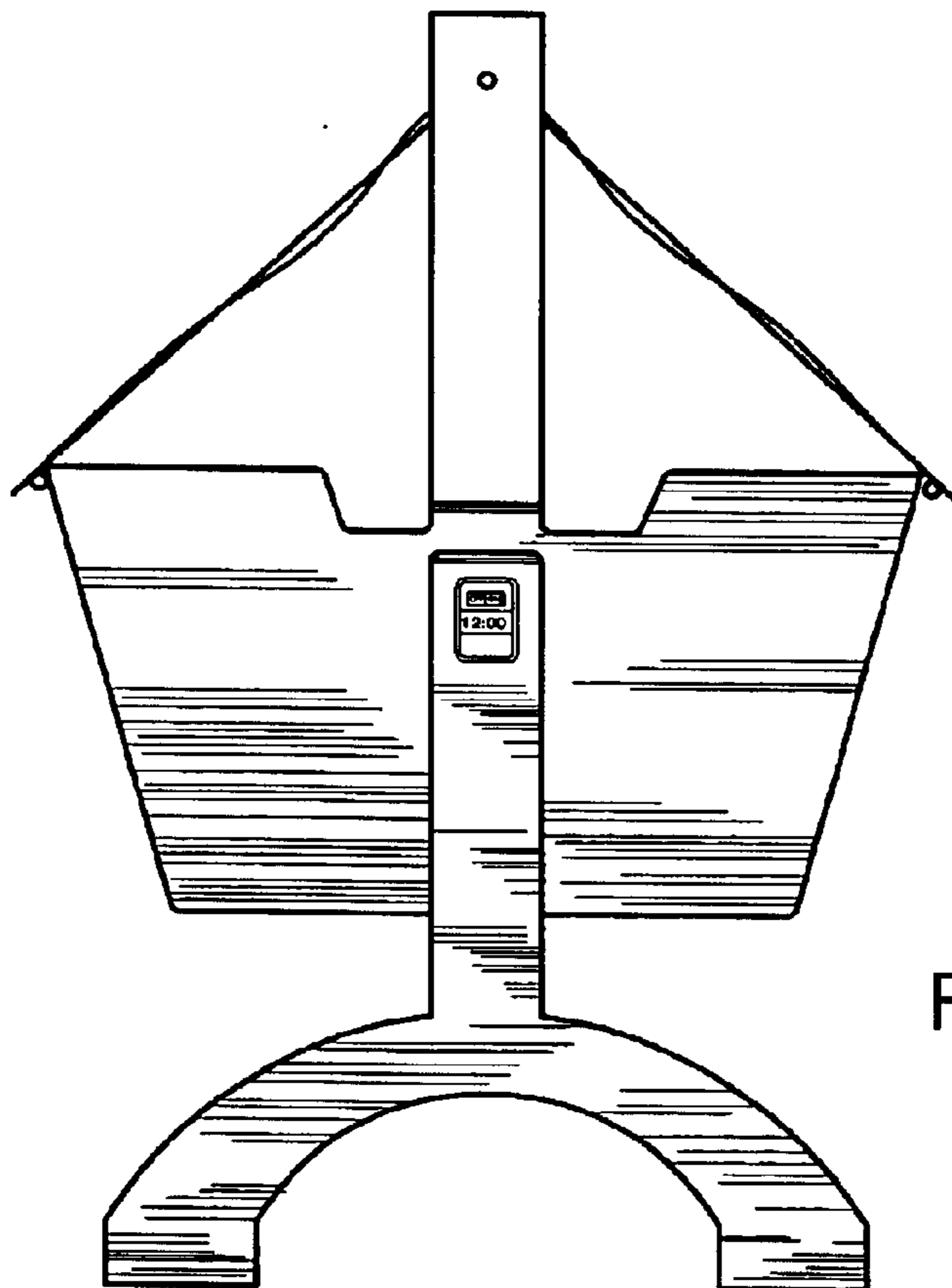
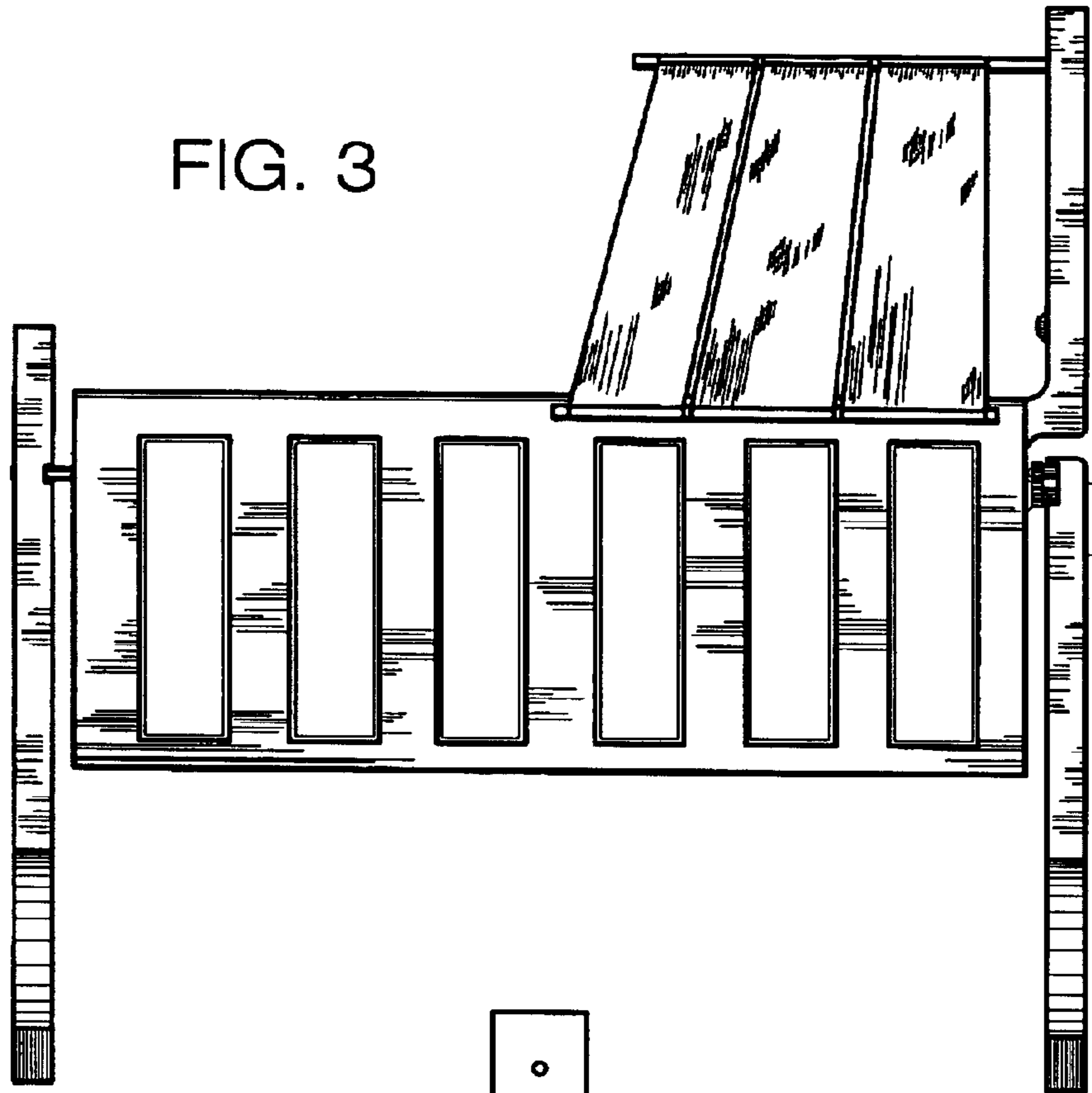


FIG. 4

FIG. 6

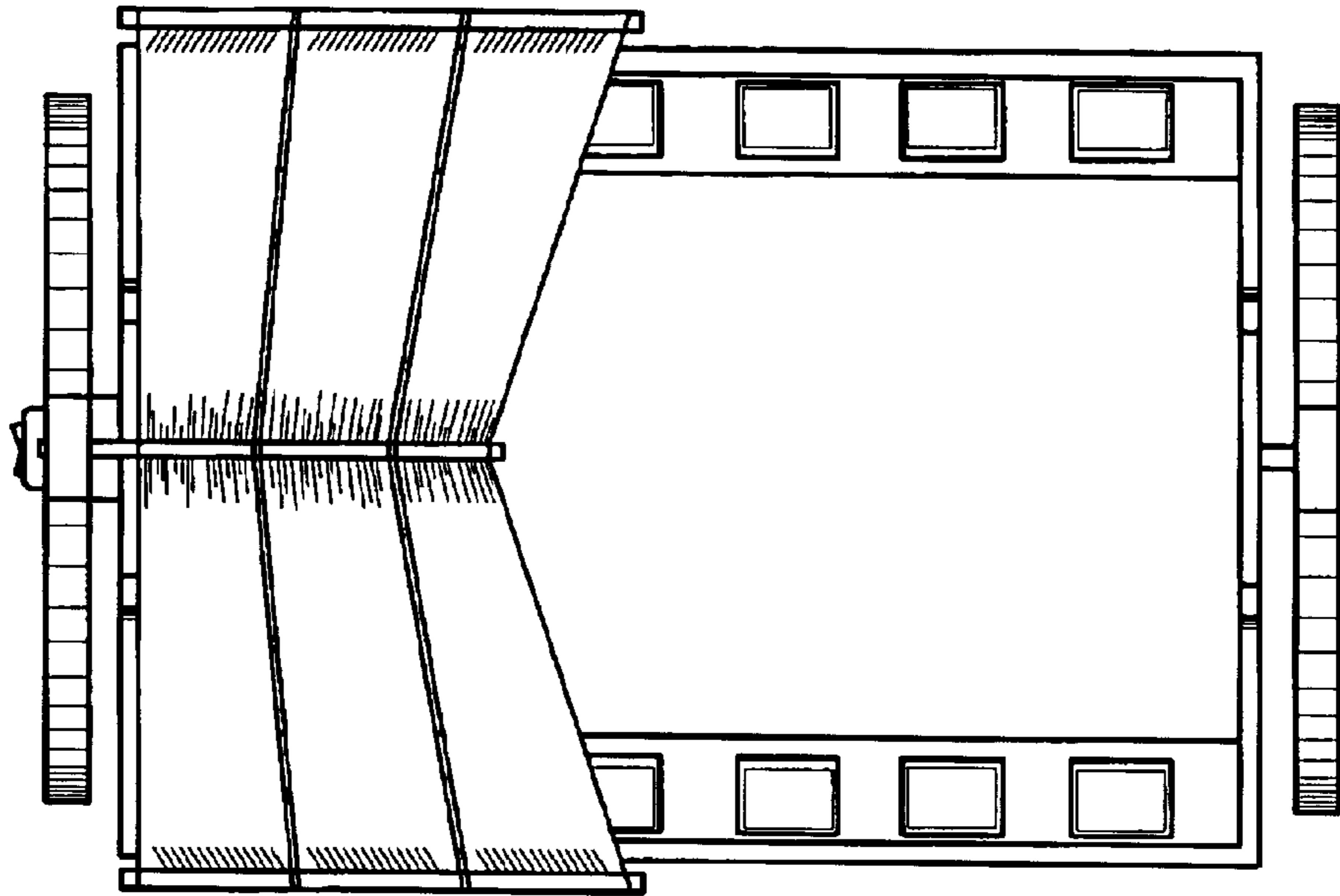


FIG. 5

