

US00D494361S1

(12) **United States Design Patent**
Leach

(10) **Patent No.:** **US D494,361 S**

(45) **Date of Patent:** **** Aug. 17, 2004**

(54) **HOLSTER**

(76) **Inventor:** **Shirlee Margaret Leach**, 48 Farthing Drive, Letchworth, Hertfordshire (GB), S96 ZTR

(**) **Term:** **14 Years**

(21) **Appl. No.:** **29/187,256**

(22) **Filed:** **Jul. 30, 2003**

(51) **LOC (7) Cl.** **03-01**

(52) **U.S. Cl.** **D3/222**

(58) **Field of Search** D3/222, 223, 220, D3/228, 233-234; 224/192, 193, 191, 243, 252, 901.4, 911

(56) **References Cited**

U.S. PATENT DOCUMENTS

D247,299 S * 2/1978 Bianchi et al. D3/226
D248,866 S * 8/1978 Gonzales D3/222

4,645,103 A * 2/1987 Bianchi et al. 224/243
D392,458 S * 3/1998 Batts D3/222
D458,745 S * 6/2002 Glaser et al. D3/222
6,685,066 B2 * 2/2004 Cragg 224/192

* cited by examiner

Primary Examiner—Catherine R. Oliver

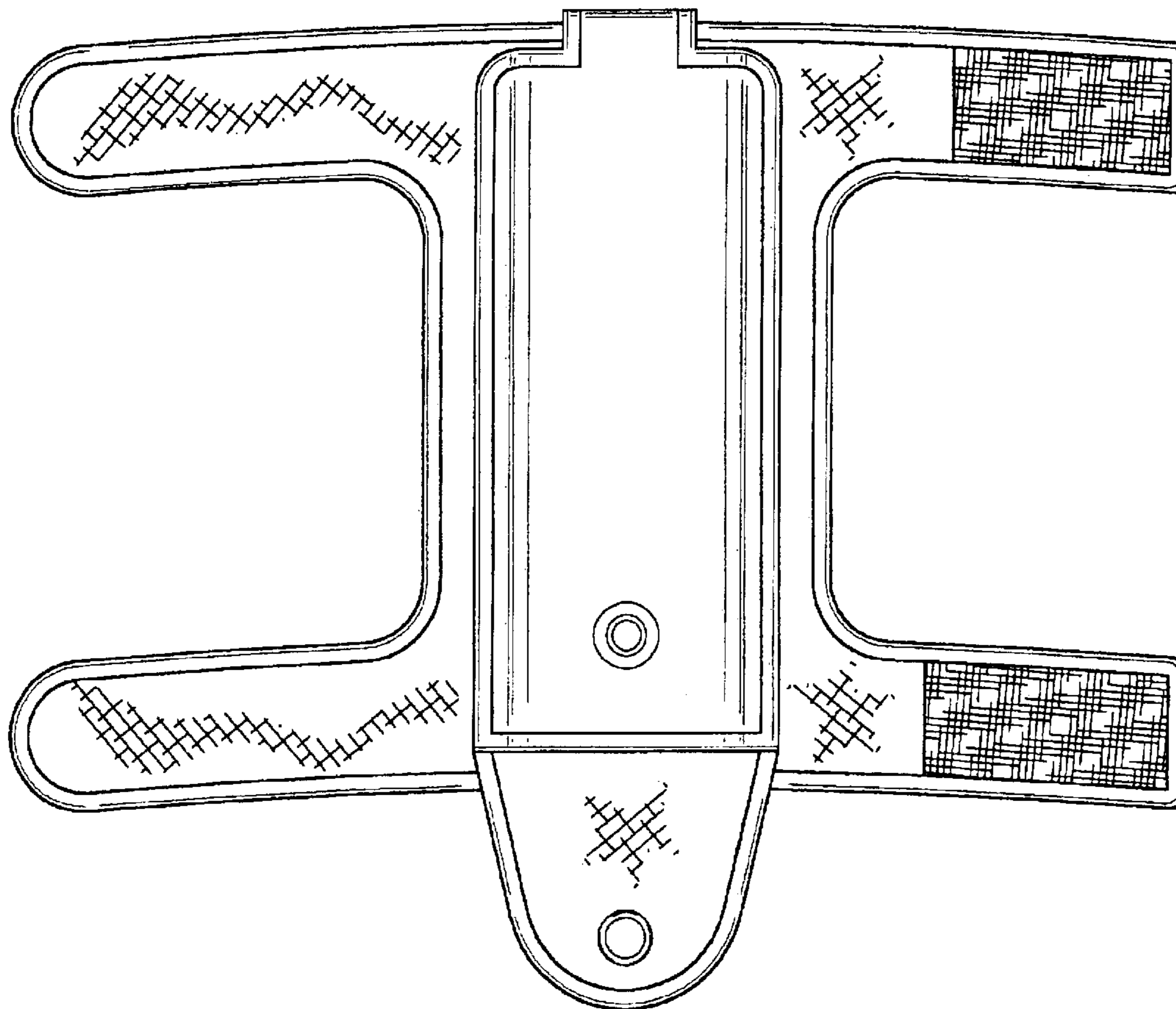
(57) **CLAIM**

The ornamental design for a holster, as shown and described.

DESCRIPTION

FIG. 1 is a front elevational view of a holster showing my new design;
FIG. 2 is a rear elevational view thereof;
FIG. 3 is a side view, taken from the left side of FIG. 1;
FIG. 4 is a side view, taken from the right side of FIG. 1;
FIG. 5 is a top plan view thereof; and,
FIG. 6 is a bottom plan view thereof.

1 Claim, 4 Drawing Sheets



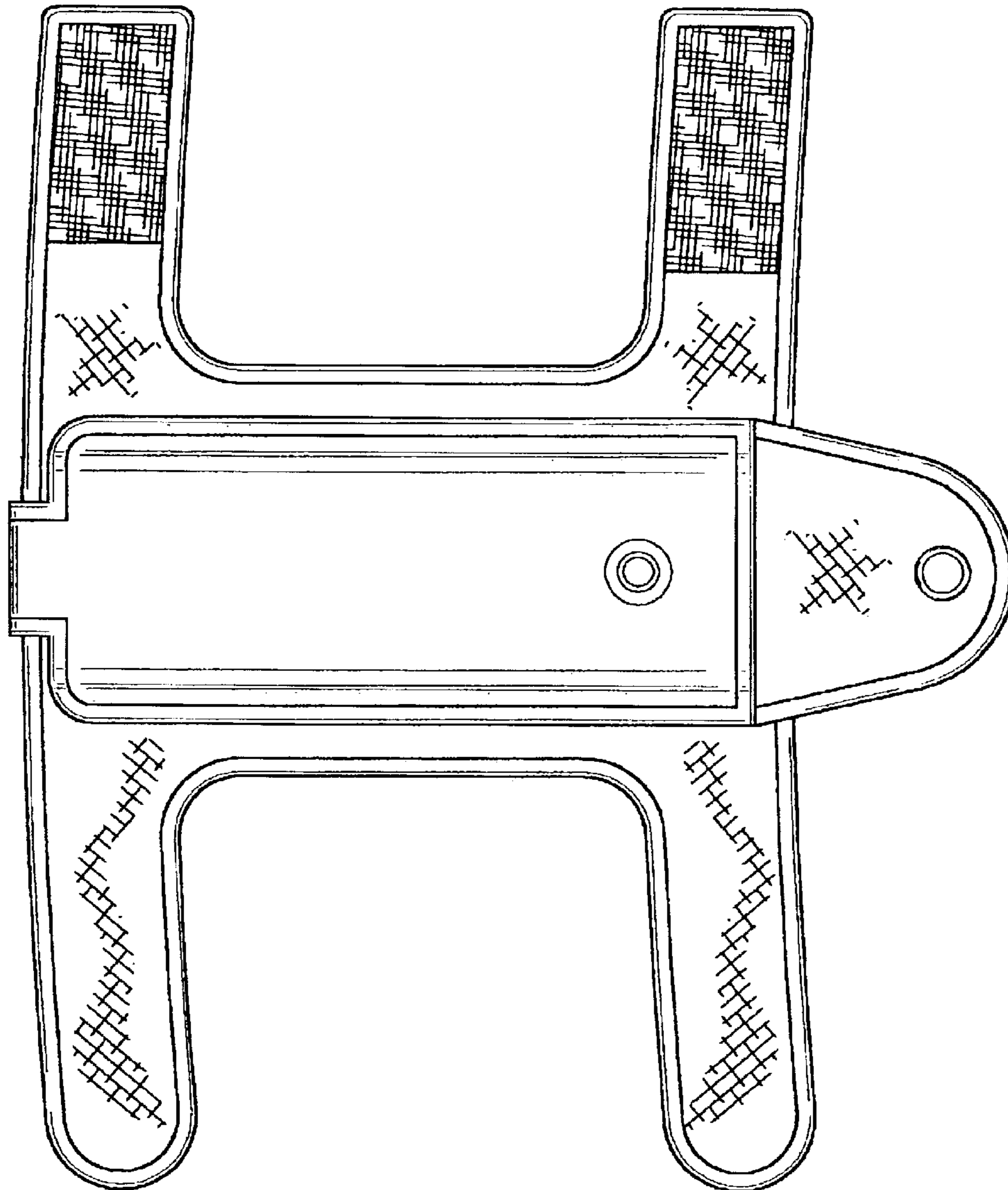


FIG. 1

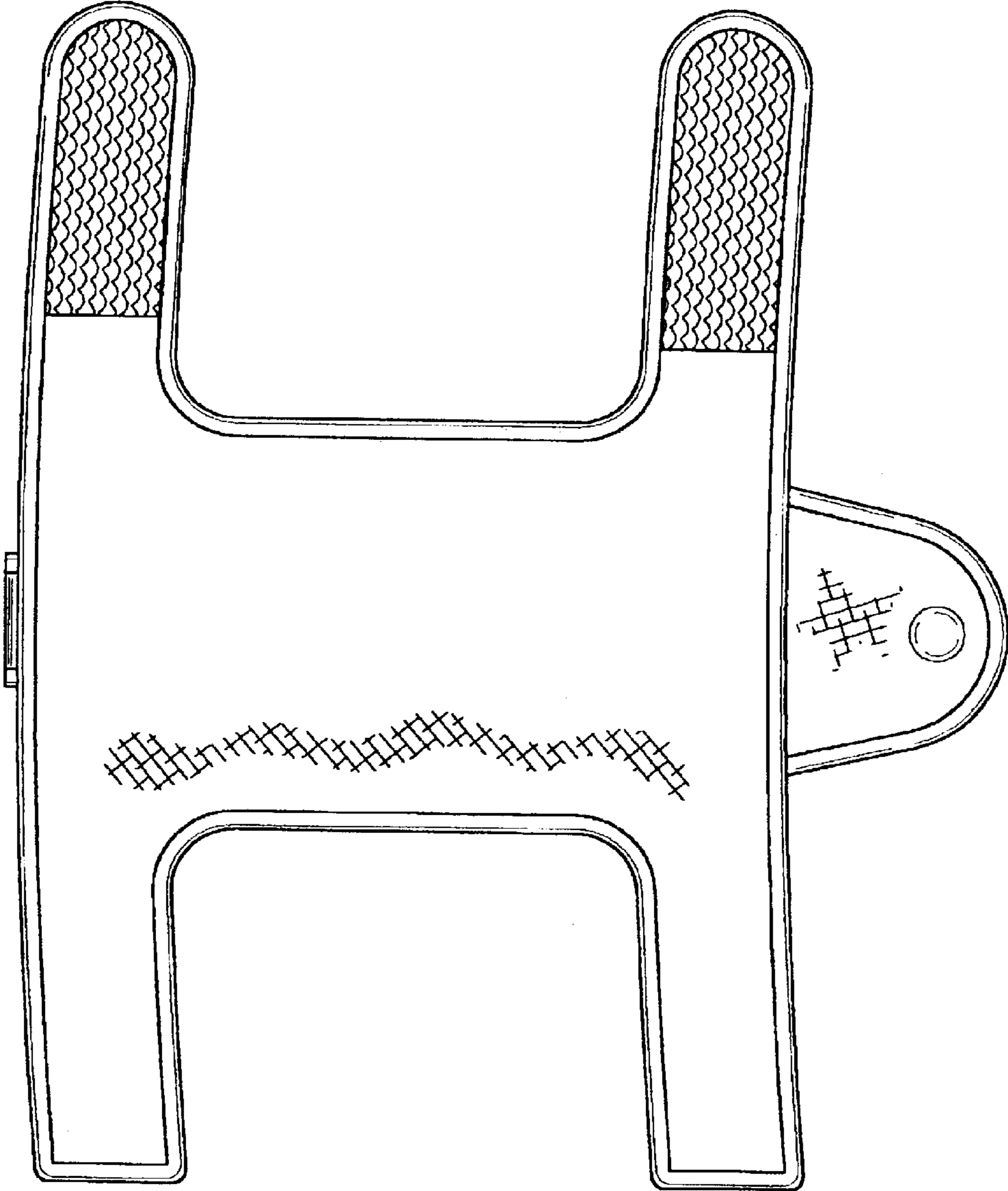


FIG. 2

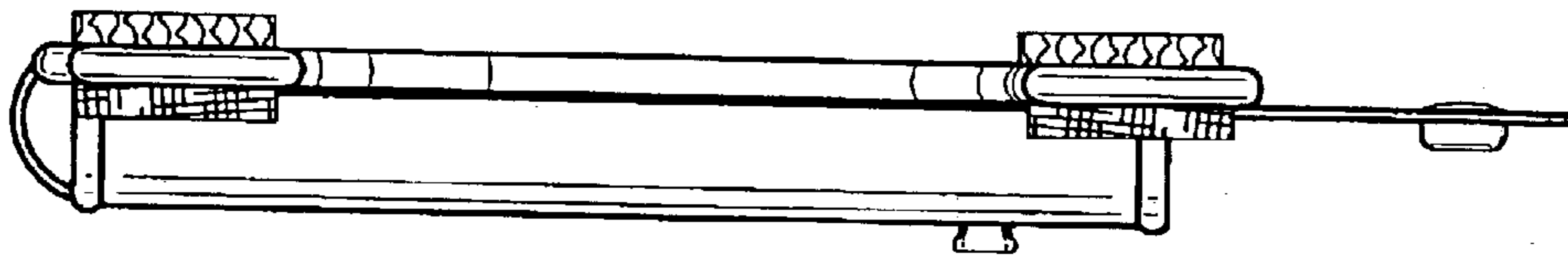


FIG. 4

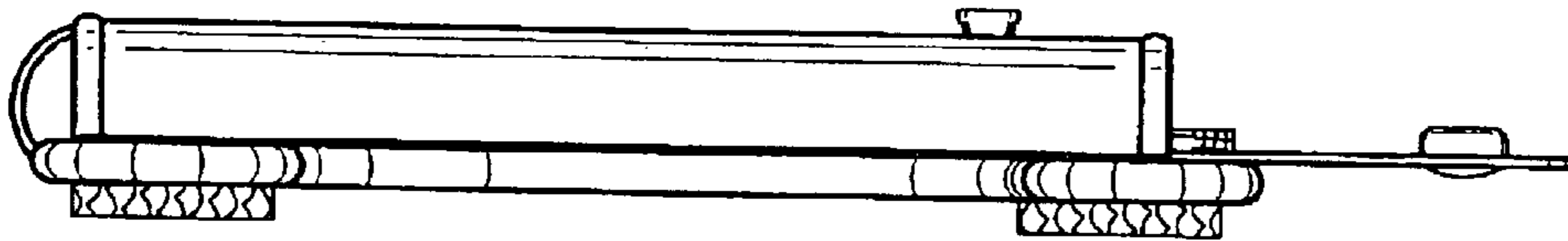


FIG. 3

FIG. 5

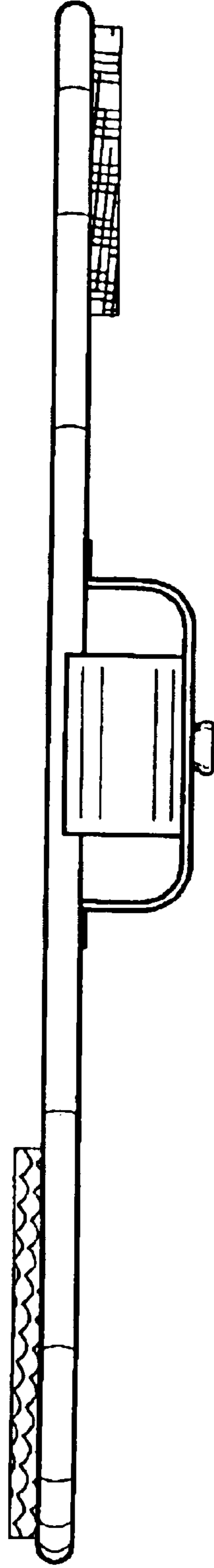


FIG. 6

