

US00D494360S1

(12) **United States Design Patent**  
**Ostermann**

(10) **Patent No.:** **US D494,360 S**  
(45) **Date of Patent:** **\*\* Aug. 17, 2004**

(54) **PEDICURE BAG**

(76) **Inventor:** **Nicole Ostermann**, 230 E. 44th St. -  
Apt#11D, New York, NY (US) 10017

(\*\*) **Term:** **14 Years**

(21) **Appl. No.:** **29/159,697**

(22) **Filed:** **Apr. 26, 2002**

(51) **LOC (7) Cl.** ..... **03-01**

(52) **U.S. Cl.** ..... **D3/205**

(58) **Field of Search** ..... D3/201, 203, 205,  
D3/206, 232, 234, 243, 245, 246, 265,  
266, 273, 289, 291, 301, 303, 900; 190/900,  
901, 902, 903; 150/900; 132/73.75, 286.287,  
289.3, 314.315; 206/38, 228, 351, 501;  
383/97, 98, 99

(56) **References Cited**

**U.S. PATENT DOCUMENTS**

2,038,319	A	*	4/1936	Stanley	.....	190/901
2,146,657	A	*	2/1939	Stanley	.....	206/581
2,623,566	A	*	12/1952	Kibler	.....	190/901
D359,163	S	*	6/1995	Summerfield et al.	.....	D3/205
5,706,935	A	*	1/1998	Lorton	.....	206/38
D446,390	S	*	8/2001	Myles et al.	.....	D3/303 X

**OTHER PUBLICATIONS**

Photos of Bag by designer Kate Spade, three sheets,  
unknown date.

\* cited by examiner

*Primary Examiner*—Louis S. Zarfes

*Assistant Examiner*—Monica A Weingart

(74) *Attorney, Agent, or Firm*—Brown Raysman Millstein  
Felder & Steiner

(57) **CLAIM**

The ornamental design for a pedicure bag, as shown and  
described.

**DESCRIPTION**

FIG. 1 is a front perspective view of a pedicure bag showing  
my new design;

FIG. 2 is a front view thereof;

FIG. 3 is a rear view thereof;

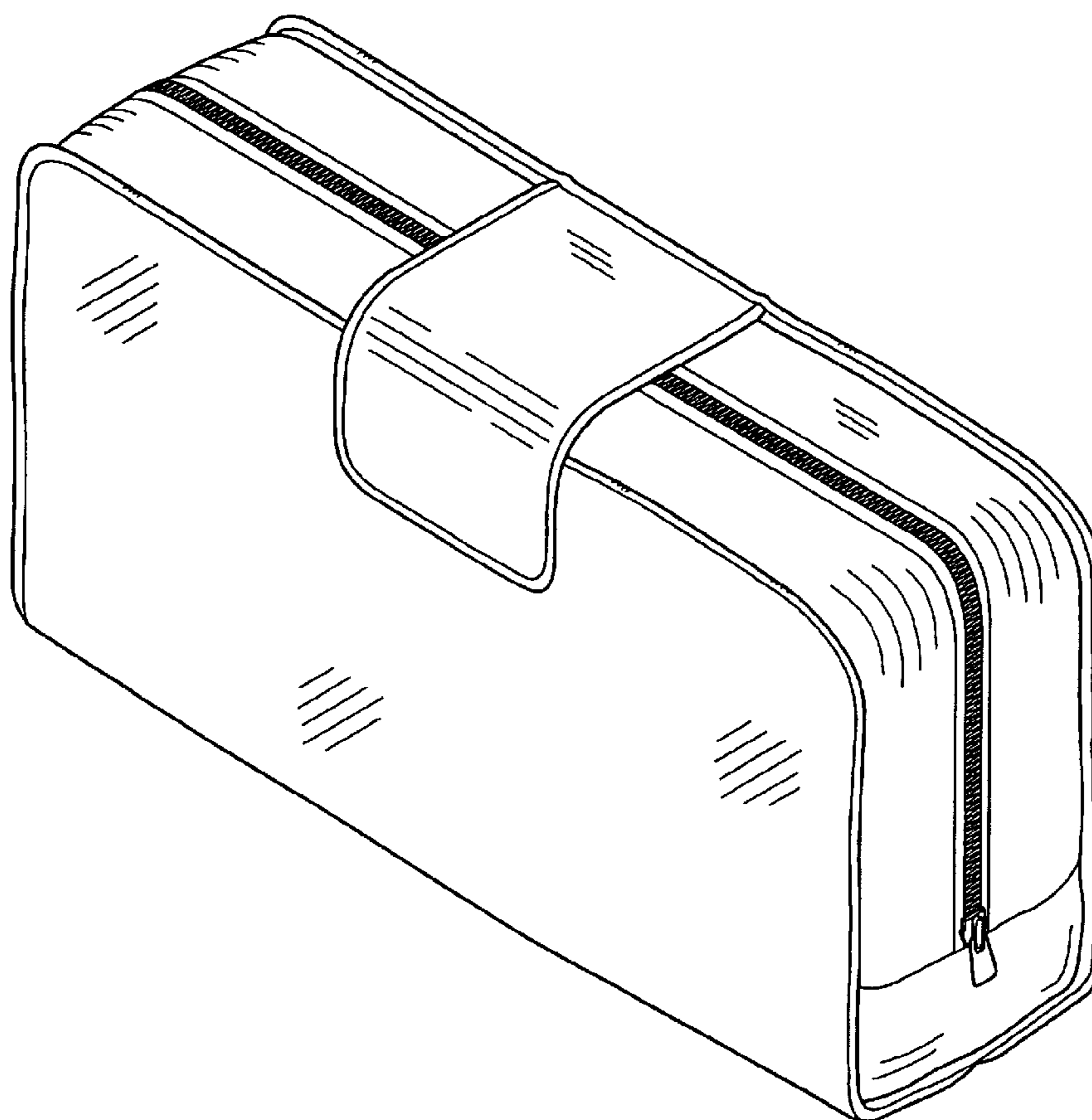
FIG. 4 is a right side view thereof;

FIG. 5 is a left side view thereof;

FIG. 6 is a top view thereof; and,

FIG. 7 is front view thereof.

**1 Claim, 5 Drawing Sheets**



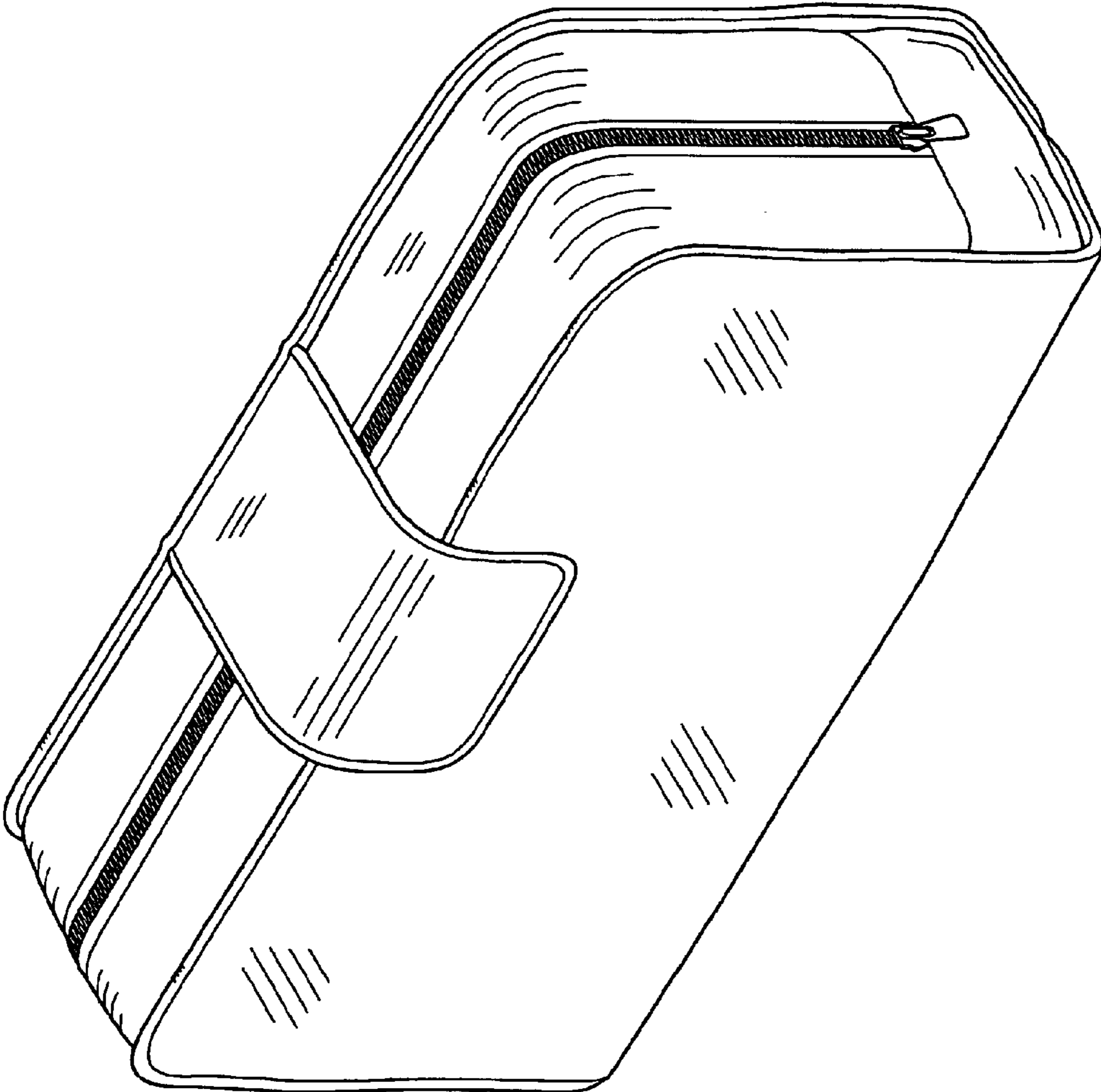


Figure 1

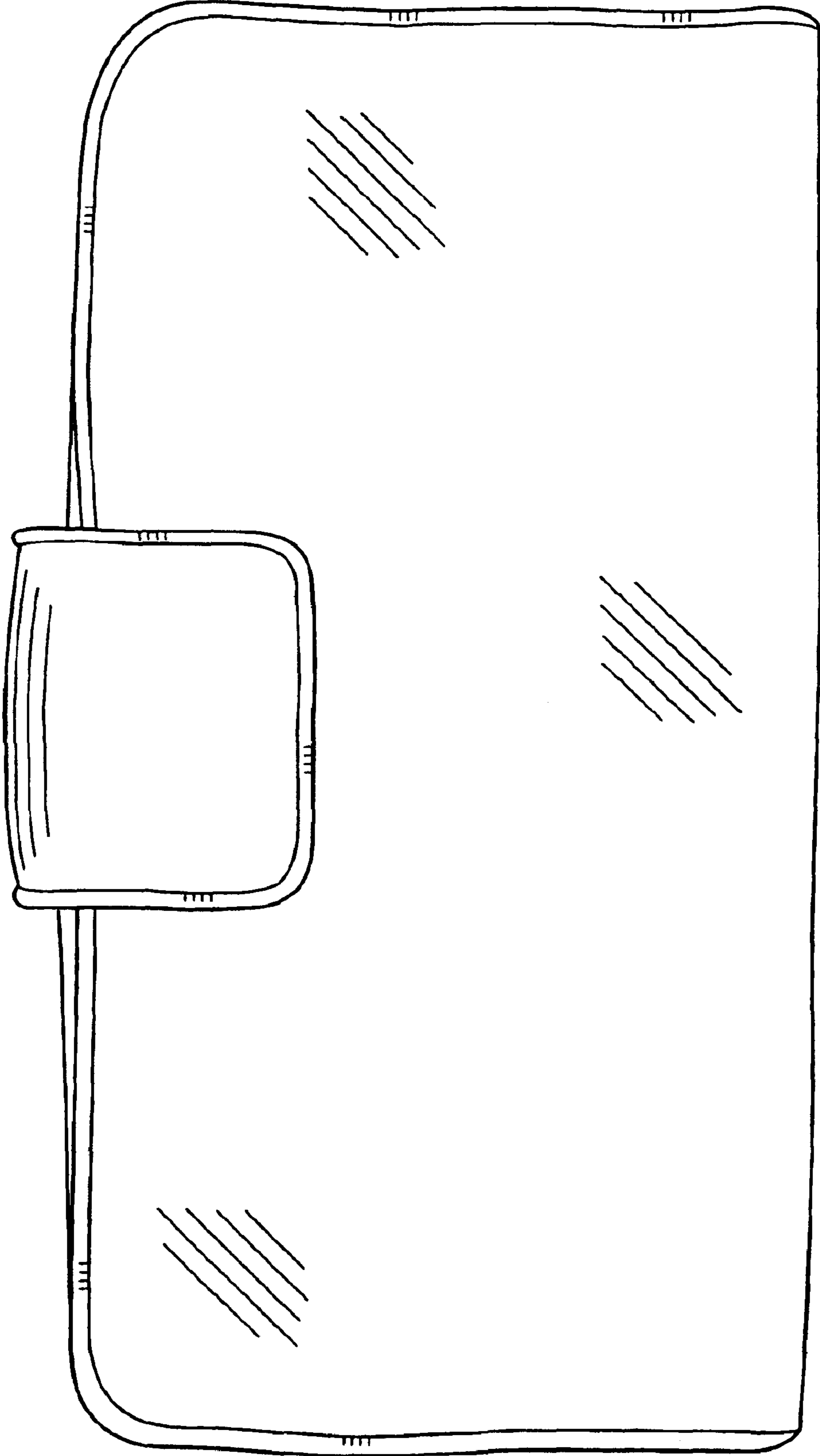


Figure 2



Figure 3

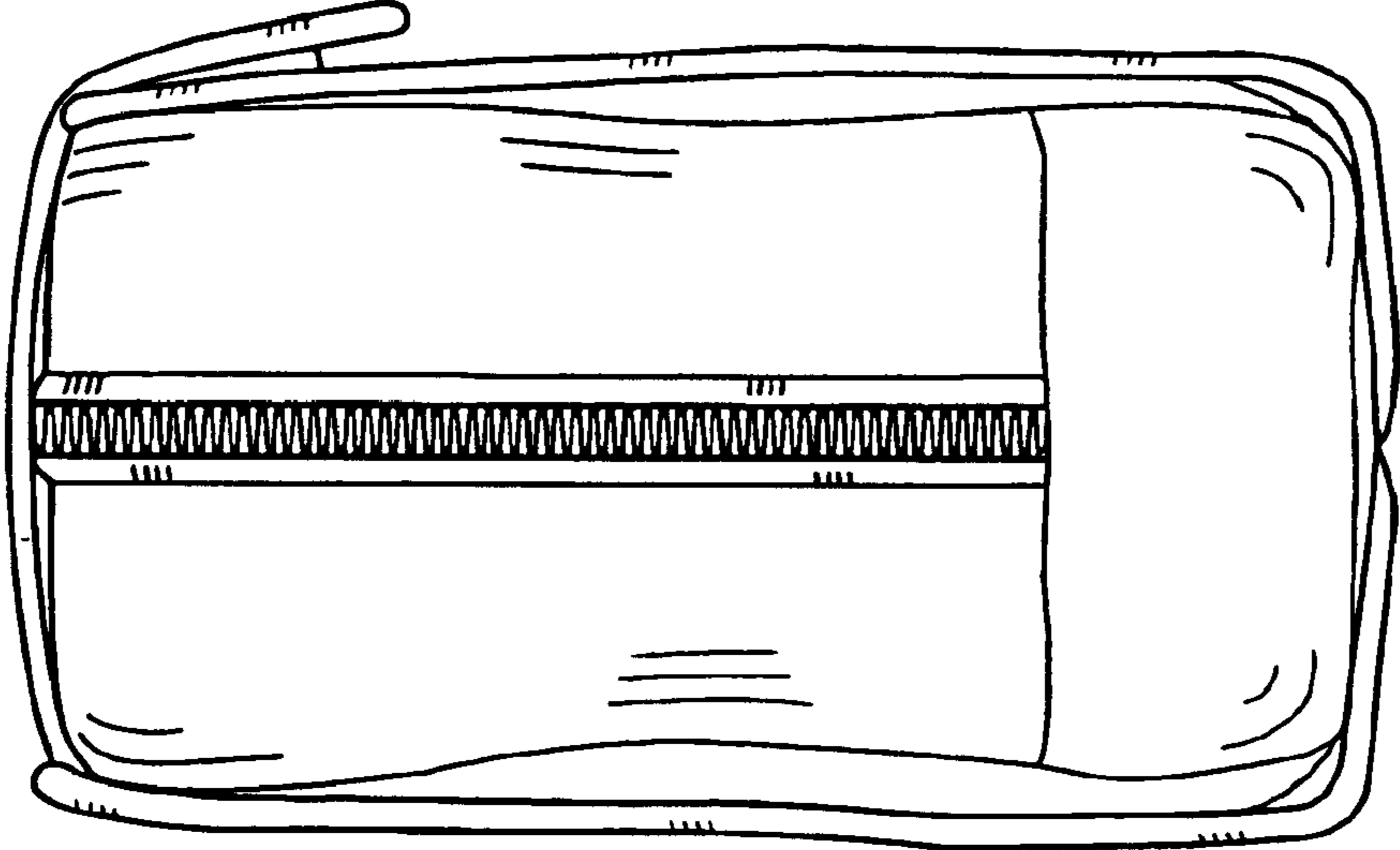


Figure 5

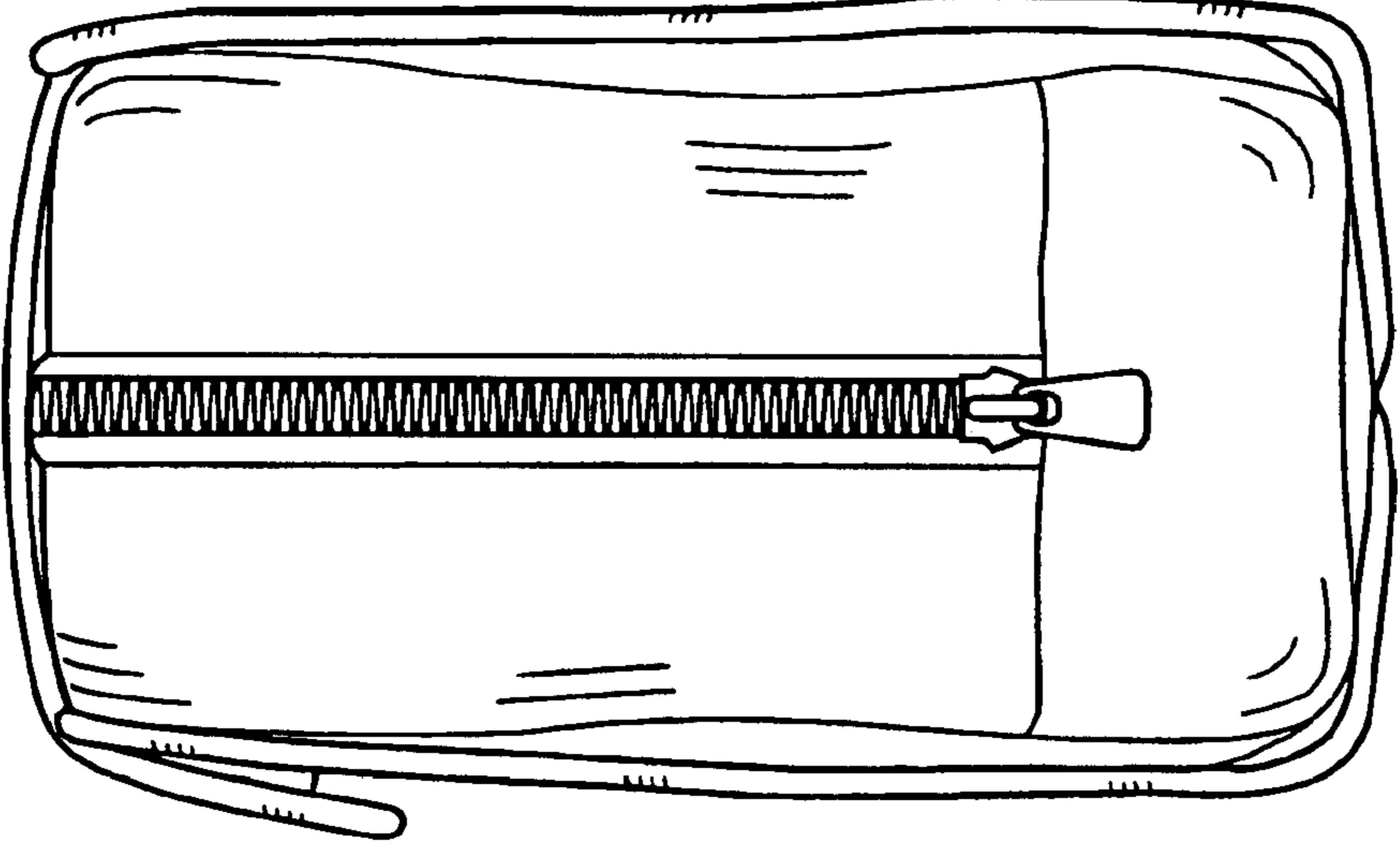


Figure 4

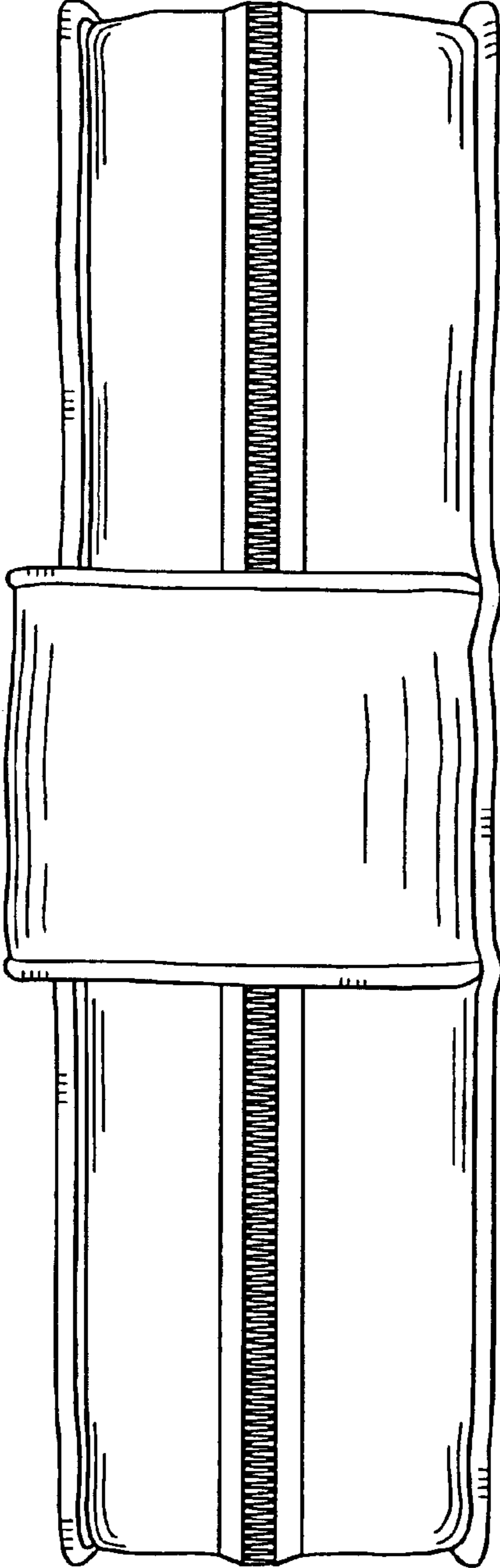


Figure 6

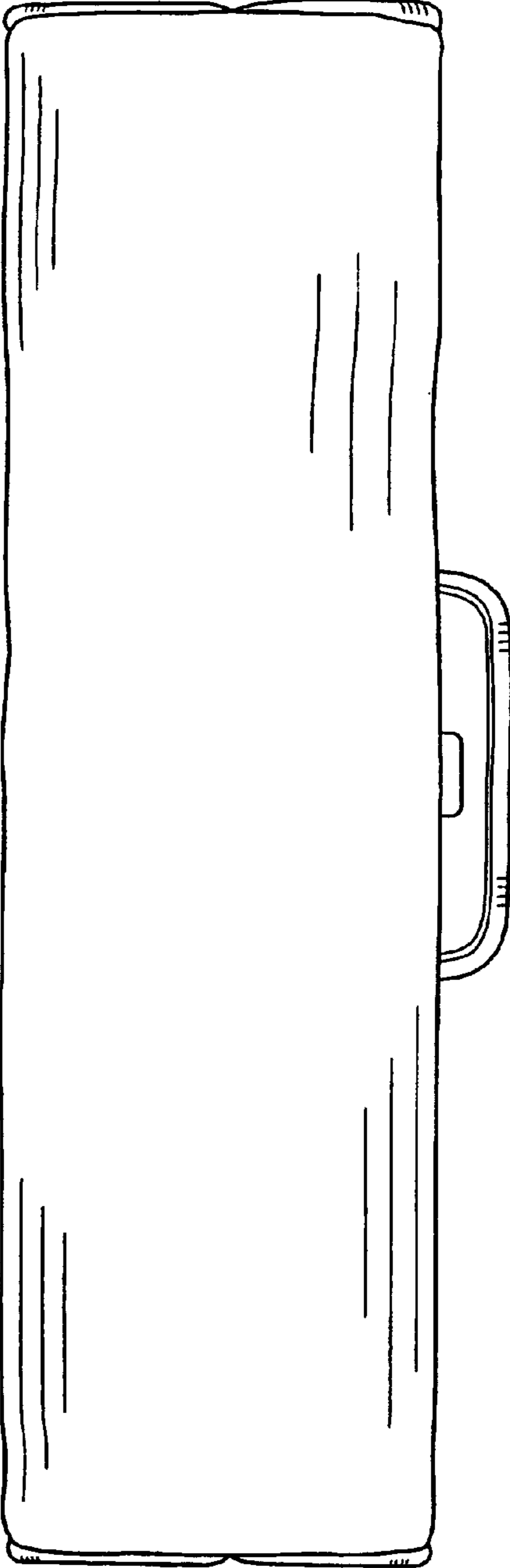


Figure 7