



US00D494337S1

(12) **United States Design Patent**  
**Carpenter et al.**

(10) **Patent No.:** **US D494,337 S**

(45) **Date of Patent:** **\*\* Aug. 10, 2004**

(54) **PACKAGING PALLET**

(76) Inventors: **Gary Carpenter**, 1744 Auburn Dr.,  
Carrollton, TX (US) 75007; **Robbie**  
**Rex Powell**, P.O. Box 117690,  
Carrollton, TX (US) 75011-7690

(\*\*) **Term:** **14 Years**

(21) **Appl. No.:** **29/187,624**

(22) **Filed:** **Aug. 4, 2003**

(51) **LOC (7) Cl.** ..... **09-08**

(52) **U.S. Cl.** ..... **D34/38; D9/456**

(58) **Field of Search** ..... **D34/38; D9/456;**  
108/53.1, 53.3, 53.5, 55.1, 55.3, 55.5, 56.1,  
56.3, 57.1, 901, 902; 206/386, 595, 599

(56) **References Cited**

**U.S. PATENT DOCUMENTS**

3,868,915	A	*	3/1975	Hafner	.....	108/57.26
3,902,692	A	*	9/1975	Skinner	.....	248/346.02
4,050,604	A	*	9/1977	Flanders	.....	220/4.28
D256,675	S	*	9/1980	Lubsen et al.	.....	D9/456
D280,296	S	*	8/1985	Holden	.....	D9/425
4,756,138	A	*	7/1988	Karpisek	.....	53/397
4,771,885	A	*	9/1988	Linnemann	.....	206/386
5,180,134	A	*	1/1993	Mallak	.....	248/544
5,284,098	A	*	2/1994	Klapperich et al.	.....	108/55.5
D349,798	S	*	8/1994	Hude et al.	.....	D34/28
5,473,995	A	*	12/1995	Gottlieb	.....	108/51.3
D417,327	S	*	11/1999	Craig	.....	D34/28
D422,768	S	*	4/2000	Gunn	.....	D34/38

D445,554	S	*	7/2001	Blason et al.	.....	D34/38
D452,057	S	*	12/2001	French et al.	.....	D34/38
D453,871	S	*	2/2002	Perry	.....	D34/38
D459,049	S	*	6/2002	Apps et al.	.....	D34/38
D459,050	S	*	6/2002	Meyer	.....	D34/38
D460,850	S	*	7/2002	Giampavolo et al.	.....	D34/38
D482,176	S	*	11/2003	Perry	.....	D34/38

\* cited by examiner

*Primary Examiner*—Cynthia E. Ramirez

(74) *Attorney, Agent, or Firm*—Schultz & Associates, P.C.

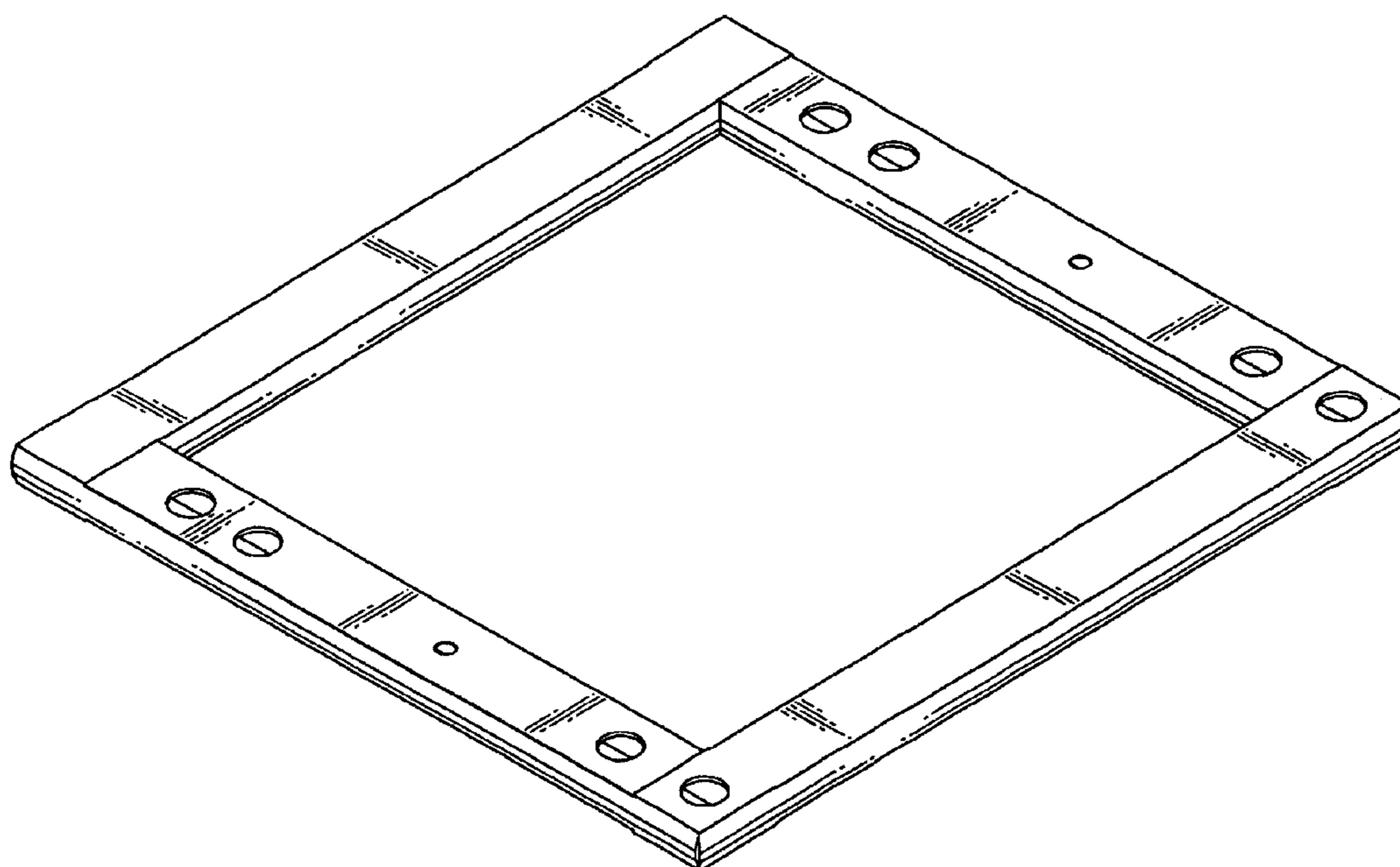
(57) **CLAIM**

The ornamental design for a packaging pallet, as shown and described.

**DESCRIPTION**

FIG. 1 is an isometric view of the packaging pallet in accordance with the present invention;  
 FIG. 2 is a side view of the packaging pallet in accordance with the present invention;  
 FIG. 3 is a top view of the packaging pallet in accordance with the present invention;  
 FIG. 4 is a side view of the packaging pallet in accordance with the present invention;  
 FIG. 5 is a side view of the packaging pallet in accordance with the present invention;  
 FIG. 6 is a side view of the packaging pallet in accordance with the present invention; and,  
 FIG. 7 is a bottom view of the packaging pallet in accordance with the present invention.

**1 Claim, 3 Drawing Sheets**



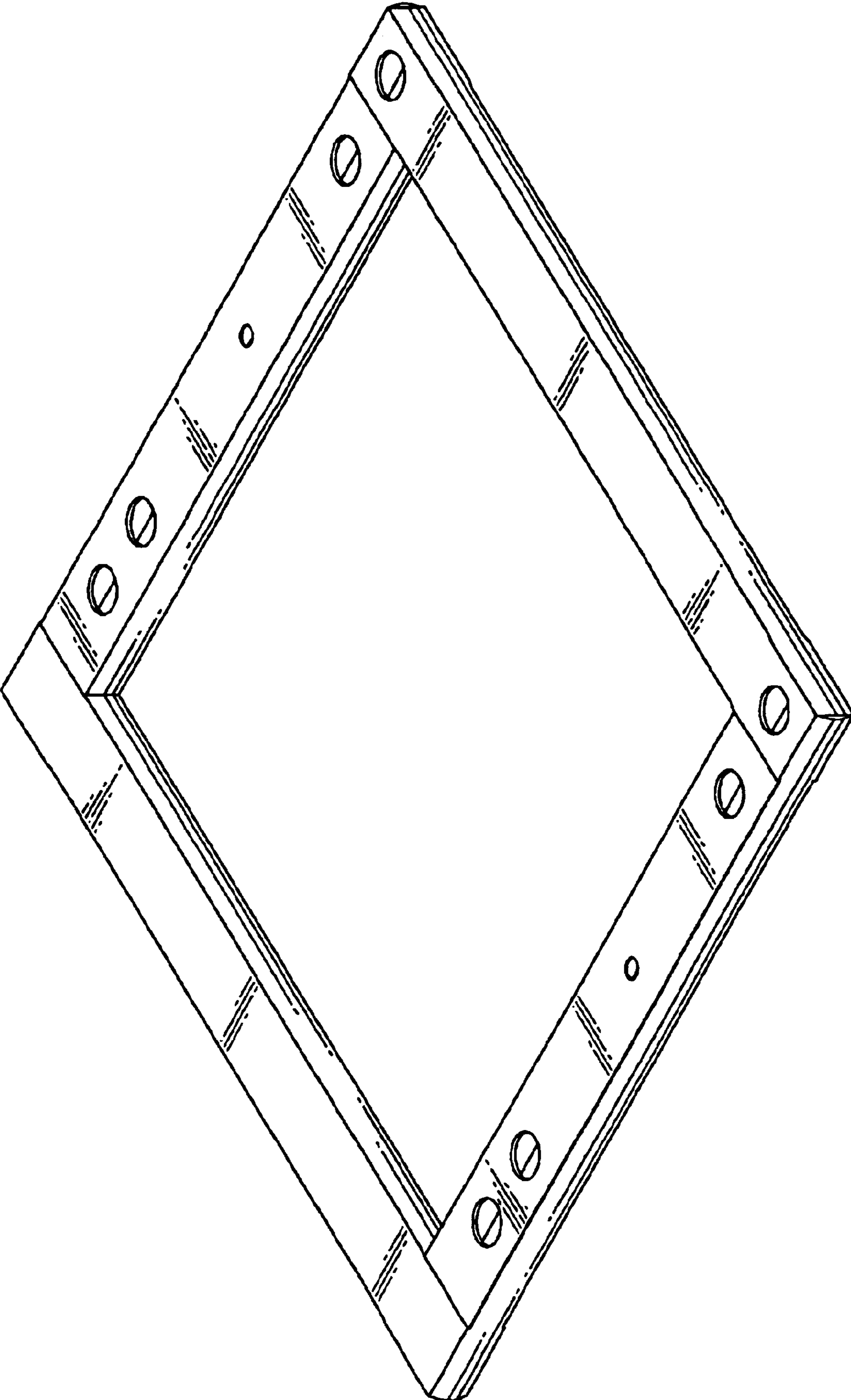


Fig. 1

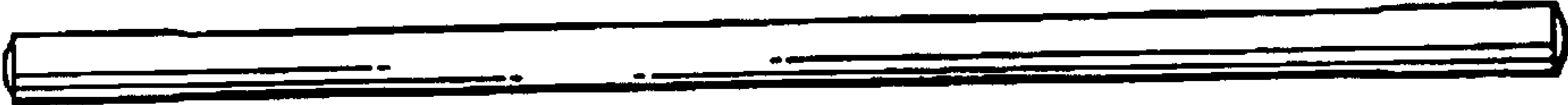


Fig. 2

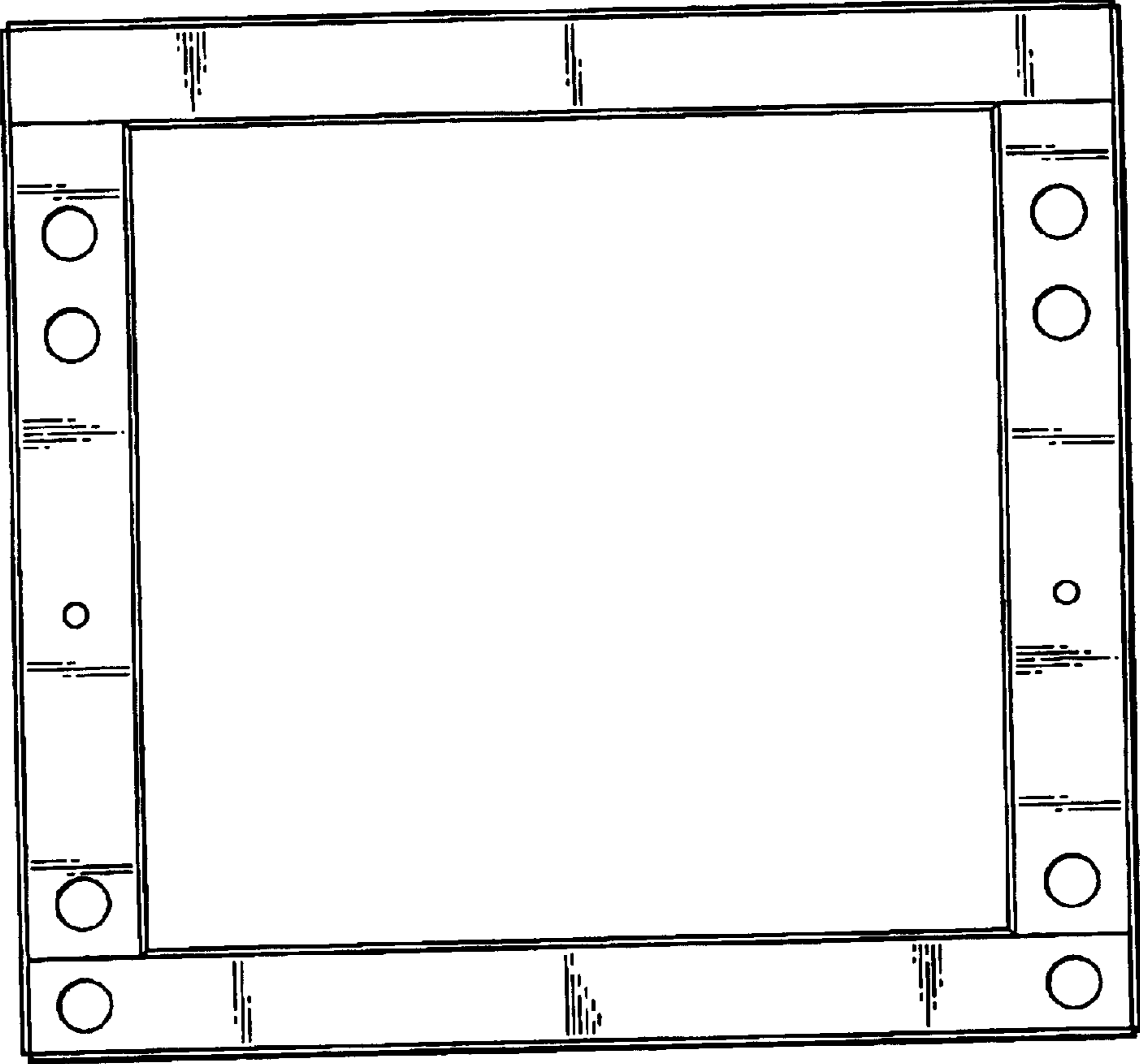
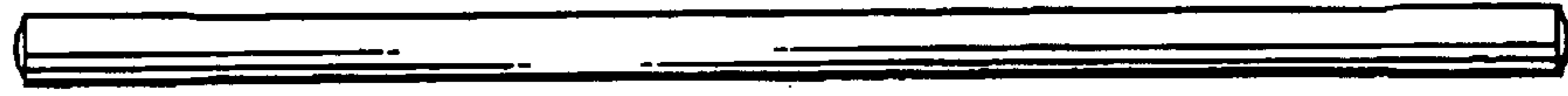


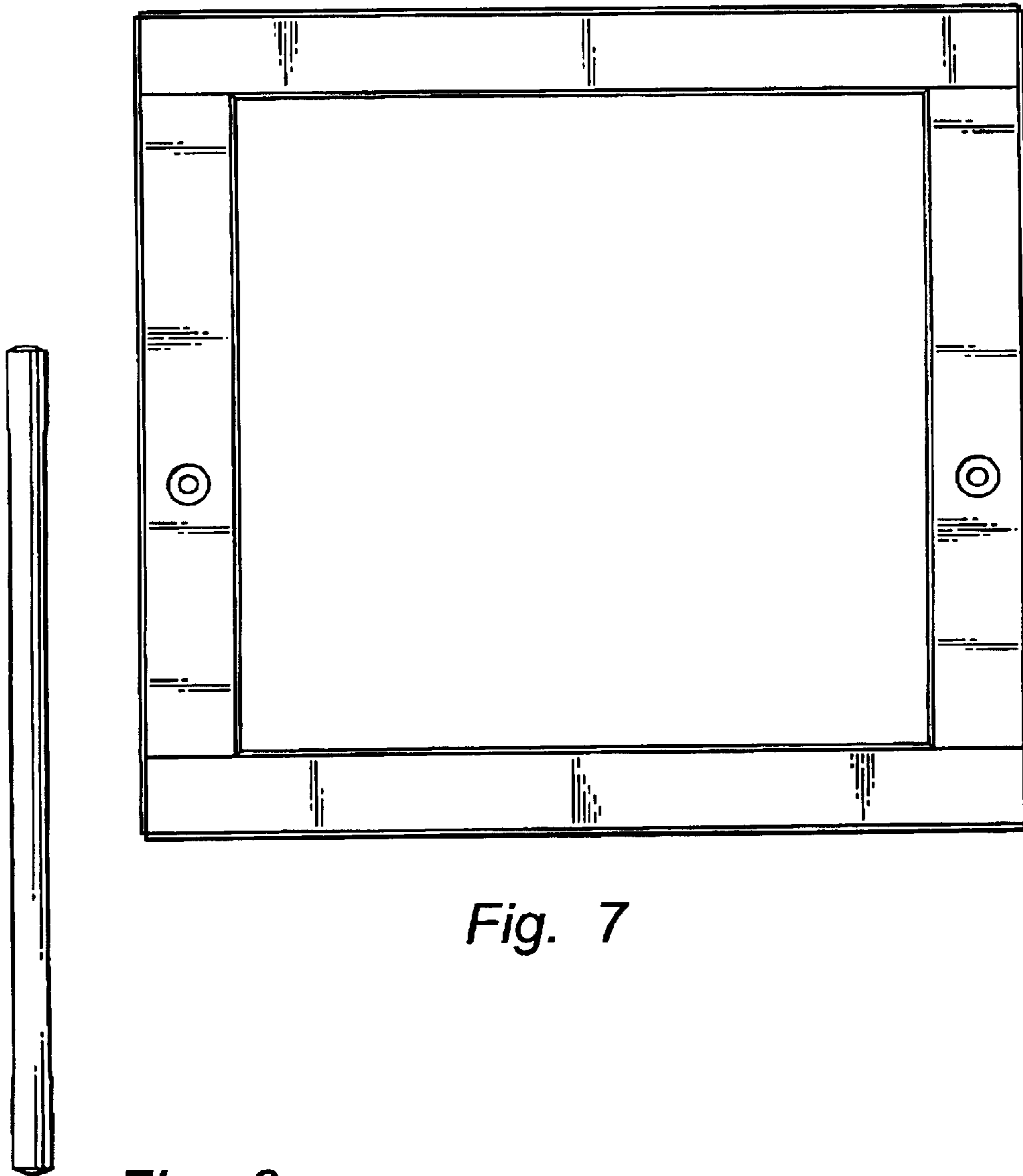
Fig. 3



Fig. 4



*Fig. 5*



*Fig. 7*

*Fig. 6*