



US00D494336S1

(12) **United States Design Patent**
Smith

(10) **Patent No.:** **US D494,336 S**

(45) **Date of Patent:** **** Aug. 10, 2004**

(54) **FOLDUP WHEEL CHAIR RAMP WITH GUIDE RAILS**

6,418,675 B1 * 7/2002 Peggs et al. 52/102
6,634,848 B2 * 10/2003 Henderson 414/537

(75) Inventor: **Allan Smith**, Victor Harbor (AU)

* cited by examiner

(73) Assignee: **Allan Smith & Associates Pty Ltd.**
(AU)

Primary Examiner—Cynthia E. Ramirez

(**) Term: **14 Years**

(57) **CLAIM**

The ornamental design for a foldup wheel chair ramp with guide rails, as shown and described.

(21) Appl. No.: **29/187,601**

DESCRIPTION

(22) Filed: **Aug. 4, 2003**

(51) **LOC (7) Cl.** **12-05**

(52) **U.S. Cl.** **D34/32**

(58) **Field of Search** D34/32; 14/69.5,
14/71.1, 71.5; 105/436; 414/537; 182/94;
254/81, 88

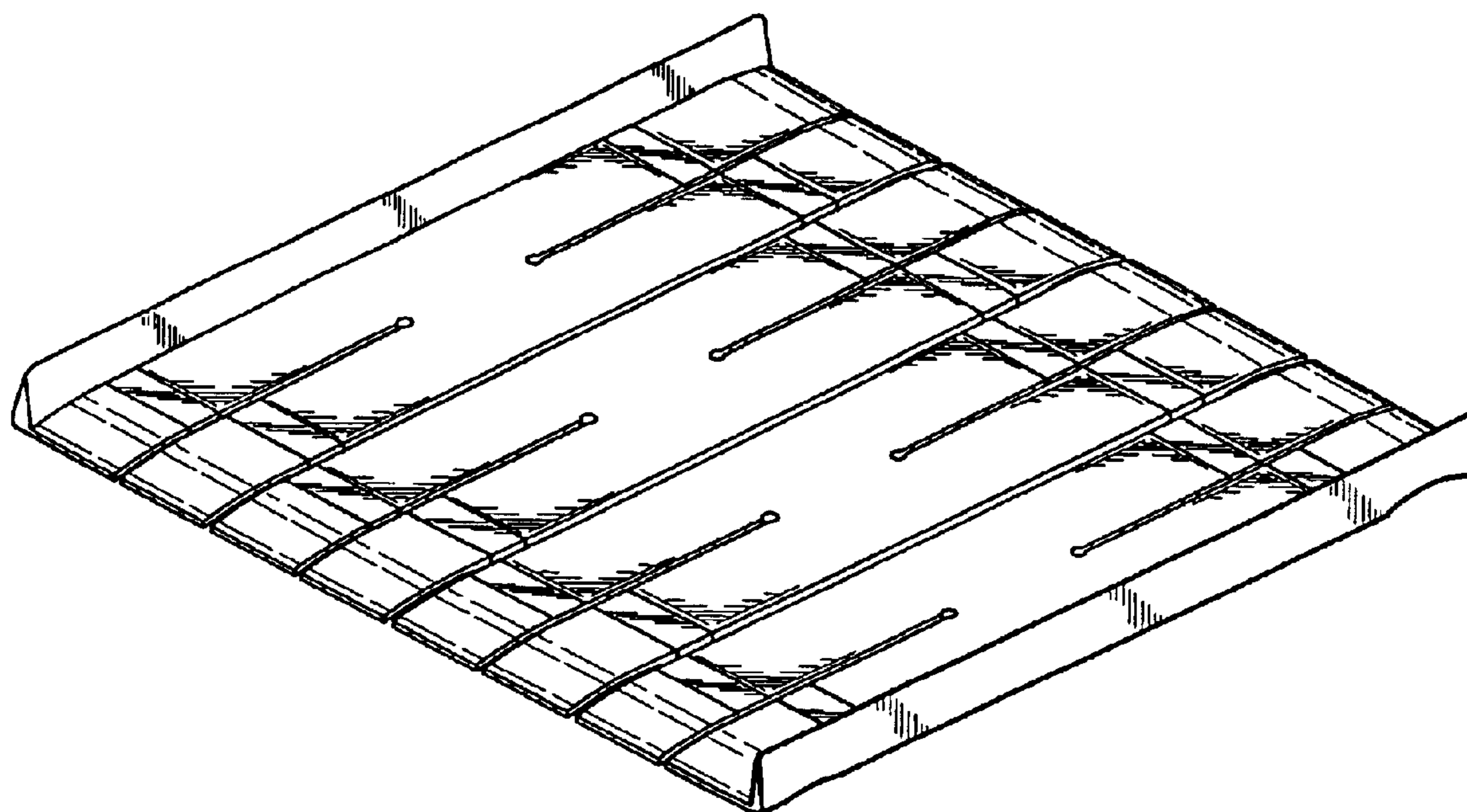
FIG. 1 is a perspective view of a first embodiment of the foldup wheelchair ramp with guide rails of my new design; FIG. 2 is a top view; FIG. 3 is a left side view, the right side being the reverse of the view shown; FIG. 4 is an end edge view, the opposite end edge being a mirror image thereof; FIG. 5 is a bottom view; FIG. 6 is a perspective view of the foldup wheel chair ramp with guide rails in a folded condition; FIG. 7 is a perspective view of a second embodiment of a foldup wheel chair ramp with guide rails of my new design; FIG. 8 is a top view; FIG. 9 is a right side view, the left side being the reverse of the view shown; FIG. 10 is an end edge view, the opposite end edge being a mirror image thereof; and, FIG. 11 is a perspective view of the ramp in a folded condition.

(56) **References Cited**

U.S. PATENT DOCUMENTS

D246,449 S	*	11/1977	Poe	D34/32
D299,776 S	*	2/1989	Canterberry	D34/32
D311,798 S	*	10/1990	Boots et al.	D34/32
D315,046 S	*	2/1991	Abrams	D34/32
D346,256 S	*	4/1994	Thomas et al.	D34/32
D353,071 S	*	12/1994	Roberts	D6/583
D373,885 S	*	9/1996	Holland, Jr.	D34/32
D382,676 S	*	8/1997	Holbrook	D30/119
5,671,496 A	*	9/1997	Smith	14/69.5
6,269,508 B1	*	8/2001	Younce	14/69.5
6,293,748 B1	*	9/2001	Savaria	414/537

1 Claim, 4 Drawing Sheets



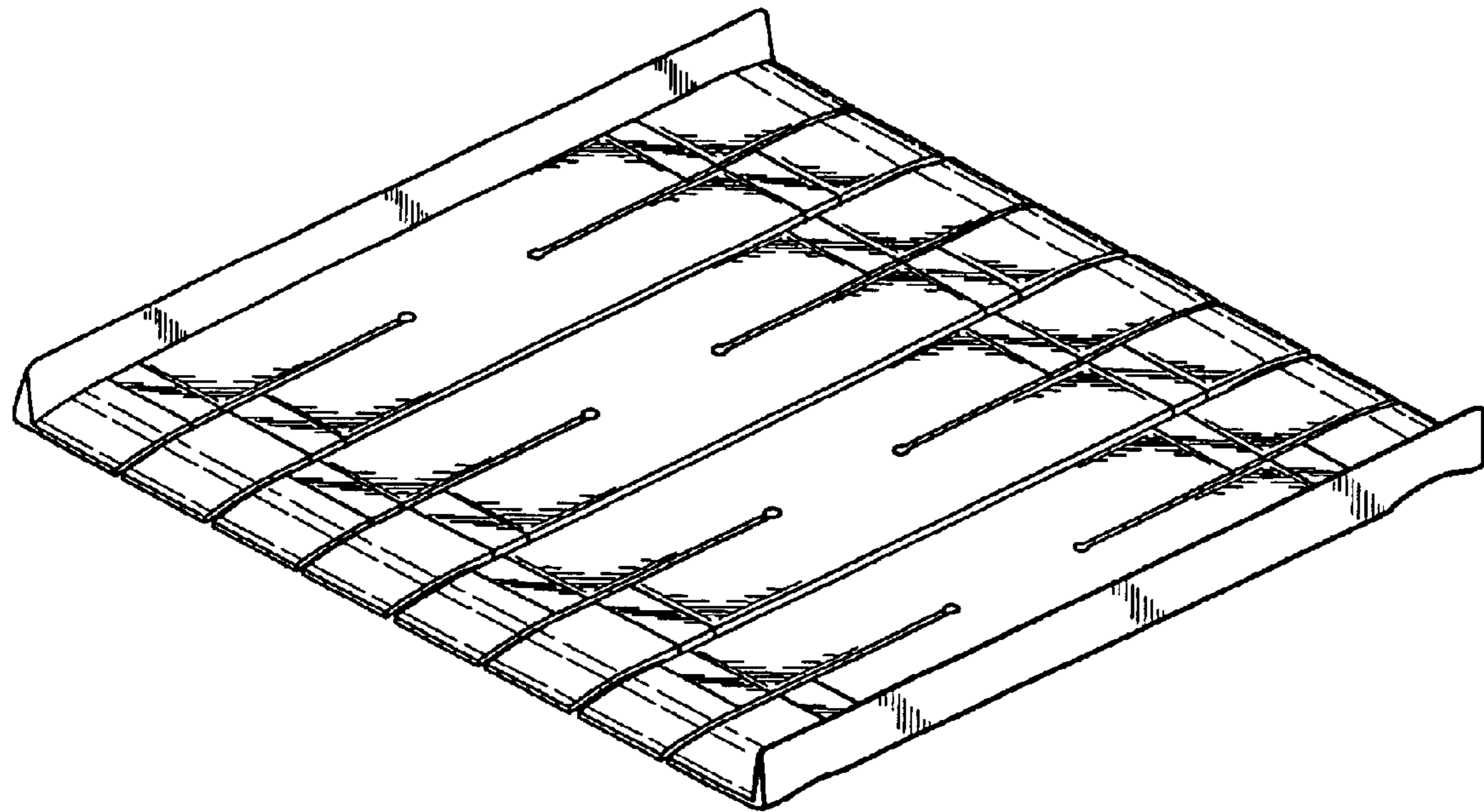


Fig. 1

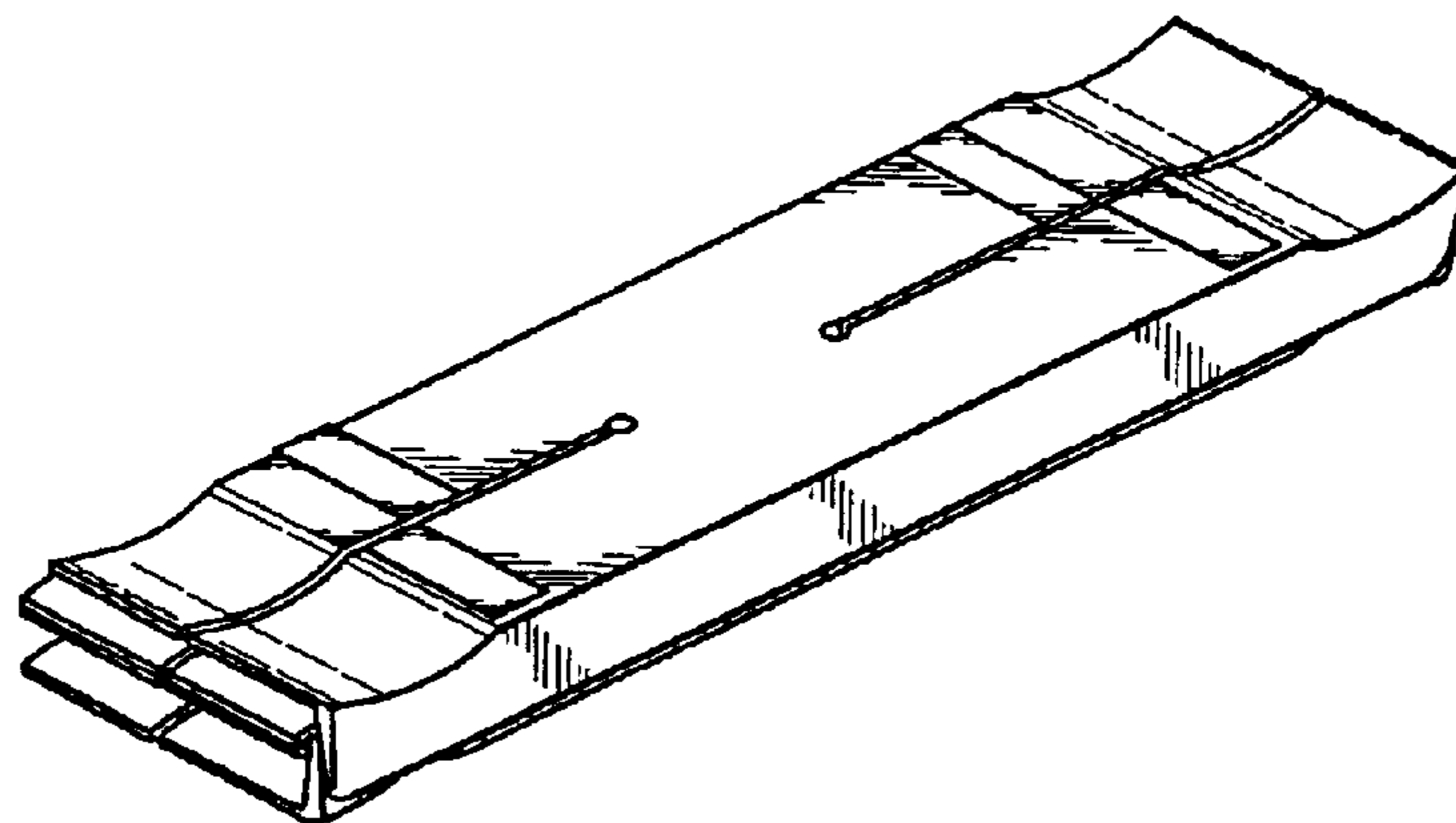


Fig. 6

Fig. 4



Fig. 3

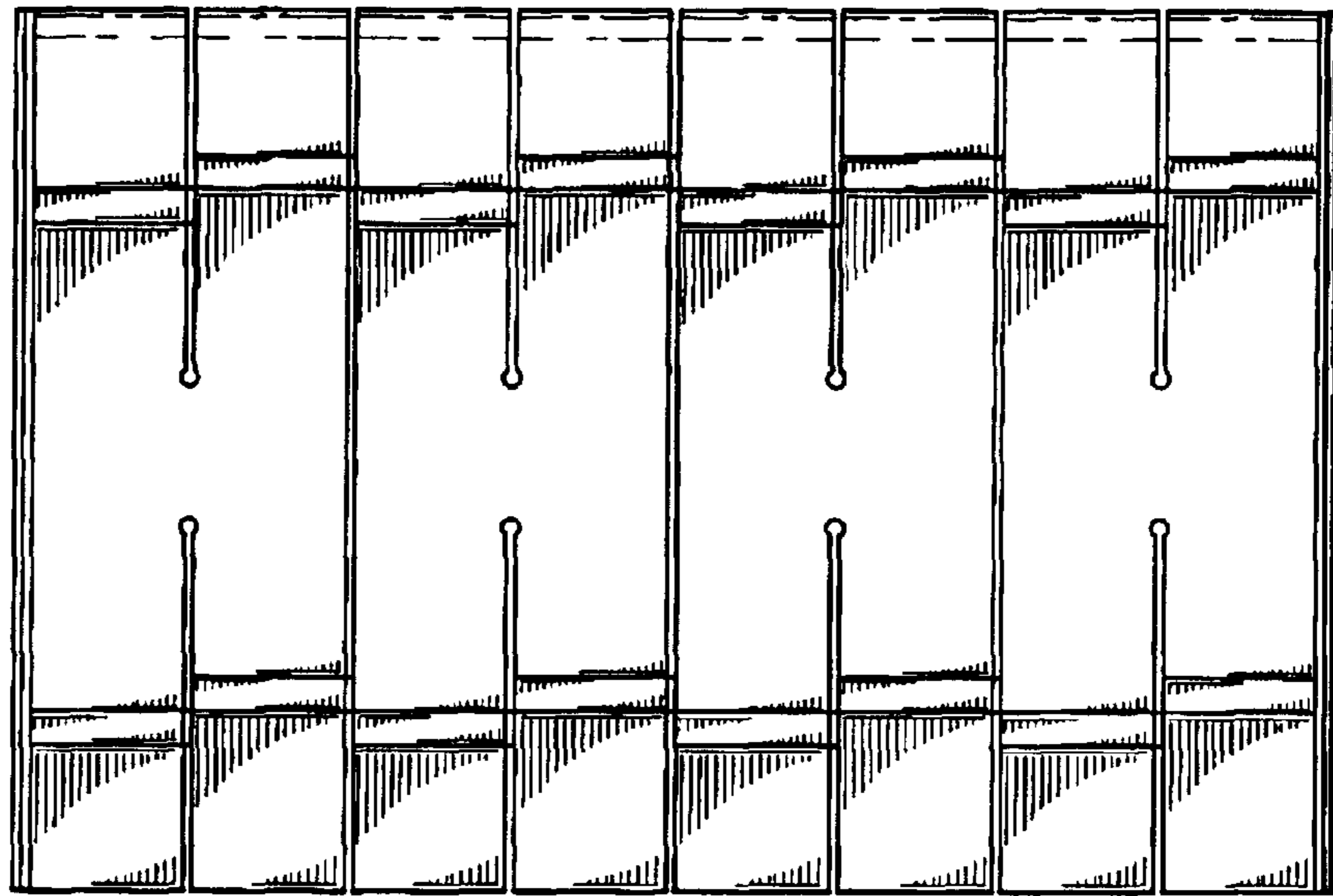


Fig. 2

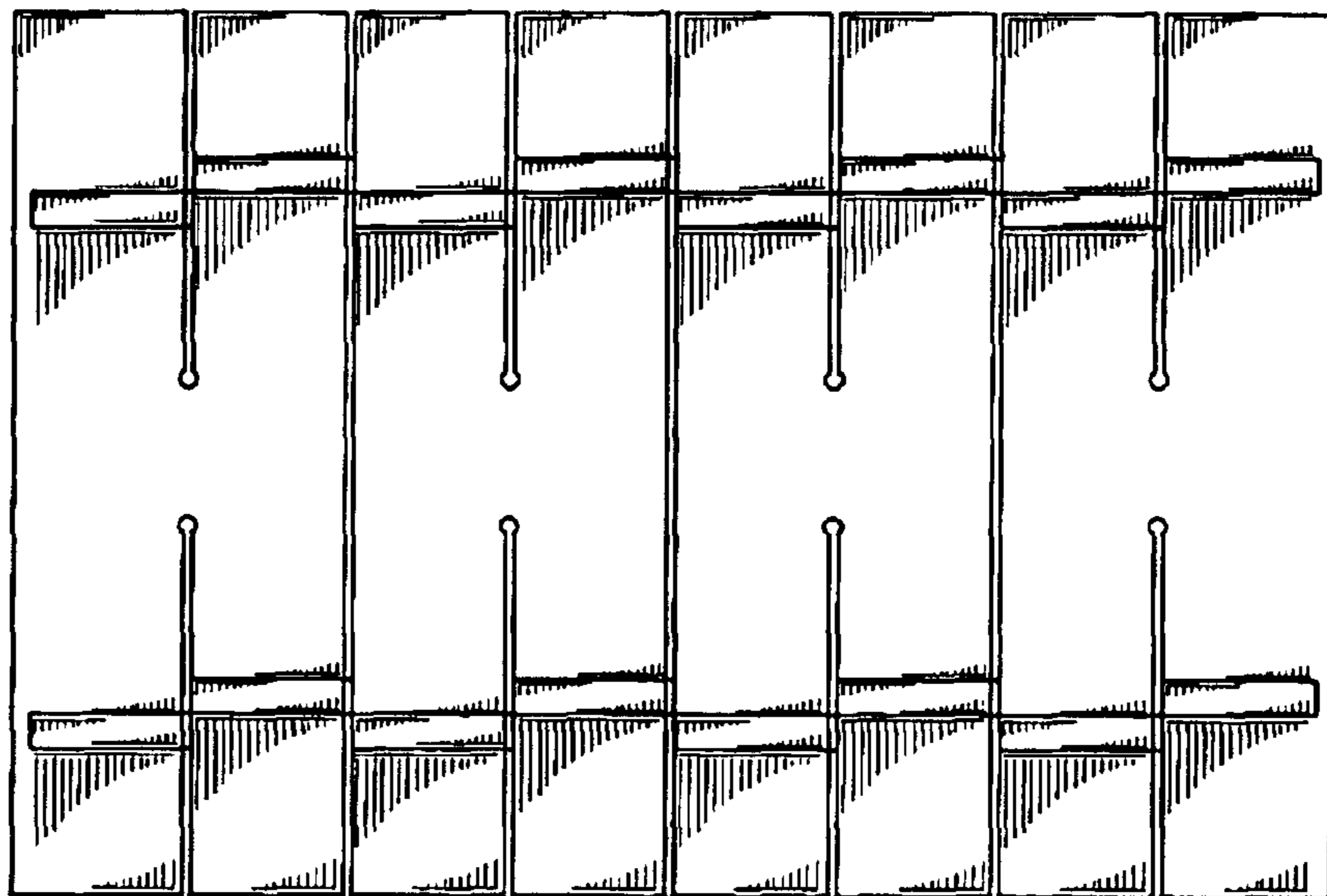


Fig. 5

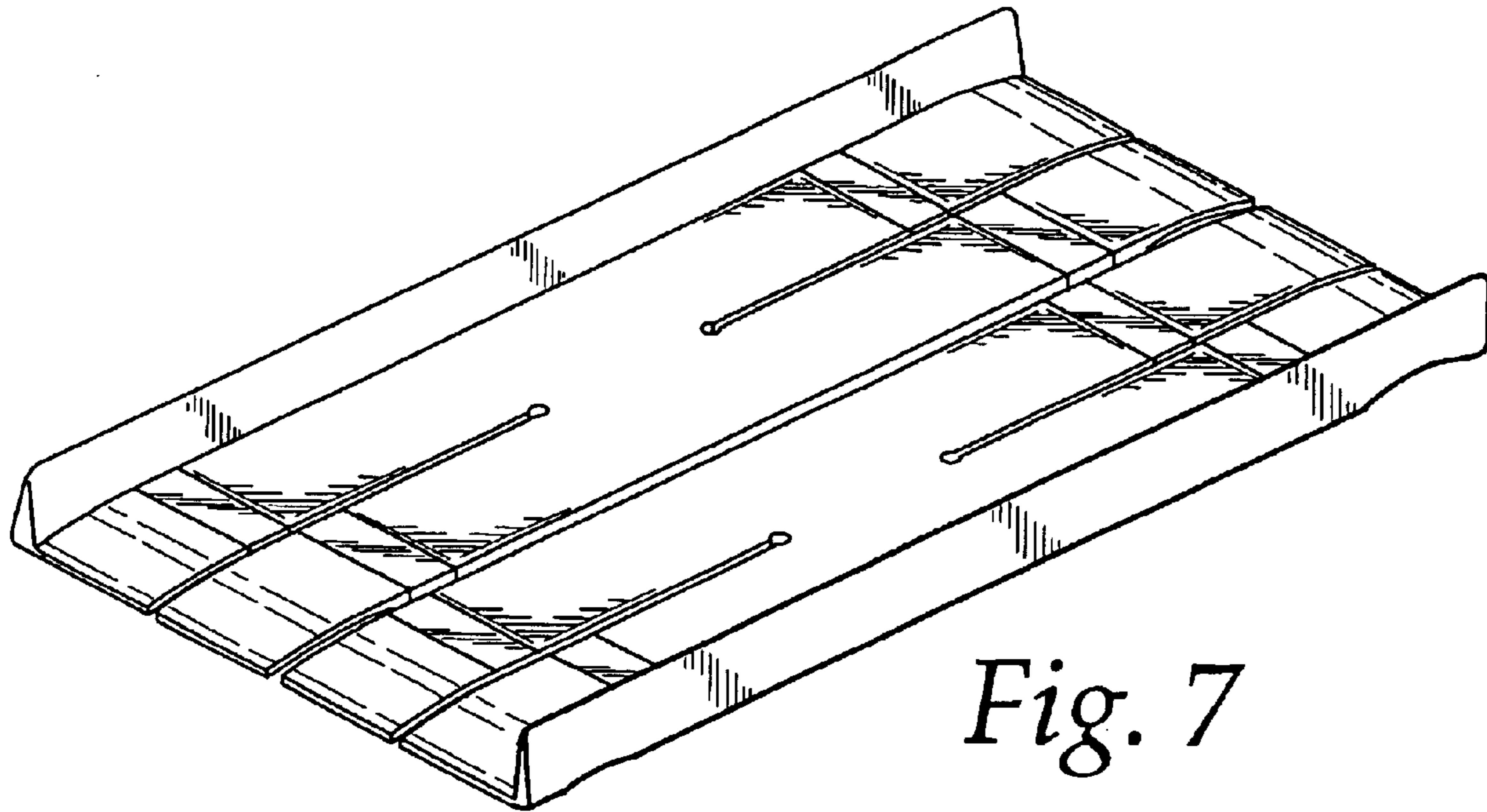


Fig. 7

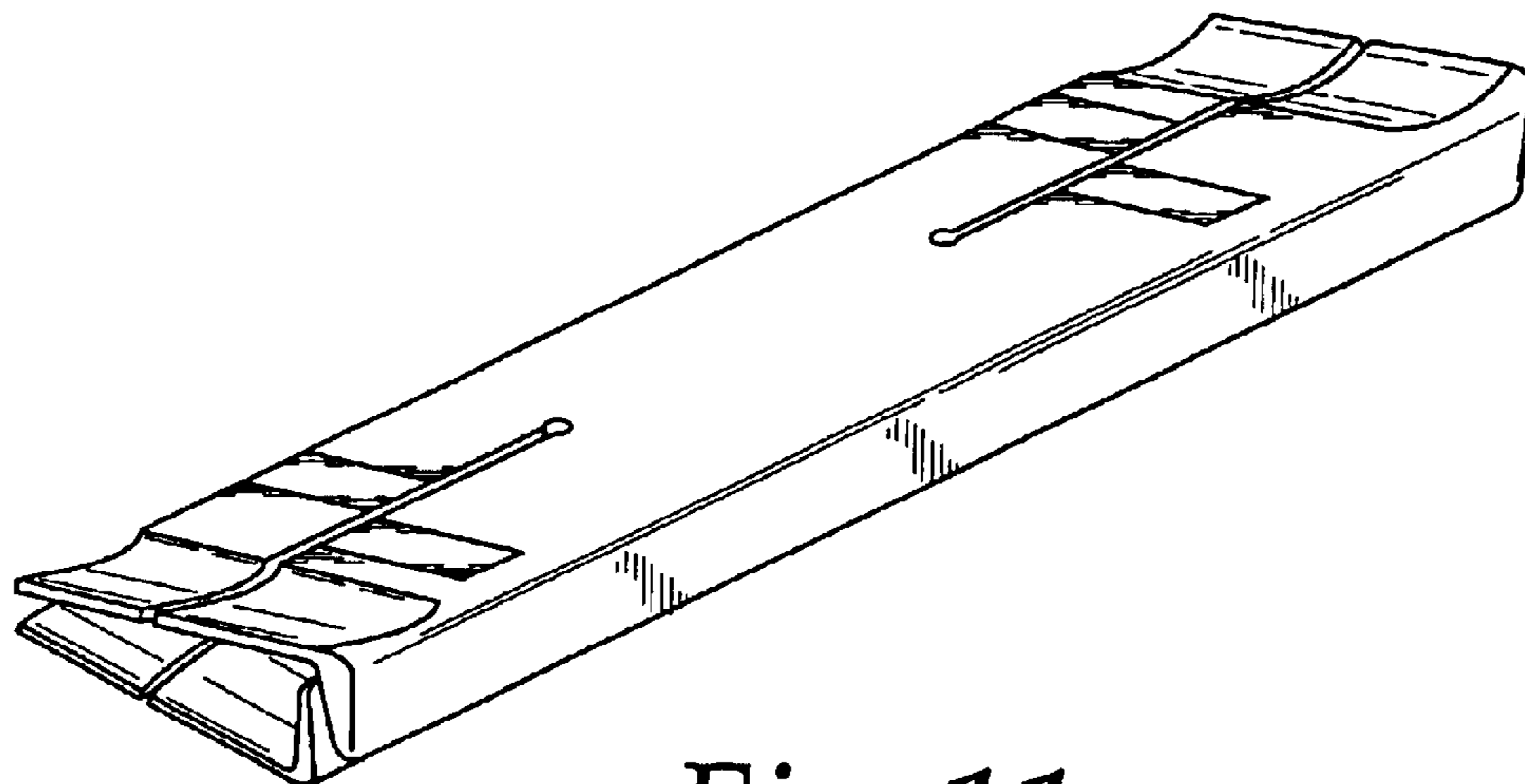


Fig. 11

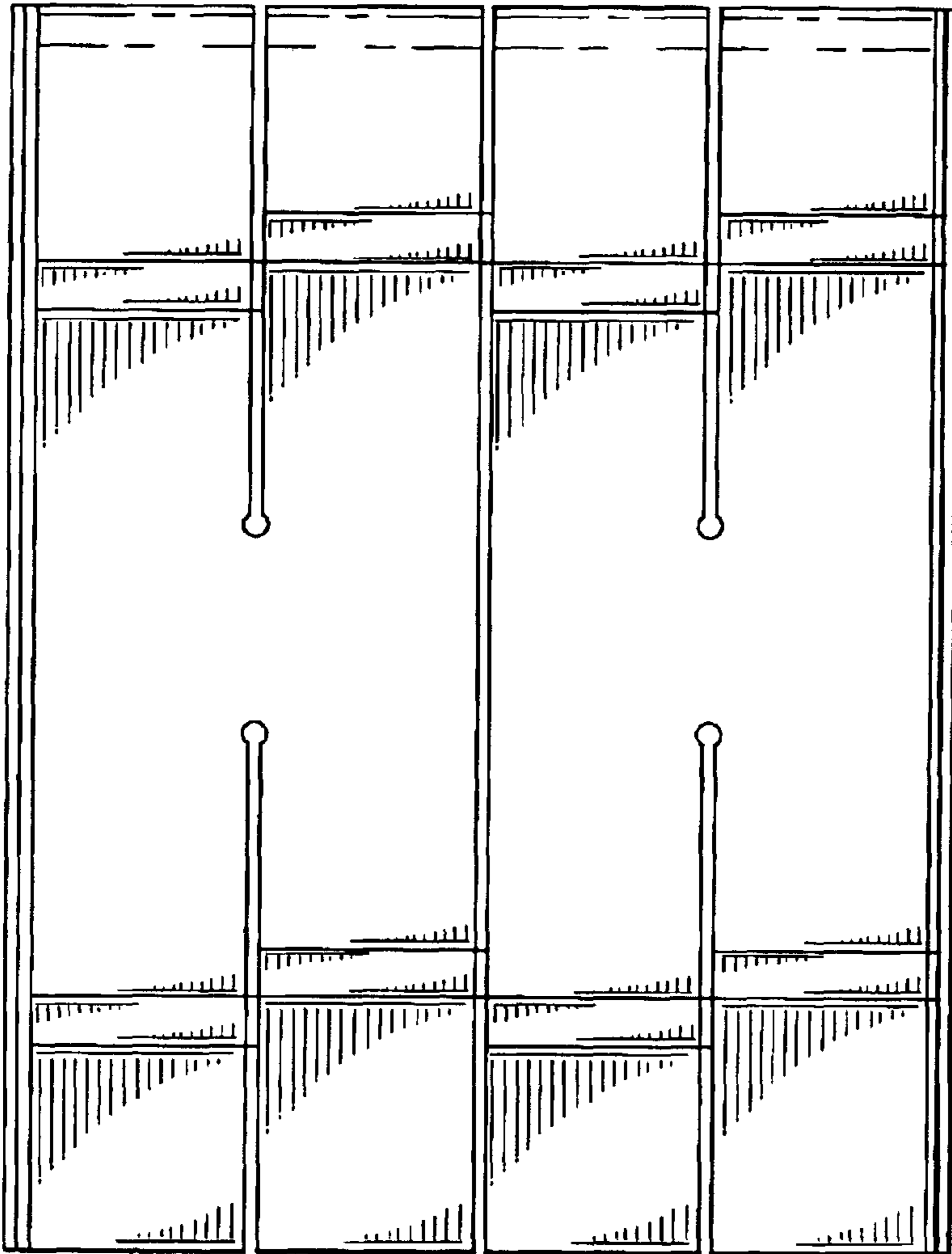


Fig. 8

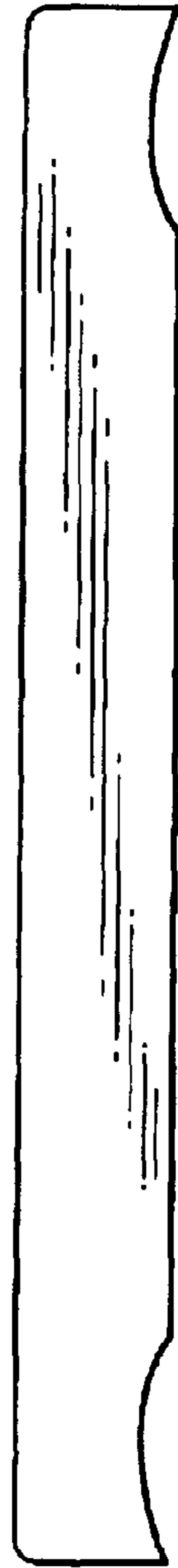


Fig. 9

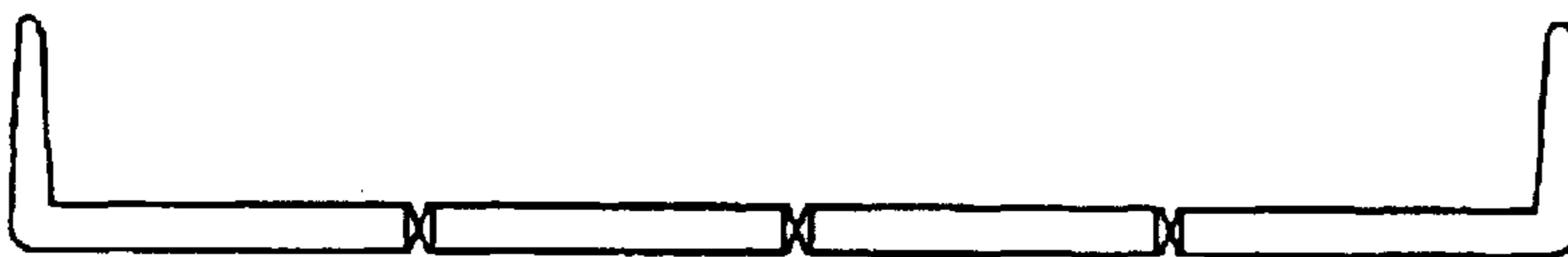


Fig. 10