



US00D494335S1

(12) **United States Design Patent**  
**Oberg**

(10) **Patent No.:** **US D494,335 S**

(45) **Date of Patent:** **\*\* Aug. 10, 2004**

(54) **STORAGE DOLLY**

(75) **Inventor:** **James D. Oberg**, Alexandria, MN (US)

(73) **Assignee:** **B.A.C. Industries, Inc.**, Hopkins, MN (US)

(\*\*) **Term:** **14 Years**

(21) **Appl. No.:** **29/194,452**

(22) **Filed:** **Nov. 25, 2003**

(51) **LOC (7) Cl.** ..... **12-02**

(52) **U.S. Cl.** ..... **D34/23**

(58) **Field of Search** ..... 834/12-27; 280/79.11, 280/79.2, 79.3, 652, 47.34, 47.35, 32.6

(56) **References Cited**

**U.S. PATENT DOCUMENTS**

- 3,338,591 A \* 8/1967 Rowland ..... 280/79.11
- D346,252 S \* 4/1994 Jones et al. .... D34/23
- D352,586 S \* 11/1994 Baucom ..... D34/23

- D356,412 S \* 3/1995 Hensley, Jr. .... D34/23
- D390,314 S \* 2/1998 Chen ..... D34/23
- D427,406 S \* 6/2000 Hartwall ..... D34/23

\* cited by examiner

*Primary Examiner*—Kay H. Chin

(74) *Attorney, Agent, or Firm*—Nikolai & Mersereau, P.A.

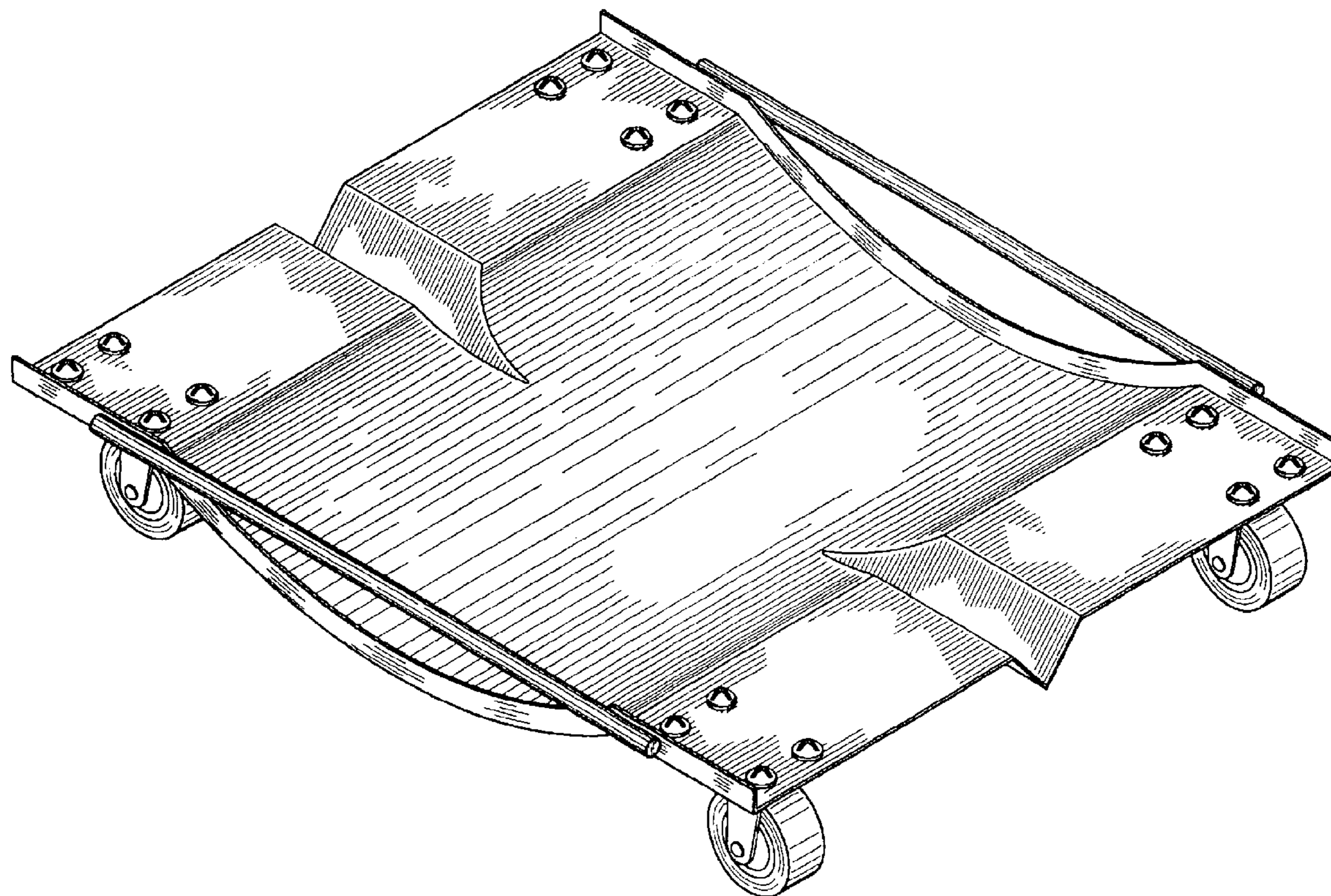
(57) **CLAIM**

The ornamental design for the “storage dolly,” as shown and described.

**DESCRIPTION**

FIG. 1 is a top perspective view of the storage dolly;  
 FIG. 2 is a bottom perspective view thereof;  
 FIG. 3 is a top view thereof;  
 FIG. 4 is a bottom view thereof;  
 FIG. 5 is a front view thereof; and,  
 FIG. 6 is a side view thereof; wherein the front and rear views are symmetric and the side views are symmetric.

**1 Claim, 5 Drawing Sheets**



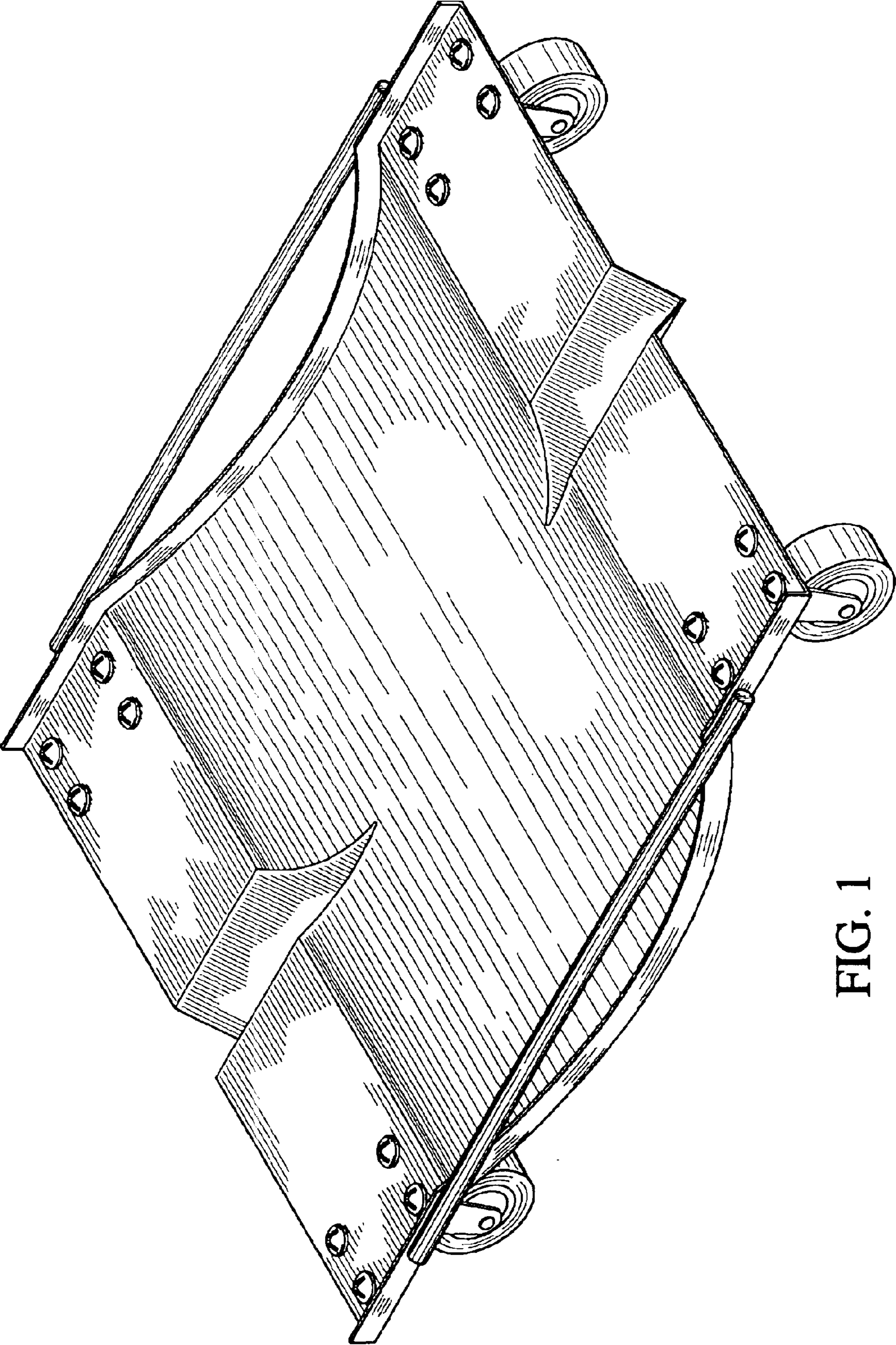


FIG. 1

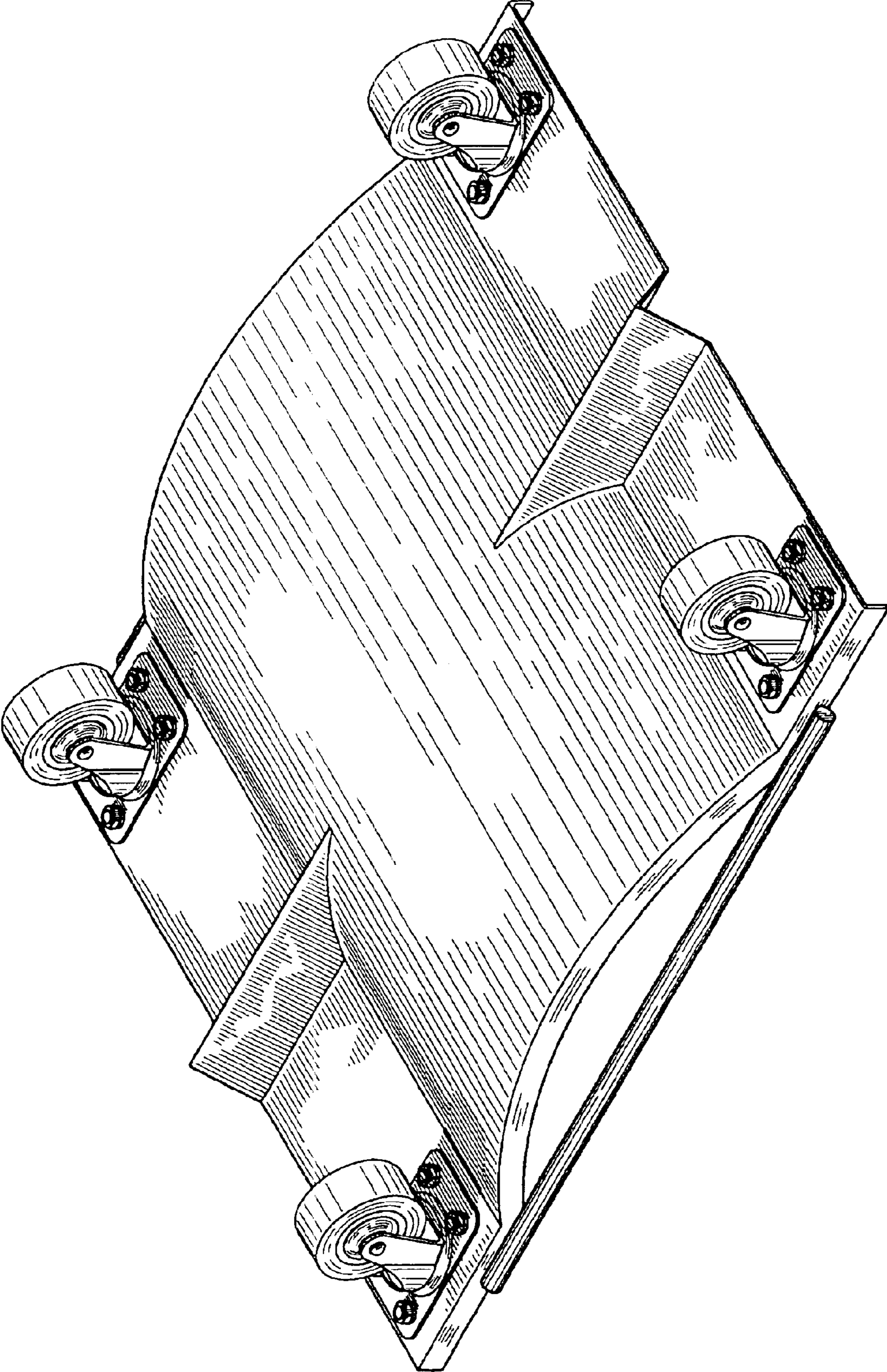


FIG. 2

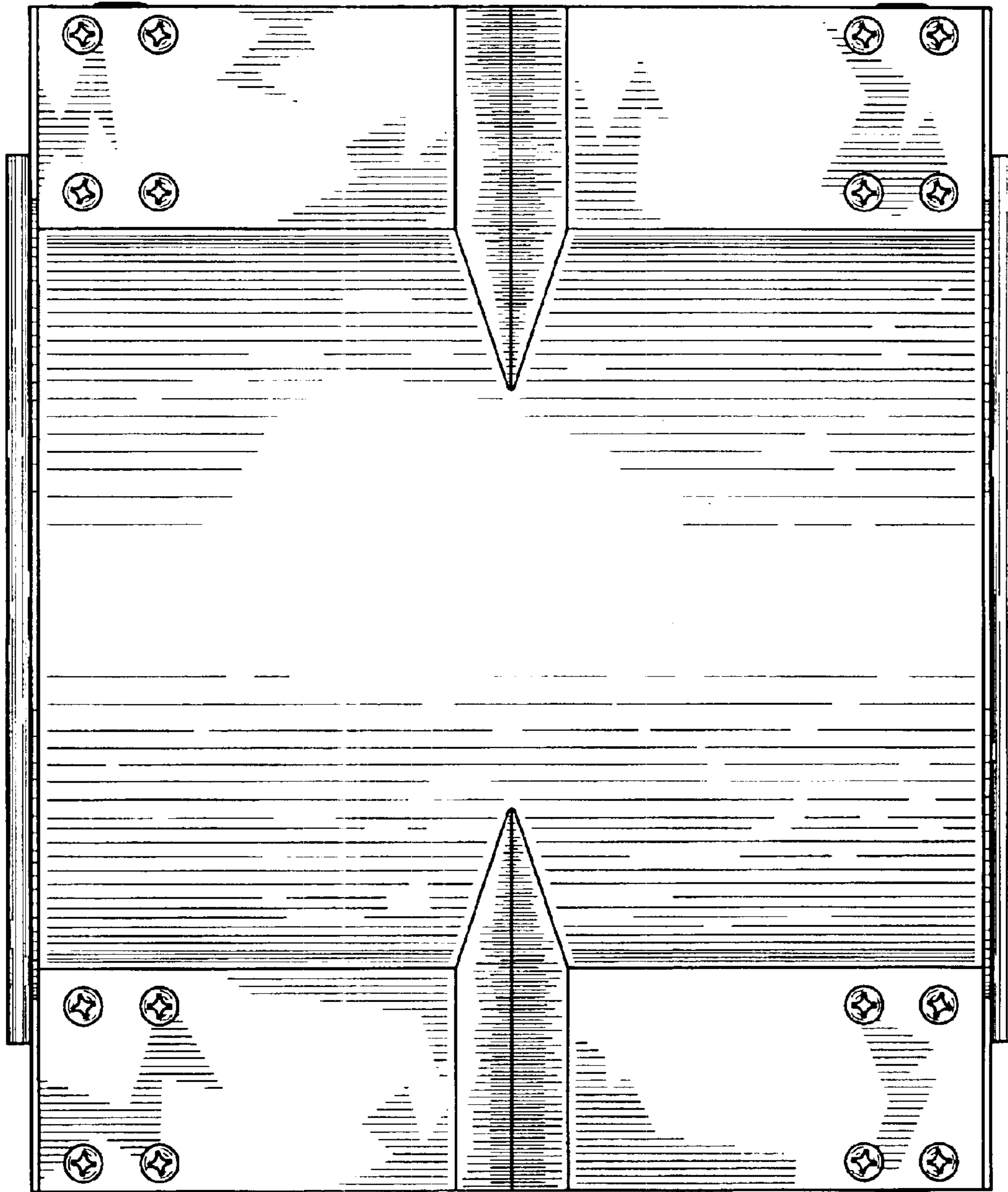


FIG. 3

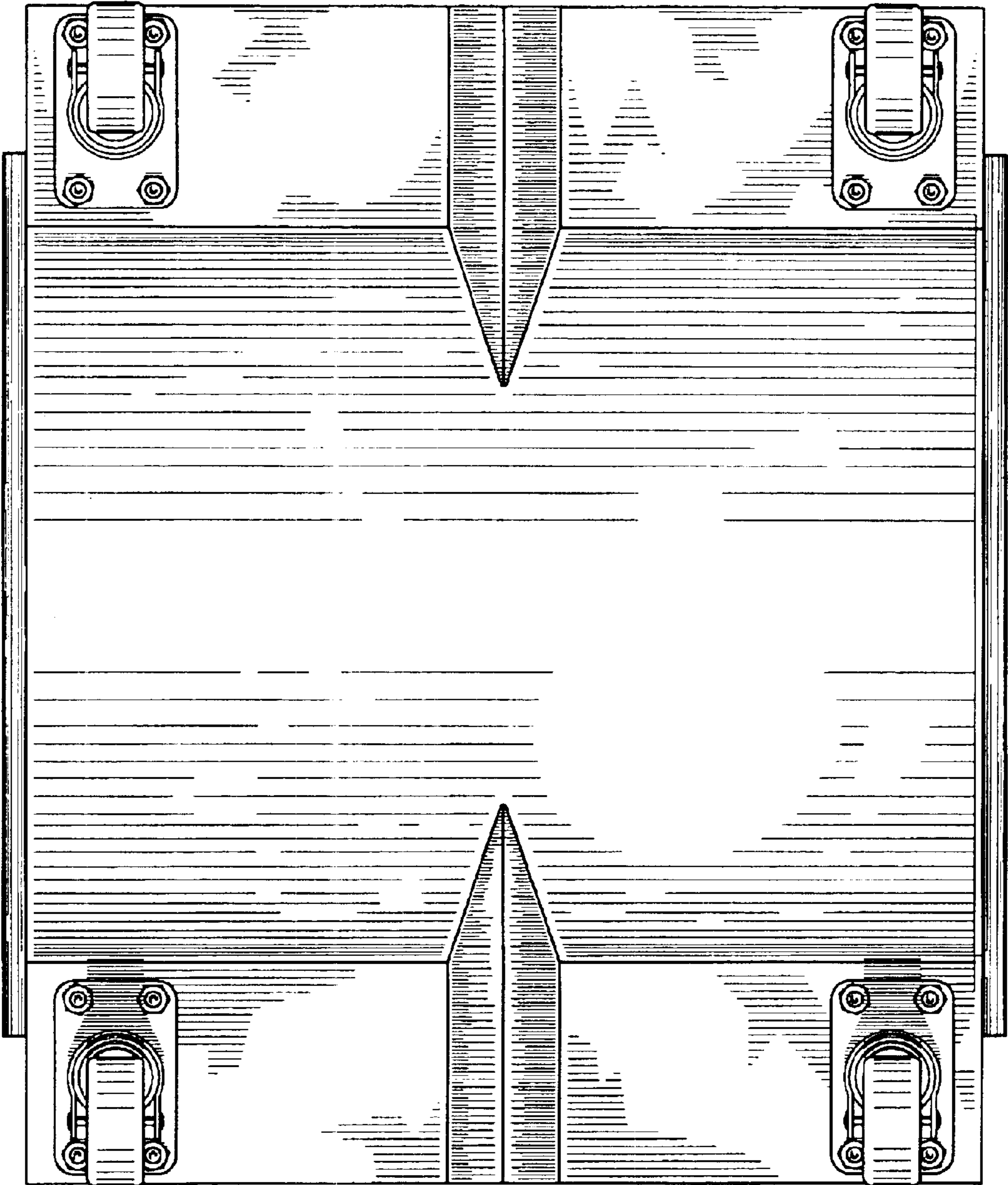


FIG. 4

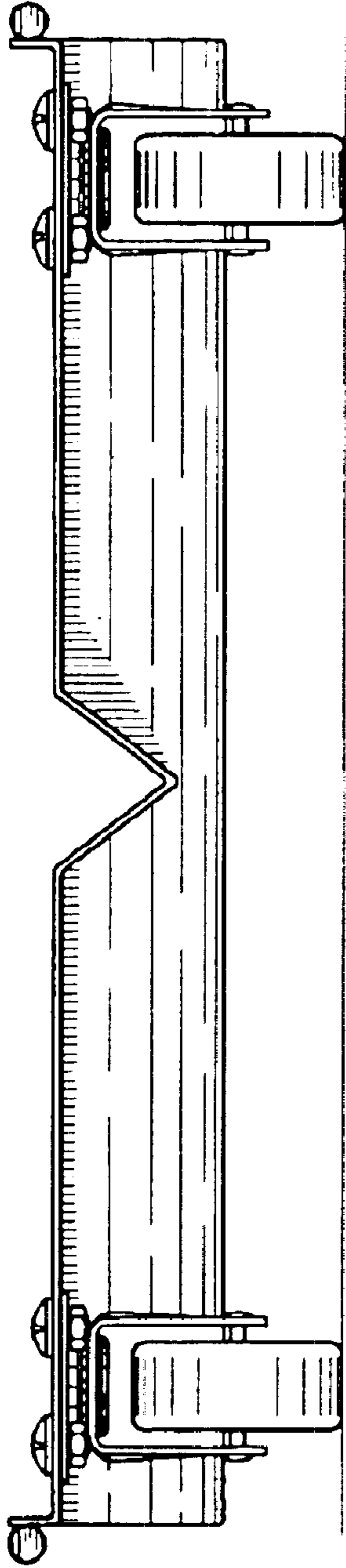


FIG. 5

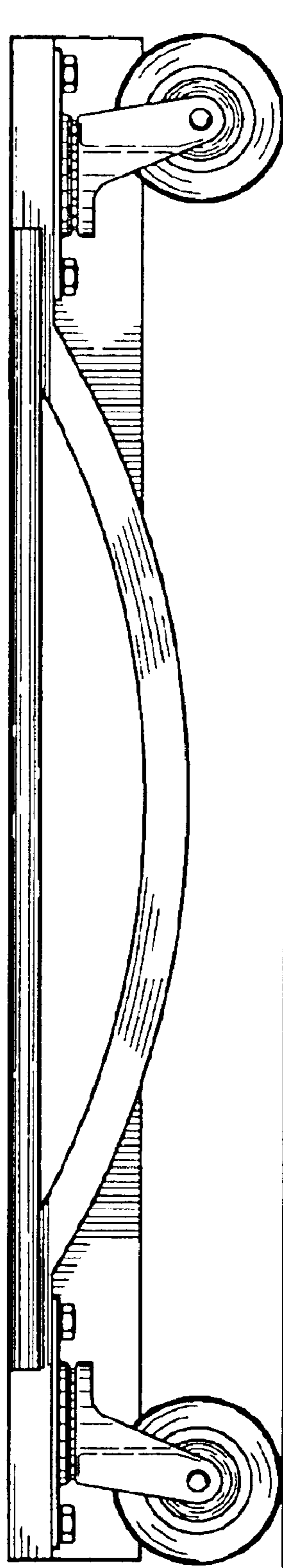


FIG. 6