

US00D494333S1

(12) **United States Design Patent**
Schröter

(10) **Patent No.: US D494,333 S**

(45) **Date of Patent: ** Aug. 10, 2004**

(54) **COMBINED VACUUM CLEANER HANDLE AND RELEASABLE ATTACHMENT**

(75) Inventor: **Jörg Schröter**, Gröbenzell (DE)

(73) Assignee: **BSH Bosch und Siemens Hausgerate GmbH**, Munich (DE)

(**) Term: **14 Years**

(21) Appl. No.: **29/146,646**

(22) Filed: **Aug. 13, 2001**

(30) **Foreign Application Priority Data**

Feb. 13, 2001 (WO) DM/055 245

(51) **LOC (7) Cl. 15-05**

(52) **U.S. Cl. D32/34**

(58) **Field of Search** D32/21-22, 31,
D32/34; 15/320-321, 347, 350-353, 361,
410-411, 377, 323, DIG. 10; 174/46; 285/7;
439/191

(56) **References Cited**

U.S. PATENT DOCUMENTS

D237,036 S * 10/1975 Neceda D32/31
4,915,640 A * 4/1990 Hayden 439/191

D315,043 S * 2/1991 Hayden D32/34
D333,023 S * 2/1993 Herron, Jr. D32/34
D353,917 S * 12/1994 Hoekstra et al. D32/31
5,551,731 A * 9/1996 Gray et al. 285/7
D406,422 S * 3/1999 Burchard et al. D32/34
6,286,182 B1 * 9/2001 Mulder et al. 15/323

* cited by examiner

Primary Examiner—Ruth McInroy

(74) *Attorney, Agent, or Firm*—Laurence A. Greenberg;
Werner H. Stemer; Gregory L. Mayback

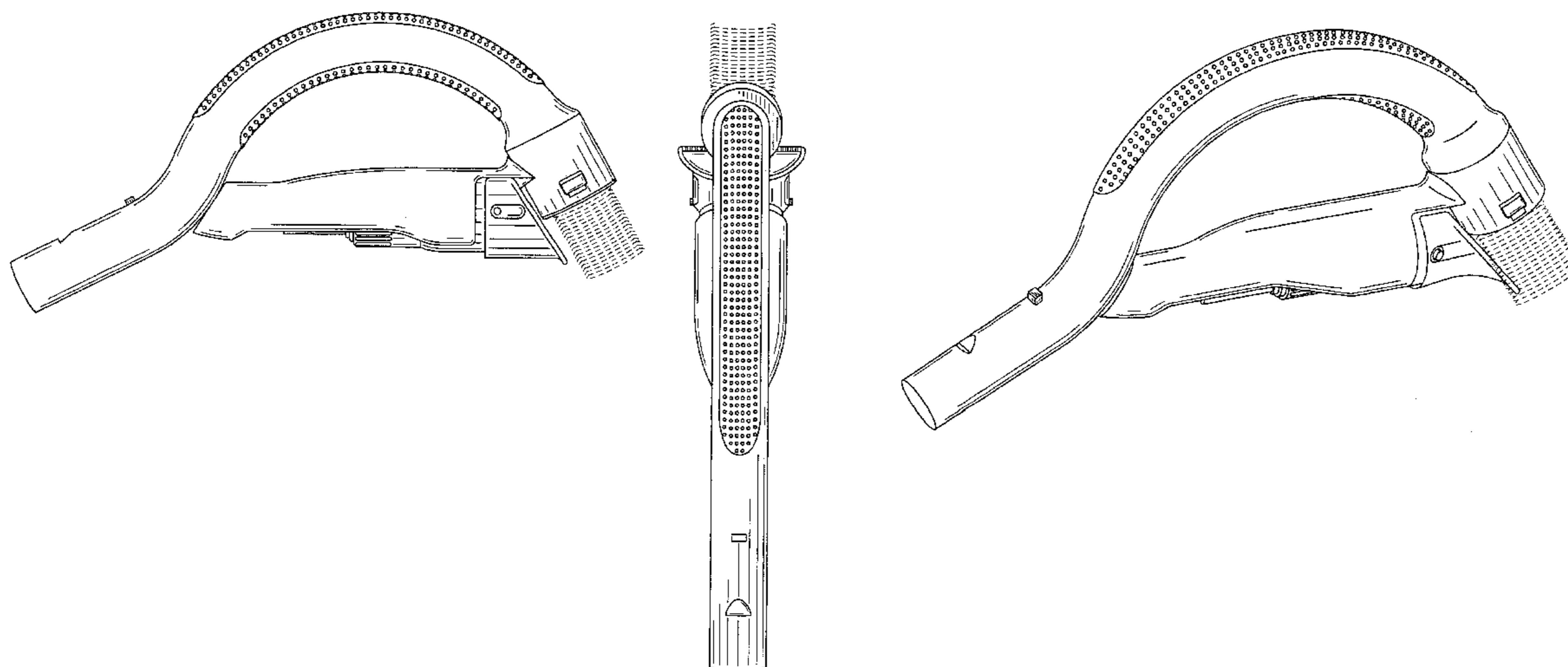
(57) **CLAIM**

The ornamental design for a combined vacuum cleaner handle and releasable attachment, as shown and described.

DESCRIPTION

FIG. 1 is a left side view of a combined vacuum cleaner handle and releasable attachment showing my new design; FIG. 2 is a right side view thereof; FIG. 3 is a rear view thereof; FIG. 4 is a front view thereof; FIG. 5 is a top view thereof; FIG. 6 is a bottom view thereof; FIG. 7 is a bottom perspective view thereof; and, FIG. 8 is a top perspective view thereof.

1 Claim, 6 Drawing Sheets



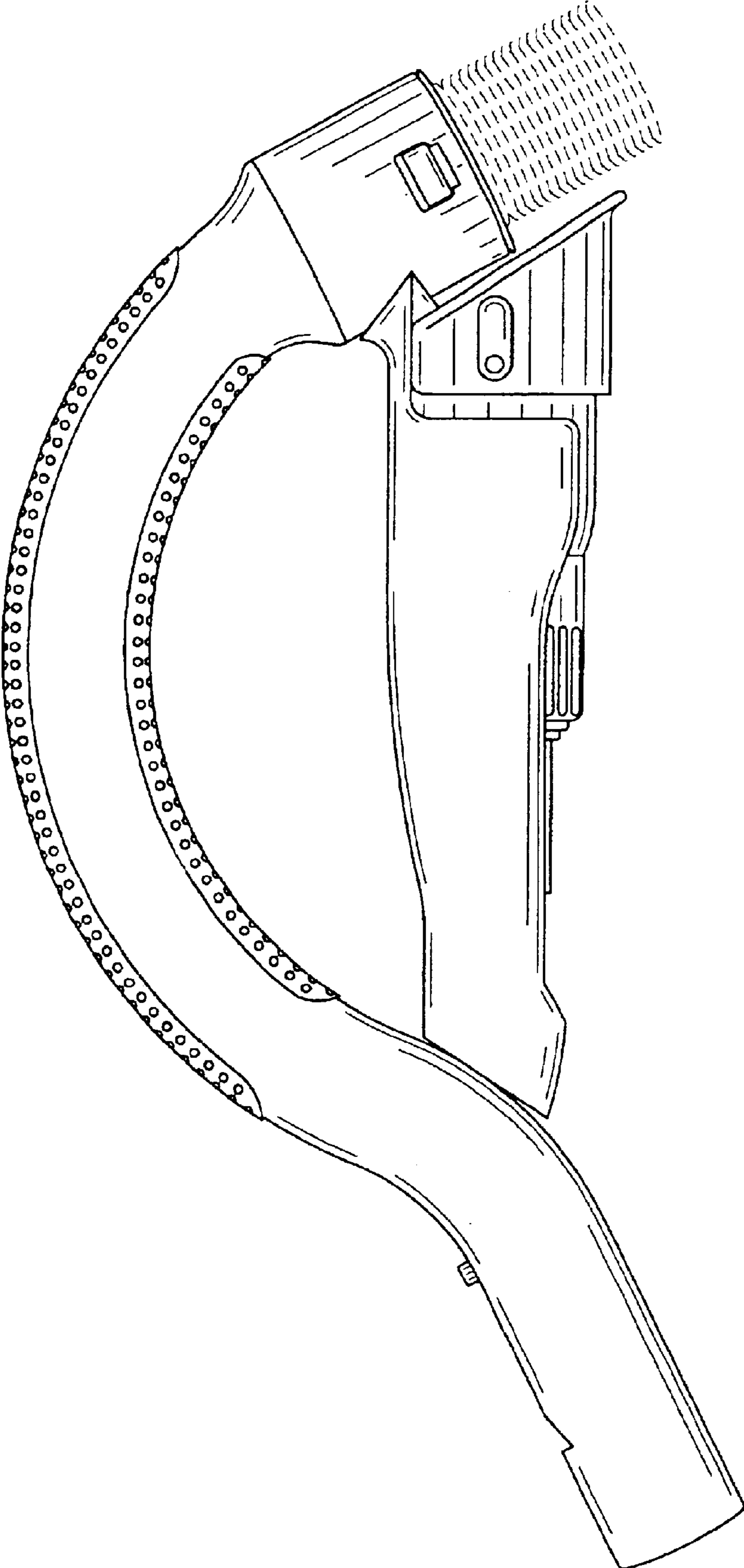


Fig. 1

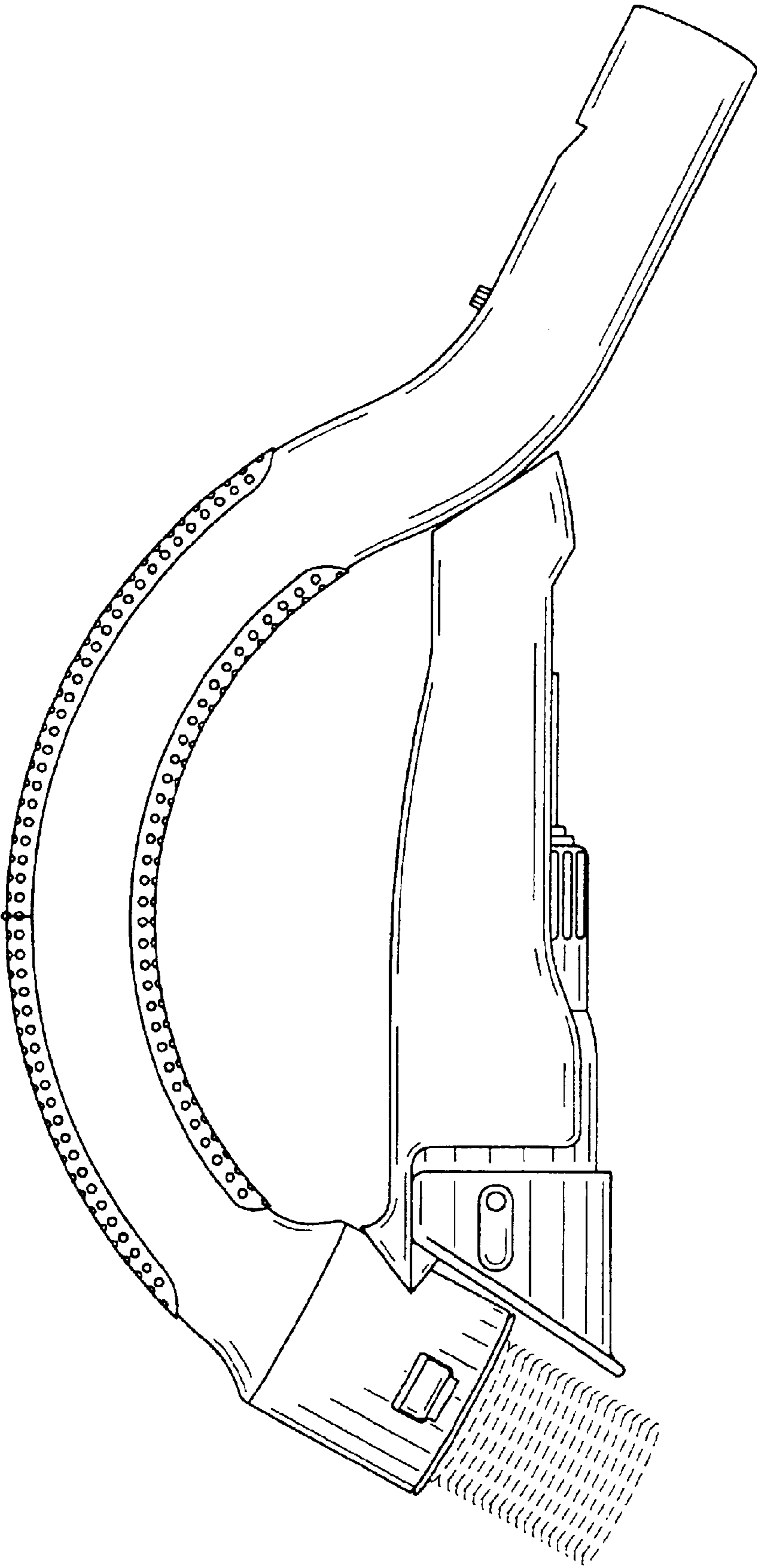


Fig. 2

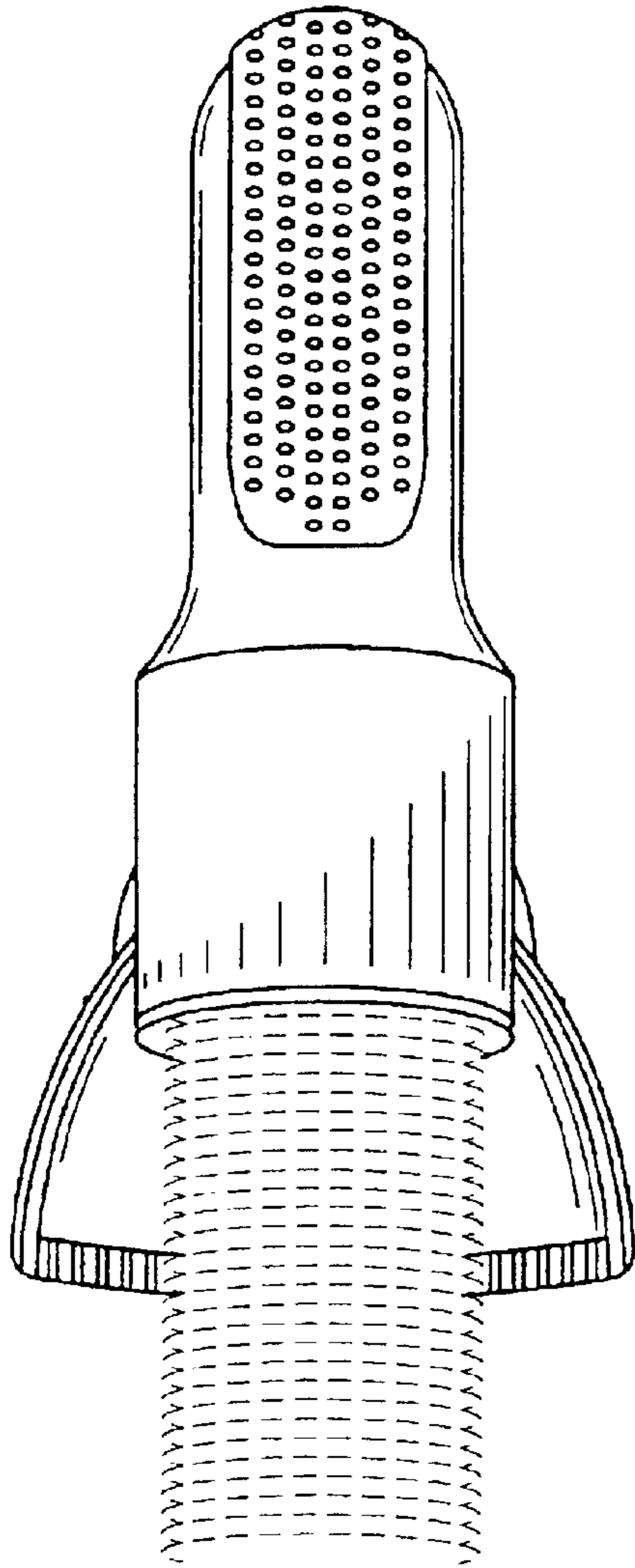


Fig. 3

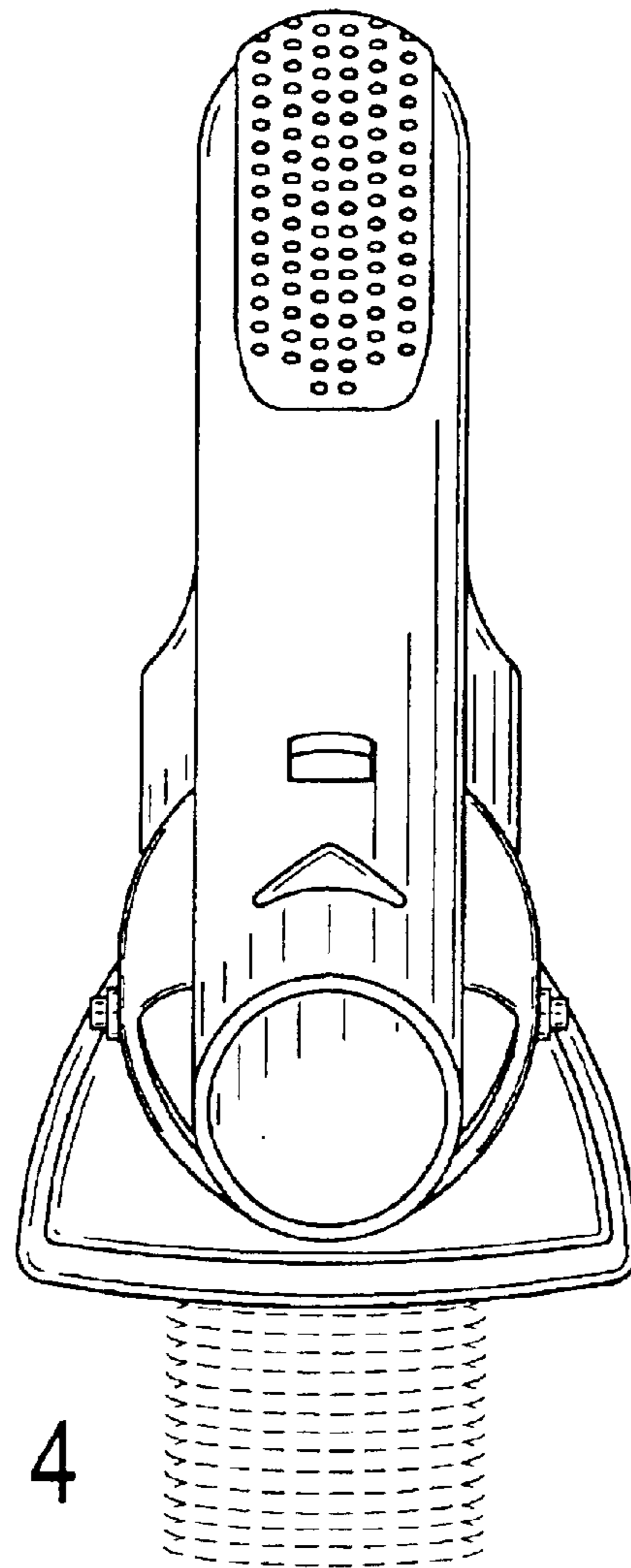


Fig. 4

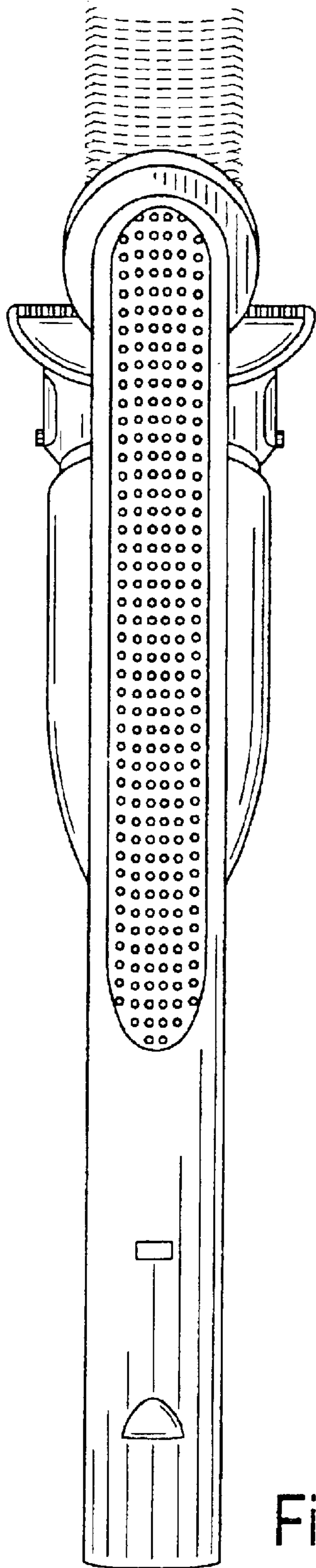


Fig. 5

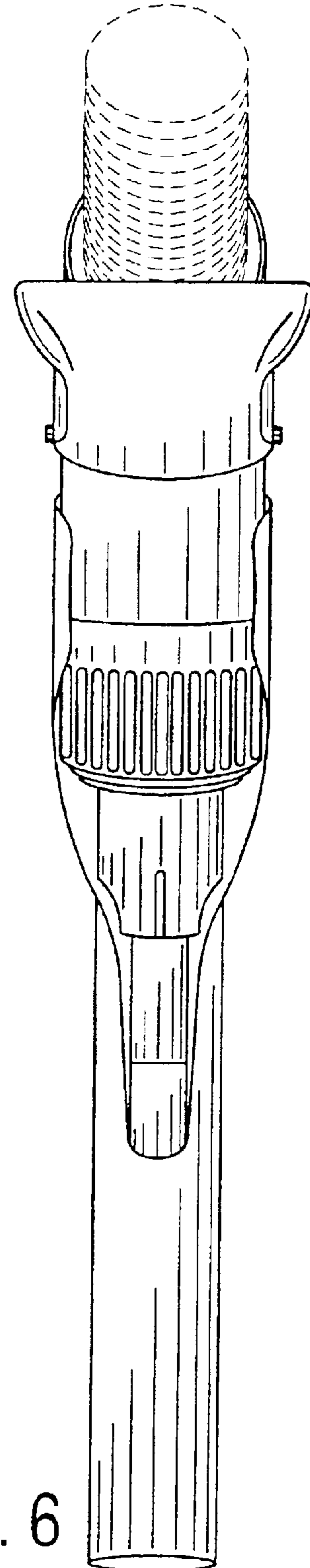


Fig. 6

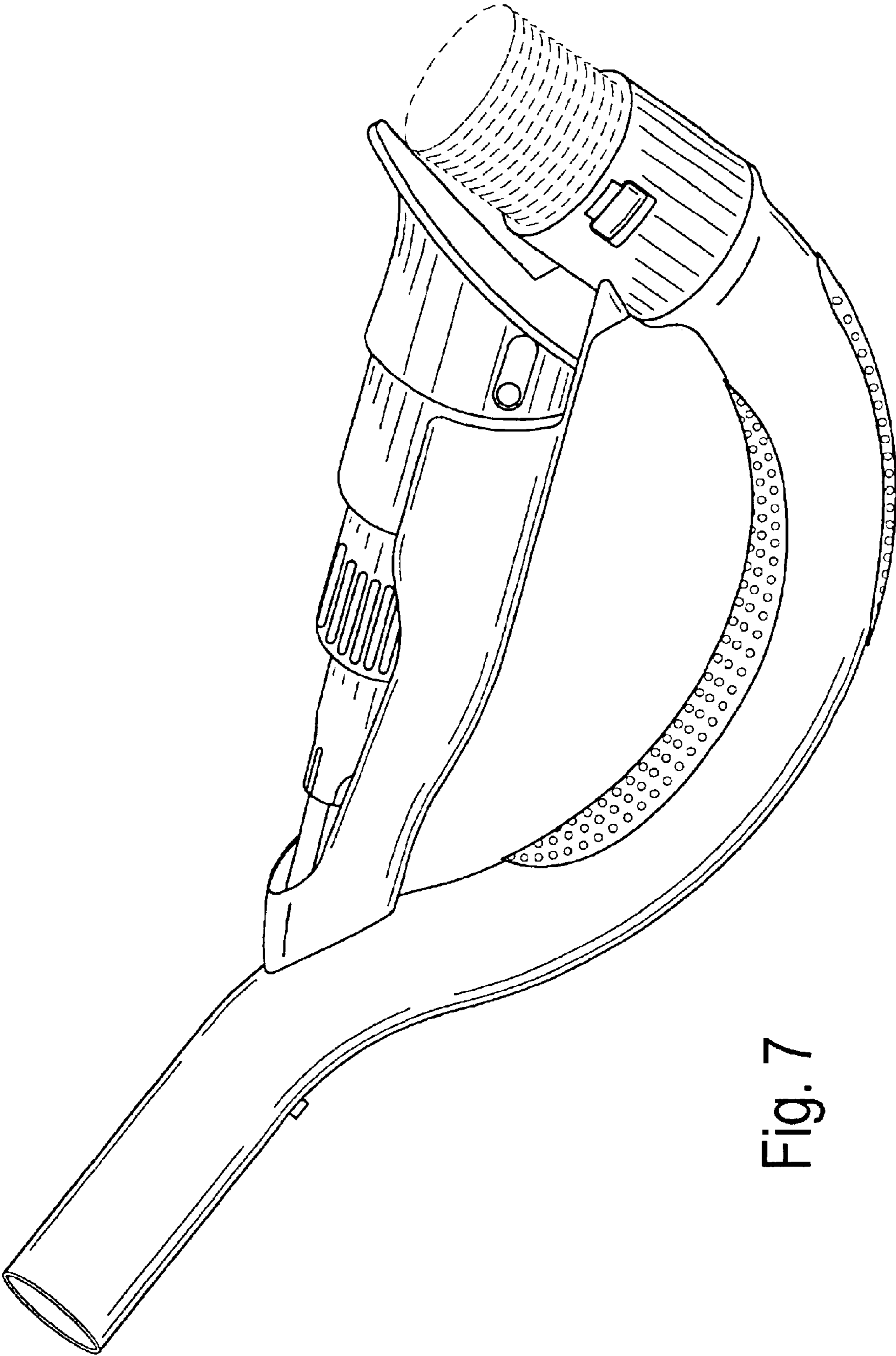


Fig. 7

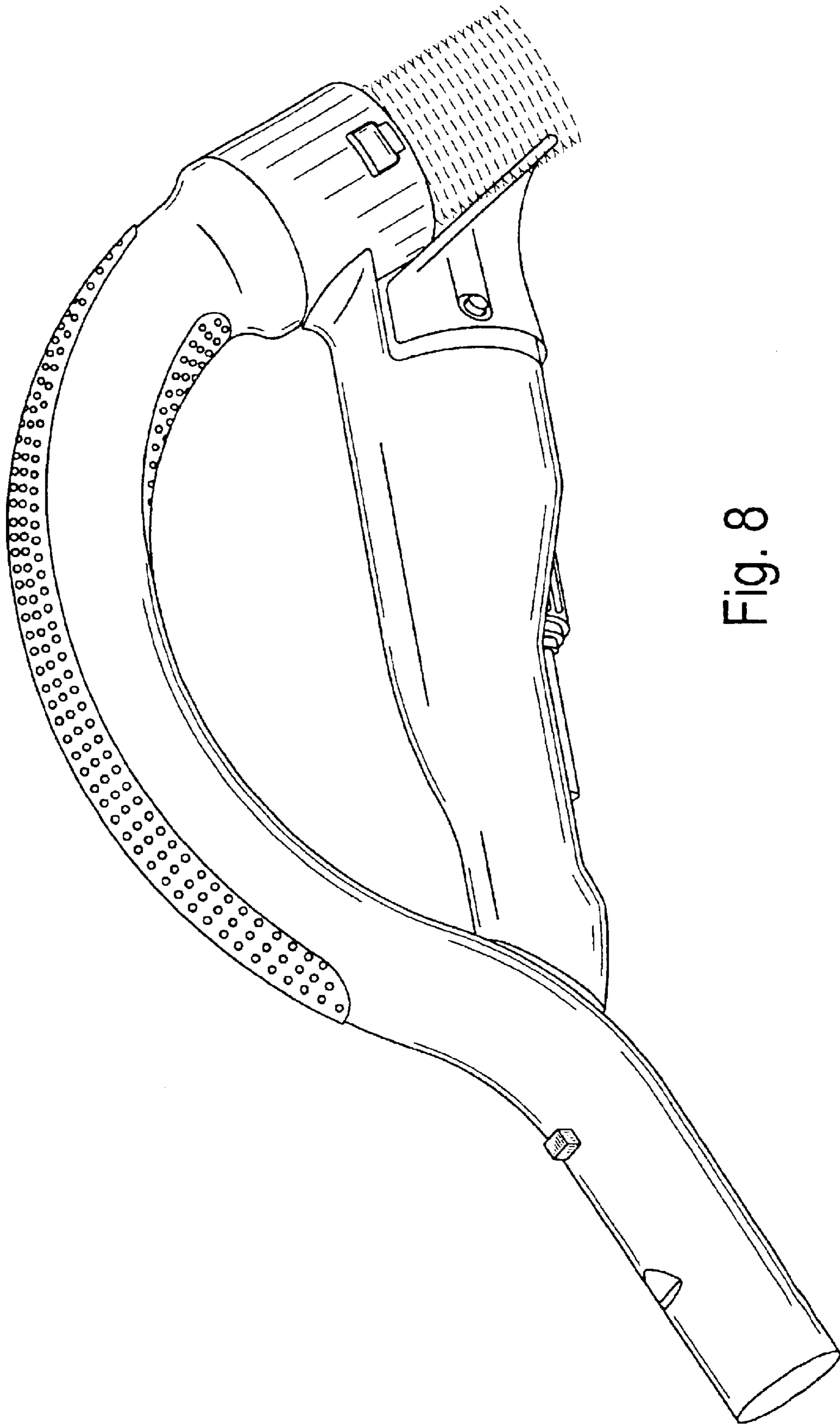


Fig. 8