

US00D494331S1

(12) **United States Design Patent**  
**Nieschwitz et al.**

(10) **Patent No.:** **US D494,331 S**  
(45) **Date of Patent:** **\*\* Aug. 10, 2004**

(54) **ACOUSTIC FOAM SOUND REDUCER FOR VACUUM POWER UNIT**

(75) Inventors: **Darrell V. Nieschwitz**, Alliance, OH (US); **Andrew L. Gabric**, Louisville, OH (US)

(73) Assignee: **H-P Products, Inc.**, Louisville, OH (US)

(\*\*) Term: **14 Years**

(21) Appl. No.: **29/186,987**

(22) Filed: **Jul. 25, 2003**

(51) **LOC (7) Cl.** ..... **15-05**

(52) **U.S. Cl.** ..... **D32/31**

(58) **Field of Search** ..... D32/30-34, 21-24; D23/223, 225; 15/350, 352-35, 321-322, 346, 412, 347, 327.1-327.7, 400, 410, 414, 381, 383, 415.1-422.1; 55/DIG. 3, 337, 429

(56) **References Cited**

**U.S. PATENT DOCUMENTS**

2,328,236 A	*	8/1943	Stoner	96/382
2,731,194 A	*	1/1956	Kent	417/312
2,948,210 A		8/1960	Conlan	
4,015,683 A	*	4/1977	Williams	181/231
4,356,591 A		11/1982	Lude	
4,435,877 A		3/1984	Berfield	
4,786,299 A		11/1988	DeMarco	

4,938,309 A		7/1990	Emdy	
D337,914 S	*	8/1993	McDonald	D6/601
5,400,463 A	*	3/1995	Attard et al.	15/326
5,548,867 A	*	8/1996	Hwang et al.	15/339
5,720,074 A	*	2/1998	Lee	15/326
5,919,030 A	*	7/1999	Iwatake et al.	415/119
D421,359 S	*	3/2000	Liao	D6/601
6,094,774 A	*	8/2000	Larsen et al.	15/326

\* cited by examiner

*Primary Examiner*—Ruth McInroy

(74) *Attorney, Agent, or Firm*—Sand & Sebolt

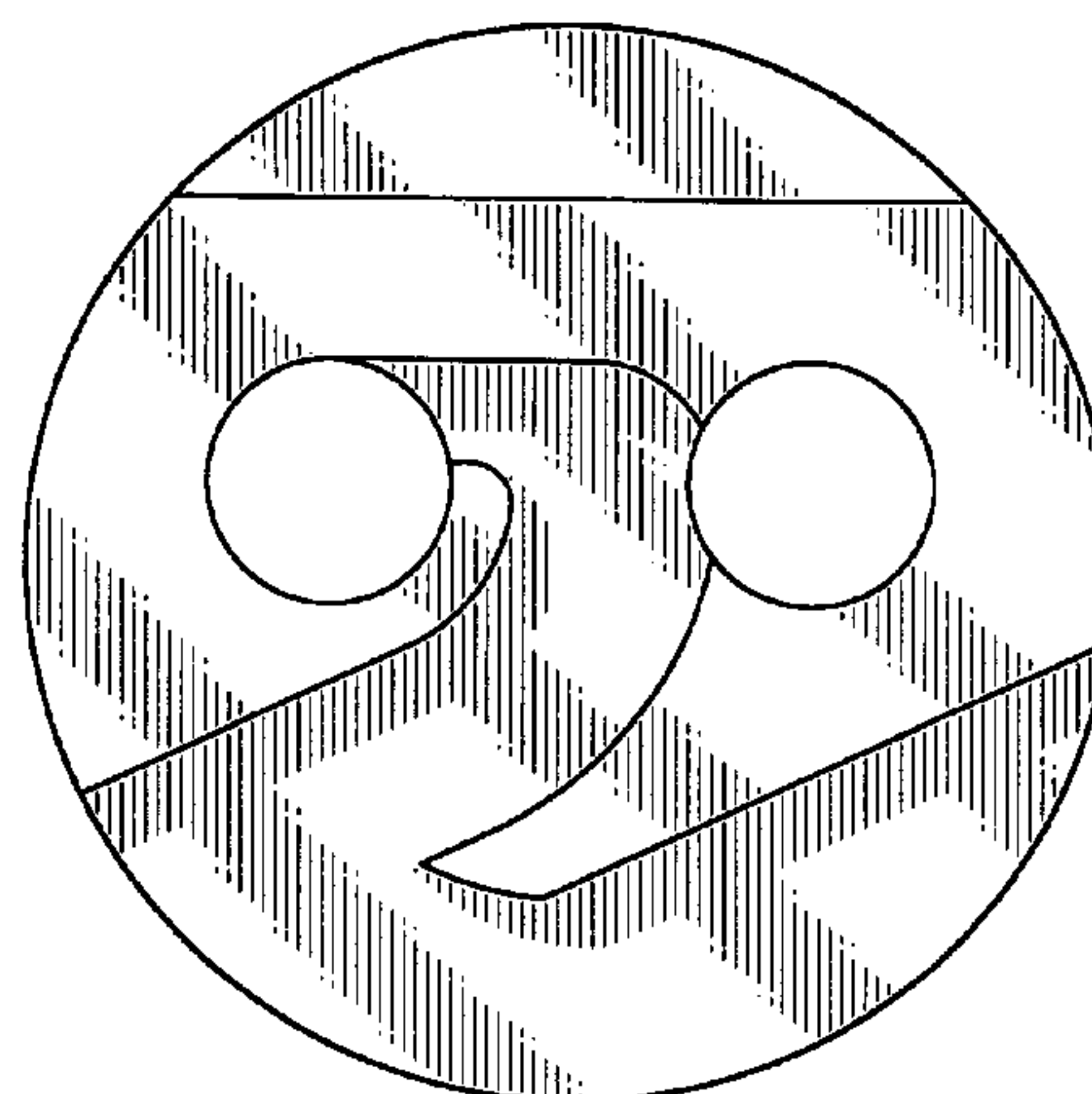
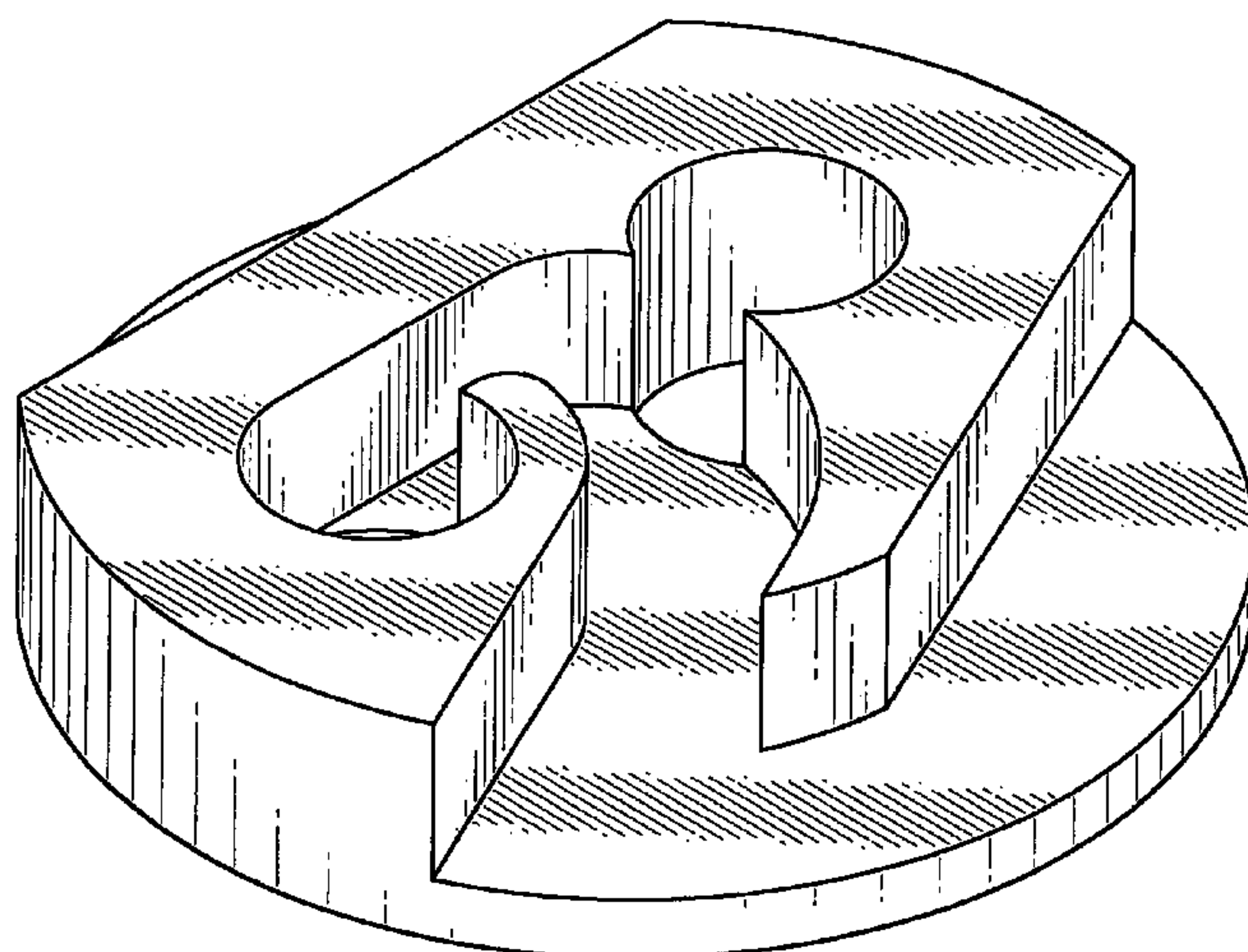
(57) **CLAIM**

The ornamental design for an acoustic foam sound reducer for vacuum power unit, as shown and described.

**DESCRIPTION**

FIG. 1 is a top perspective view of an acoustic foam sound reducer for vacuum power unit showing our new design; FIG. 2 is a top plan view thereof; FIG. 3 is a bottom plan view thereof; FIG. 4 is a front elevational view thereof; FIG. 5 is a rear elevational view thereof; FIG. 6 is a right side elevational view of FIG. 2; FIG. 7 is a left side elevational view of FIG. 2; and, FIG. 8 is a front elevational view thereof, showing the acoustic foam sound reducer located within a vacuum power unit, the unit being shown in broken lines for illustrative purposes only, forming no part of the claimed design.

**1 Claim, 4 Drawing Sheets**



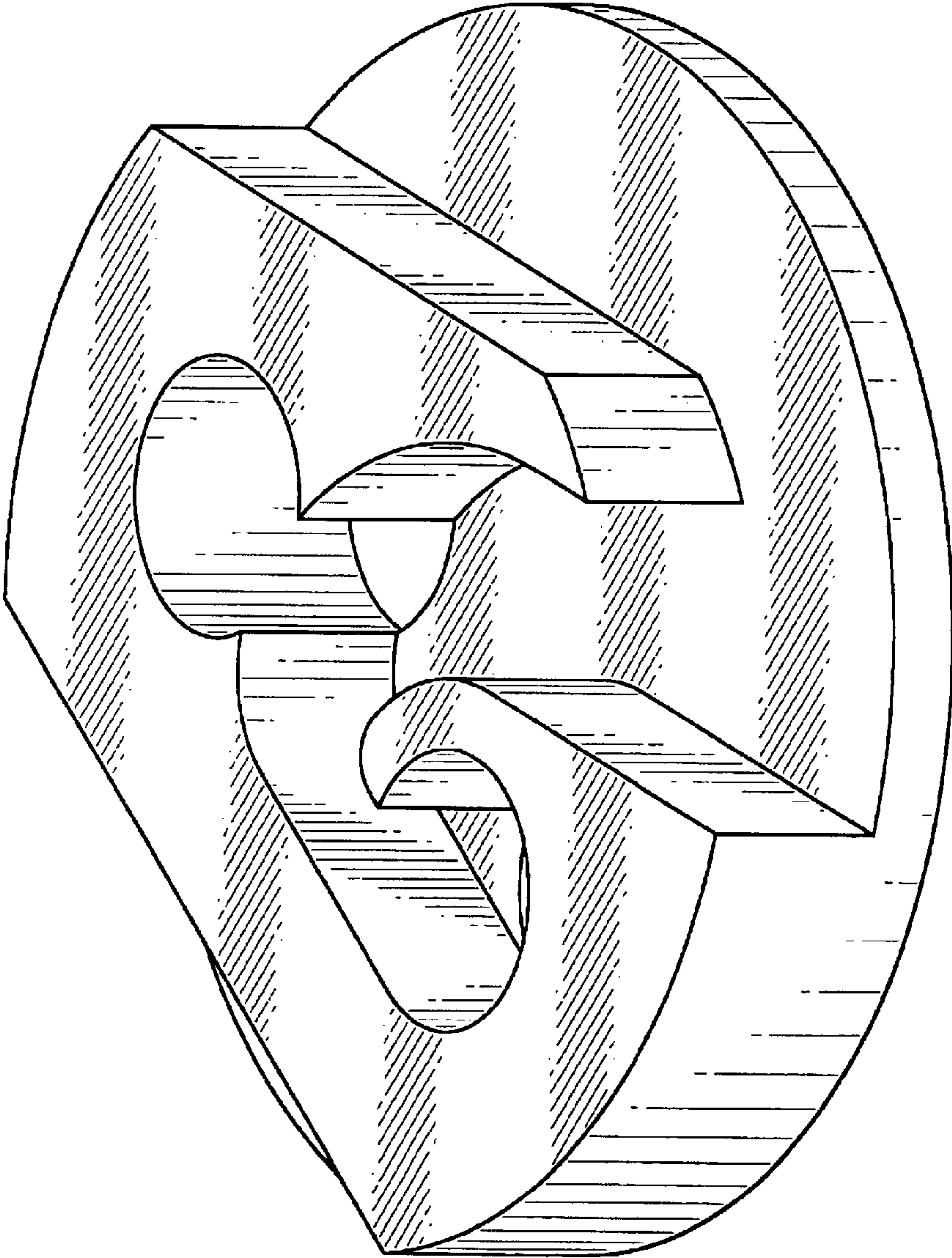


FIG-1

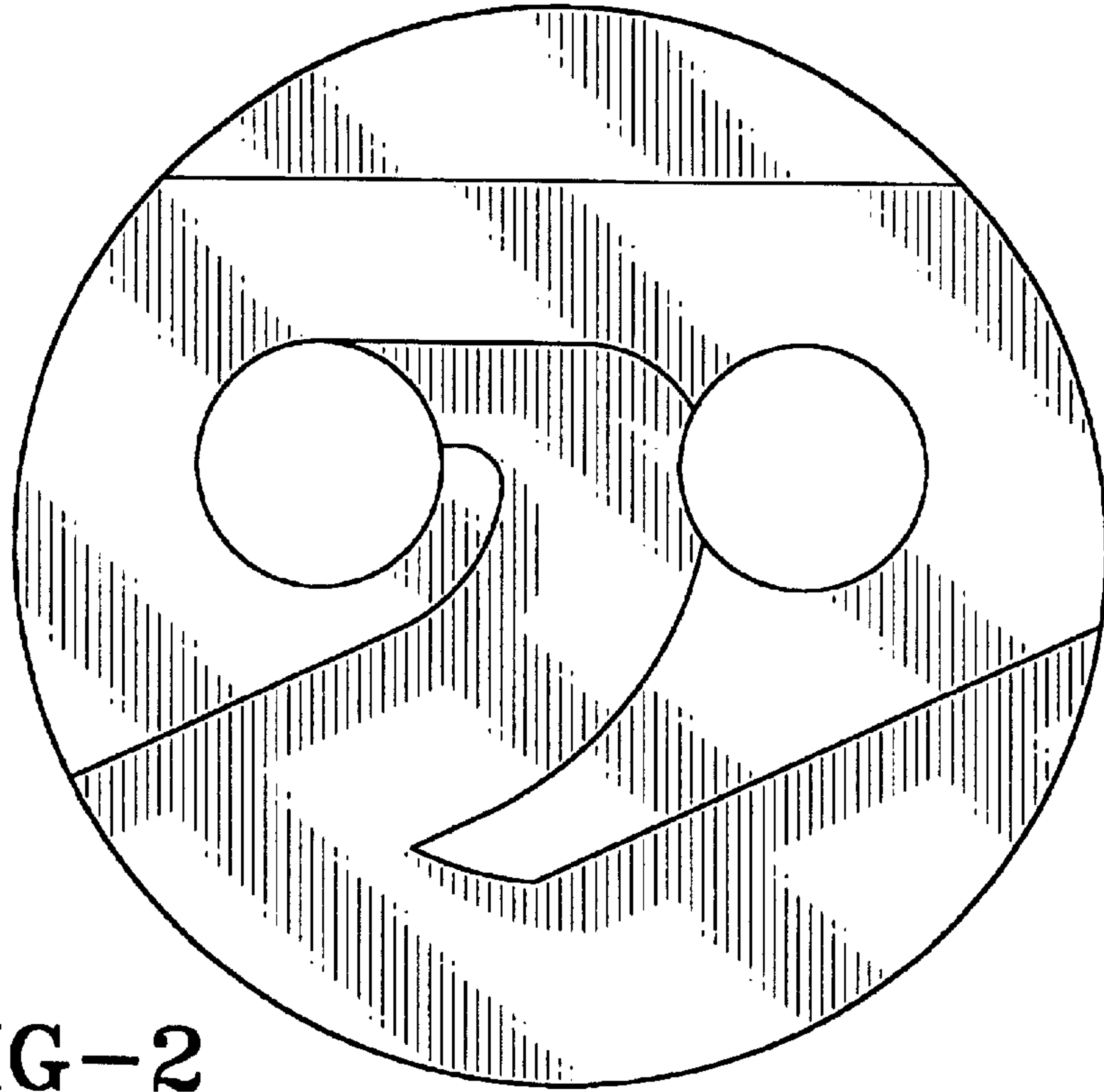


FIG-2

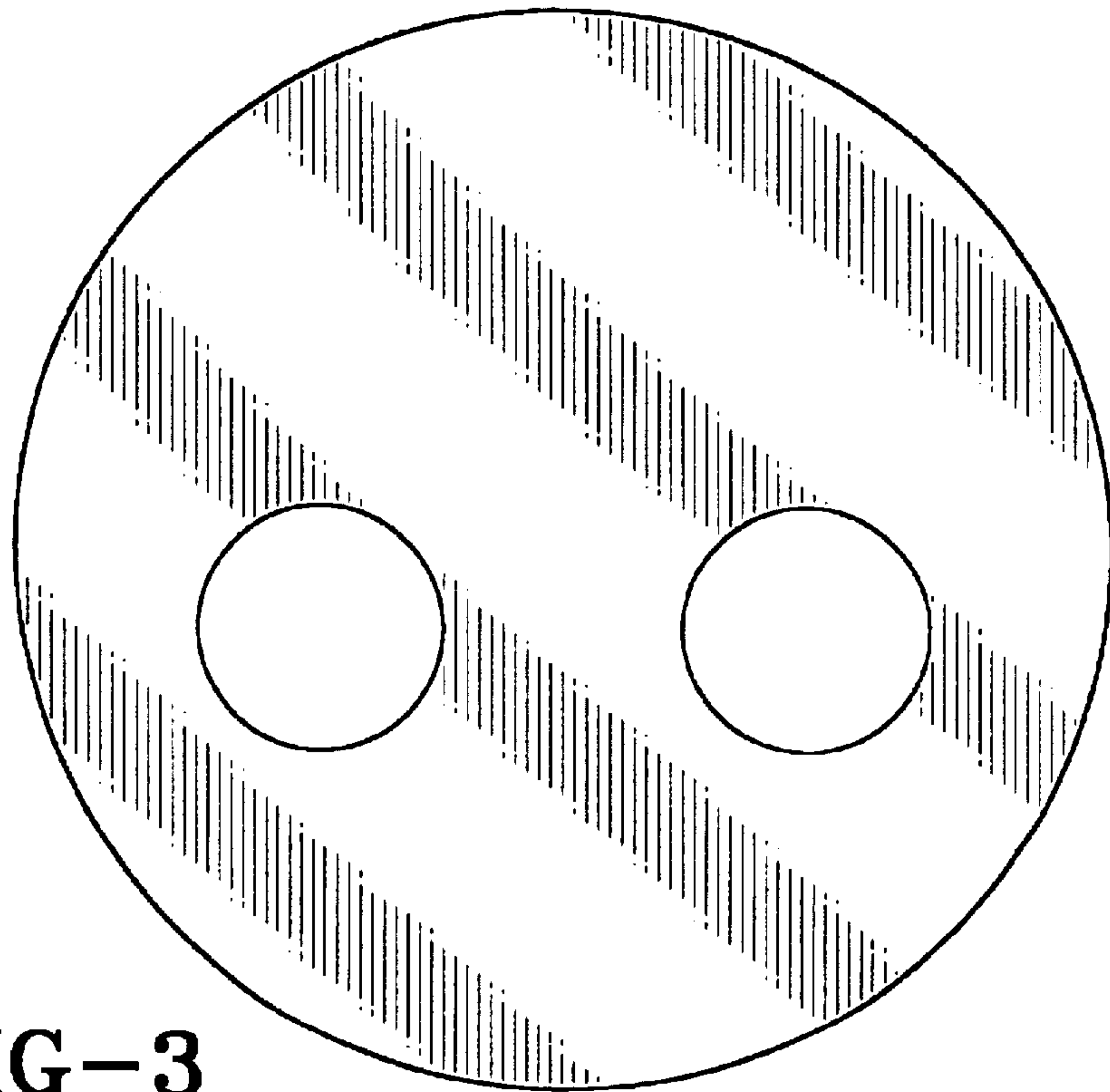


FIG-3

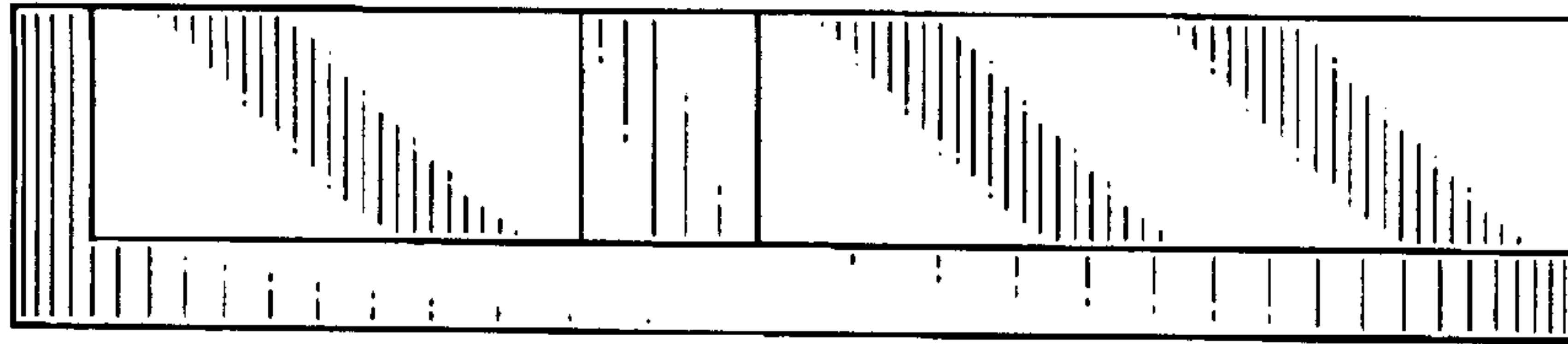


FIG-4

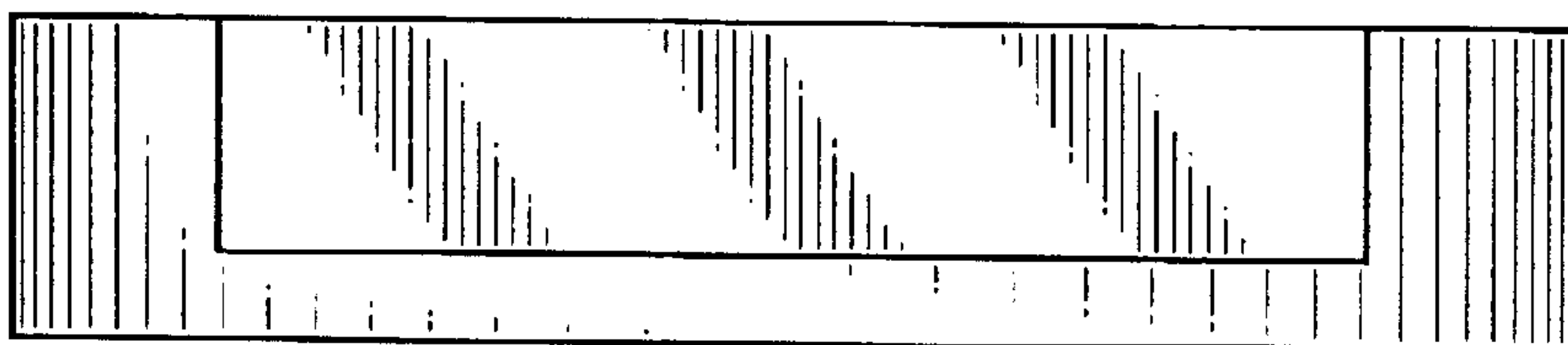


FIG-5

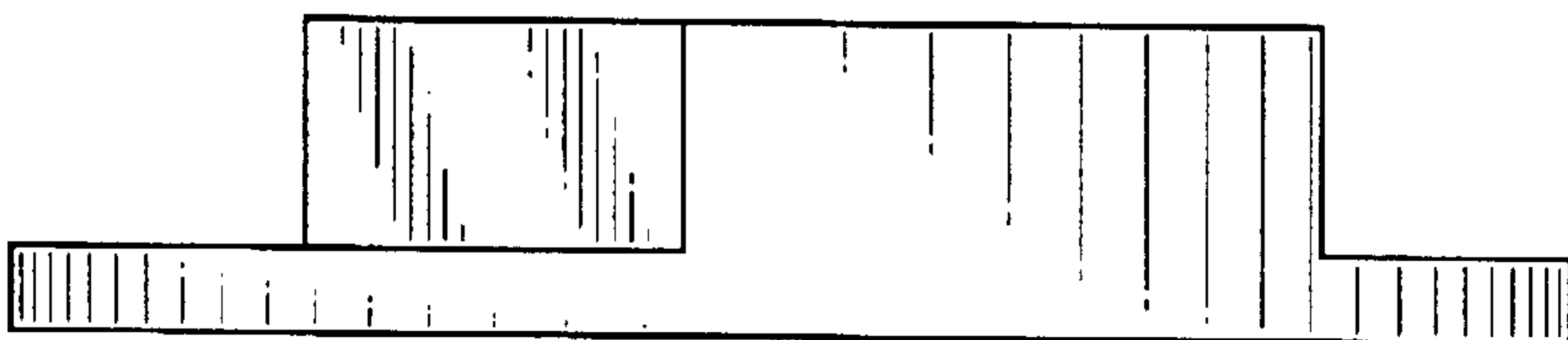


FIG-6

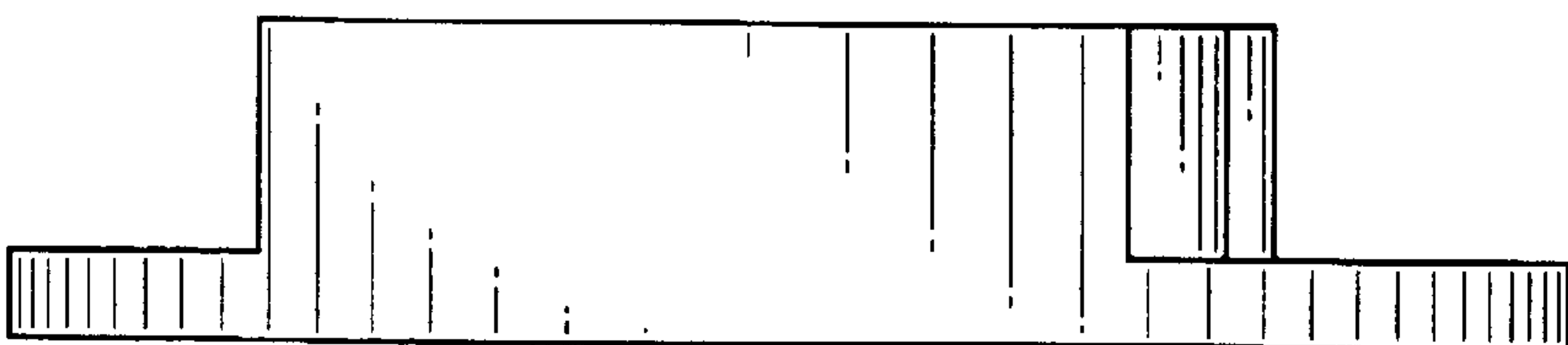


FIG-7



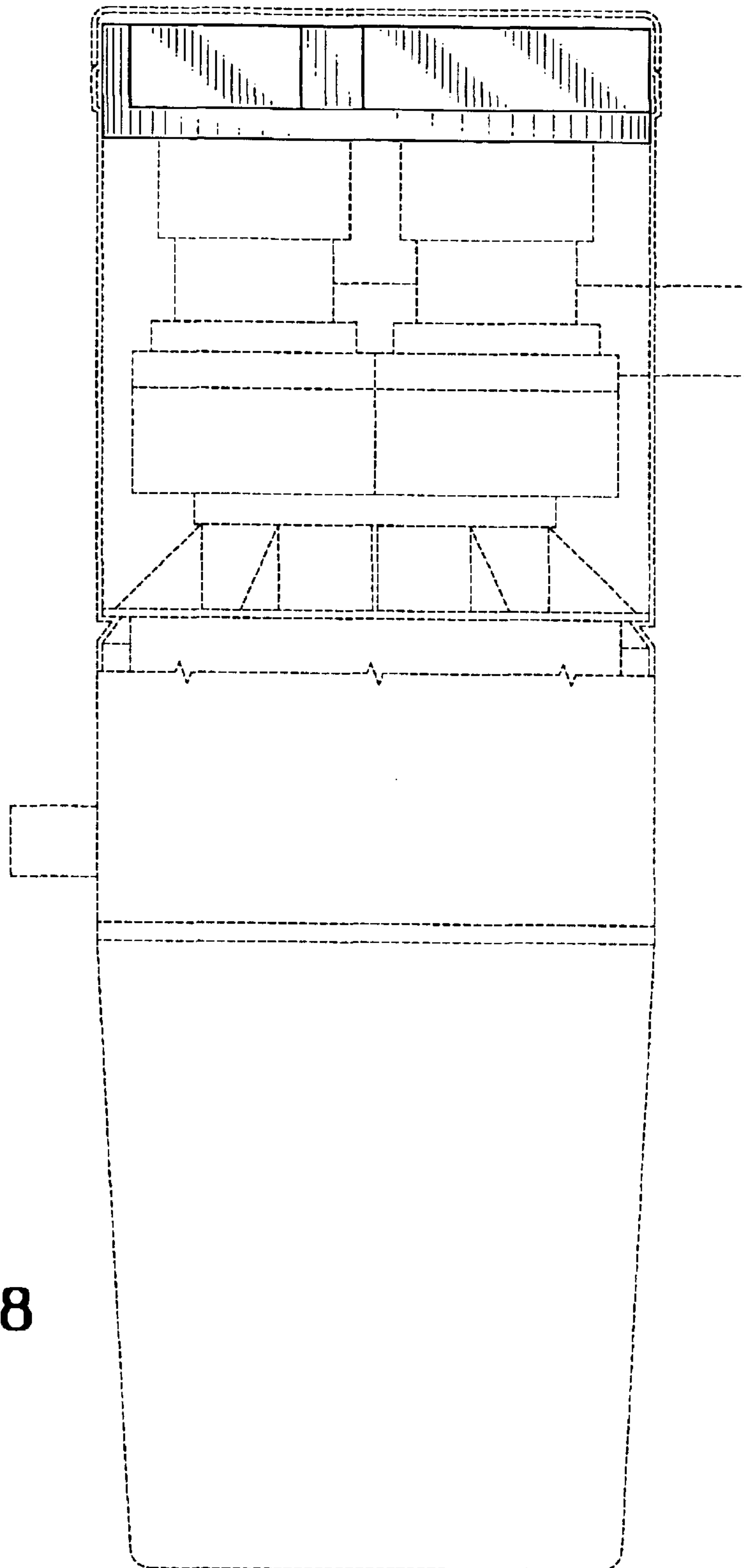


FIG-8