

US00D494329S1

(12) **United States Design Patent**  
**Thur et al.**

(10) **Patent No.: US D494,329 S**

(45) **Date of Patent: \*\* Aug. 10, 2004**

(54) **CONICALLY SHAPED FILTER**

(75) Inventors: **Charles J. Thur**, Broadview Heights,  
OH (US); **Steven J. Paliobeis**,  
Painesville, OH (US)

(73) Assignee: **Royal Appliance Mfg. Co.**,  
Glenwillow, OH (US)

(\*\*) Term: **14 Years**

(21) Appl. No.: **29/165,798**

(22) Filed: **Aug. 16, 2002**

(51) **LOC (7) Cl.** ..... **15-05**

(52) **U.S. Cl.** ..... **D32/30**

(58) **Field of Search** ..... D32/21-22, 25,  
D32/30-31; 15/327.6, 352, 347-349; 55/488,  
336, 398, 521, 529, DIG. 8; 210/493.2,  
493.5, 497.03, 497.01

(56) **References Cited**

**U.S. PATENT DOCUMENTS**

4,243,397	A	*	1/1981	Tokar et al.	.....	55/521	X
4,882,055	A	*	11/1989	Stamstad	.....	55/521	X
4,961,847	A	*	10/1990	Amr	.....	210/497.01	X
5,250,179	A	*	10/1993	Spearman	.....	210/493.2	X
5,267,371	A	*	12/1993	Soler et al.	.....	D32/21	X
5,603,740	A	*	2/1997	Roy	.....	15/352	X
5,685,887	A	*	11/1997	Mochida	.....	55/521	X

5,753,071	A	*	5/1998	Spencer	.....	210/493.2	X
6,026,540	A		2/2000	Wright et al.			
D425,270	S		5/2000	Zahuranec	.....	D32/30	
6,070,291	A		6/2000	Bair et al.			
D441,155	S		4/2001	Thur et al.	.....	D32/31	
6,260,234	B1		7/2001	Wright et al.			
6,341,404	B1		1/2002	Salo et al.			
D453,403	S		2/2002	Stephens et al.	.....	D32/30	
6,375,696	B2		4/2002	Wegelin et al.			

\* cited by examiner

*Primary Examiner*—Louis S. Zarfaz

*Assistant Examiner*—Robert A. Delehanty

(74) *Attorney, Agent, or Firm*—Fay, Sharpe, Fagan,  
Minnich & McKee, LLP

(57) **CLAIM**

The ornamental design for a conically shaped filter, as shown and described.

**DESCRIPTION**

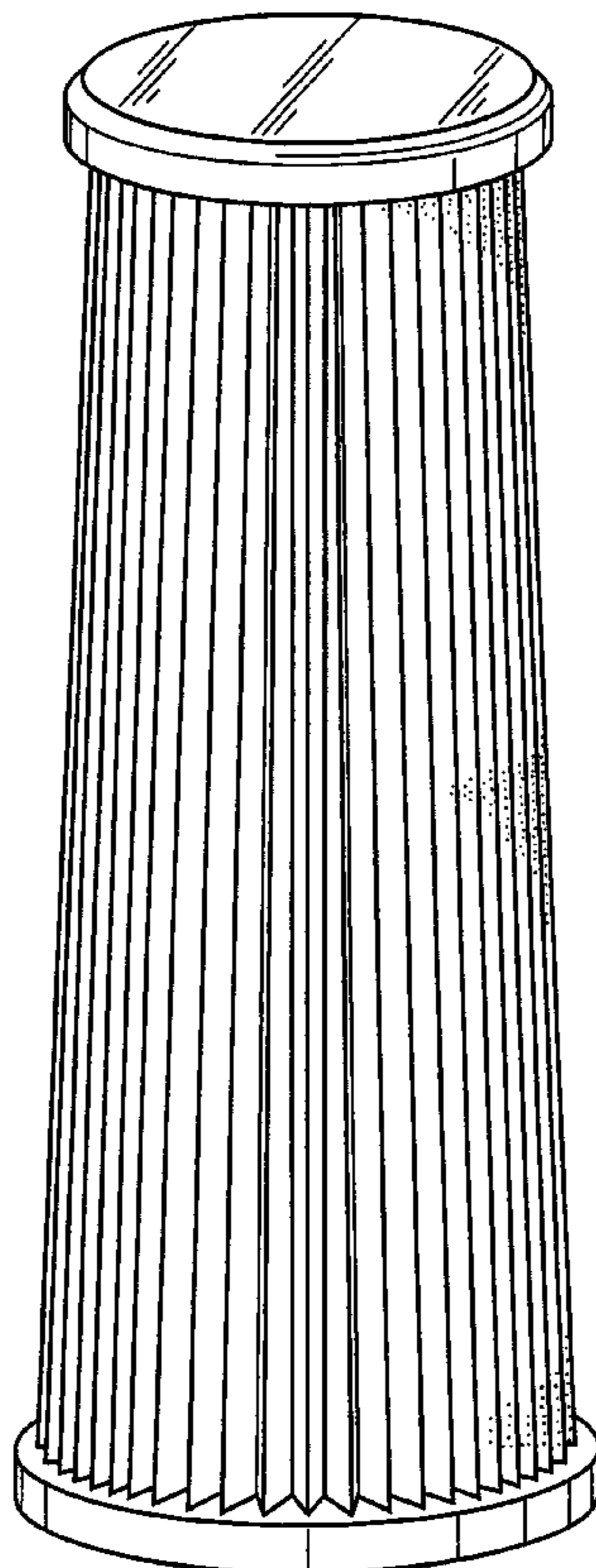
FIG. 1 is a perspective of a conically shaped filter showing our new design;

FIG. 2 is a front elevational view thereof, with the rear elevational view and left and right side elevational views being identical thereto;

FIG. 3 is a top plan view thereof; and,

FIG. 4 is a bottom plan view thereof.

**1 Claim, 2 Drawing Sheets**



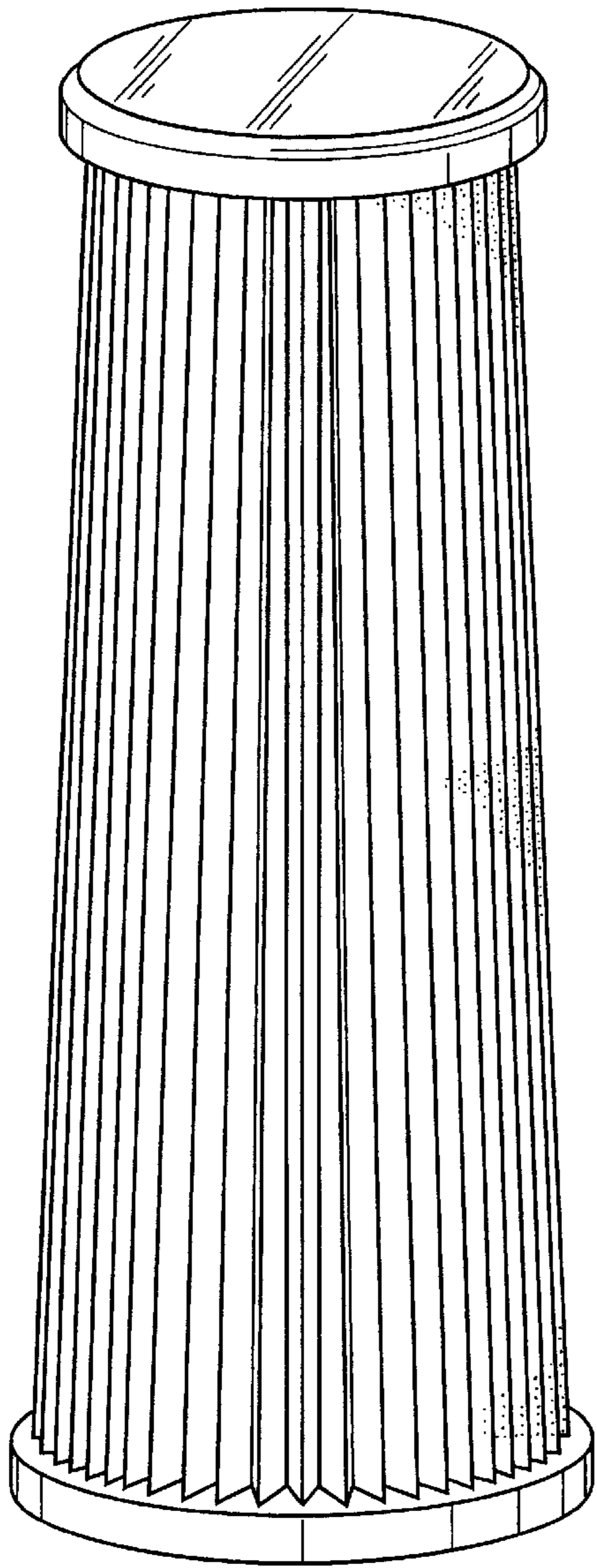


FIG. 1

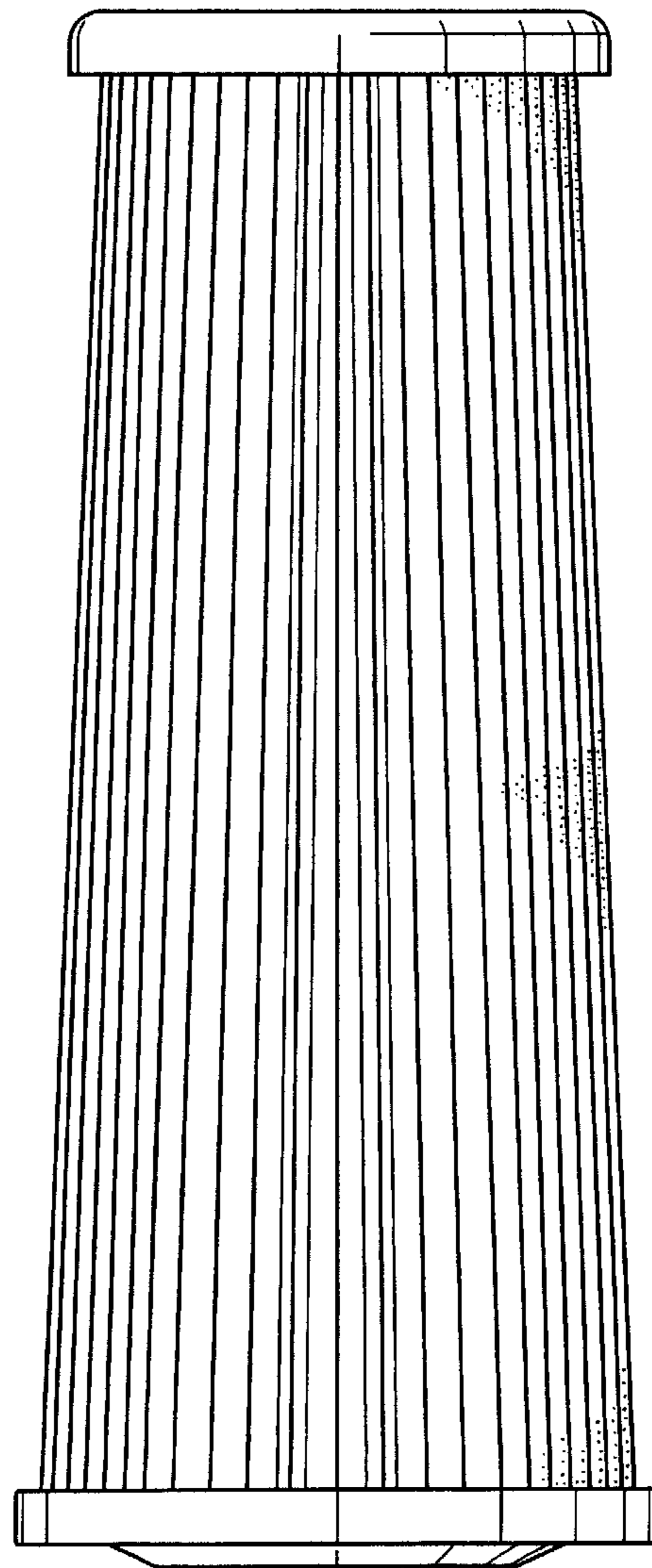


FIG. 2

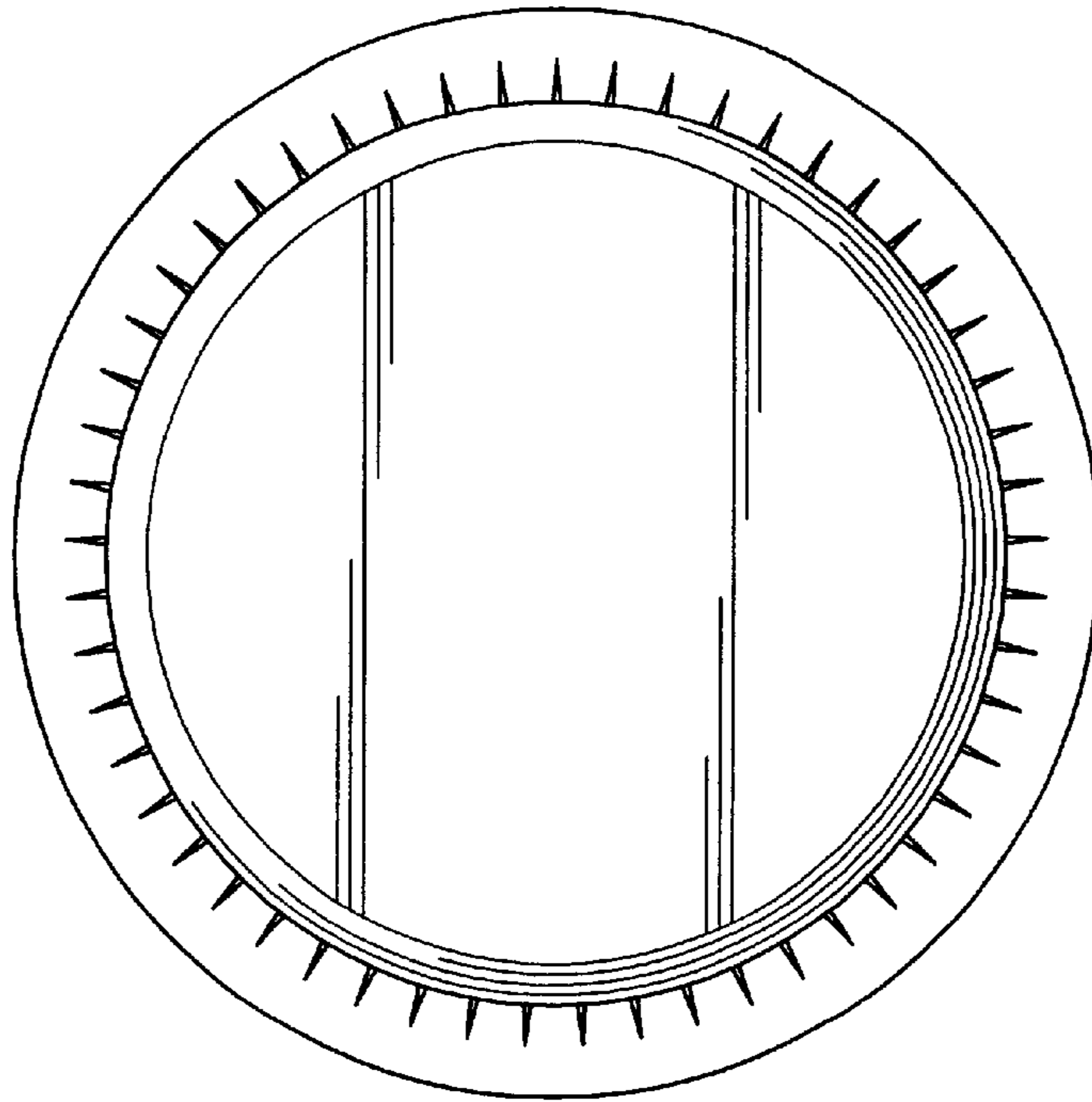


FIG. 3

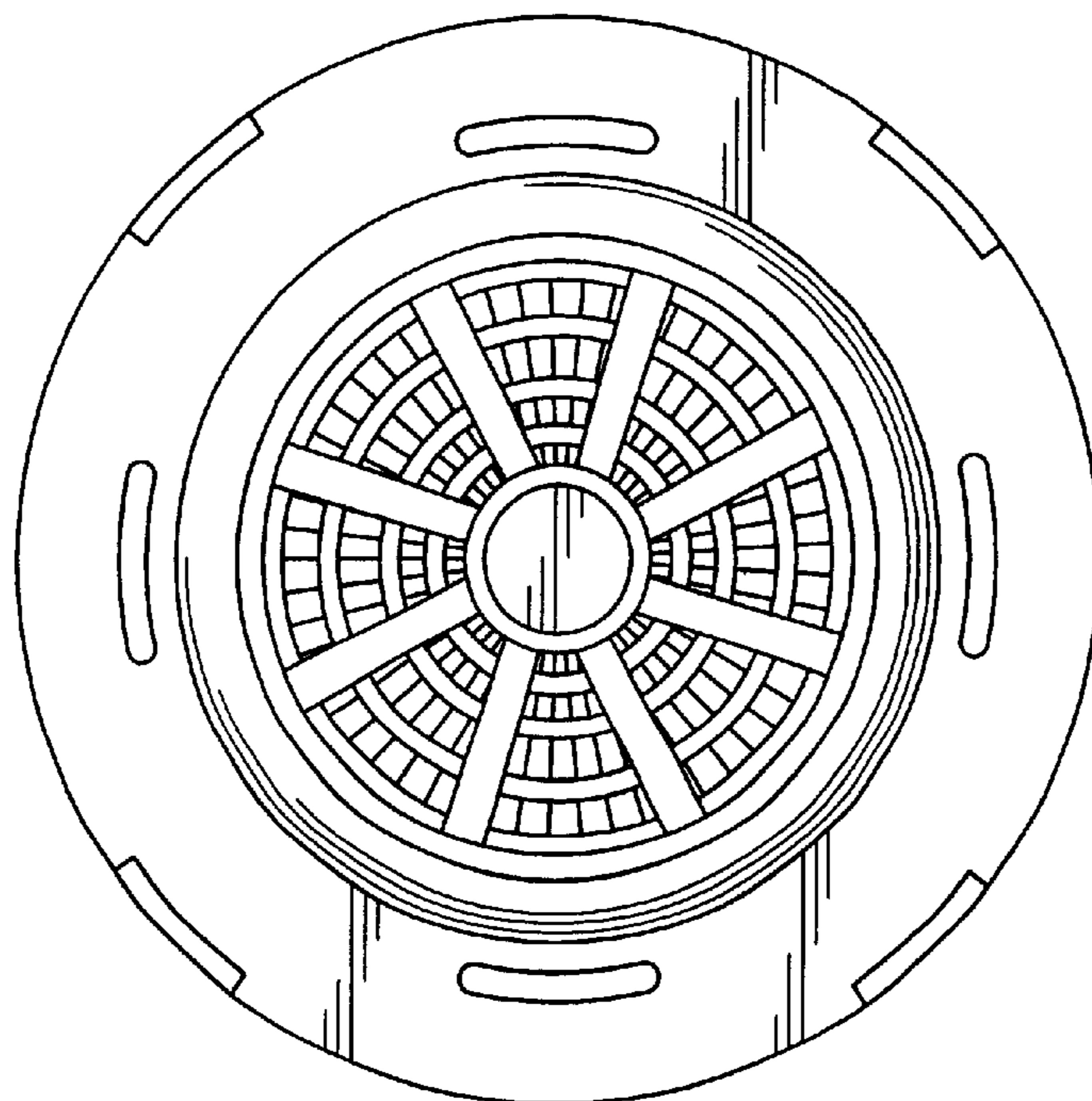


FIG. 4