

US00D494328S1

(12) **United States Design Patent** (10) **Patent No.:** **US D494,328 S**  
**Otsuka et al.** (45) **Date of Patent:** **\*\* Aug. 10, 2004**

(54) **ELECTRONIC VACUUM CLEANER**

(75) Inventors: **Hitoshi Otsuka**, Yokosuka (JP);  
**Masamichi Wakasa**, Koto-ku (JP)  
(73) Assignee: **Kabushiki Kaisha Toshiba** (JP)  
(\*\*) Term: **14 Years**

(21) Appl. No.: **29/186,087**  
(22) Filed: **Jul. 10, 2003**

(30) **Foreign Application Priority Data**

Mar. 19, 2003 (JP) ..... 2003-007280

(51) **LOC (7) Cl.** ..... **15-05**  
(52) **U.S. Cl.** ..... **D32/21**  
(58) **Field of Search** ..... D32/21-22, 31-33;  
15/350, 352-355, 321-322, 346-347, 412,  
400, 327.1-327.7, 410, 414, 373, 381, 383,  
415.1-422.1, 366

(56) **References Cited**

**U.S. PATENT DOCUMENTS**

D394,528 S \* 5/1998 Pochopien et al. .... D32/21  
D398,093 S \* 9/1998 Fujima ..... D32/21  
D403,475 S \* 12/1998 Mehaffey et al. .... D32/21  
D416,362 S \* 11/1999 Lin ..... D32/21  
D417,323 S \* 11/1999 Fujita et al. .... D32/21  
D446,363 S \* 8/2001 Sato et al. .... D32/21

**FOREIGN PATENT DOCUMENTS**

CN	3181043D	3/2001
DE	M98 05 248	4/1999
DE	499 01 892-3	9/1999
JP	886311	12/1993
JP	1119646	8/2001

**OTHER PUBLICATIONS**

Miele, S558 and S658 Deluxe Canisters, dated prior to Mar. 19, 2003.

\* cited by examiner

*Primary Examiner*—Ruth McInroy

(74) *Attorney, Agent, or Firm*—Banner & Witcoff, Ltd.

(57) **CLAIM**

The ornamental design for an electronic vacuum cleaner, as shown and described.

**DESCRIPTION**

FIG. 1 is a top, front and left side perspective view of an electronic vacuum cleaner showing our new design, FIG. 2 is a front elevational view, a rear elevational view being a mirror image thereof, FIG. 3 is a left side elevational view thereof, FIG. 4 is a right side elevational view thereof, FIG. 5 is a top plan view thereof; and, FIG. 6 is a bottom plan view thereof.

**1 Claim, 3 Drawing Sheets**

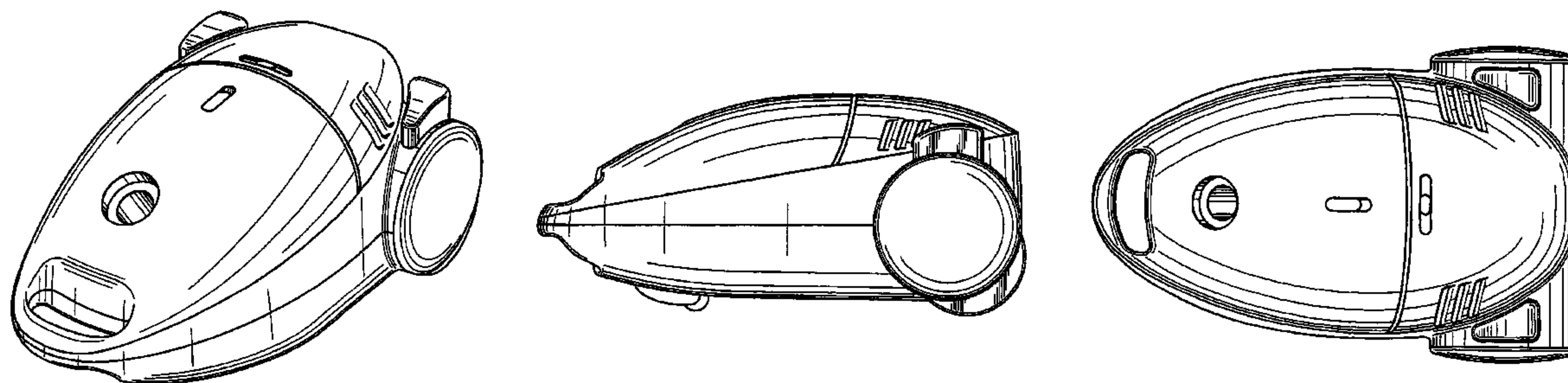


FIG. 1

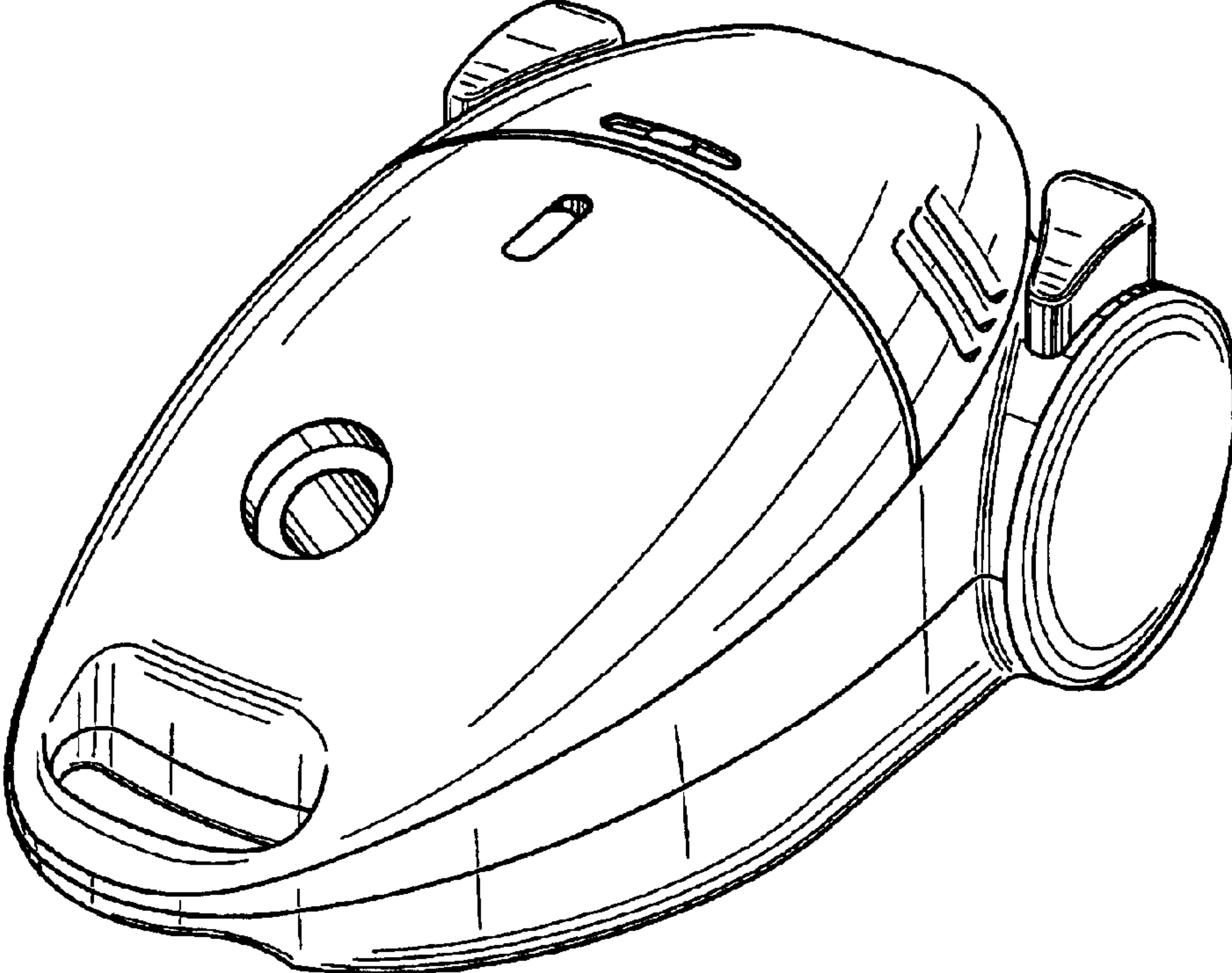


FIG. 2

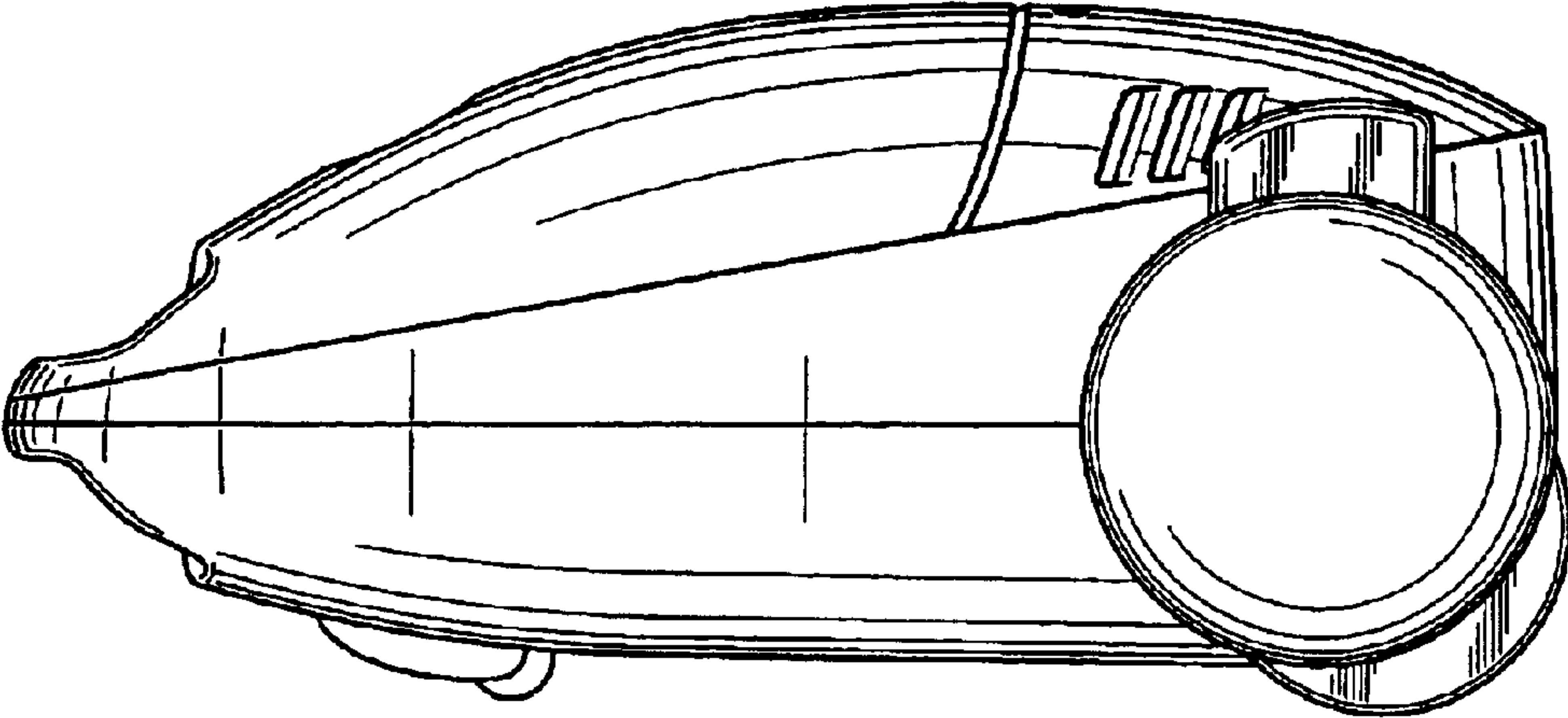


FIG. 3

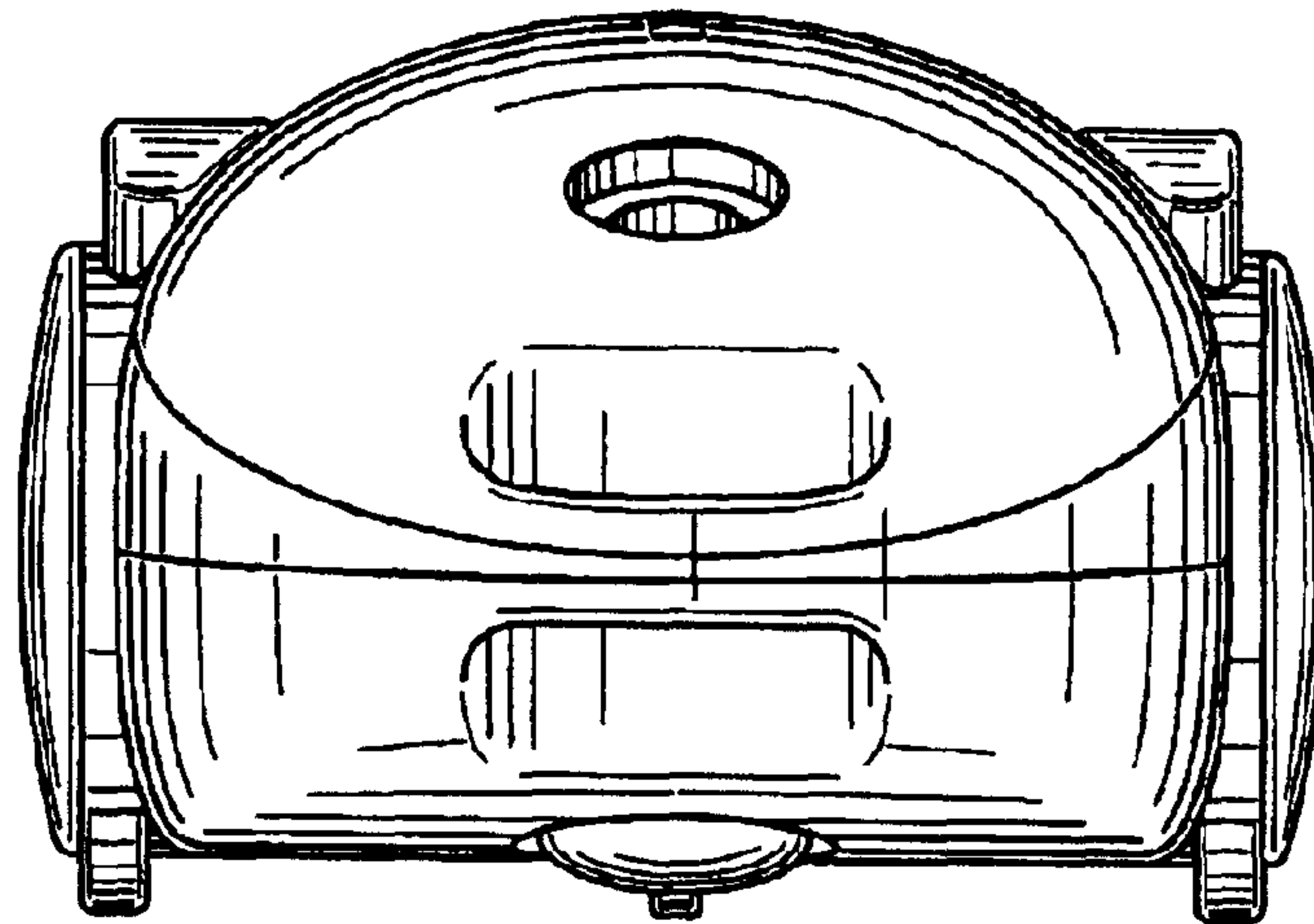


FIG. 4

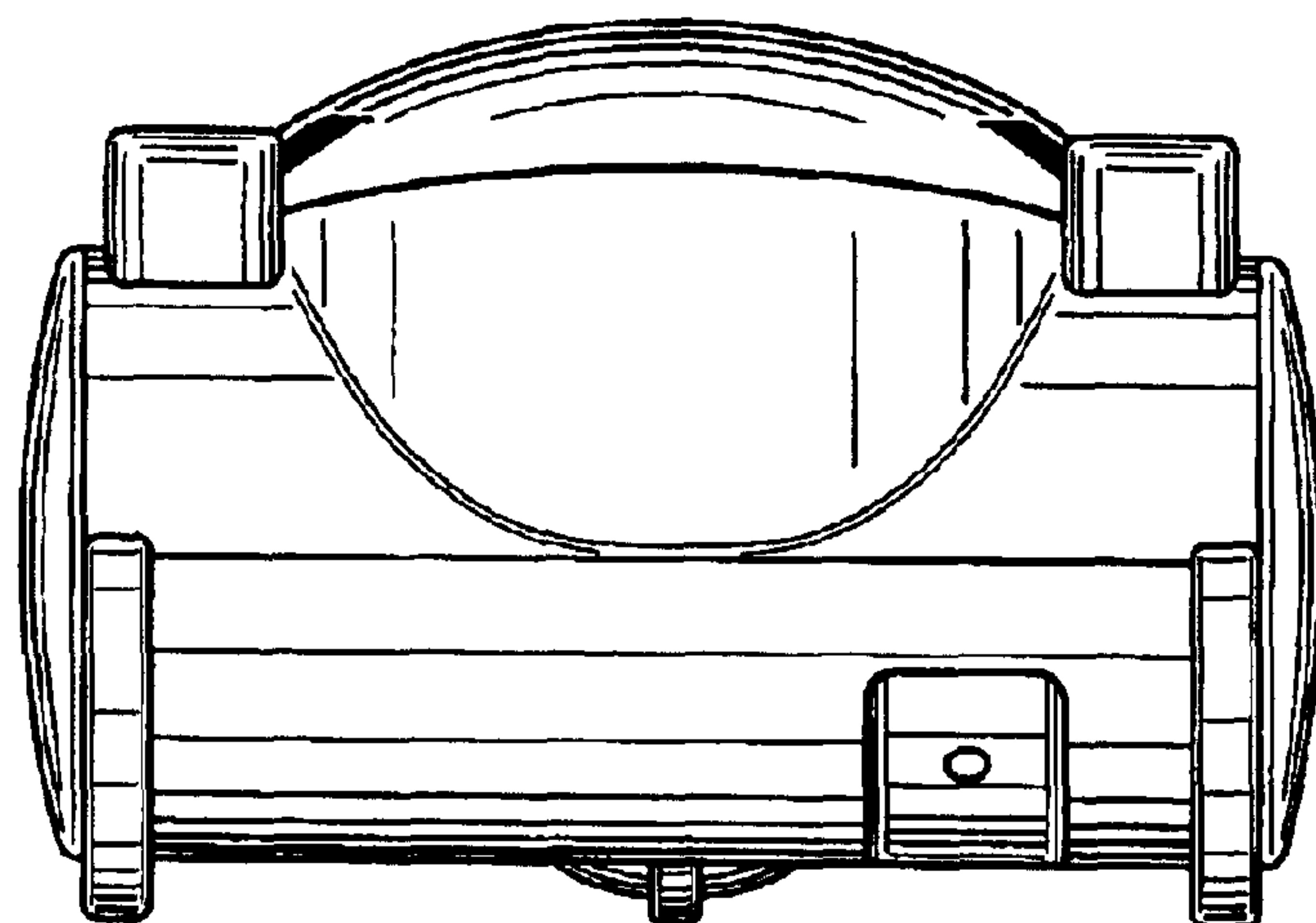


FIG. 5

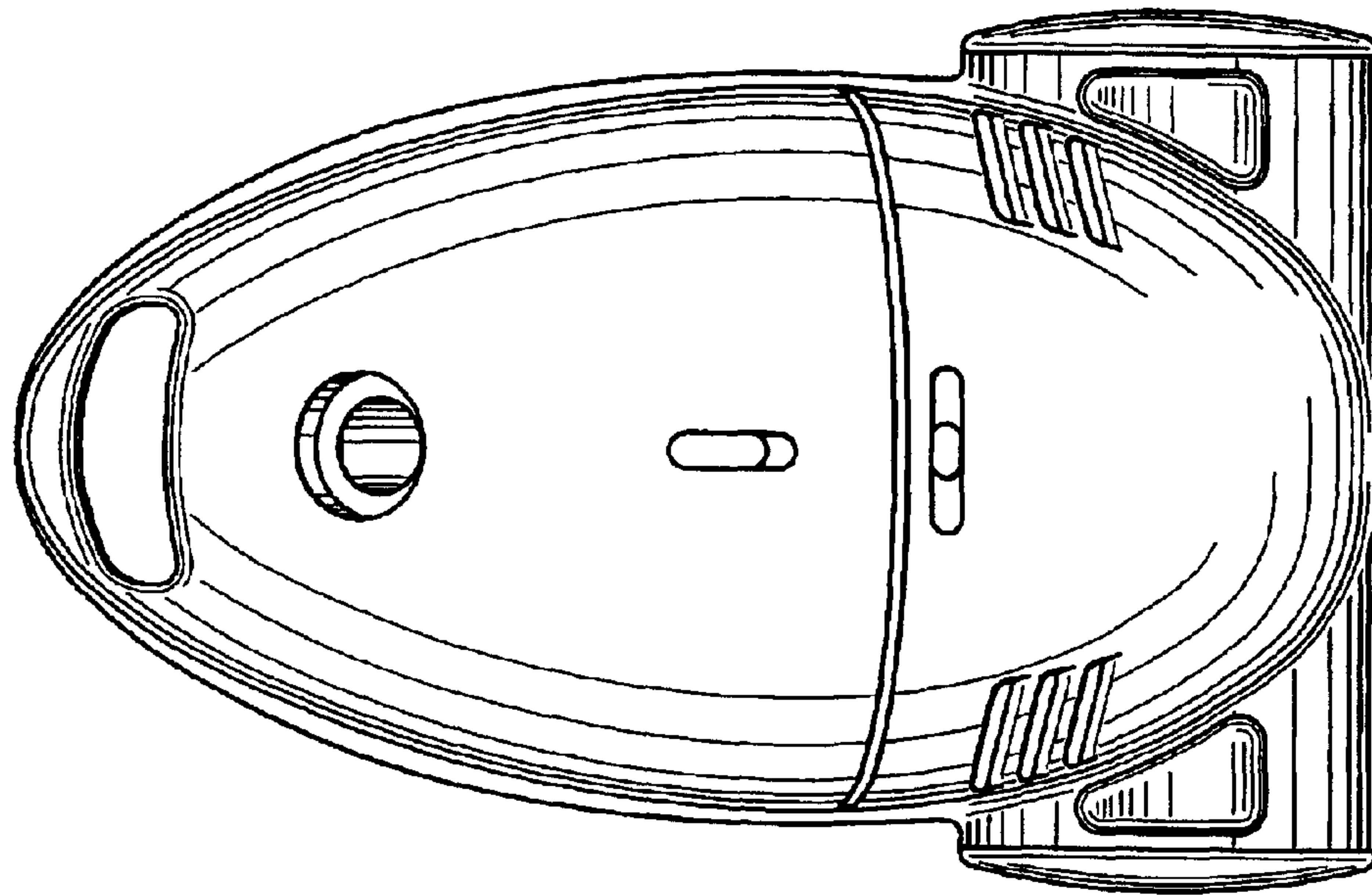


FIG. 6

