



US00D494327S1

(12) **United States Design Patent** (10) **Patent No.:** **US D494,327 S**  
**Song** (45) **Date of Patent:** **\*\* Aug. 10, 2004**

(54) **VACUUM CLEANER WITH SUCTION TESTER**

(75) Inventor: **Sung-Uk Song**, Seoul (KR)

(73) Assignee: **Conet Industries, Inc.**, Seoul (KR)

(\*\*) Term: **14 Years**

(21) Appl. No.: **29/173,465**

(22) Filed: **Dec. 30, 2002**

(51) **LOC (7) Cl.** ..... **15-05**

(52) **U.S. Cl.** ..... **D32/21**

(58) **Field of Search** ..... D32/21, 23-24, D32/31, 25, 17-18; 15/327.1, 327.2, 327.3, 327.4, 327.5, 327.6, 327.7, 321, 323, 353, 344, 329, 410

D384,448 S	9/1997	Stephens et al.	
D389,962 S	1/1998	Berfield et al.	
D410,782 S	6/1999	Siemens	
6,010,550 A *	1/2000	Song	55/482
D425,677 S	5/2000	Williamson	
6,101,670 A *	8/2000	Song	15/339
D430,712 S	9/2000	Song	
D430,714 S	9/2000	Song	
D436,544 S *	1/2001	Song	D10/83
D437,464 S	2/2001	Song	
D437,466 S	2/2001	Song	
D439,709 S	3/2001	Song	
6,332,239 B1 *	12/2001	Dubos et al.	15/353

**OTHER PUBLICATIONS**

Product Sheet of Jji Kae Enterprise Co. Ltd., 3200W 3-in-1 Wet/Dry & Shampoo Vacuum Cleaner, Copyright 1998, p. 1.  
Product Sheet of Shivr Feng Enterprise Co. Ltd., HF-3229 Multifunction Vacuum Cleaner—Wet and Dry, Copyright 1998, p. 1.

(List continued on next page.)

(56) **References Cited**

**U.S. PATENT DOCUMENTS**

2,293,920 A *	8/1942	Replogle	406/36
2,351,068 A *	6/1944	Replogle	406/36
2,353,621 A *	7/1944	Replogle	406/36
D178,199 S	7/1956	Martinec	
2,956,734 A	10/1960	Doyle	
4,179,768 A	12/1979	Sawyer	
D258,064 S	1/1981	Pearman, Jr.	
D260,151 S	8/1981	Martinec	
4,435,877 A	3/1984	Berfield	
D287,895 S	1/1987	Berfield et al.	
5,376,168 A *	12/1994	Inculet	95/54
D357,336 S	4/1995	Moine et al.	
D357,773 S	4/1995	Wareham et al.	
D362,091 S	9/1995	Tomasiak et al.	
D362,522 S	9/1995	Kohler	
5,515,573 A *	5/1996	Frey	15/327.2
D372,567 S	8/1996	Moine et al.	
D373,862 S	9/1996	Stephens et al.	
5,660,493 A	8/1997	Stephens	
D383,264 S	9/1997	Balz	
D383,575 S	9/1997	Griffin	

*Primary Examiner*—Ruth McInroy

(74) *Attorney, Agent, or Firm*—R. Neil Sudol; Henry D. Coleman; William J. Sapone

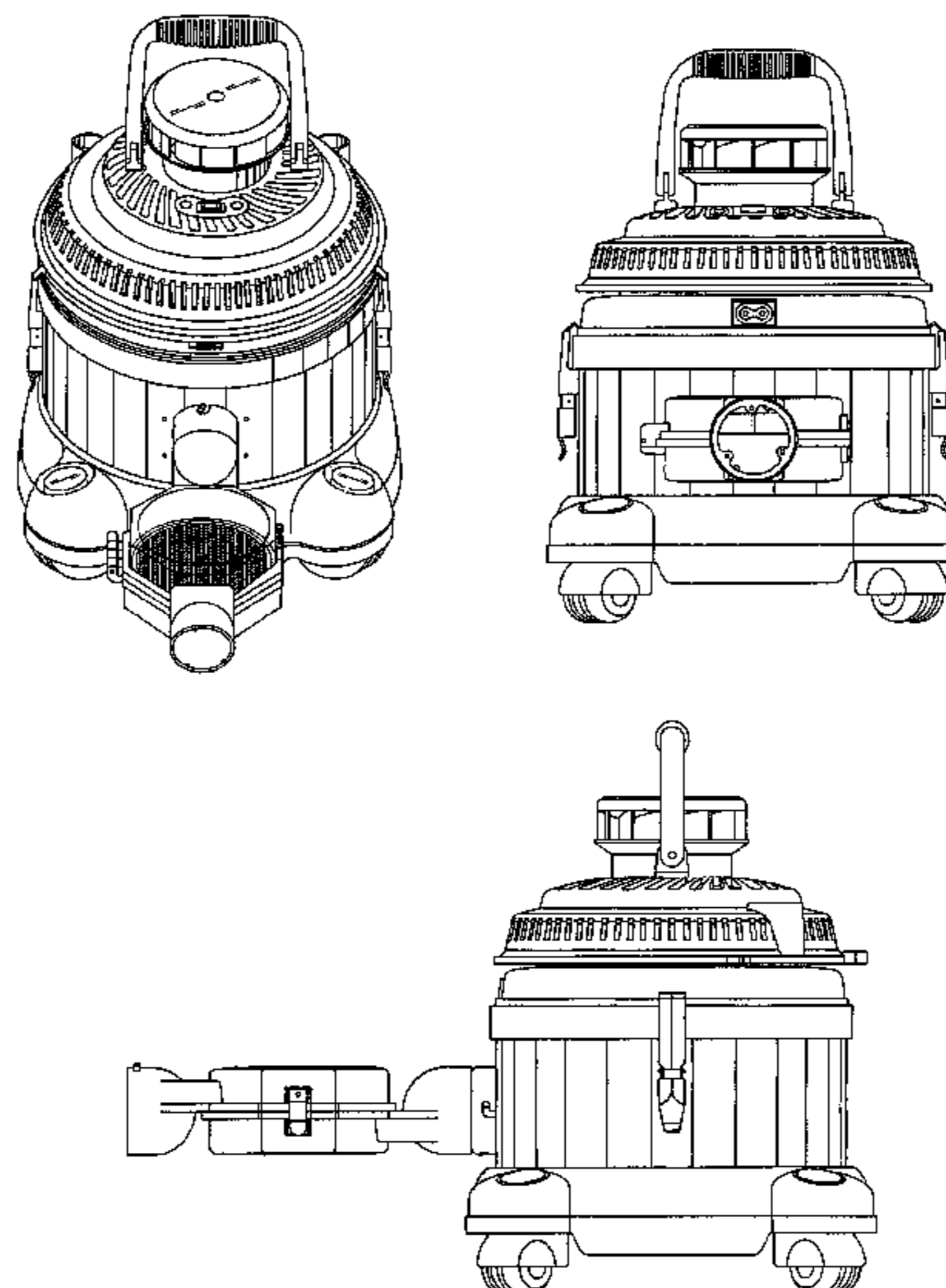
(57) **CLAIM**

The ornamental design for the vacuum cleaner with suction tester, as shown and described.

**DESCRIPTION**

FIG. 1 is a top, front perspective view of a vacuum cleaner with suction tester, showing my new design; FIG. 2 is a front elevational view thereof; FIG. 3 is a right side elevational view thereof; FIG. 4 is a left side elevational view thereof; FIG. 5 is a top plan view thereof; FIG. 6 is a bottom plan view thereof; and, FIG. 7 is a rear elevational view thereof.

**1 Claim, 7 Drawing Sheets**



OTHER PUBLICATIONS

Product Sheet of Jji Kae Enterprise Co. Ltd., 3223W Wet/Dry Vacuum Cleaner with 950W Power Consumption, Copyright 1998, p. 1.

Product Sheet of Jji Kae Enterprise Co. Ltd., 3208W Vacuum Cleaner with 14-Liter Drum Capacity, Copyright 1998, p. 1.

Advertisement of Bissell Vacuum Cleaner, "Things are Really Heating Up at Bissell", 1 sheet. 1999.

Advertisement, "The Bagless 1999 Vision", The Dirt Devil Swivel Glide Vision, 1 sheet.

Korean Advertisement, Vacuum Cleaners, Industrie Forum Design Hannover '98, 1 sheet.

U.S. Trademark Registration No. 1,976,252, Registered May 28, 1996, Configuration of Vacuum Cleaner, Health-Mor, Inc.

Product Sheet of Ningbo Fuda Electric Appliance Co. Ltd., ZL 1200-35 Vacuum Cleaner with Large Capacity Dust Bag, 1999, p. 1.

Product Sheet of Richyoung Industrial Co. Ltd., RY-A1014 Wet/Dry Vacuum Cleaner with a Tank Capacity of 15 Liters, 1999, p. 1.

Product Sheet entitled Luft-u.Raumreinigungssystem, HYL A, 1999, p. 2.

Product Sheet of Align Machine Tool Co., Ltd., Wet/Dry Vacuum Cleaners, Inq. No. 3871, 1999.

Product Sheet of TMB SRL, Wet/Dry Vacuum Cleaners, Italy, 1999.

Product Sheet entitled Oilmist Fume, Vacuum Cleaners, 1999.

Product Sheet of Kyung Seo Co., Ltd., Vacuum Cleaners, 1999.

Product Sheet of Filter Queen, "An American Icon Since 1928", Majestic, 1999, p. 15.

"Hoover Displays Soft Guard, Hard Floor Machine", by Arthur Zaczekiewicz, Homeworld Business Floor Care, 1999.

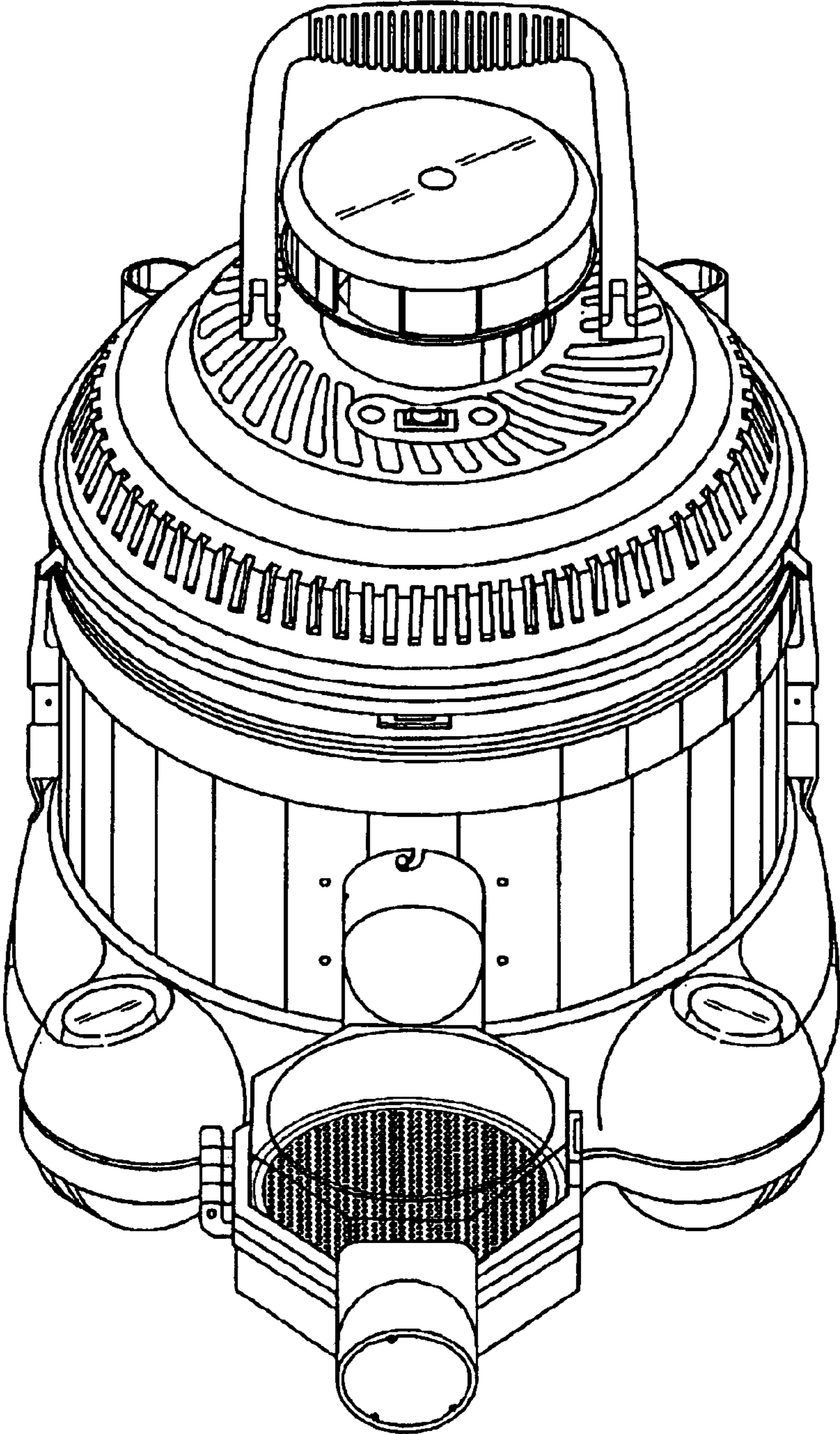
Eureka Vacuum, True Mepa, "Less than one year out of the box, the WhirlWind is taking the market by storm.", 1999.

Brochure, Cyvac Vacuum Cleaner, Conet Industries Inc., 1999, 14 pp.

Korean Advertisement, Vacuum, 1999, 4 pp.

\* cited by examiner

# FIGURE 1



# FIGURE 2

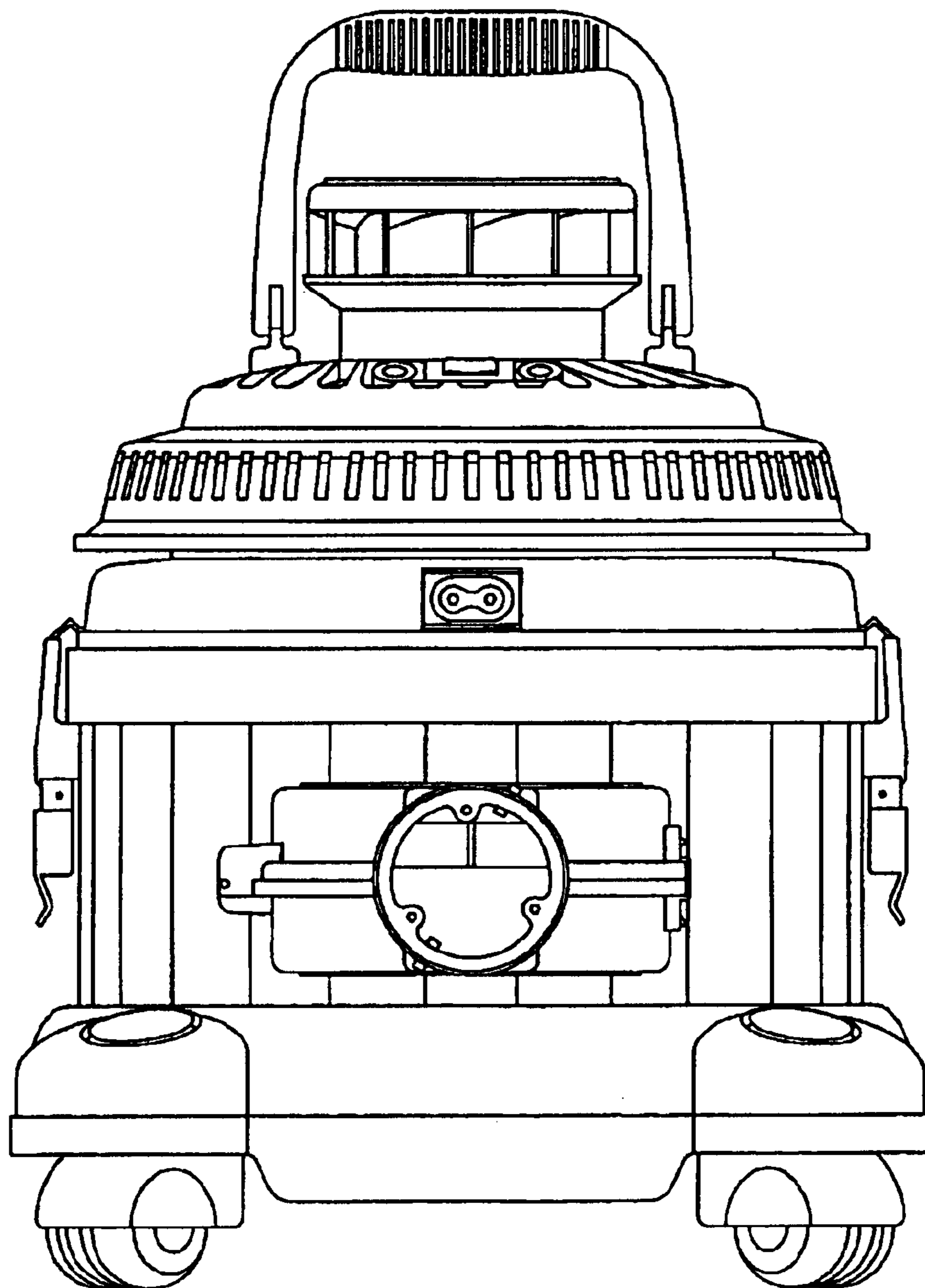


FIGURE 3

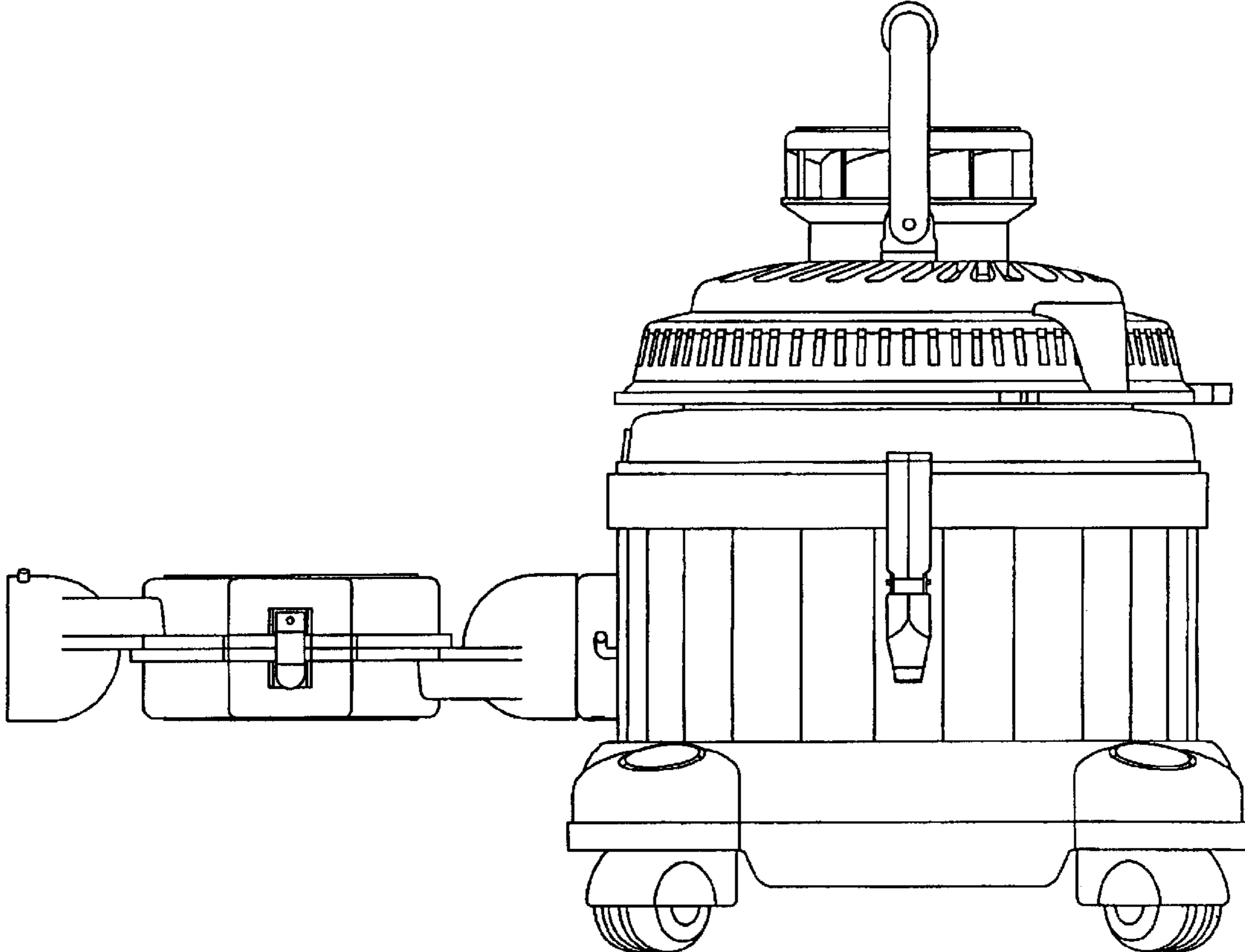
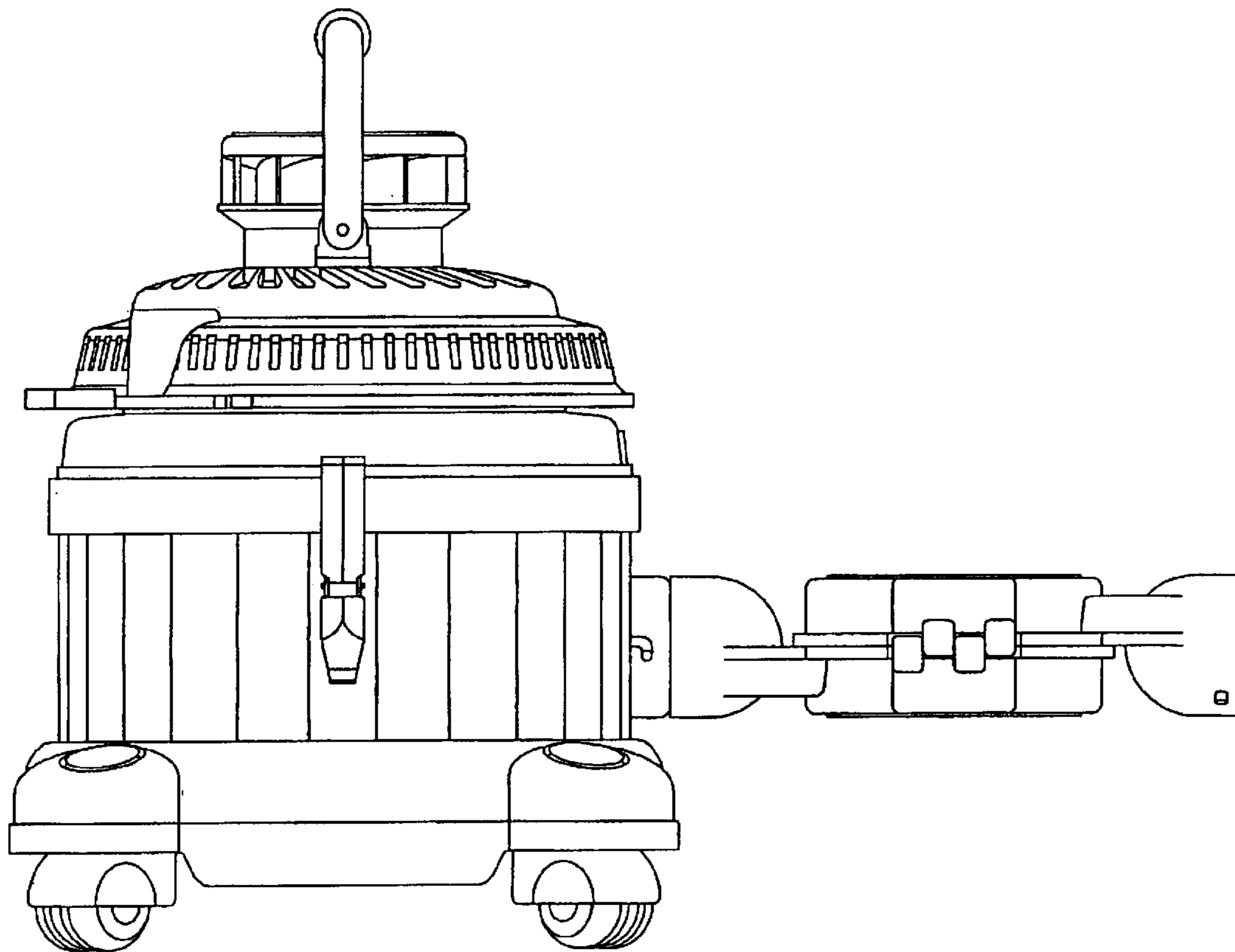
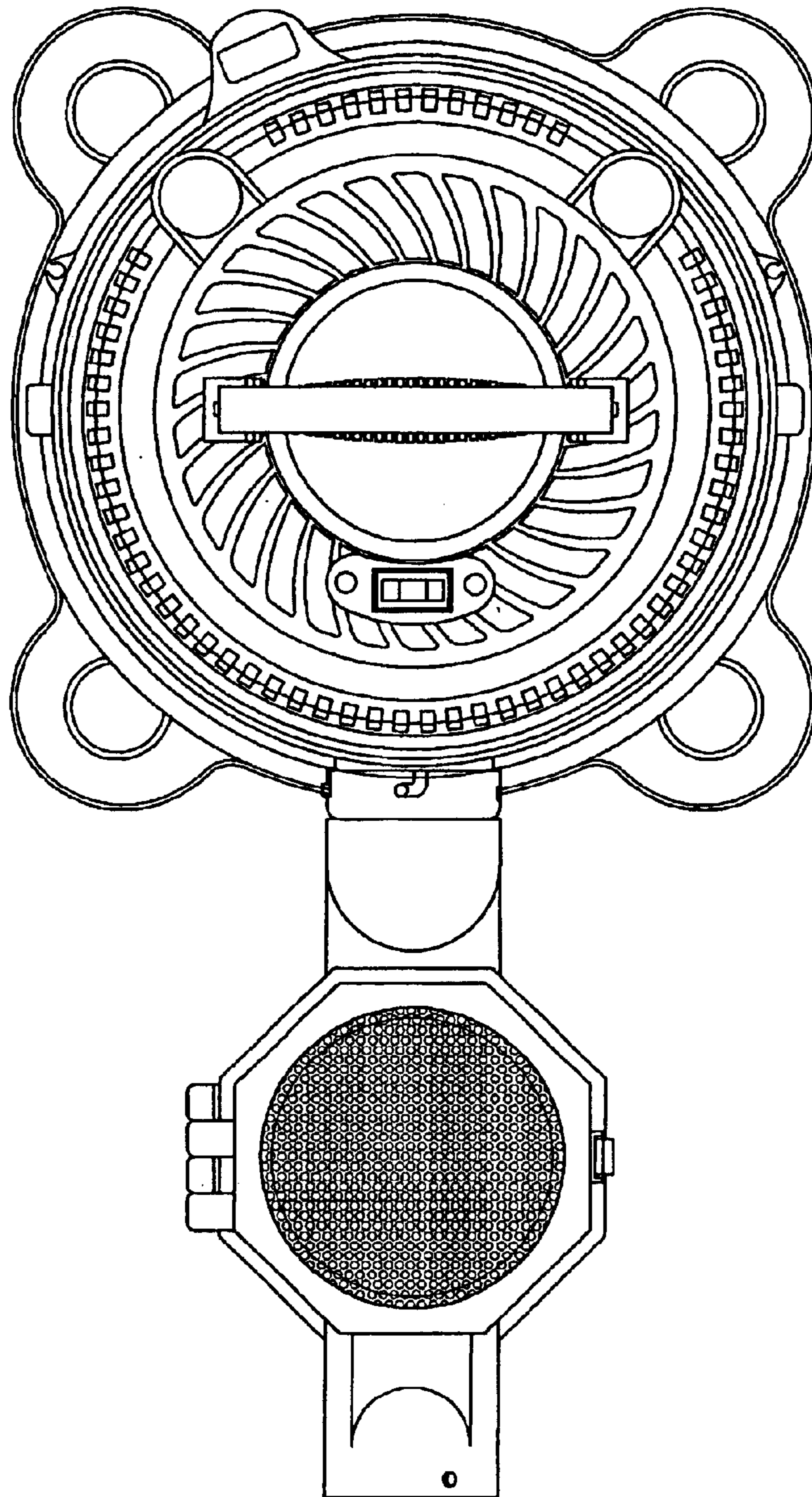


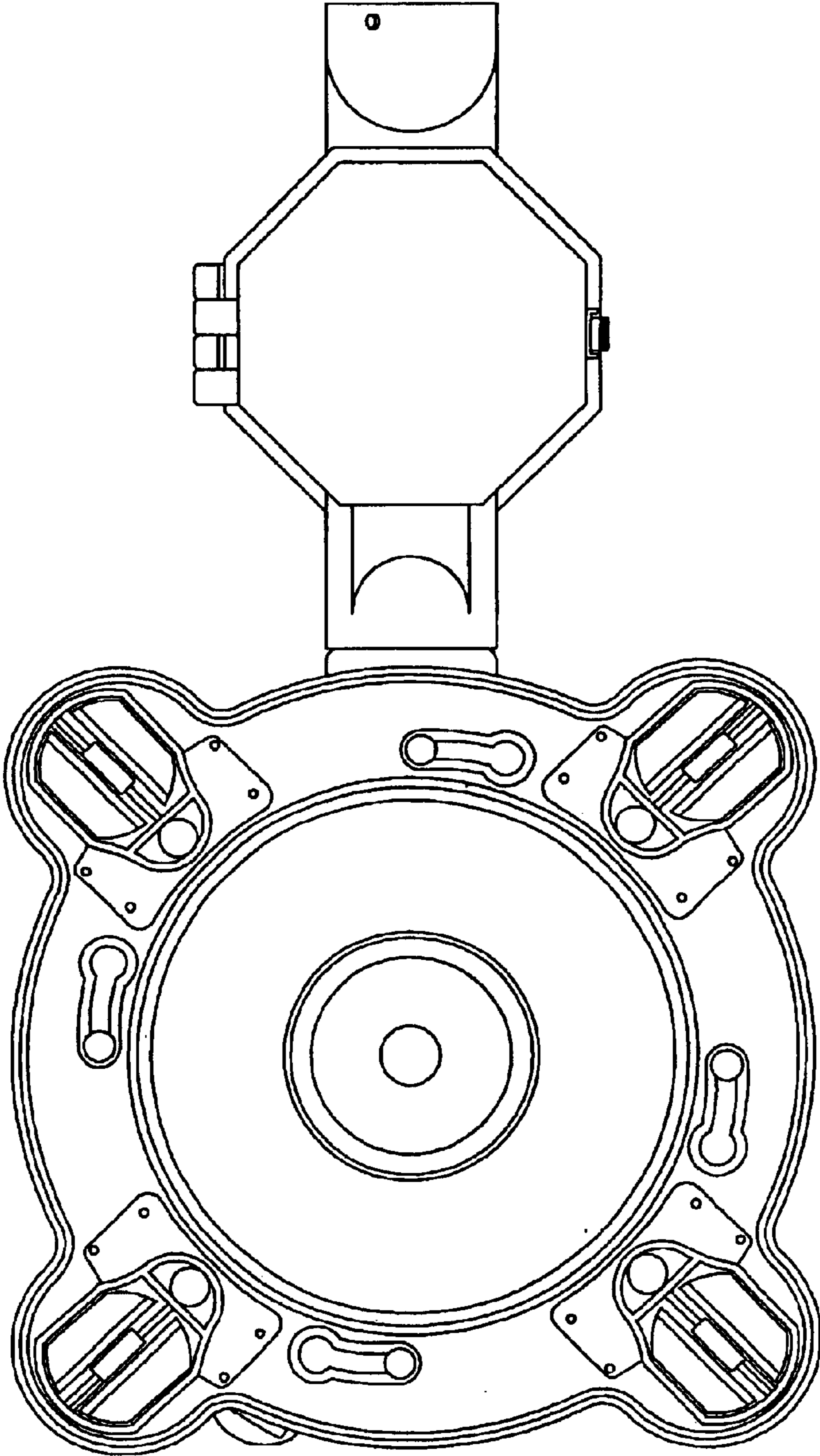
FIGURE 4



# FIGURE 5



# FIGURE 6





# FIGURE 7

