

US00D494325S1

(12) **United States Design Patent**
Paterson

(10) **Patent No.:** **US D494,325 S**

(45) **Date of Patent:** **** Aug. 10, 2004**

(54) **LIGHT BULB-HEATED, THREE-LEGGED ANIMAL FEEDER/WATERER WITH REMOVABLE CONTAINER**

D410,781 S * 6/1999 Sharon D30/129
D412,605 S * 8/1999 Sharon D30/129
6,167,945 B1 1/2001 Bottum, Sr. et al.

(76) **Inventor:** **Dale K. Paterson**, Box 45, Site 9, R.R. 5, Calgary, Alberta (CA)

* cited by examiner

Primary Examiner—Pamela Burgess

(74) *Attorney, Agent, or Firm*—Donald R. Schoonover

(**) **Term:** **14 Years**

(57) **CLAIM**

(21) **Appl. No.:** **29/172,689**

I claim the ornamental design for a light bulb-heated, three-legged animal feeder/waterer with removable container, as shown and described.

(22) **Filed:** **Dec. 17, 2002**

(51) **LOC (7) Cl.** **30-07**

(52) **U.S. Cl.** **D30/121; D30/129**

(58) **Field of Search** D30/128–129, D30/132, 121; 119/73, 61–63, 71, 51.13, 51.11, 52.01, 77–78, 51.01, 459; 219/438

DESCRIPTION

(56) **References Cited**

U.S. PATENT DOCUMENTS

3,441,003 A	4/1969	du Mond et al.	
D269,386 S	6/1983	Khider	
4,389,976 A	6/1983	Novak	
D289,807 S	* 5/1987	Russell D30/129	
4,798,173 A	1/1989	Wilgren	
5,138,980 A	8/1992	Ewing	
5,140,134 A	* 8/1992	Reusche et al. 219/441	
5,345,063 A	9/1994	Reusche et al.	
5,347,979 A	9/1994	Haber	
5,452,683 A	* 9/1995	Poffenroth 119/73	
5,709,167 A	1/1998	Kelley	
5,787,839 A	8/1998	Magnant et al.	

FIG. 1 is an exploded perspective view of a light bulb-heated, three-legged animal feeder/waterer with removable container showing my new design;

FIG. 2 is a front elevational view thereof;

FIG. 3 is a rear elevational view thereof;

FIG. 4 is a left side elevational view thereof, the right side elevational view being a mirror image thereof;

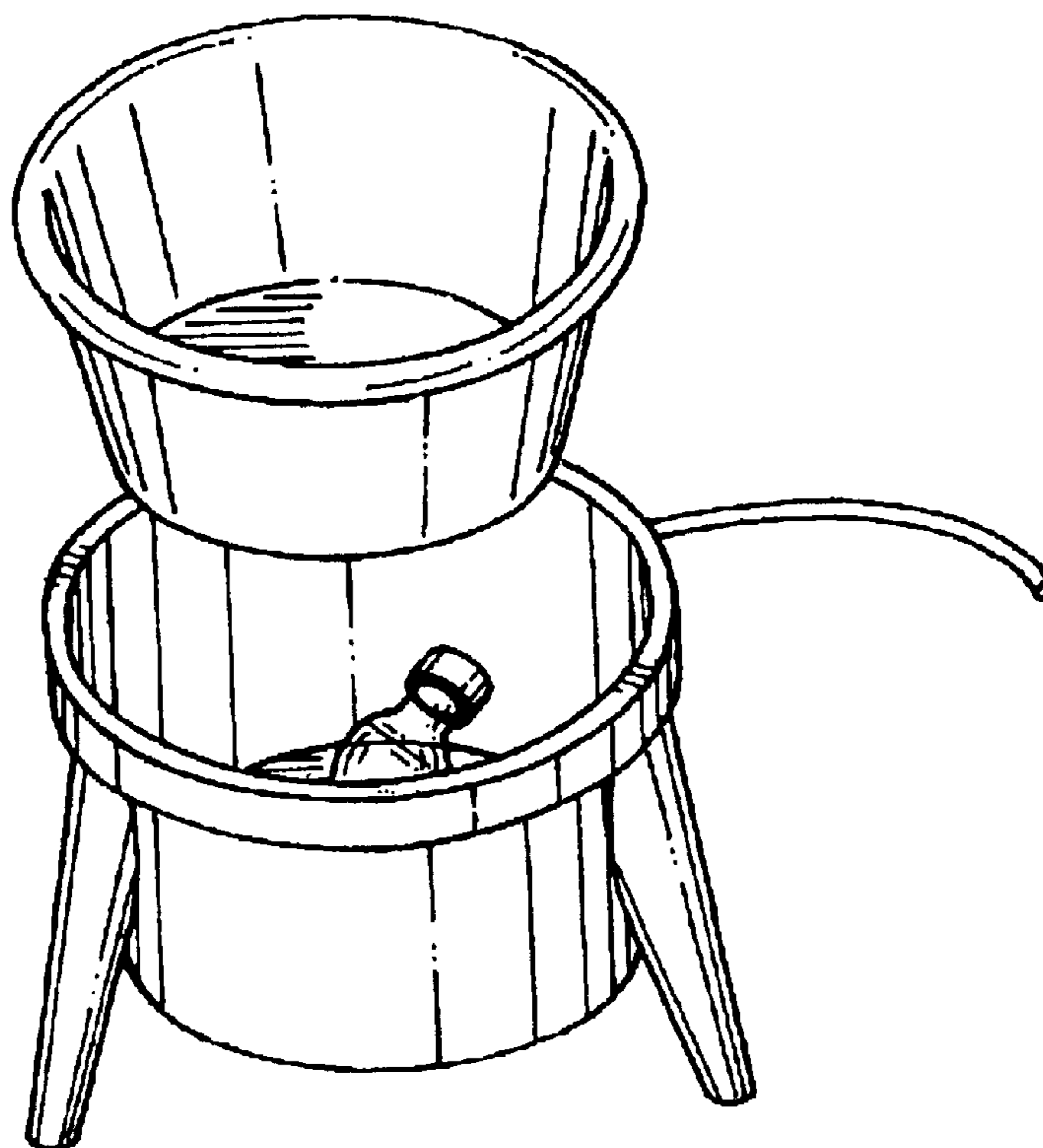
FIG. 5 is a top plan view thereof; and,

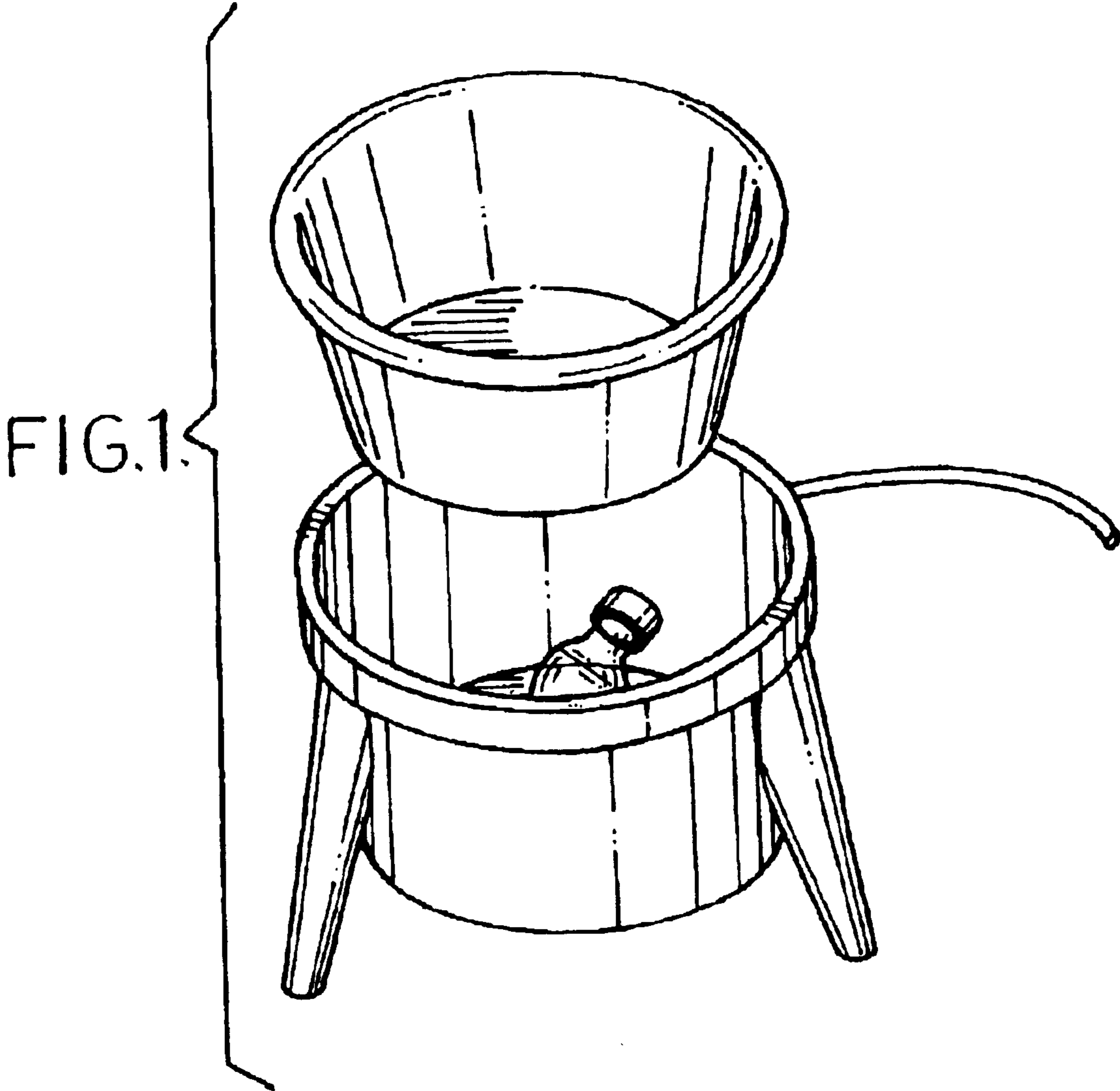
FIG. 6 is a bottom plan view thereof.

The chord element shown in FIGS. 1, 3, 4, 5 and 6 on the base portion of the claimed design is understood to be of indeterminate length.

It is understood that the heating element shown inside the base portion of FIG. 1 is a conventional light bulb.

1 Claim, 4 Drawing Sheets





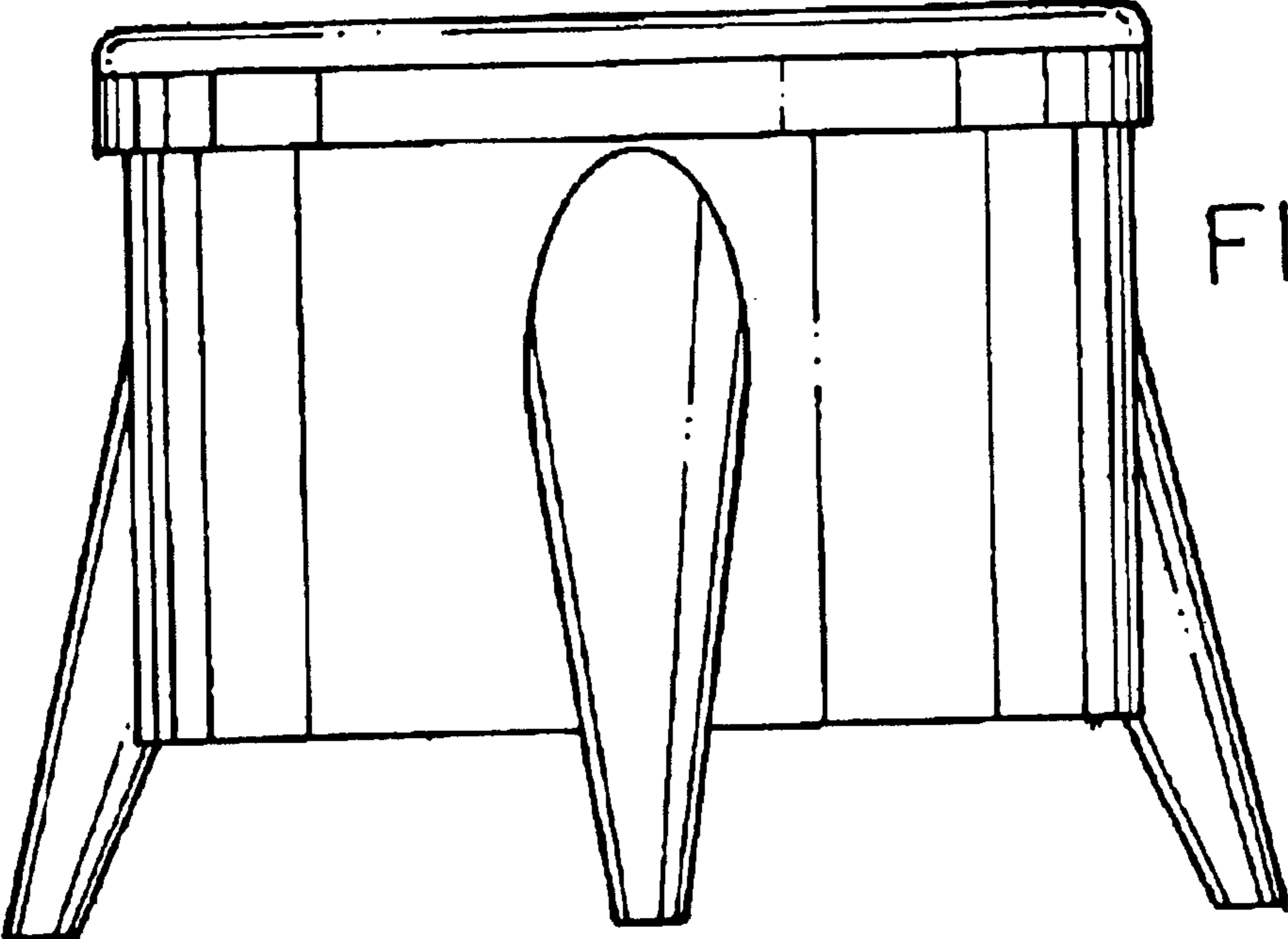


FIG. 2.

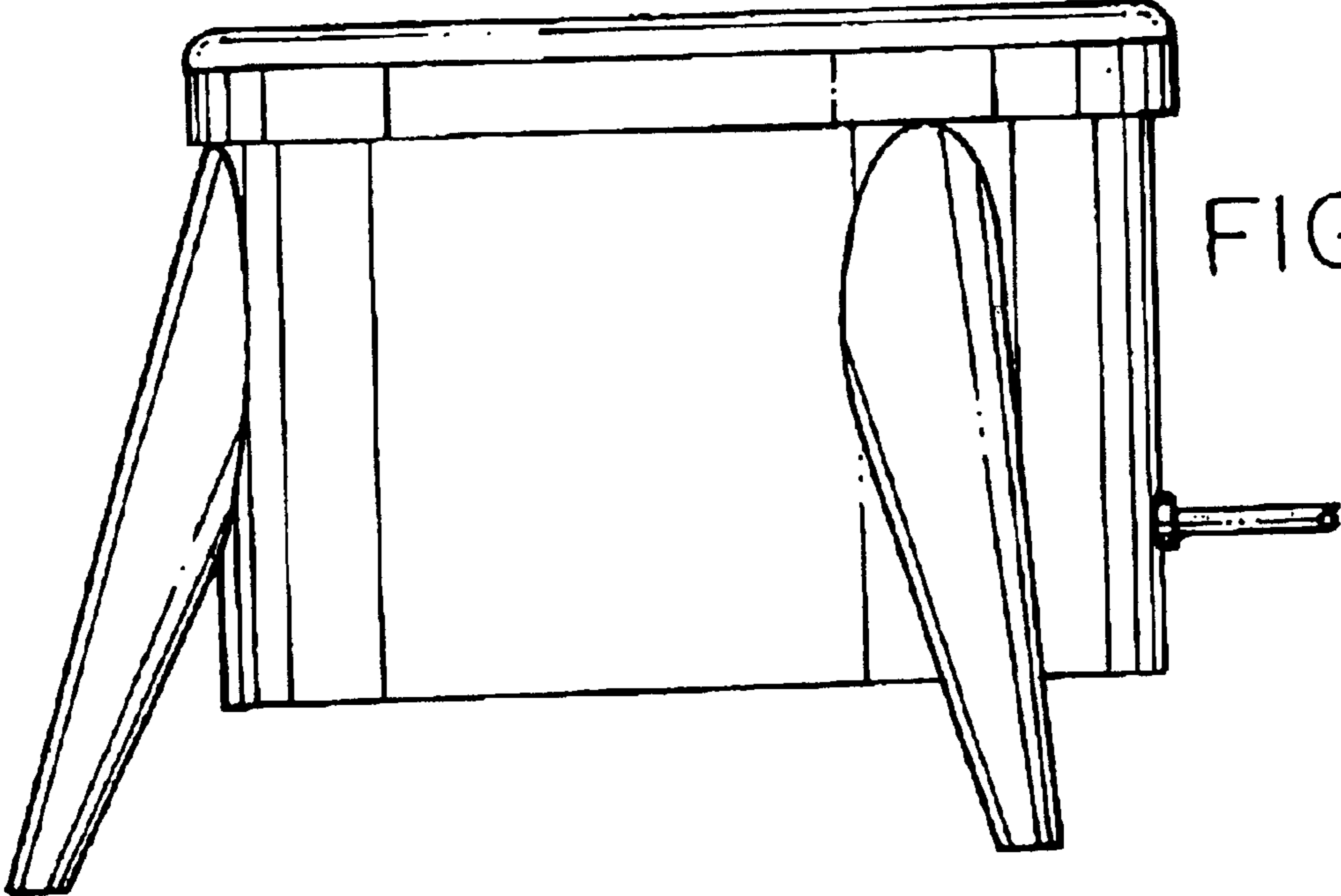


FIG. 4.

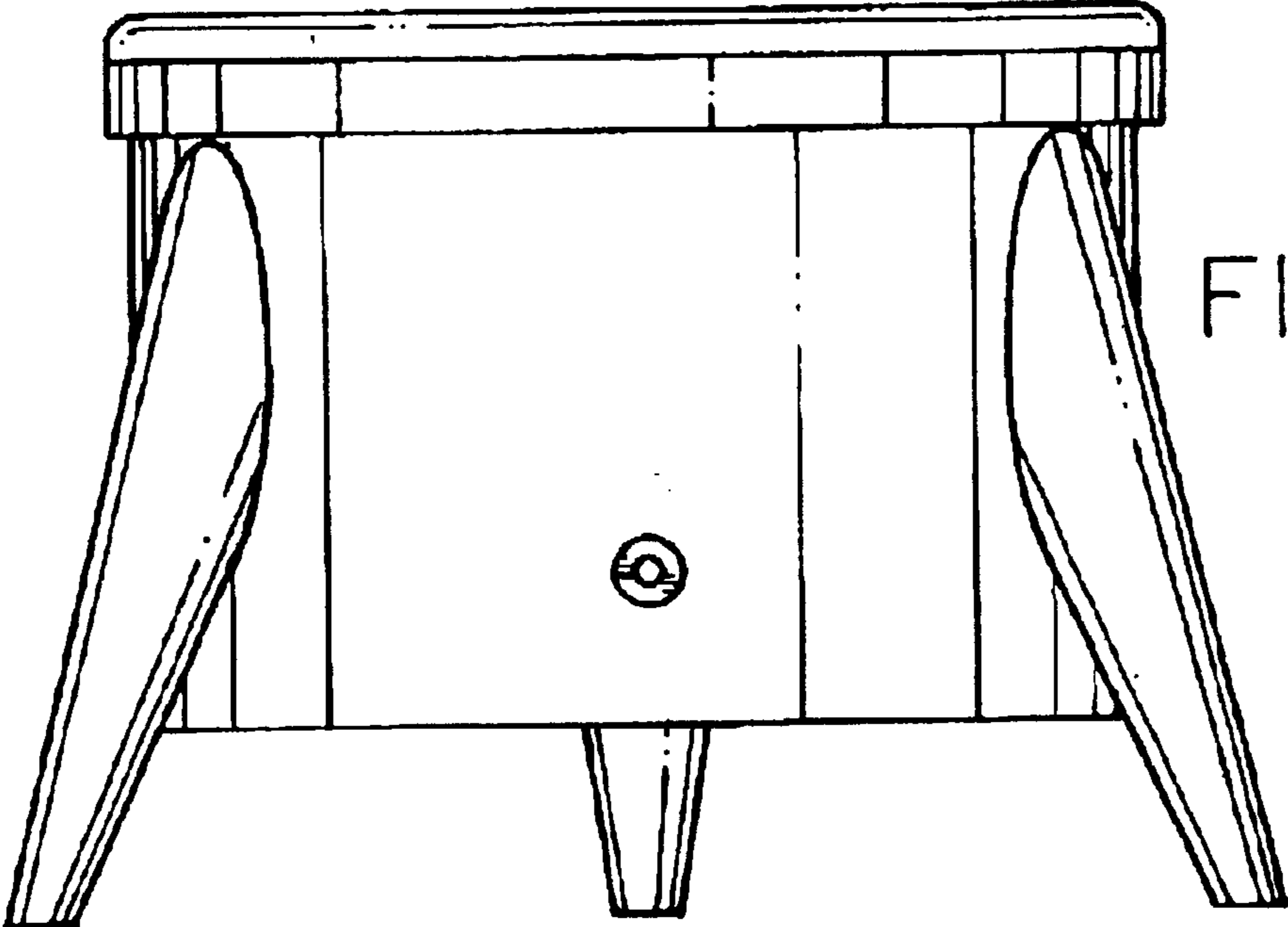


FIG. 3.

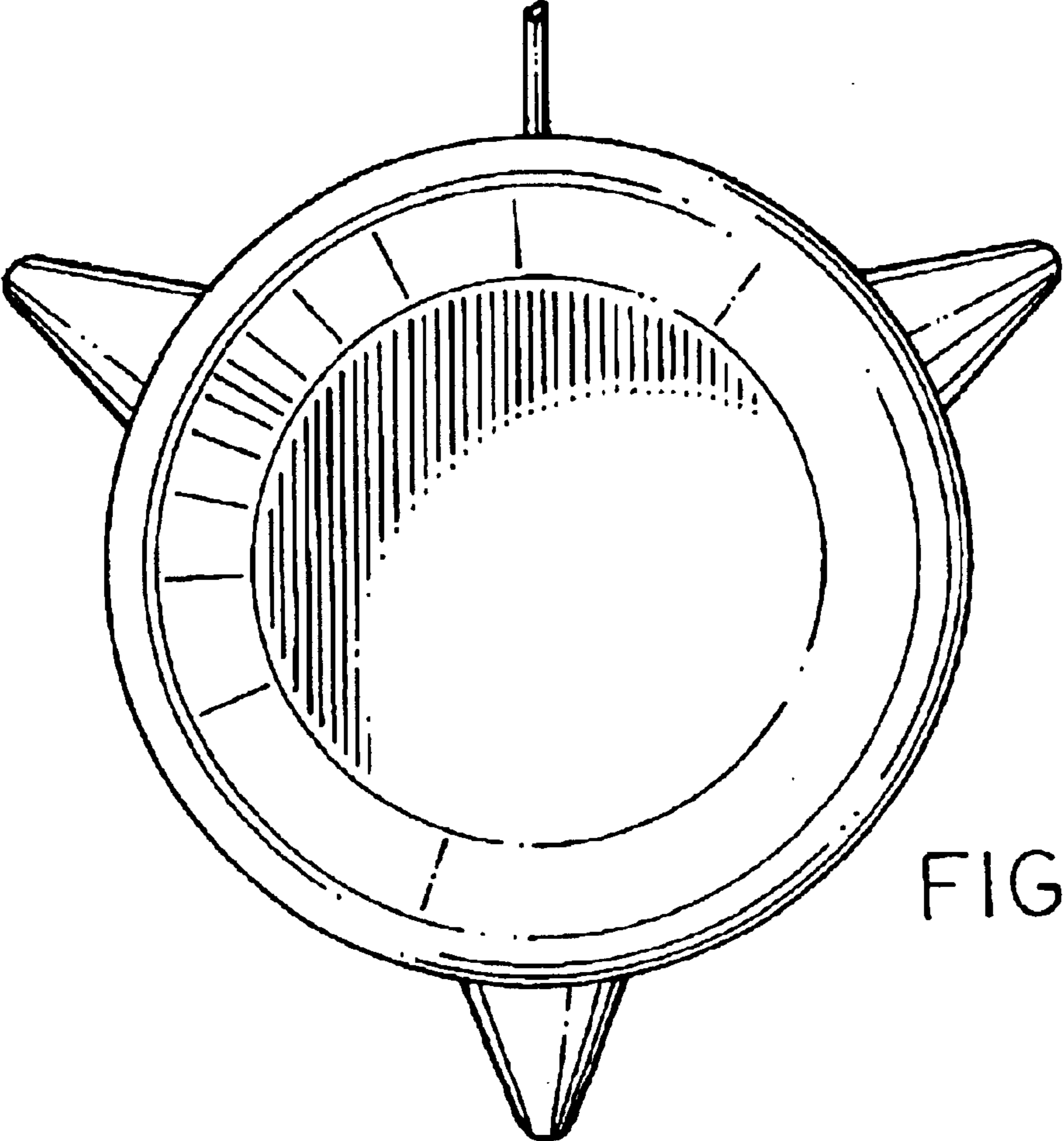


FIG. 5.

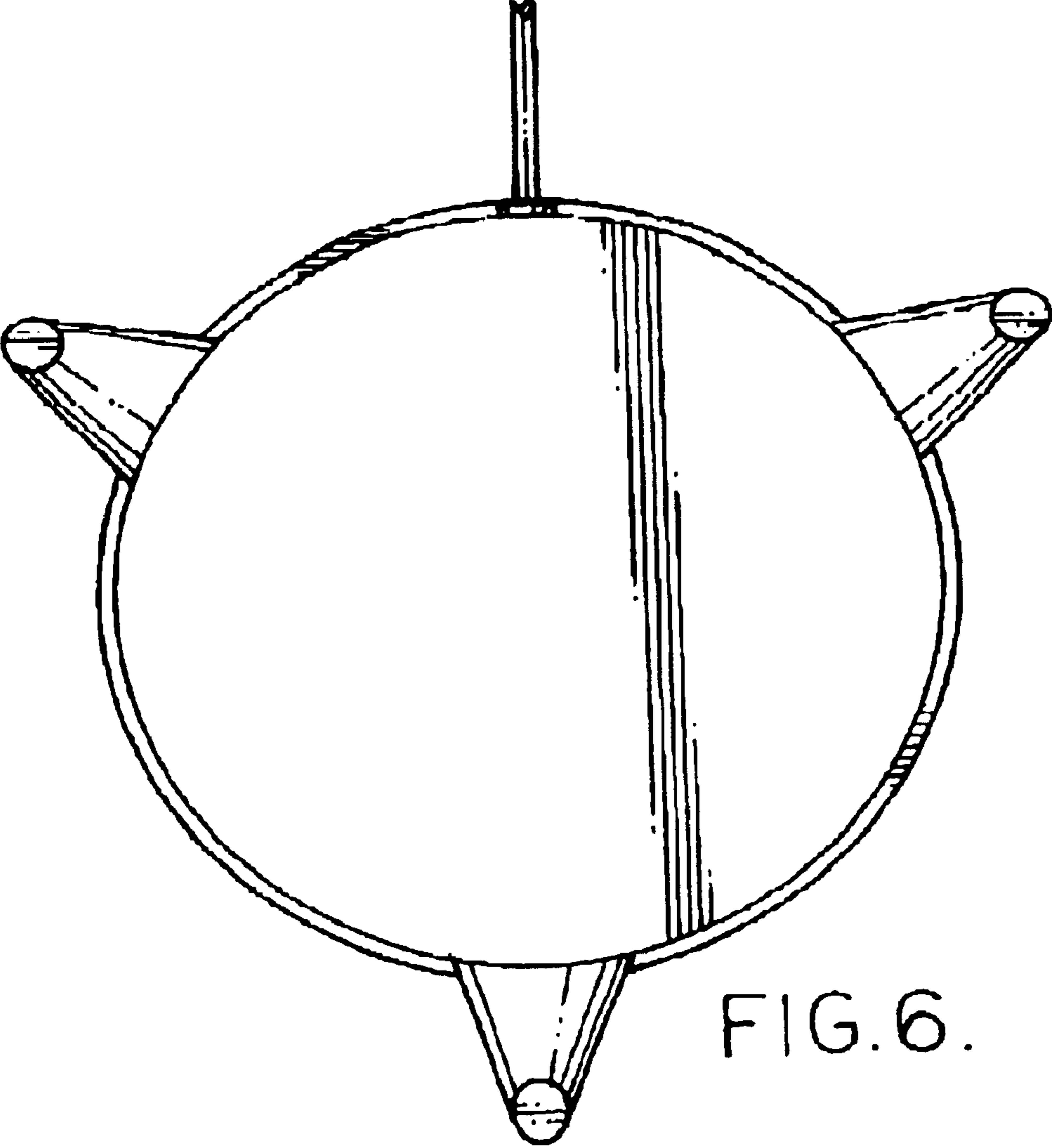


FIG. 6.