

US00D494316S1

(12) **United States Design Patent**
Boyd

(10) **Patent No.:** **US D494,316 S**
(45) **Date of Patent:** **** Aug. 10, 2004**

- (54) **DENTIFRICE**
- (75) **Inventor:** **Thomas J. Boyd, Metuchen, NJ (US)**
- (73) **Assignee:** **Colgate-Palmolive Company, New York, NY (US)**
- (**) **Term:** **14 Years**
- (21) **Appl. No.:** **29/195,265**
- (22) **Filed:** **Dec. 9, 2003**
- (51) **LOC (7) Cl.** **28-02**
- (52) **U.S. Cl.** **D28/4; D28/8.1**
- (58) **Field of Search** **D28/4, 8.1, 88, D28/90; 424/49, 50, 52, 53, 54, 58; D1/112, 130**

4,849,212 A	7/1989	Glandorf et al.	424/52
D304,382 S	* 10/1989	Mohrle	D28/8.1
5,993,784 A	* 11/1999	Hill	424/49
D420,463 S	2/2000	Mandadi et al.	D28/4
6,126,923 A	* 10/2000	Burke et al.	424/49
6,139,820 A	* 10/2000	Fischer et al.	424/52
6,592,852 B1	7/2003	Ryles et al.	424/49

* cited by examiner

Primary Examiner—Jennifer Rivard
(74) *Attorney, Agent, or Firm*—Clifford Wilkins

(57) **CLAIM**

The ornamental design for a dentifrice, as shown and described.

DESCRIPTION

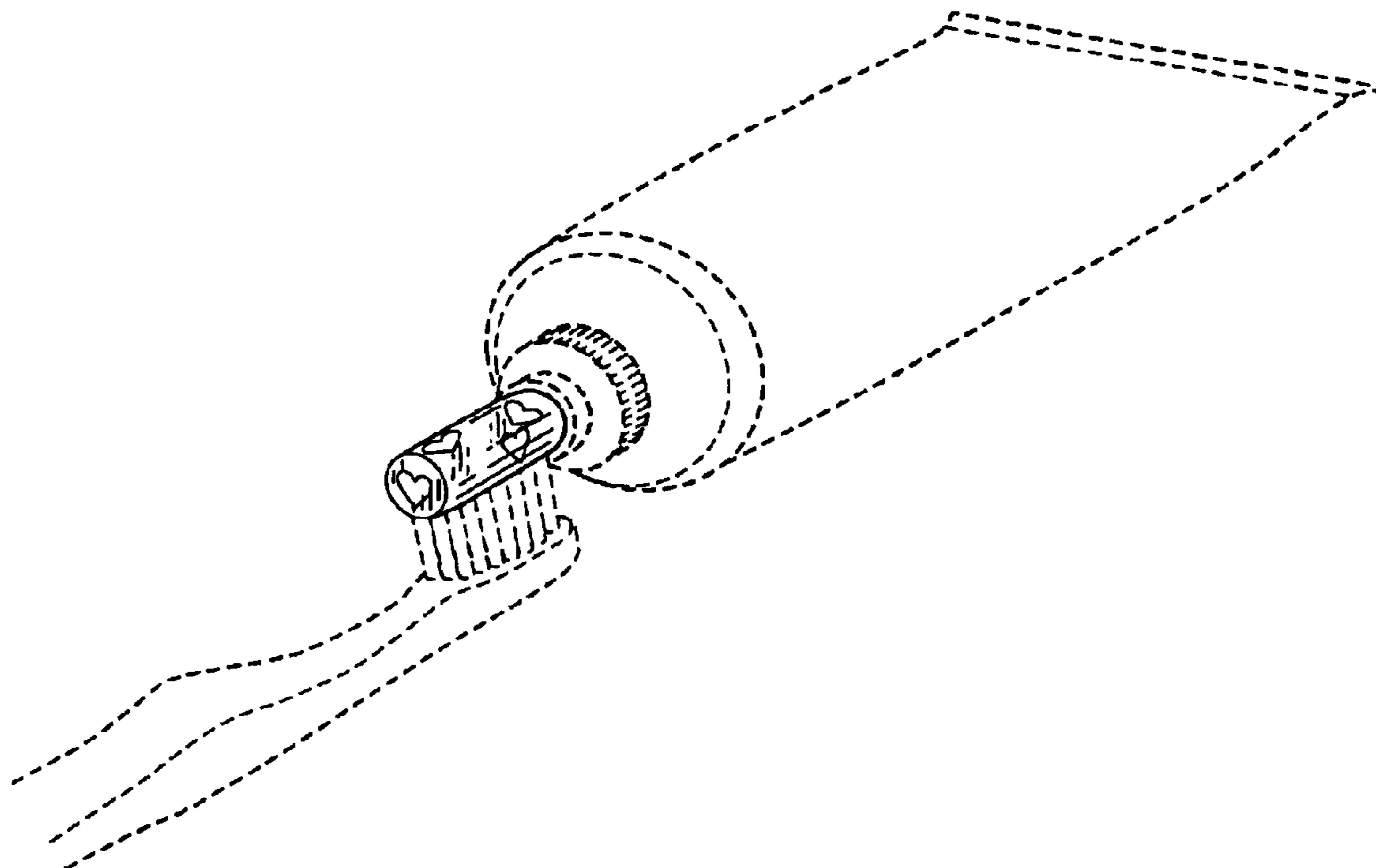
FIG. 1 is a perspective view of a segment of the dentifrice of my design;
FIG. 2 is a side elevation view thereof.
FIG. 3 is a end elevation view thereof; and,
FIG. 4 is a top plan view thereof.
The broken line showing of a toothbrush and tube are for illustrative purposes only and form no part of the claimed design.

(56) **References Cited**

U.S. PATENT DOCUMENTS

3,944,661 A	3/1976	Colodney et al.	424/49
4,003,971 A	1/1977	Mannara	262/9
4,069,311 A	1/1978	Mannara	424/49
4,069,312 A	1/1978	Mannara	424/49
D277,611 S	* 2/1985	Sanabria	D28/8.1
4,663,152 A	* 5/1987	Barth et al.	424/49

1 Claim, 1 Drawing Sheet



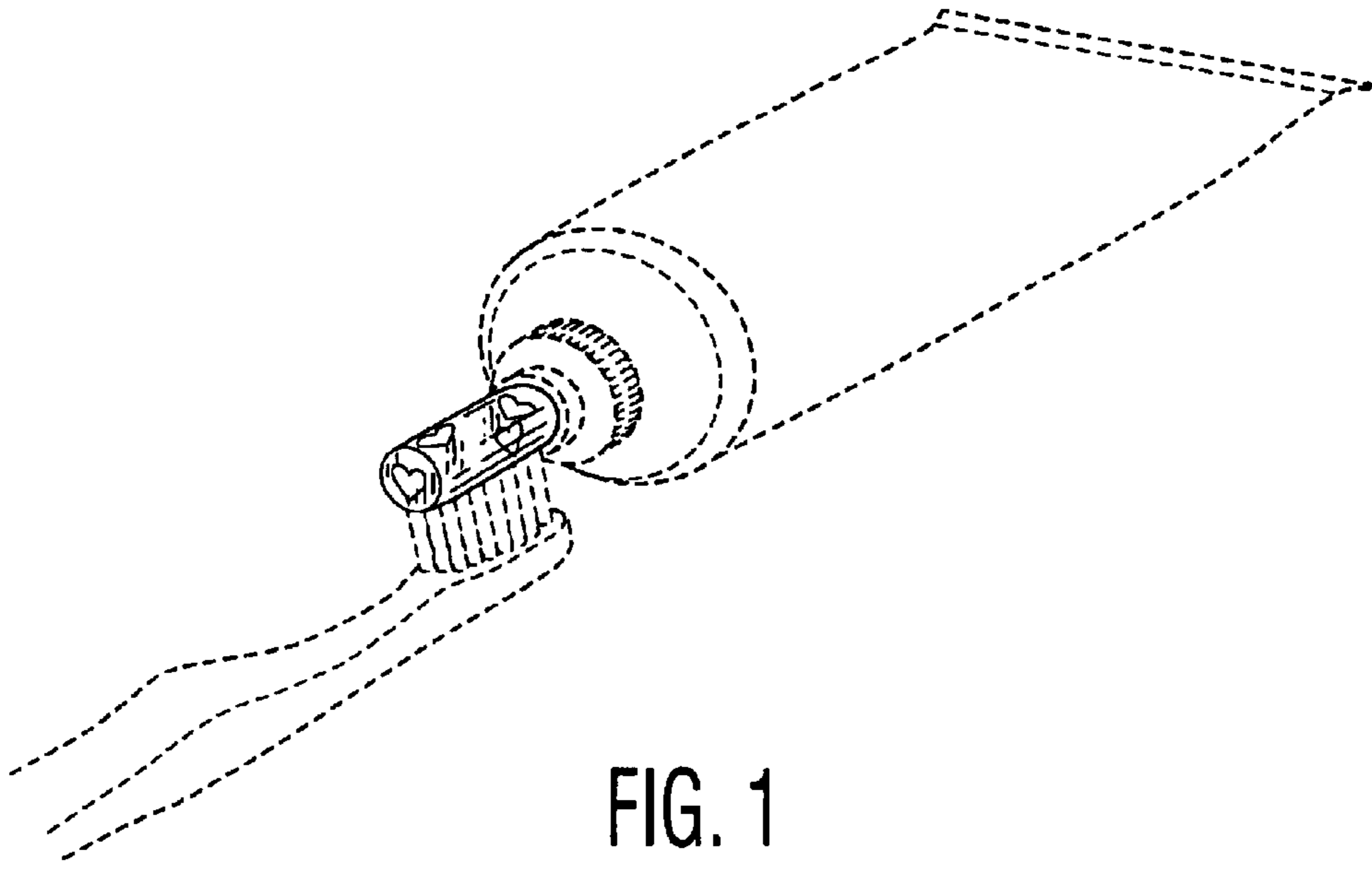


FIG. 1



FIG. 2



FIG. 3

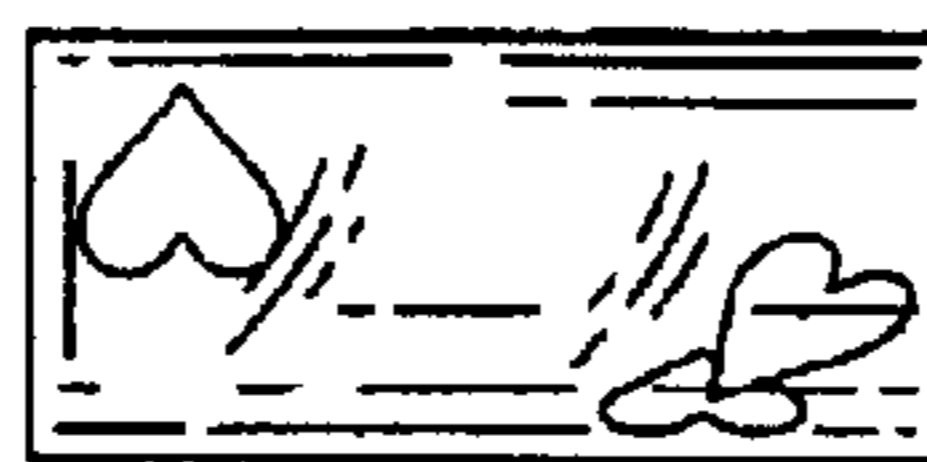


FIG. 4