



US00D494309S1

(12) **United States Design Patent**
Becker

(10) **Patent No.:** **US D494,309 S**
(45) **Date of Patent:** **** Aug. 10, 2004**

(54) **OUTDOOR ILLUMINARY ASSEMBLY**

(57) **CLAIM**

(76) **Inventor:** **Paul J. Becker**, 4037 E. English,
Wichita, KS (US) 67218

The ornamental design for an outdoor illuminary assembly,
as shown and described.

(**) **Term:** **14 Years**

DESCRIPTION

(21) **Appl. No.:** **29/177,380**

FIG. 1 is a perspective view of the outdoor illuminary
assembly of this invention;

(22) **Filed:** **Mar. 11, 2003**

FIG. 2 is a front elevational view thereof;

(51) **LOC (7) Cl.** **26-99**

FIG. 3 is a top plan view thereof;

(52) **U.S. Cl.** **D26/125; D26/94**

FIG. 4 is a left side elevational view thereof, the right side
being a mirror image;

(58) **Field of Search** **D26/94, 118, 125,**
D26/128-137; 362/806, 310, 351, 355,
356, 357, 359, 360, 361, 363; D9/305;
D11/117

FIG. 5 is a back elevational view;

(56) **References Cited**

FIG. 6 is a bottom plan view;

U.S. PATENT DOCUMENTS

FIG. 7 is a sectional view taken along line 7—7 in FIG. 1;
and,

- 4,812,954 A * 3/1989 Marton 362/806
- D419,436 S * 1/2000 Celtorius et al. D9/305
- D442,320 S * 5/2001 Pudlowski et al. D26/94

FIG. 8 is a sectional view taken along line 8—8 in FIG. 3.

OTHER PUBLICATIONS

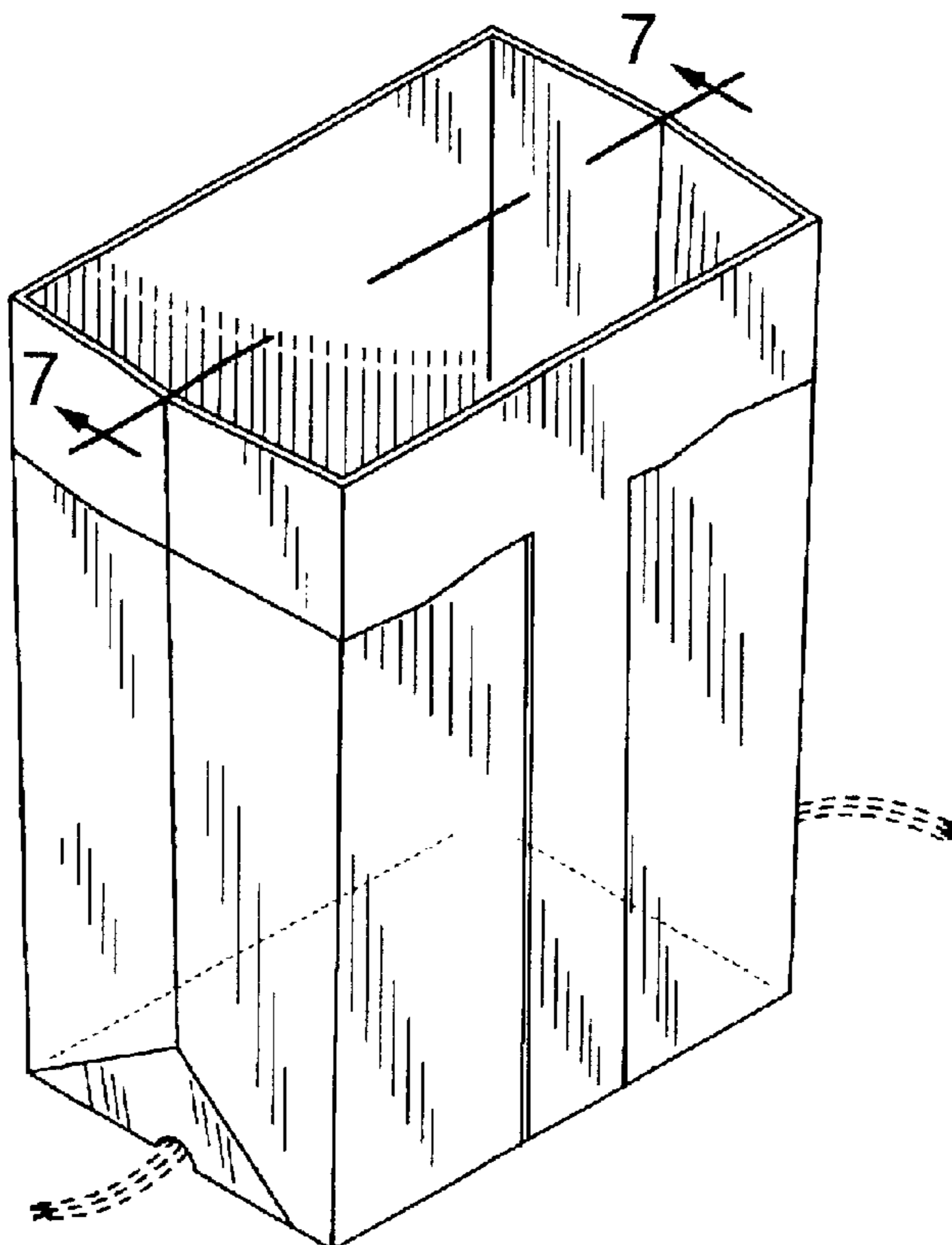
The candle member and light bulb assembly are shown in
broken lines for illustrative purposes only and form no part
of the claimed invention.

Fame Group Square Light, Aug. '97, Taiwan Lighting.*

* cited by examiner

Primary Examiner—Jennifer Rivard

1 Claim, 2 Drawing Sheets



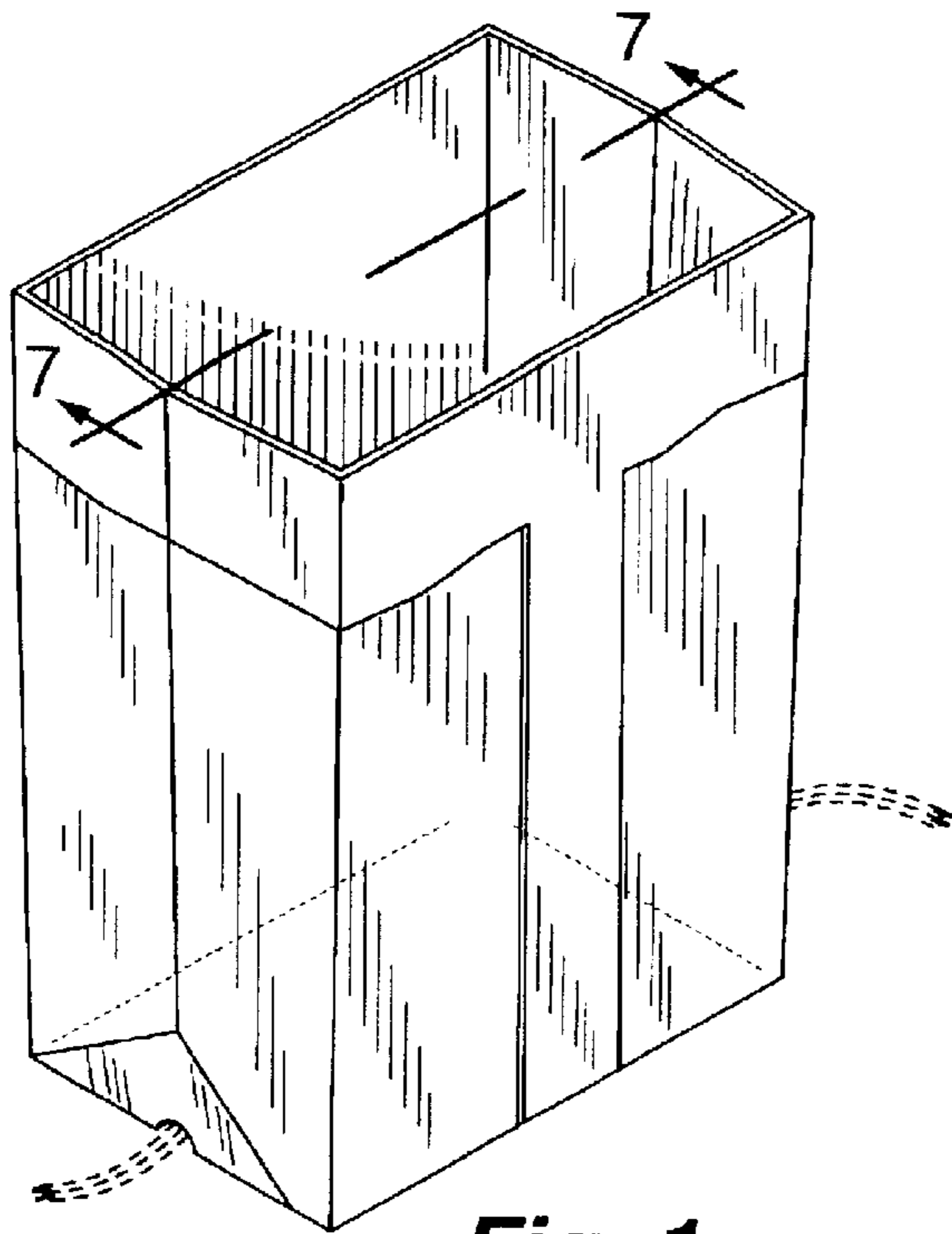


Fig. 1

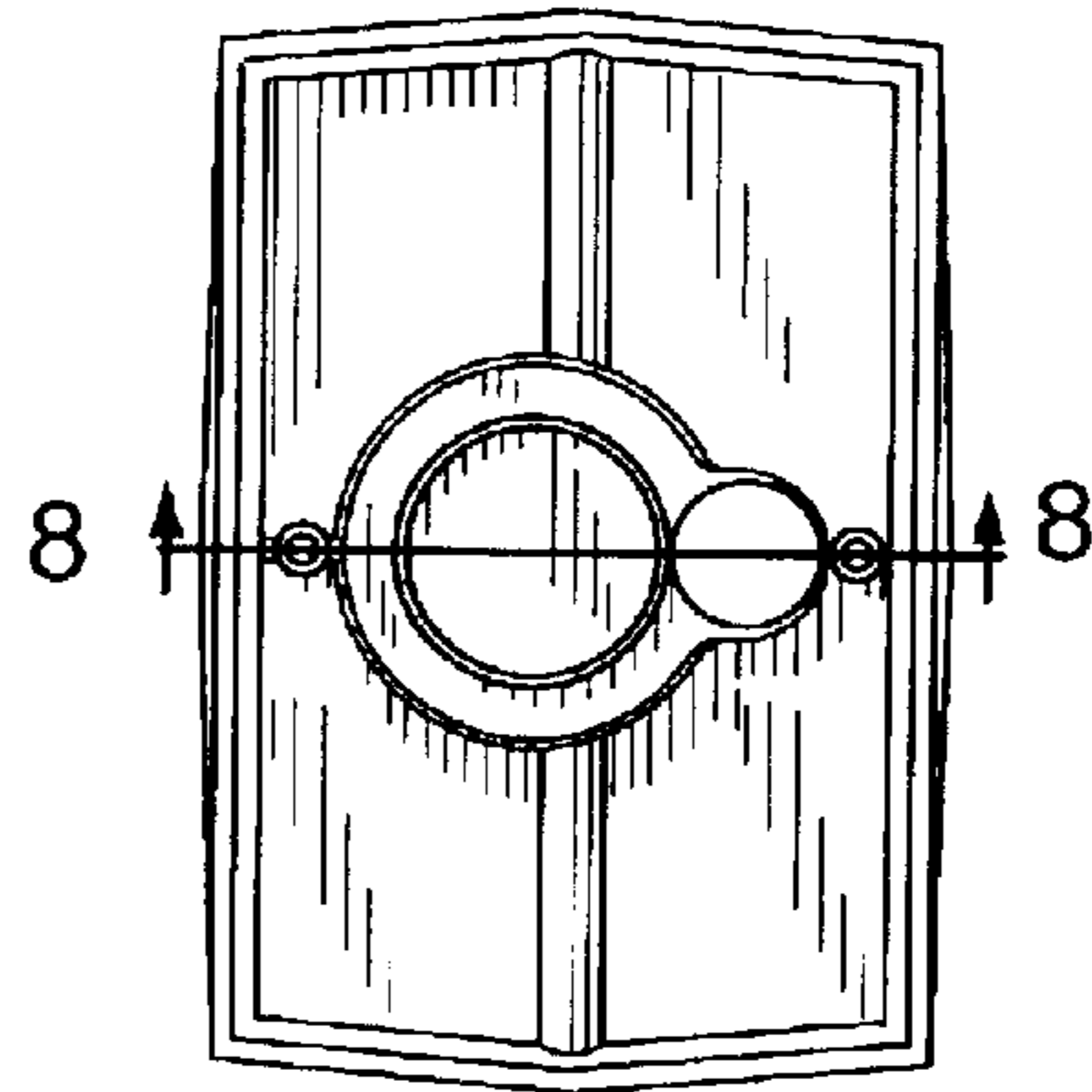


Fig. 3

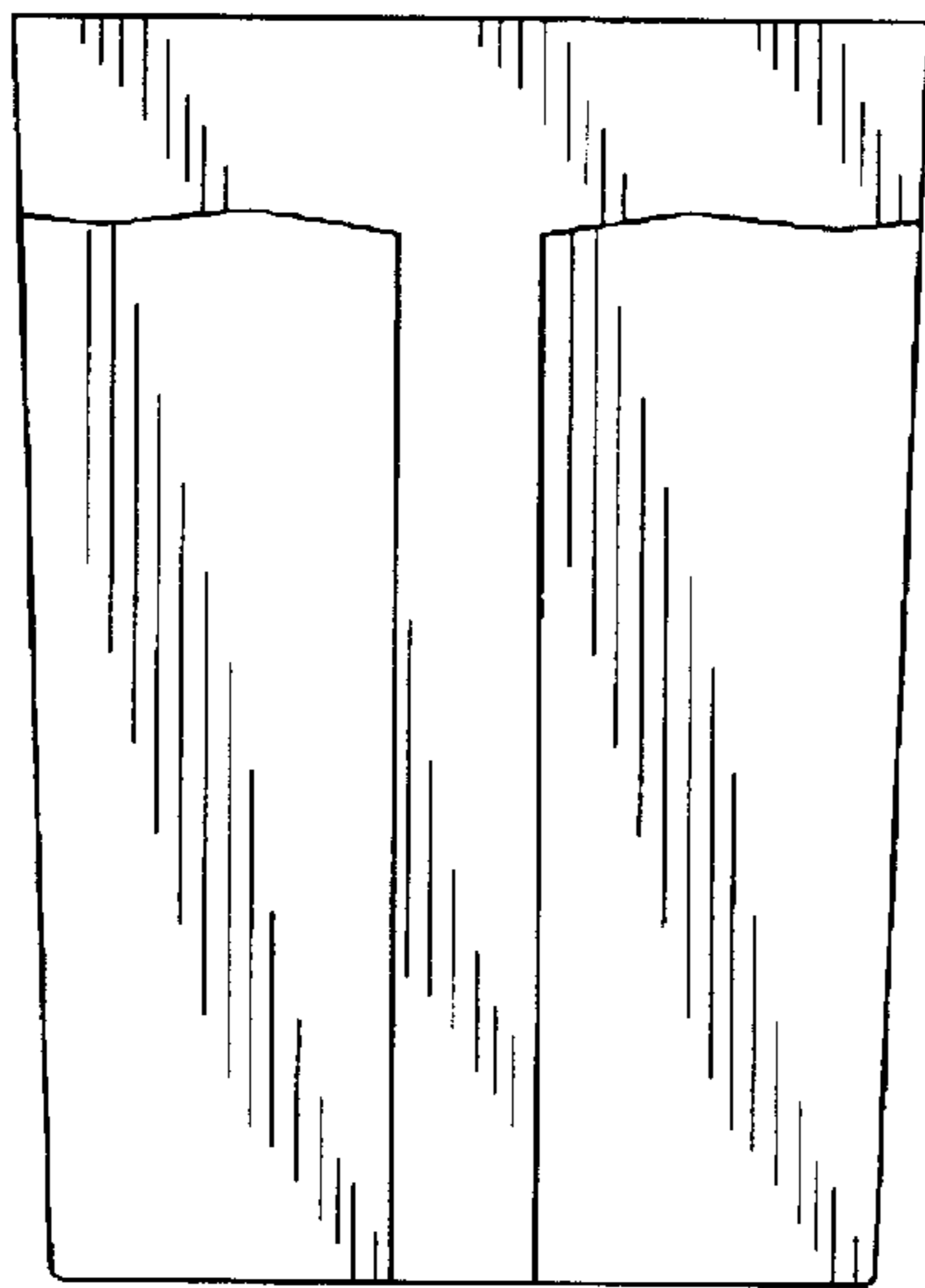
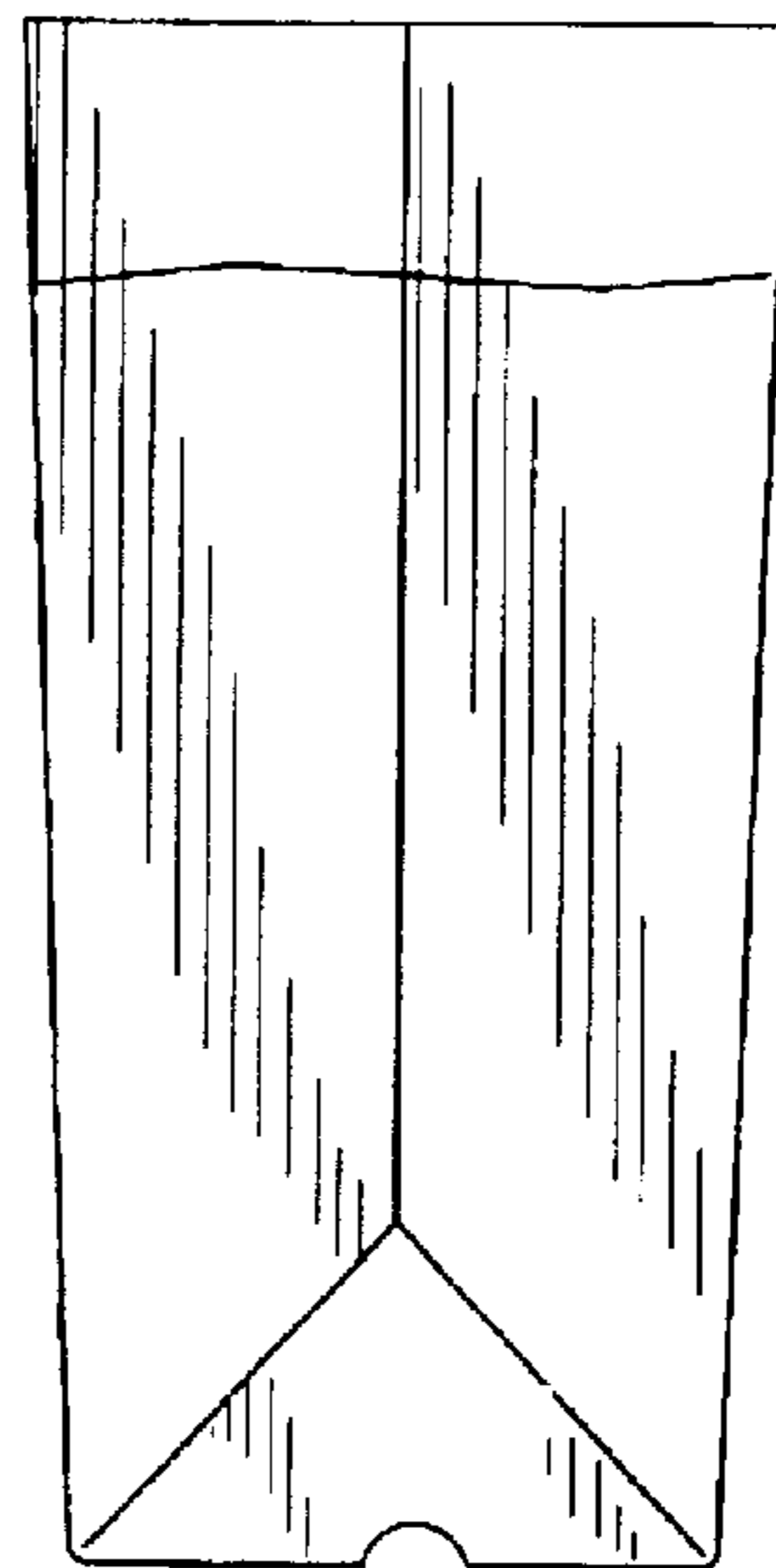


Fig. 2

Fig. 4



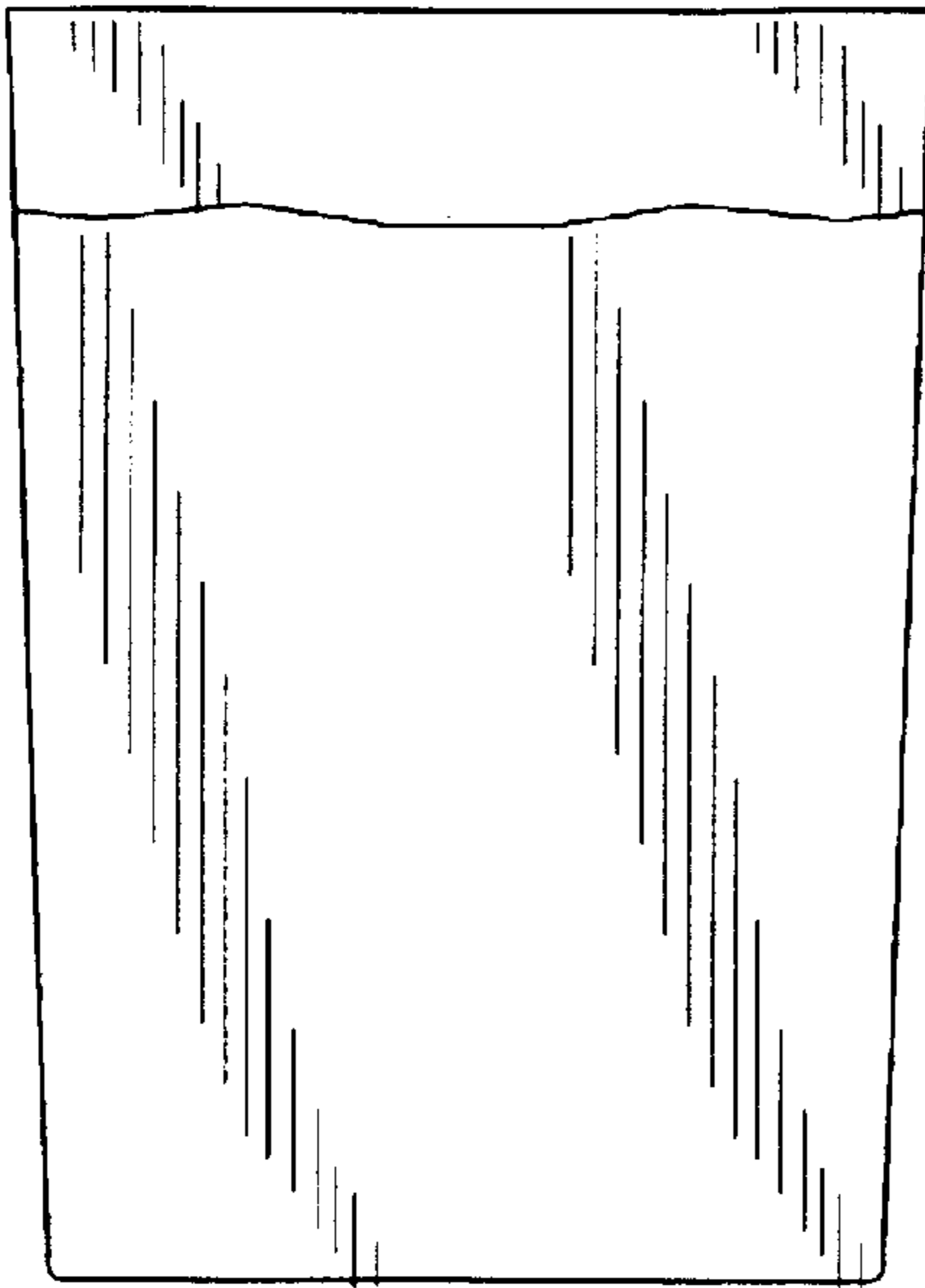


Fig. 5

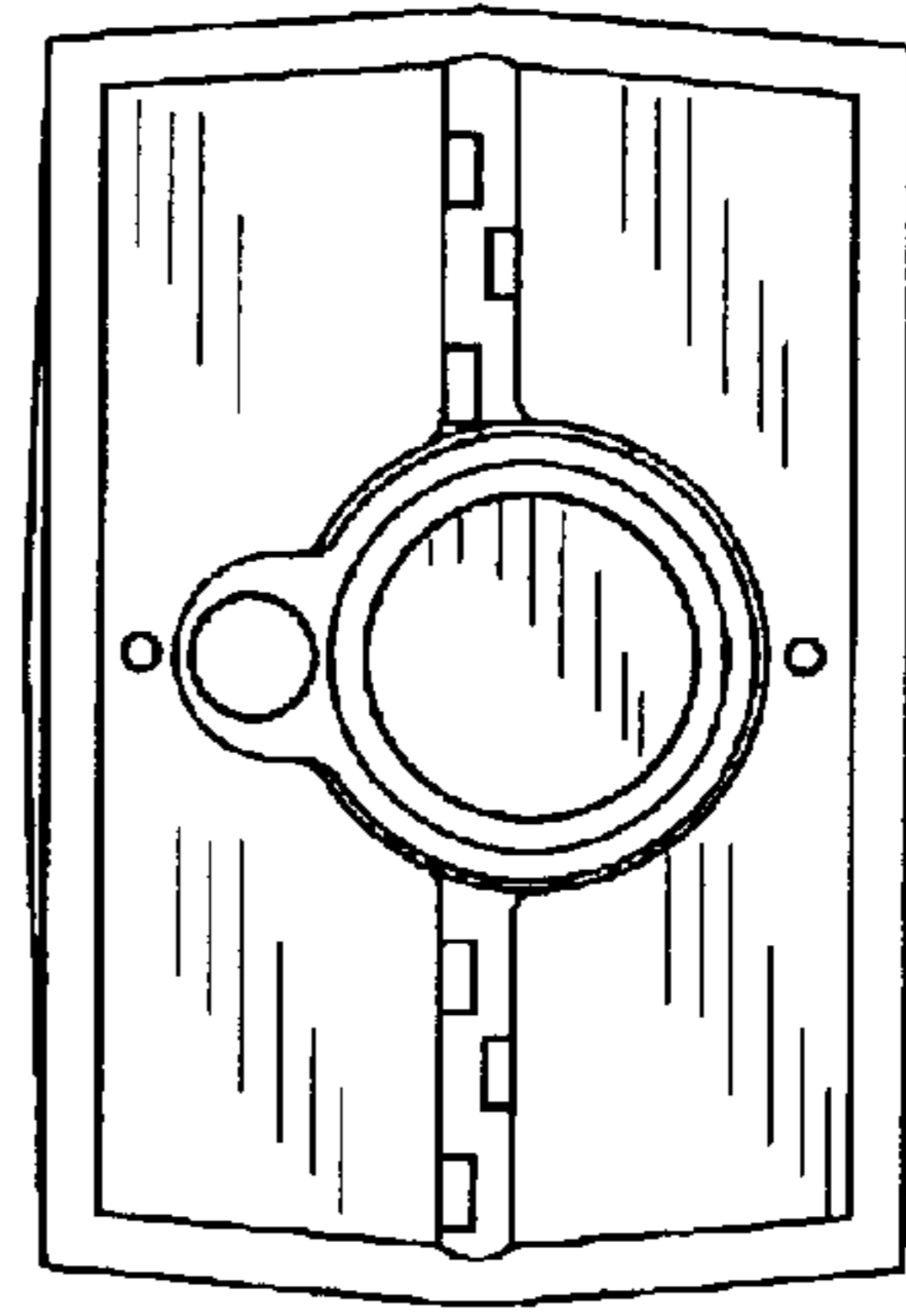


Fig. 6

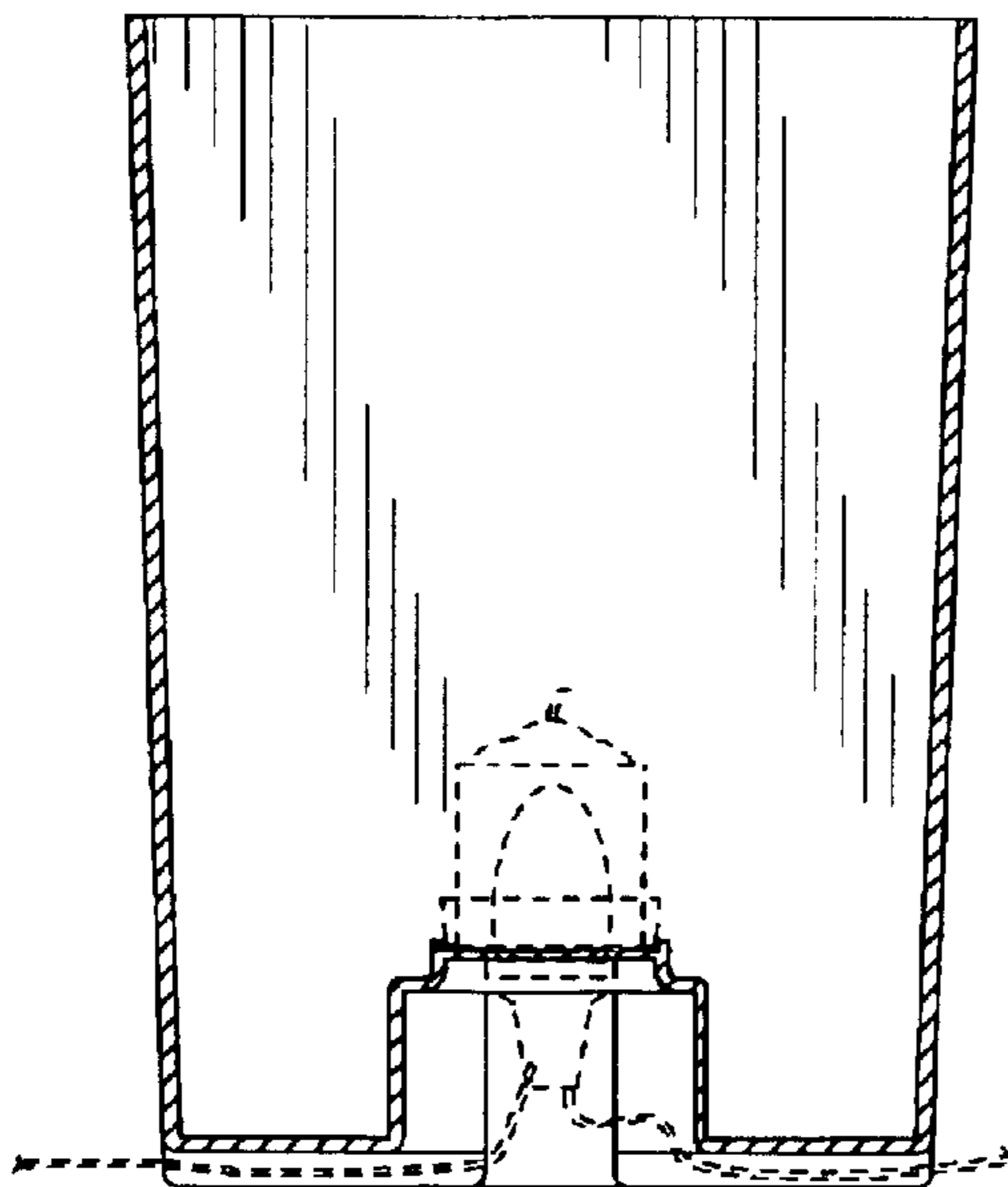


Fig. 7

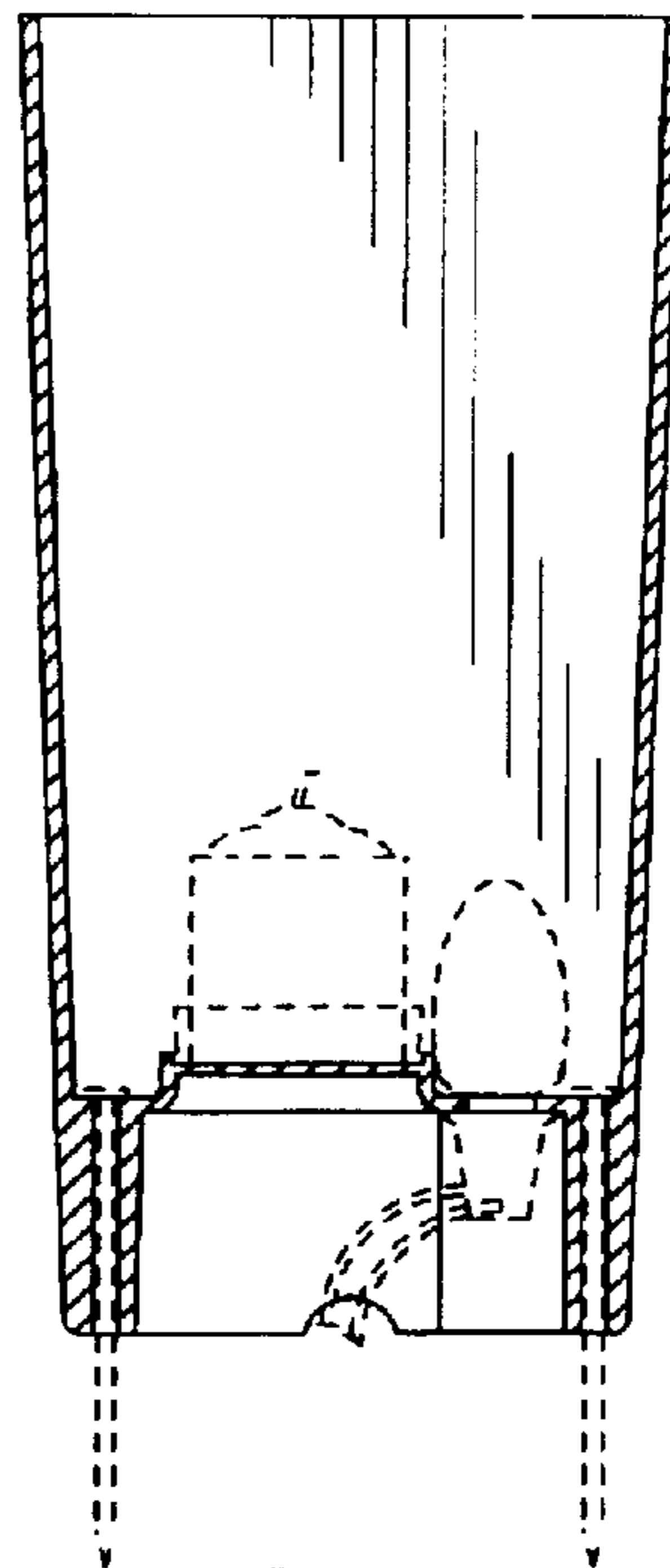


Fig. 8