

US00D494307S1

(12) **United States Design Patent**
Yu et al.

(10) **Patent No.: US D494,307 S**
(45) **Date of Patent: ** Aug. 10, 2004**

(54) **COLD CATHODE FLUORESCENCE LAMP COVER**

(75) Inventors: **Tai-Cheng Yu**, Tu-Chen (TW); **Charles Leu**, Tu-chen (TW); **Ga-Lane Chen**, Tu-Chen (TW)

(73) Assignee: **Hon Hai Precision Ind. Co., LTD**, Taipei Hsien (TW)

(**) Term: **14 Years**

(21) Appl. No.: **29/180,845**

(22) Filed: **Apr. 30, 2003**

(30) **Foreign Application Priority Data**

Mar. 25, 2003 (CN) 92301658

(51) **LOC (7) Cl.** **26-99**

(52) **U.S. Cl.** **D26/118**

(58) **Field of Search** D26/75-79, 118, D26/120-124; 362/260, 217-218, 222-224, 249, 326, 338, 341, 358, 360

(56) **References Cited**

U.S. PATENT DOCUMENTS

D201,986 S * 8/1965 Wince D26/122

D316,613 S * 4/1991 Stein D26/122
5,716,128 A * 2/1998 Clark et al. 362/260
5,746,502 A * 5/1998 Huang 362/260
6,543,912 B1 * 4/2003 Simon 362/338
6,588,915 B1 * 7/2003 Chen 362/260
2003/0202347 A1 * 10/2003 Chelf et al. 362/260
2003/0218879 A1 * 11/2003 Tieszen 362/249

* cited by examiner

Primary Examiner—Jennifer Rivard

(74) *Attorney, Agent, or Firm*—Wei Te Chung

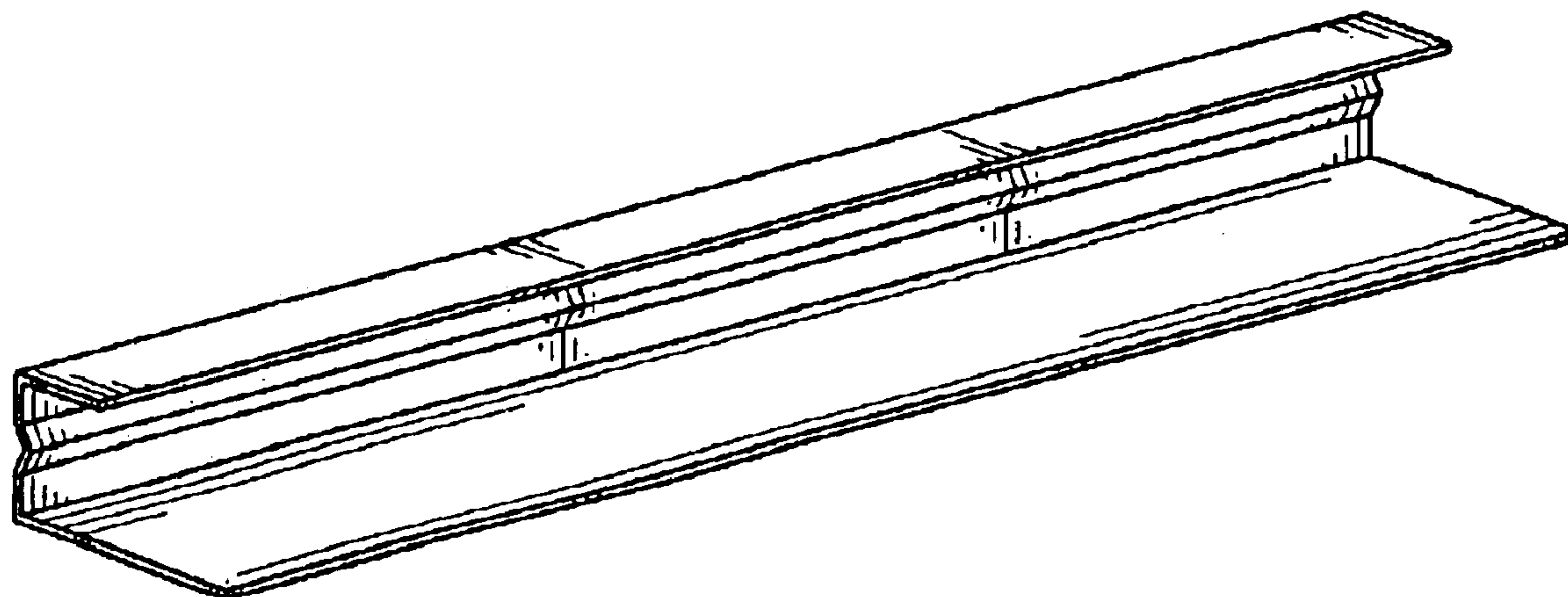
(57) **CLAIM**

The ornamental design for a cold cathode fluorescence lamp cover, as shown and described.

DESCRIPTION

FIG. 1 is a perspective view of a cold cathode fluorescence lamp cover of our new design;
FIG. 2 is a front elevational view thereof;
FIG. 3 is a rear elevational view thereof;
FIG. 4 is a left side elevational view thereof;
FIG. 5 is a right side elevational view thereof;
FIG. 6 is a top plan view thereof; and,
FIG. 7 is a bottom plan view thereof.

1 Claim, 4 Drawing Sheets



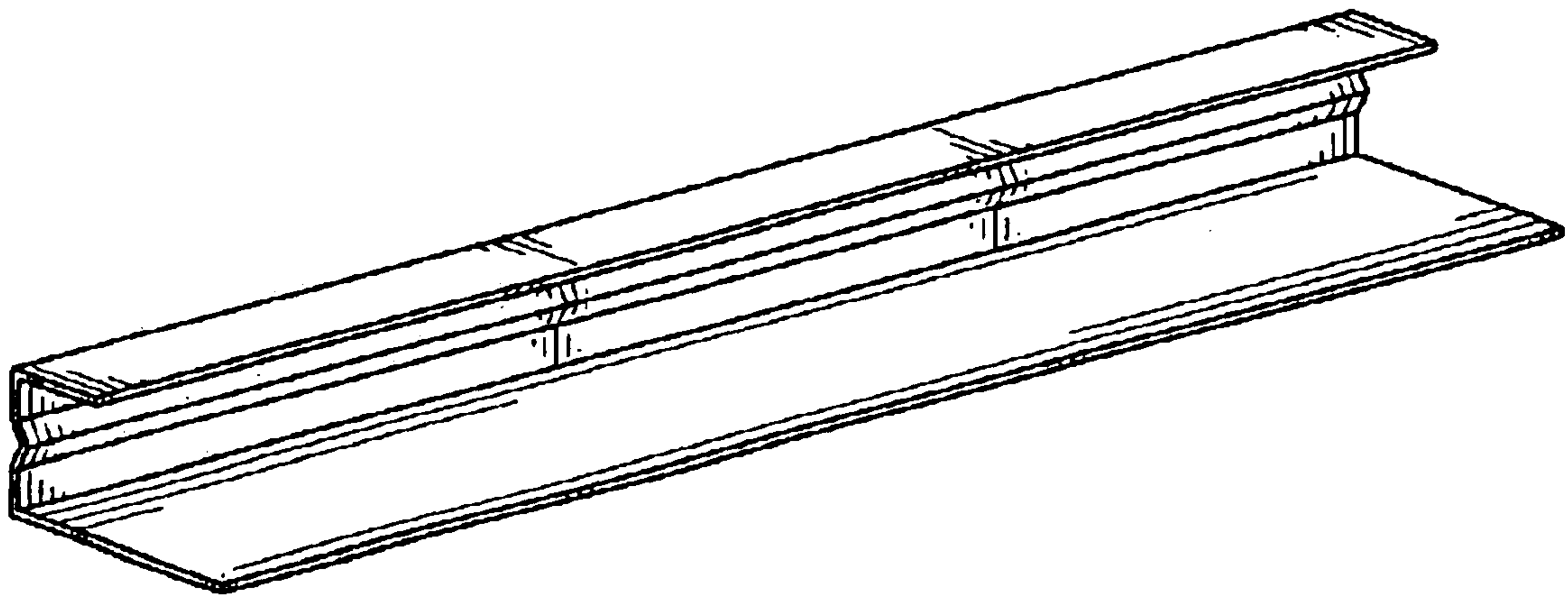


FIG. 1

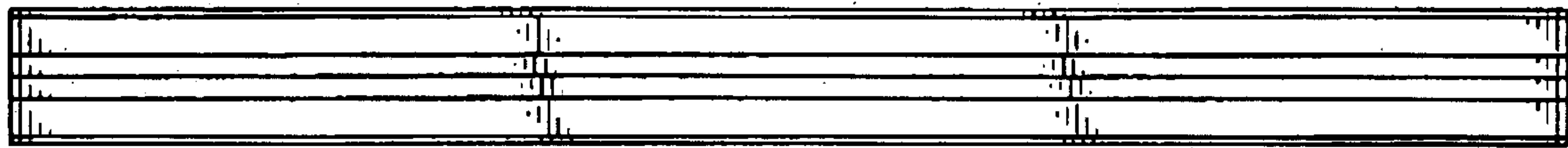


FIG. 2

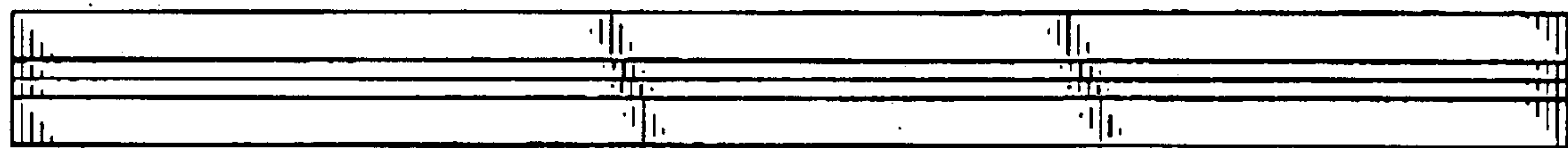


FIG. 3

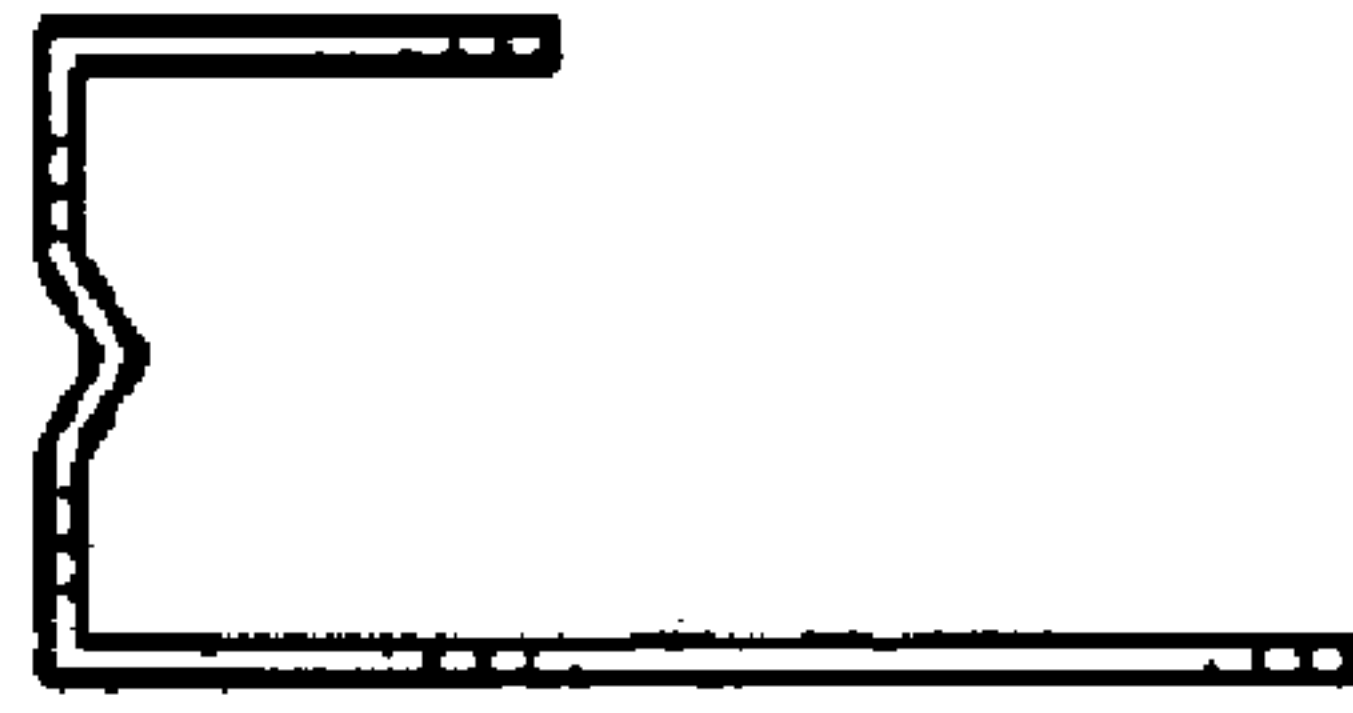


FIG. 4



FIG. 5

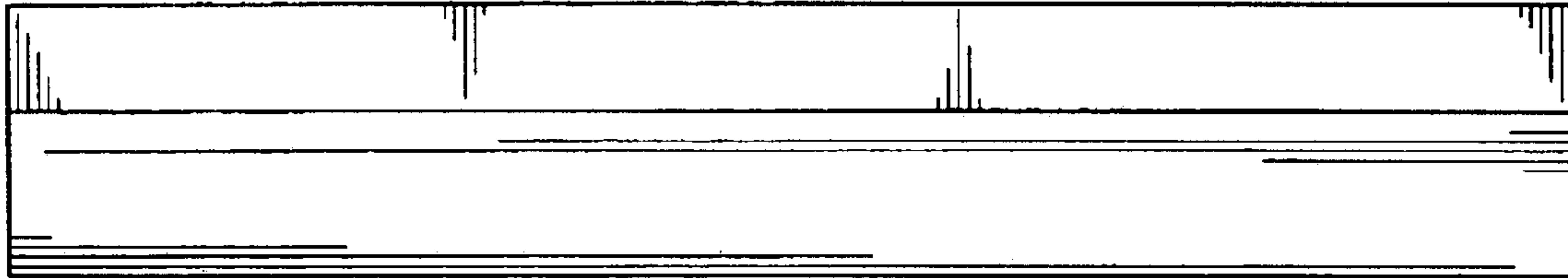


FIG. 6

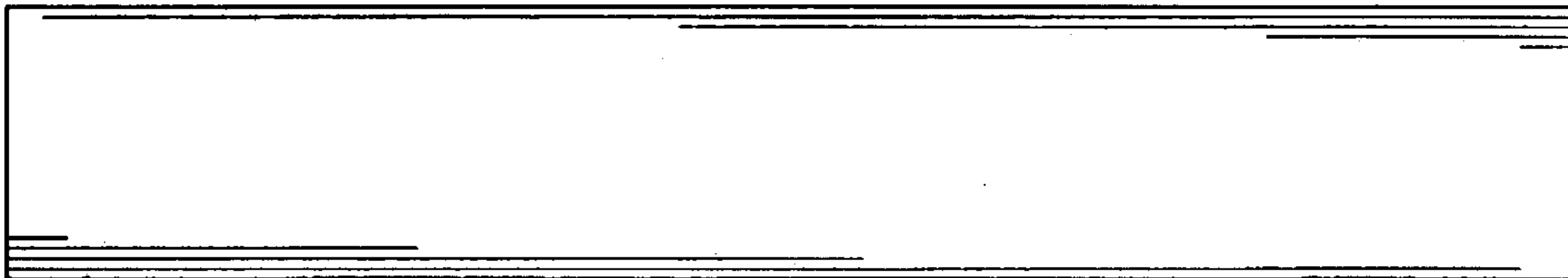


FIG. 7