



US00D494306S1

(12) **United States Design Patent**
Layne

(10) **Patent No.:** **US D494,306 S**

(45) **Date of Patent:** **** Aug. 10, 2004**

(54) **LIGHTING FIXTURE WITH A FLARED GIMBAL RING**

(75) Inventor: **Bruce Layne**, Wheaton, IL (US)

(73) Assignee: **Juno Manufacturing, Inc.**, Des Plaines, IL (US)

(**) Term: **14 Years**

(21) Appl. No.: **29/170,452**

(22) Filed: **Nov. 6, 2002**

(51) **LOC (7) Cl.** **26-99**

(52) **U.S. Cl.** **D26/118**

(58) **Field of Search** D26/113, 118,
D26/119, 121, 138; 362/341, 345, 347,
348, 349, 350

(56) **References Cited**

U.S. PATENT DOCUMENTS

5,964,522 A	*	10/1999	Schaefer et al.	362/350
D435,932 S	*	1/2001	Hiller et al.	D26/118
D450,406 S	*	11/2001	Knappstein	D26/118
6,425,680 B1	*	7/2002	Rippel et al.	362/350

* cited by examiner

Primary Examiner—Jennifer Rivard
(74) *Attorney, Agent, or Firm*—Sonnenschein Nath & Rosenthal LLP

(57) **CLAIM**

The ornamental design for a lighting fixture with a flared gimbal ring, as shown and described.

DESCRIPTION

FIG. 1 is a perspective view of a lighting fixture with a flared gimbal ring in a selected tilted position showing the new design;

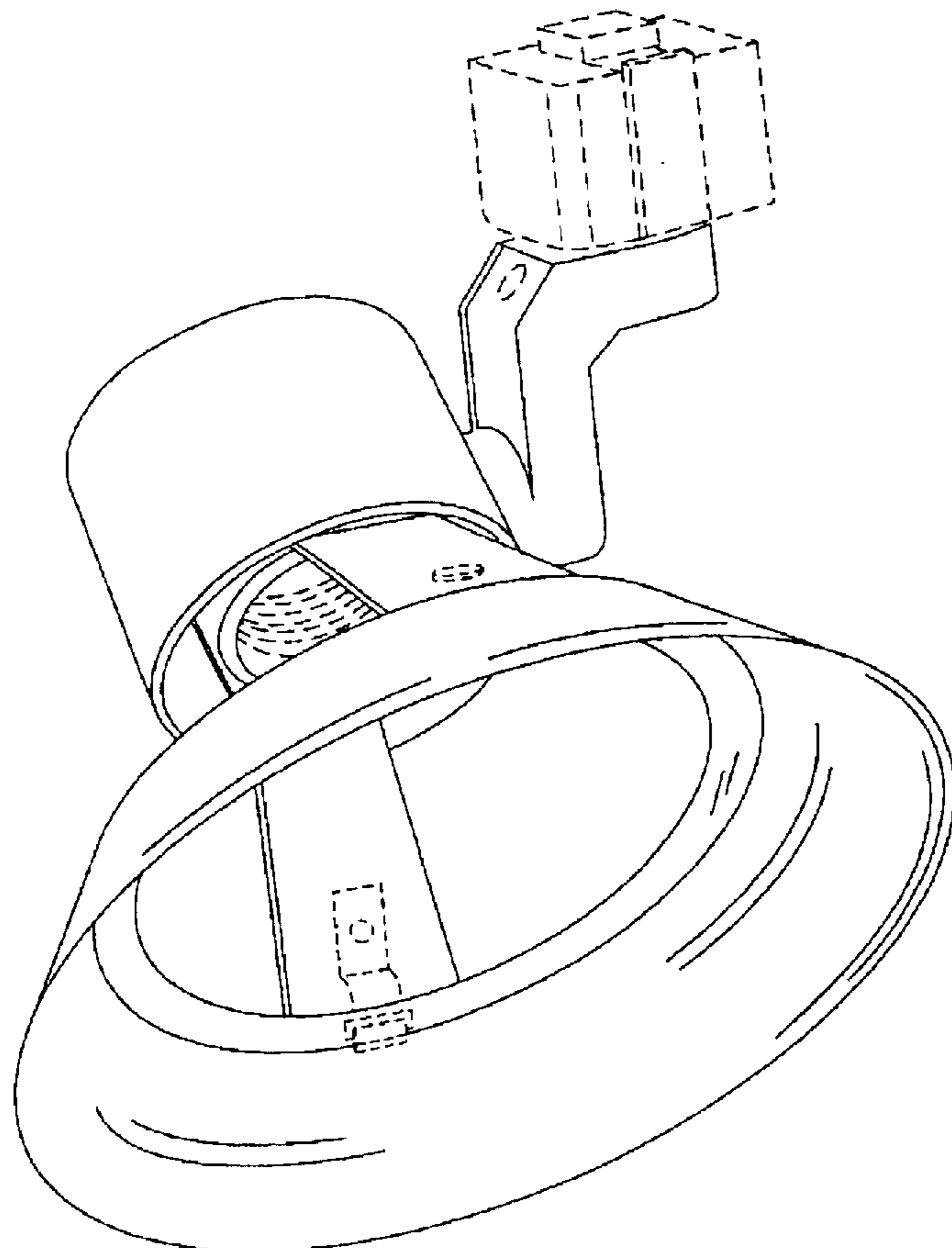
FIG. 2 is a left side view of the lighting fixture with a flared gimbal ring shown in FIG. 1, the right side being a mirror image of the left side;

FIG. 3 is another side view of the lighting fixture with a flared gimbal ring shown in FIG. 2 rotated 90 degrees, the opposite side being a mirror image of the other side view; FIG. 4 is a top view of the lighting fixture with flared gimbal ring shown FIG. 1; and,

FIG. 5 is a bottom view of the lighting fixture with a flared gimbal ring shown in FIG. 1.

The broken lines immediately adjacent to the shaded areas represent the bounds of the claim and all other broken lines are for illustrative purposes only. None of the broken lines form a part of the claimed design.

1 Claim, 5 Drawing Sheets



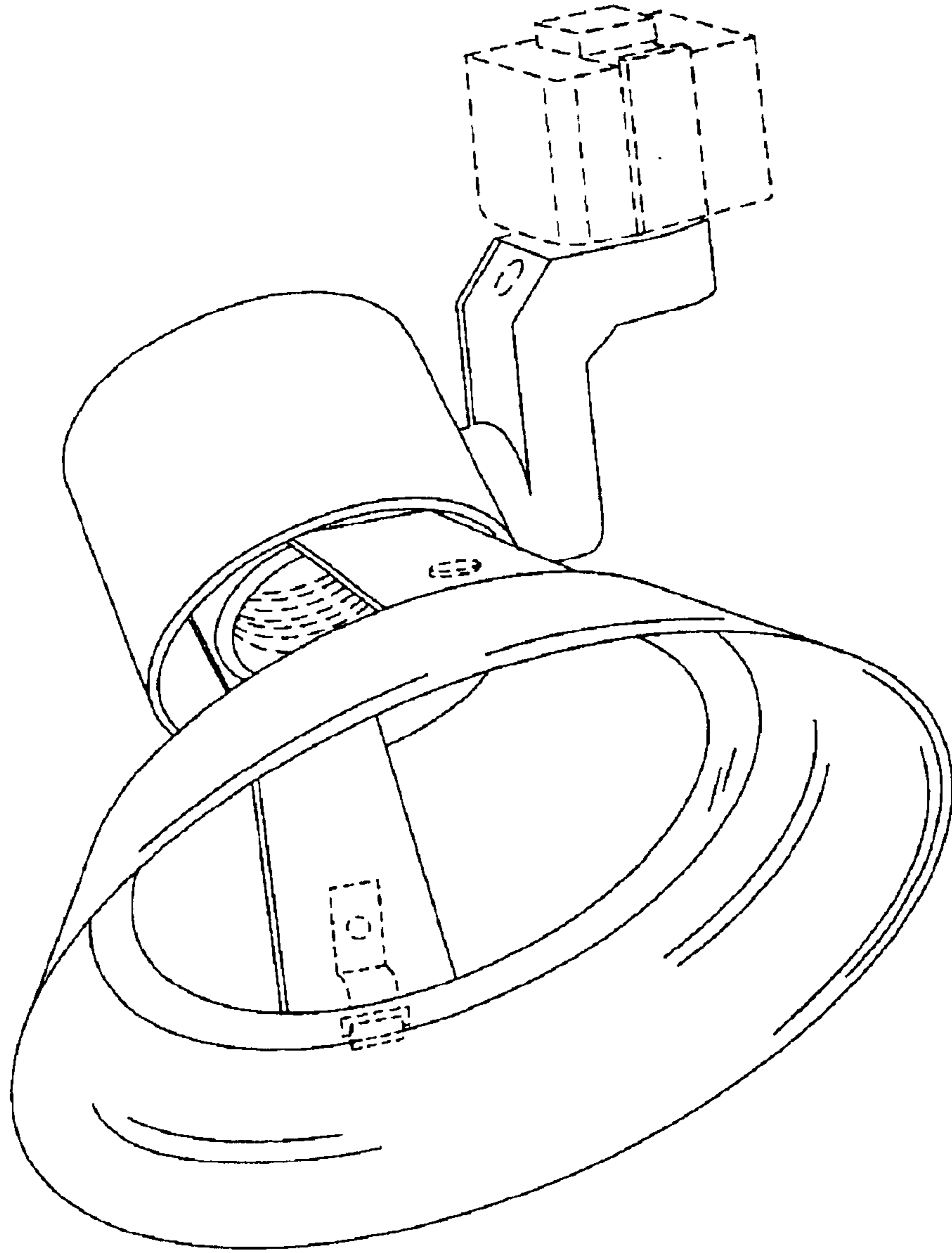


FIG. 1

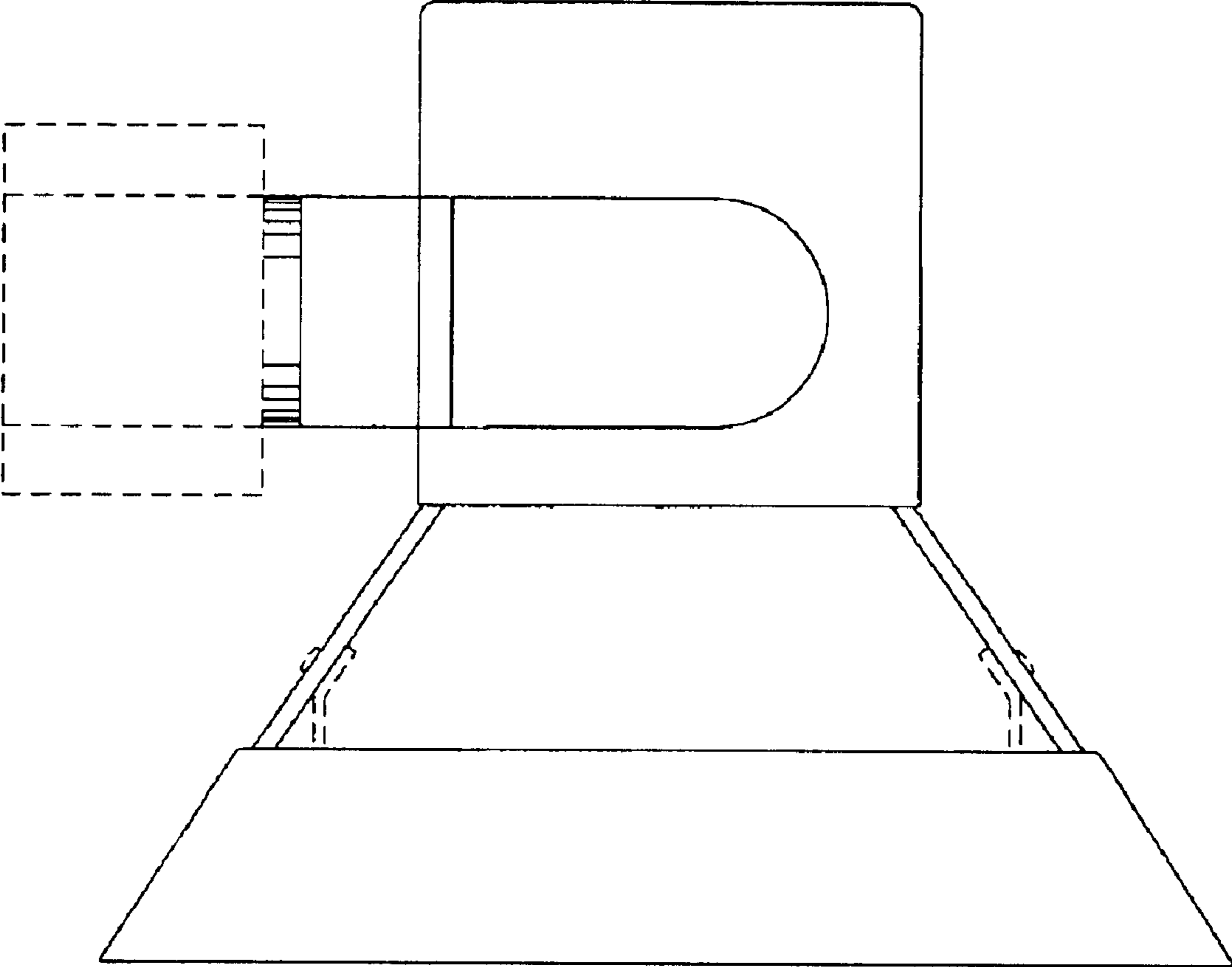


FIG. 2

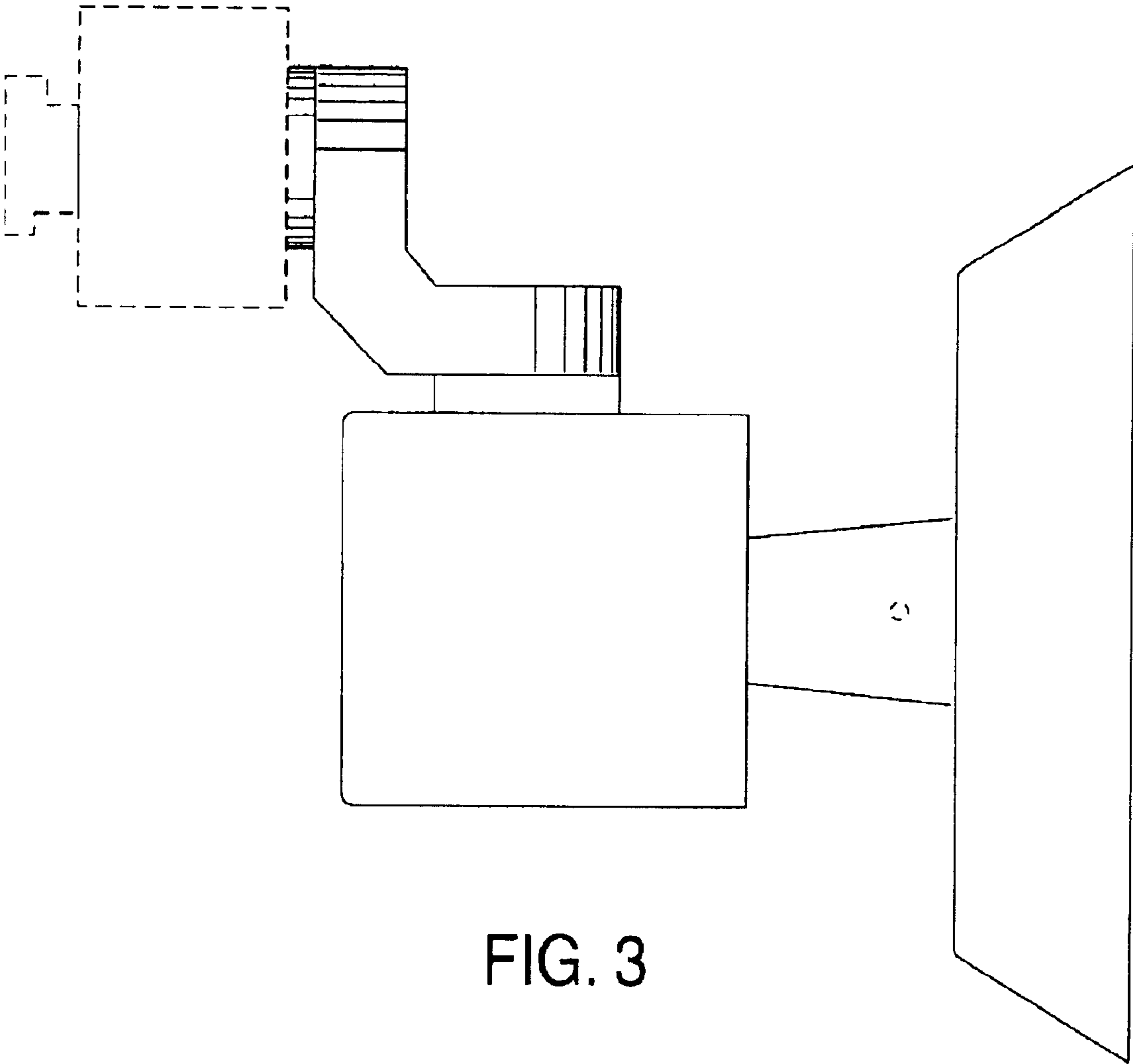


FIG. 3

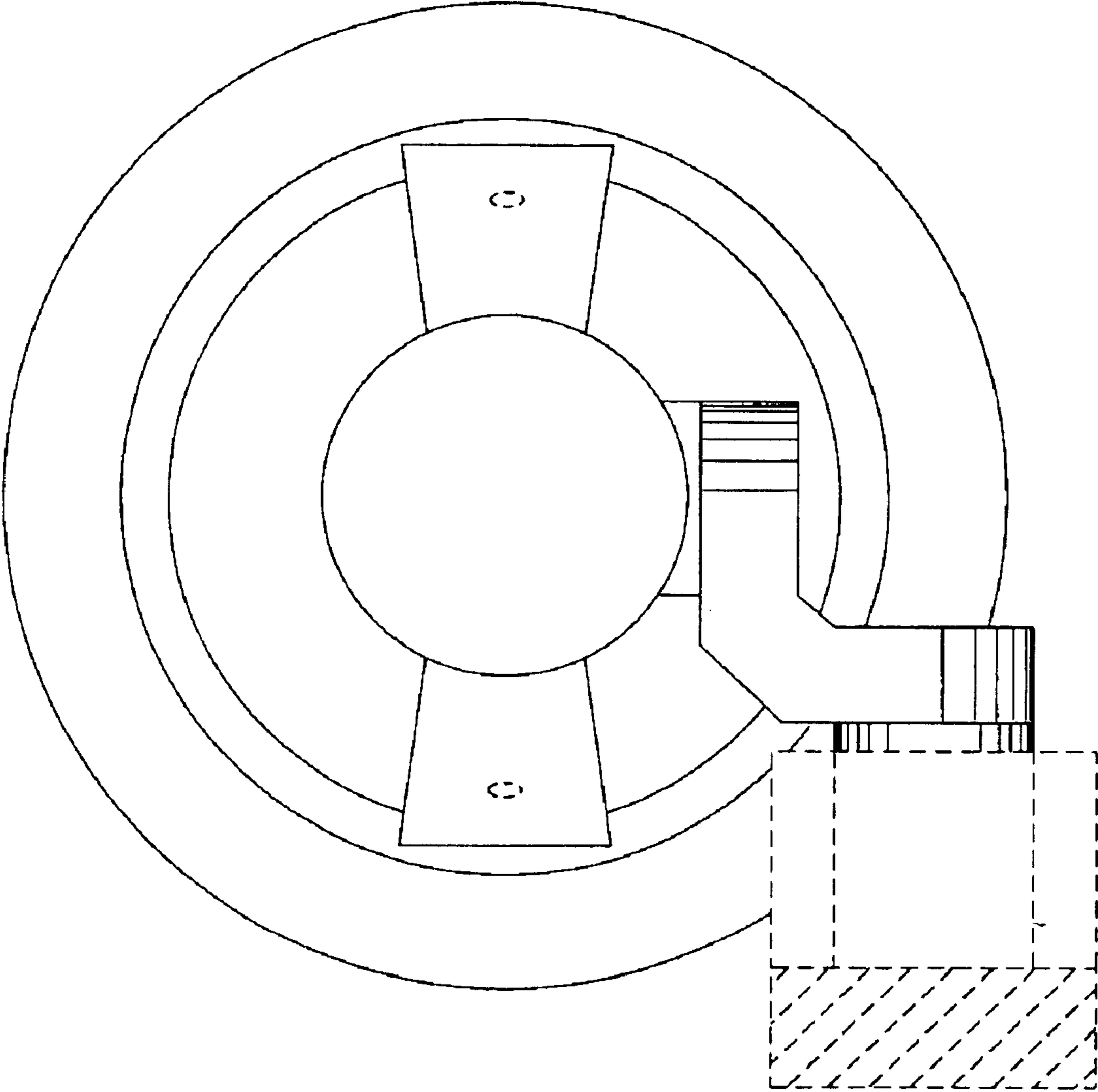


FIG. 4

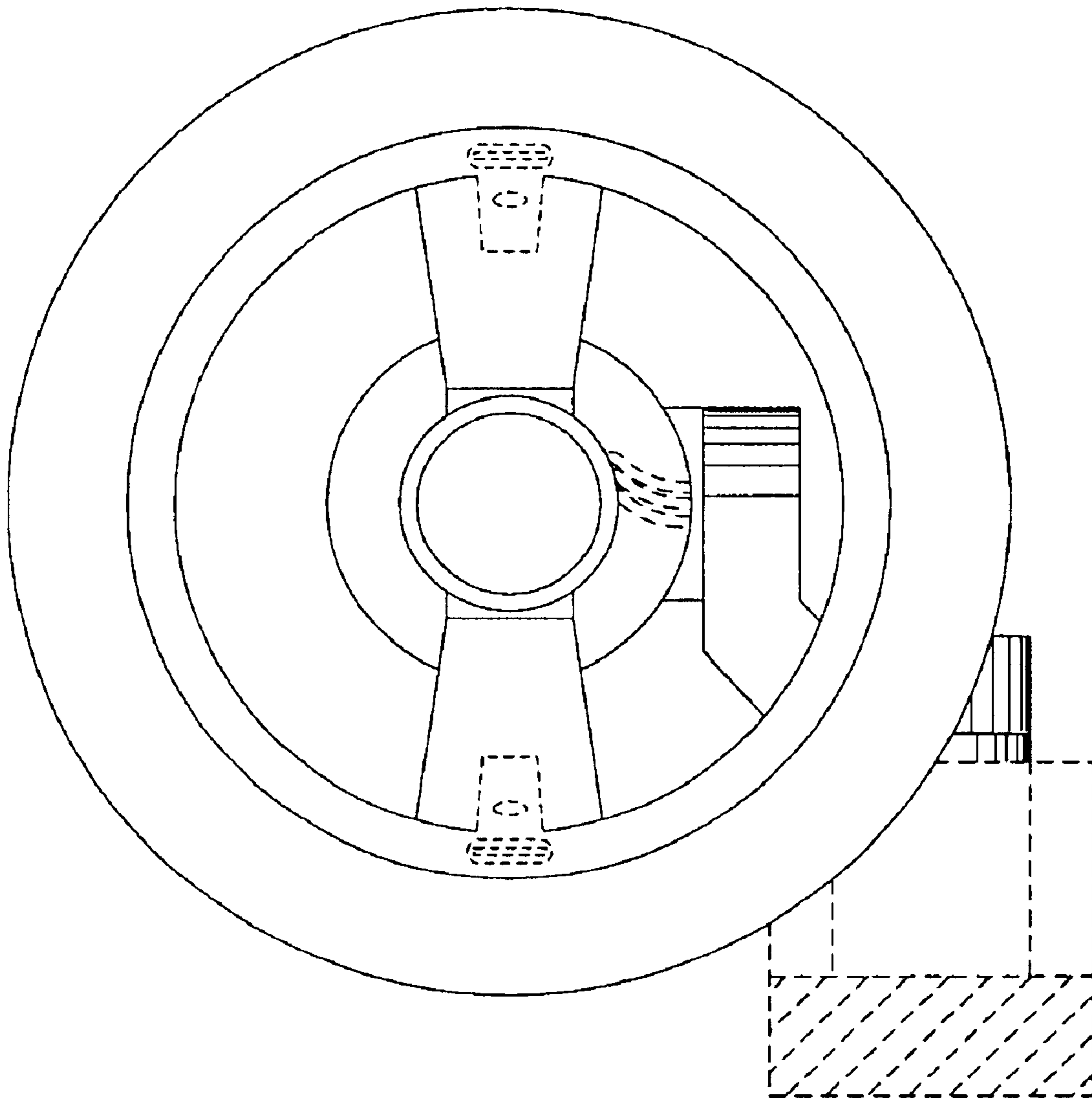


FIG. 5