

US00D494303S1

(12) **United States Design Patent**
Chandler

(10) **Patent No.:** **US D494,303 S**

(45) **Date of Patent:** **** Aug. 10, 2004**

(54) **HANGING FIXTURE**

(75) **Inventor:** **George B. Chandler**, Hubbardton, VT
(US)

(73) **Assignee:** **Hubbardton Forge**, Castleton, VT
(US)

(**) **Term:** **14 Years**

(21) **Appl. No.:** **29/192,178**

(22) **Filed:** **Oct. 20, 2003**

(51) **LOC (7) Cl.** **26-03**

(52) **U.S. Cl.** **D26/89**

(58) **Field of Search** D26/72, 80-84,
D26/141-143; 362/147, 404-408, 431,
432

(56) **References Cited**

U.S. PATENT DOCUMENTS

D119,796 S * 4/1940 Winkler et al. D26/88
D319,110 S * 8/1991 Tatosian D26/85

D389,598 S * 1/1998 Littman et al. D26/84
D441,119 S * 4/2001 Crosby D26/85
D445,941 S * 7/2001 Schaefer et al. D26/85

* cited by examiner

Primary Examiner—Clare E Heflin

(74) *Attorney, Agent, or Firm*—Burr & Brown

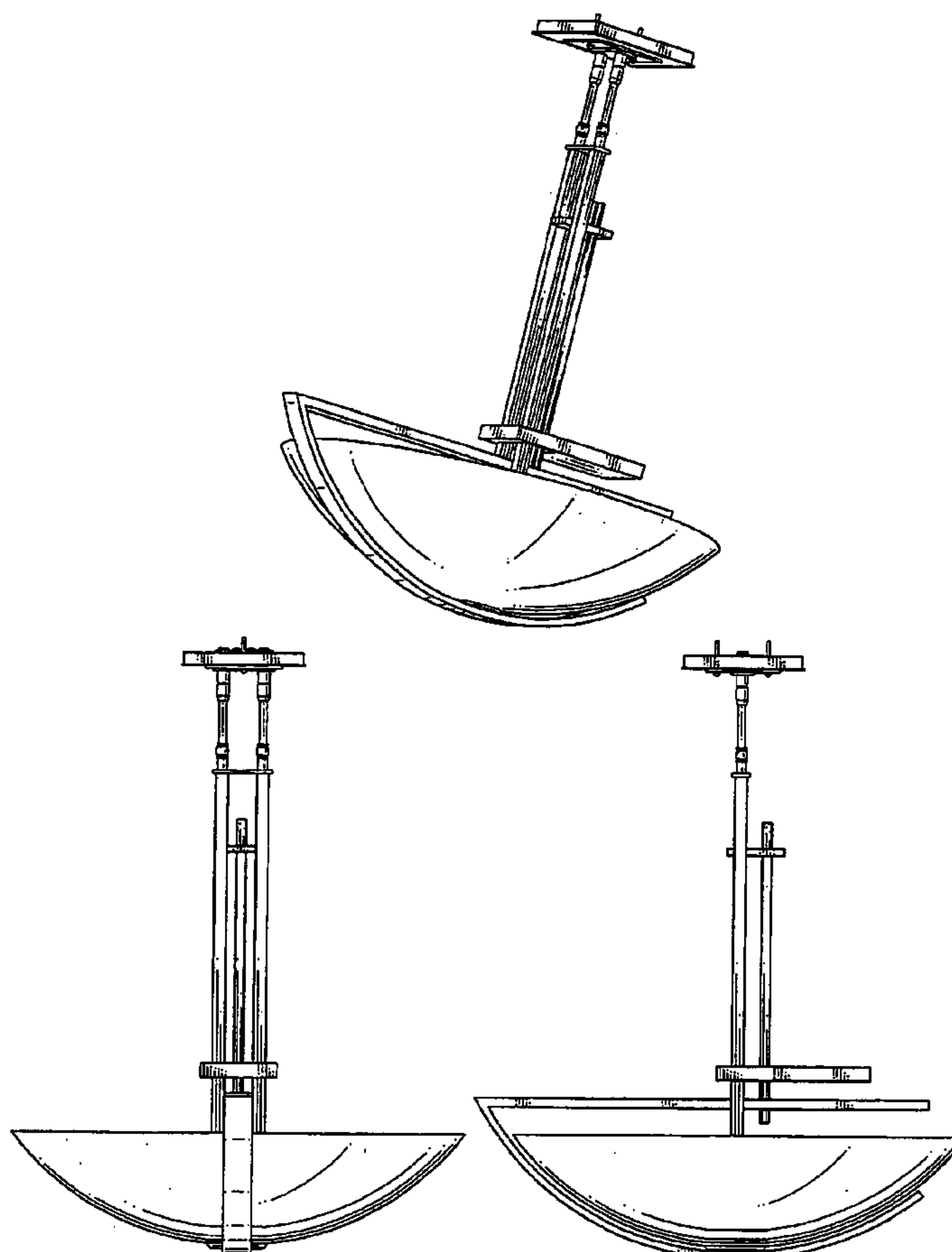
(57) **CLAIM**

The ornamental design for a hanging fixture, as shown and described.

DESCRIPTION

FIG. 1 is a perspective view of the hanging fixture in accordance with my new design; FIG. 2 is a right side view thereof; FIG. 3 is a back view thereof; FIG. 4 is a left side view thereof; FIG. 5 is a front view thereof; FIG. 6 is a top view thereof; and, FIG. 7 is a bottom view thereof.

1 Claim, 2 Drawing Sheets



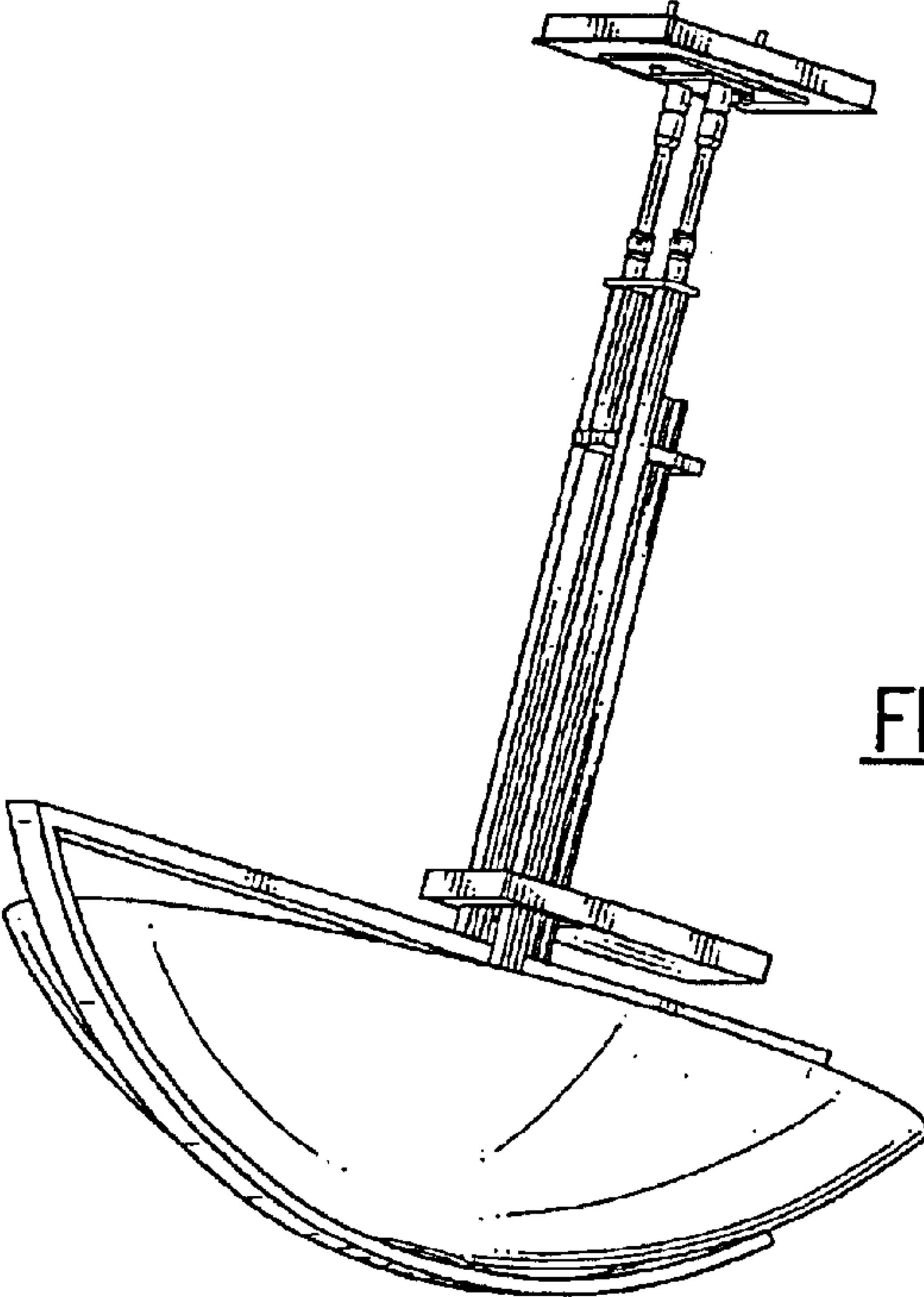


FIG. 1

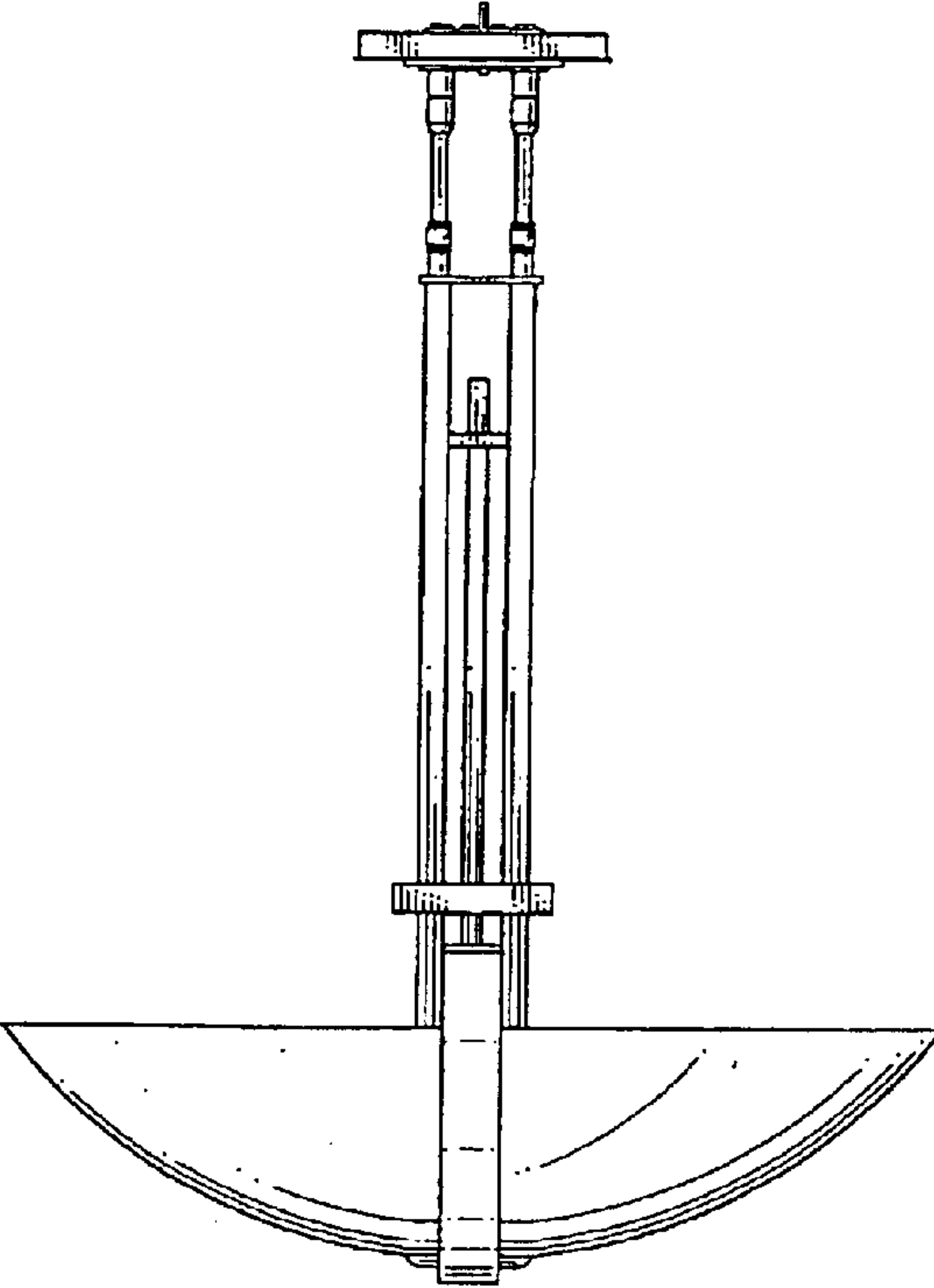


FIG. 2

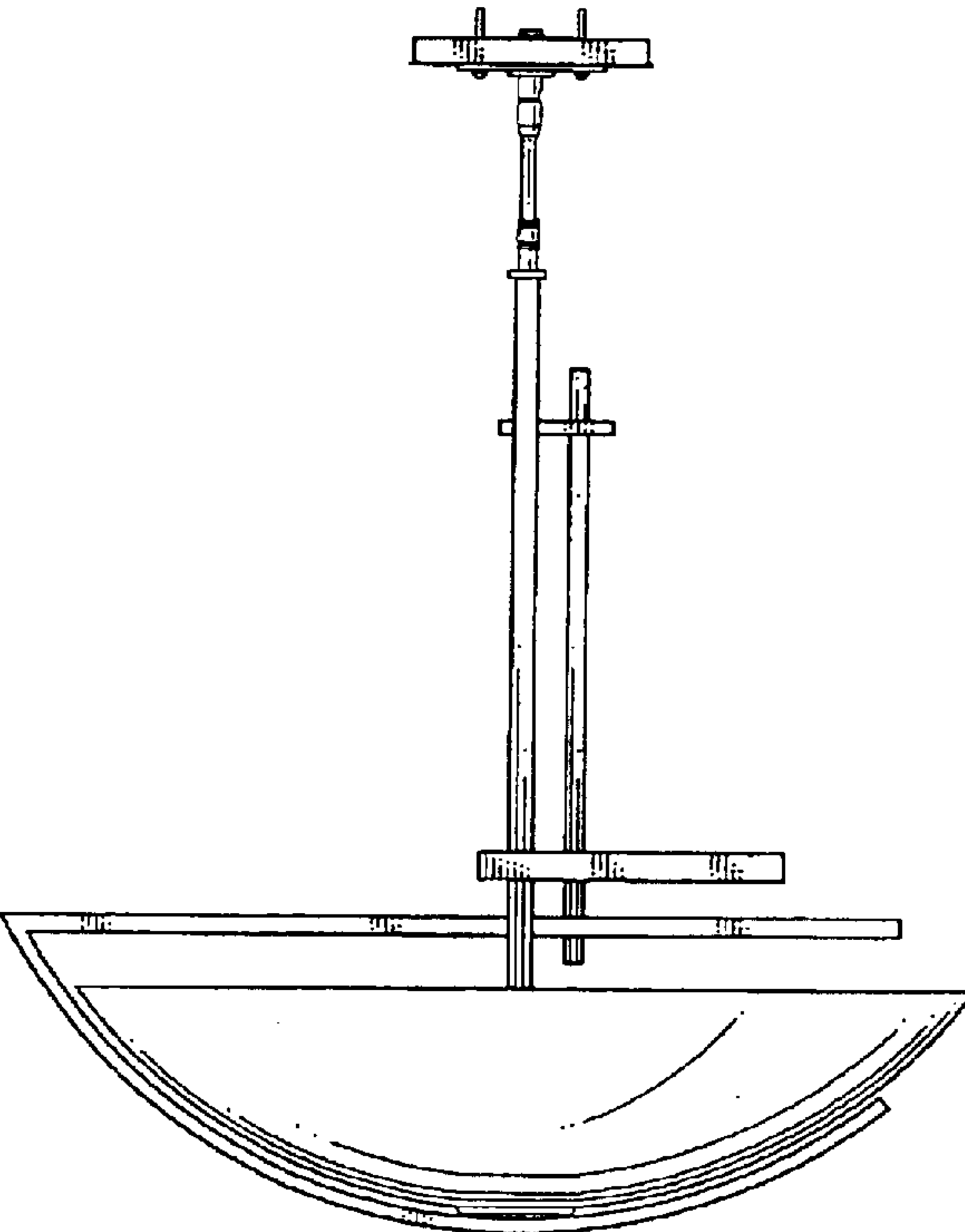


FIG. 3

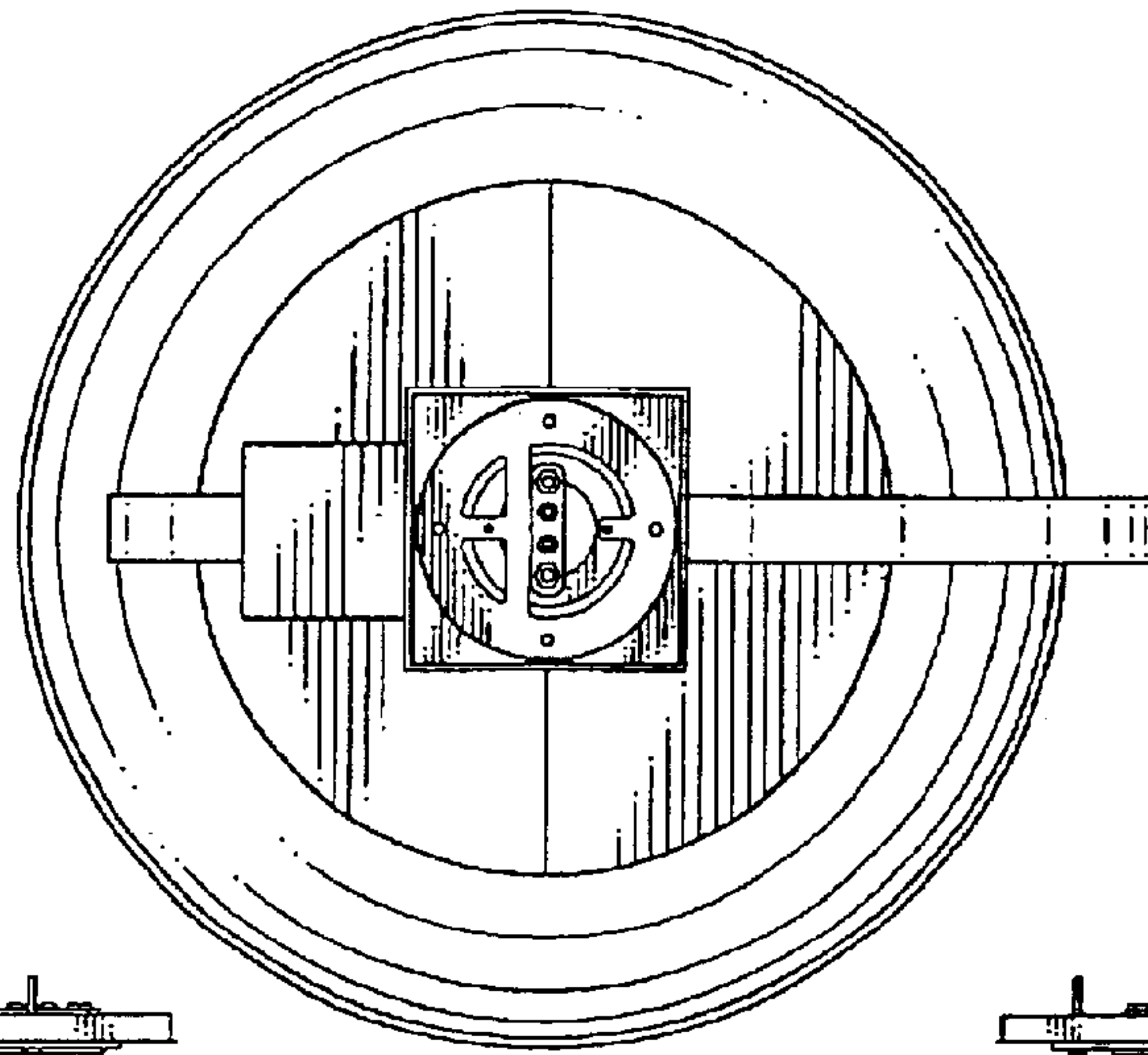


FIG. 6

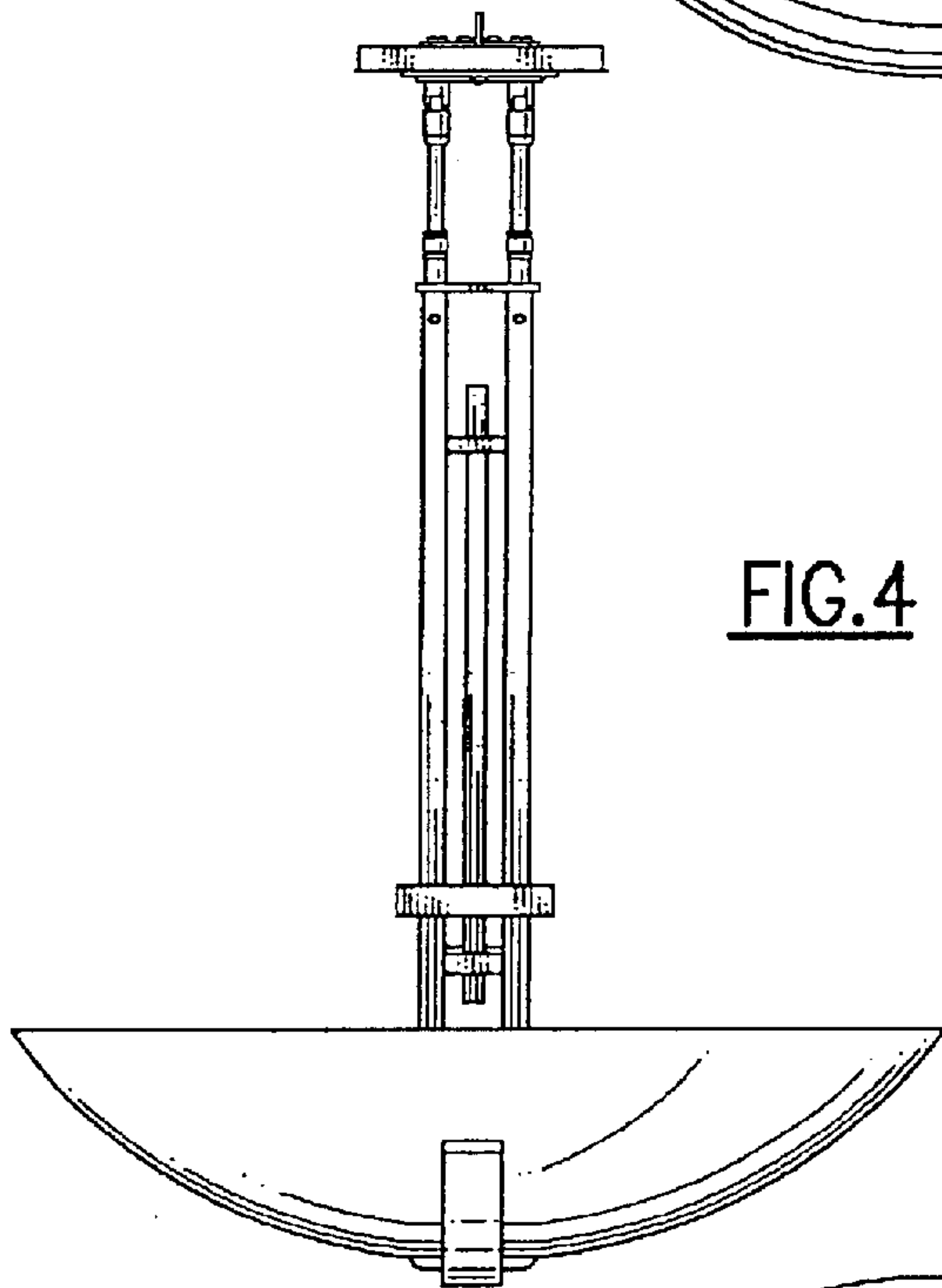


FIG. 4

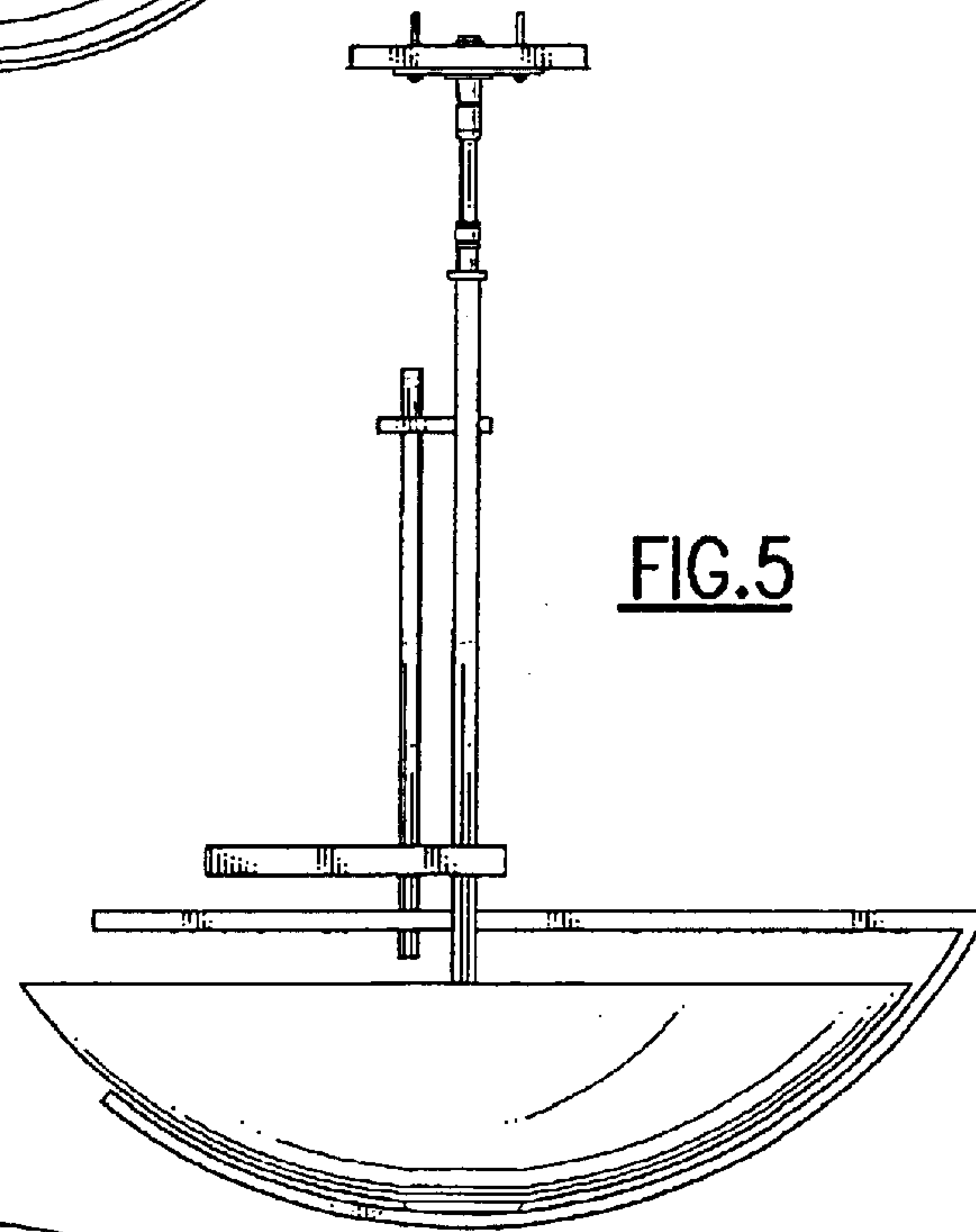


FIG. 5

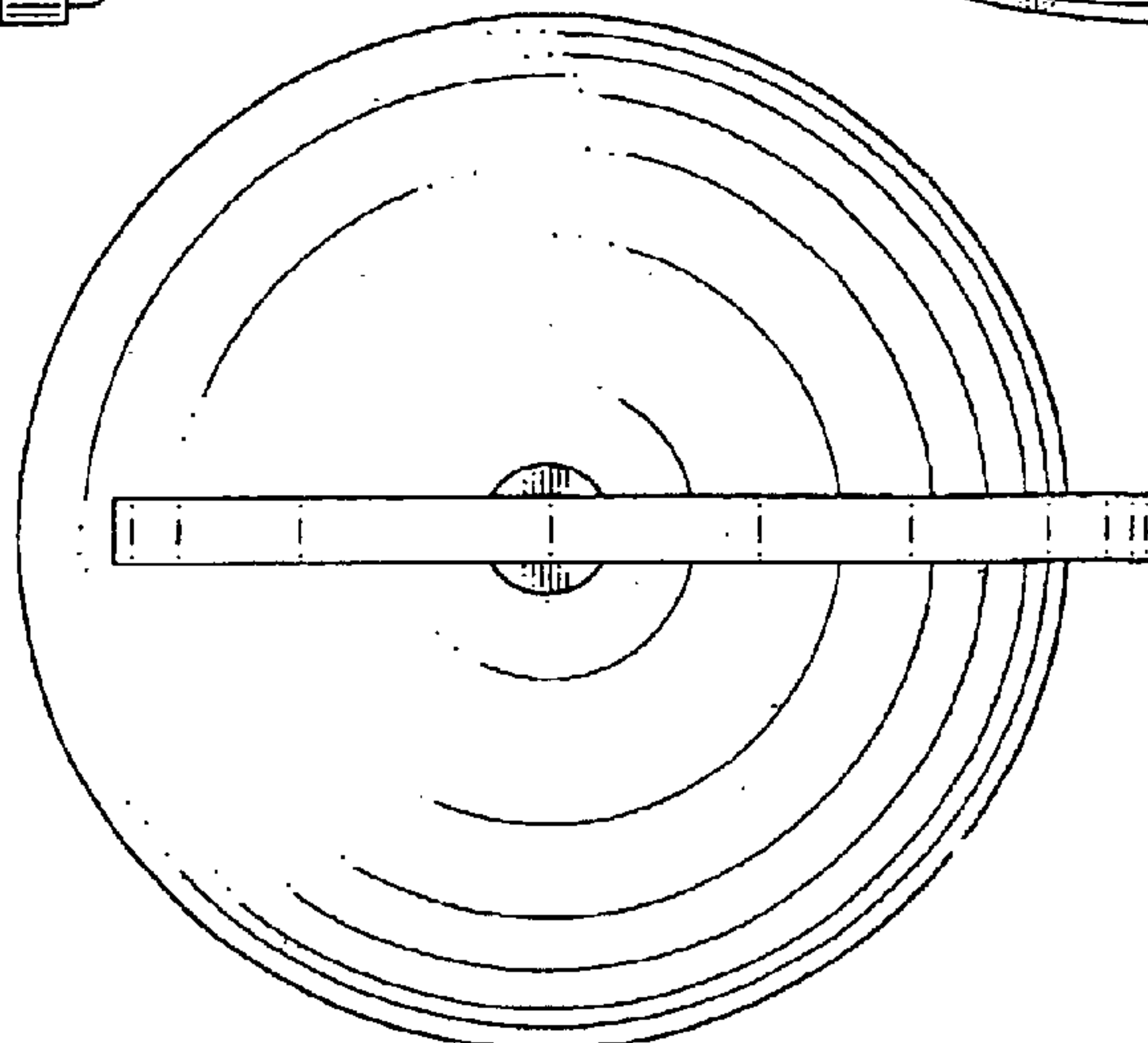


FIG. 7