

US00D494302S1

(12) **United States Design Patent**
Huang

(10) **Patent No.:** **US D494,302 S**

(45) **Date of Patent:** **** Aug. 10, 2004**

(54) **LAMP SHADE**

(75) **Inventor:** **Huo-Tu Huang**, Taipei Hsien (TW)

(73) **Assignee:** **Huangslite Industrial Co, Ltd.**, Taipei Hsien (TW)

(**) **Term:** **14 Years**

(21) **Appl. No.:** **29/191,135**

(22) **Filed:** **Oct. 3, 2003**

(51) **LOC (7) Cl.** **26-03**

(52) **U.S. Cl.** **D26/87**

(58) **Field of Search** D26/72, 80-92;
362/267, 269, 281, 404-408, 147, 431,
432

(56) **References Cited**

U.S. PATENT DOCUMENTS

D199,327 S * 10/1964 Guth, Jr. D26/72
D233,167 S * 10/1974 Gore et al. D26/71

D363,566 S * 10/1995 Osteen D26/67
6,059,427 A * 5/2000 Wedell et al. 362/267
6,152,583 A * 11/2000 Langner 362/427
D444,900 S * 7/2001 Stanway et al. D26/72

* cited by examiner

Primary Examiner—Clare E Heflin

(74) *Attorney, Agent, or Firm*—Bacon & Thomas, PLLC

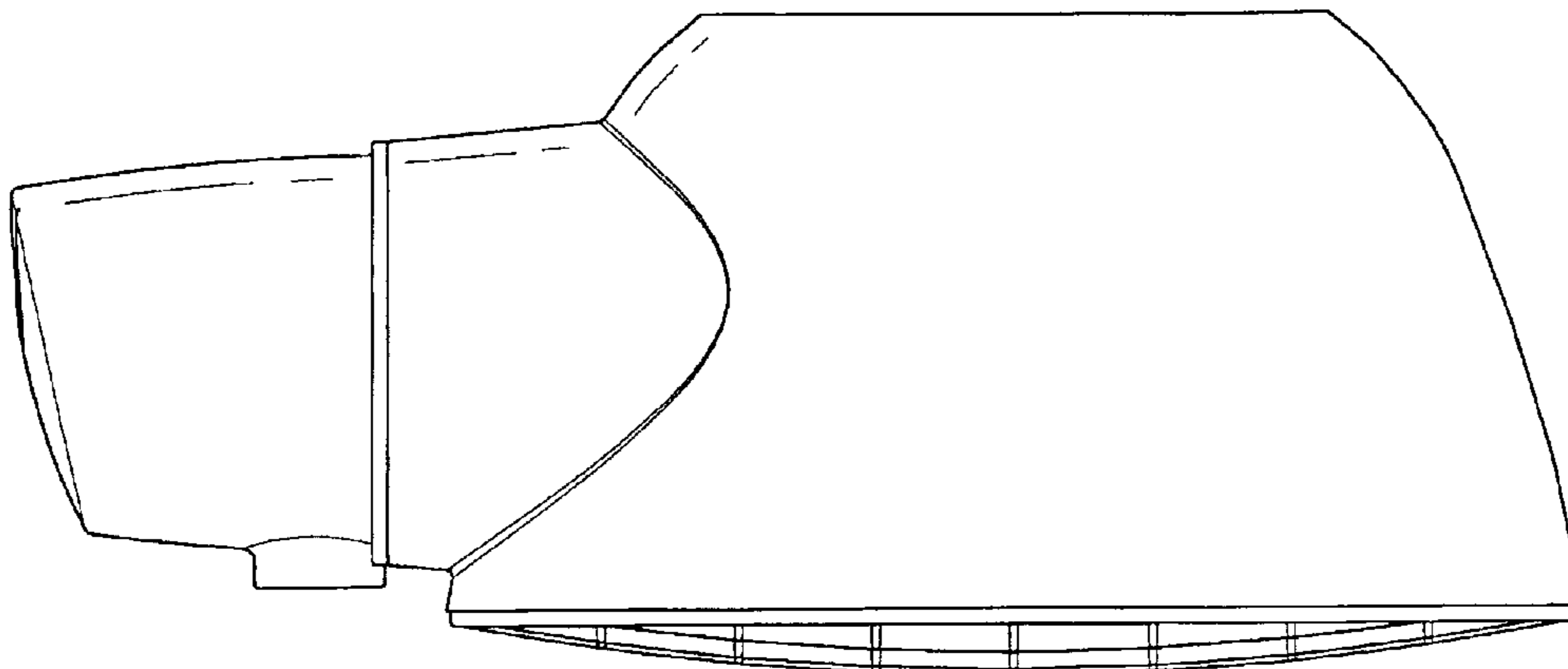
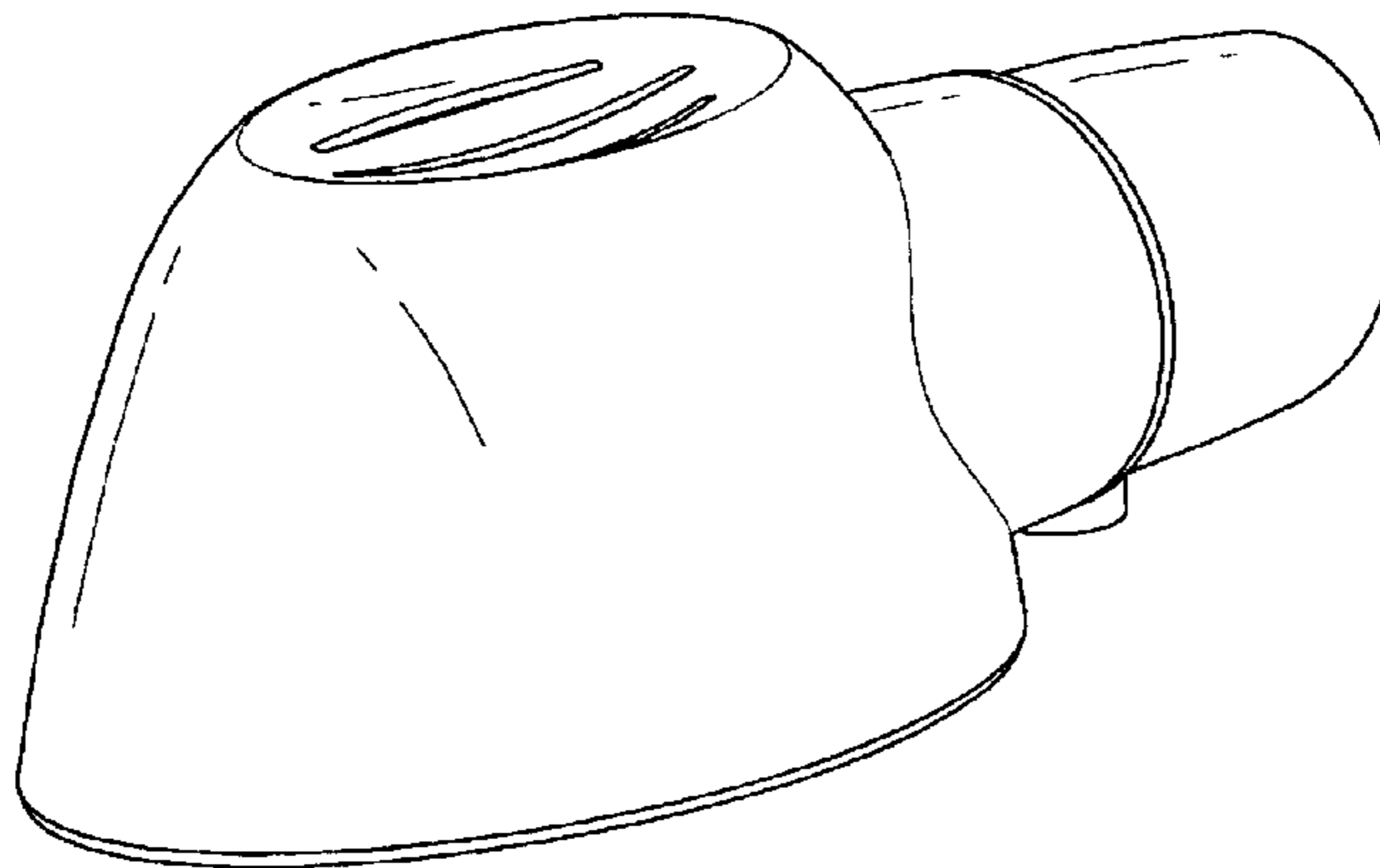
(57) **CLAIM**

The ornamental design for the lamp shade, as shown and described.

DESCRIPTION

FIG. 1 is a top, front right side perspective view thereof;
FIG. 2 is a front elevational view thereof;
FIG. 3 is a rear elevational view thereof;
FIG. 4 is a left side elevational view thereof;
FIG. 5 is a right side elevational view thereof;
FIG. 6 is a top plan view thereof; and,
FIG. 7 is a bottom plan view thereof.

1 Claim, 7 Drawing Sheets



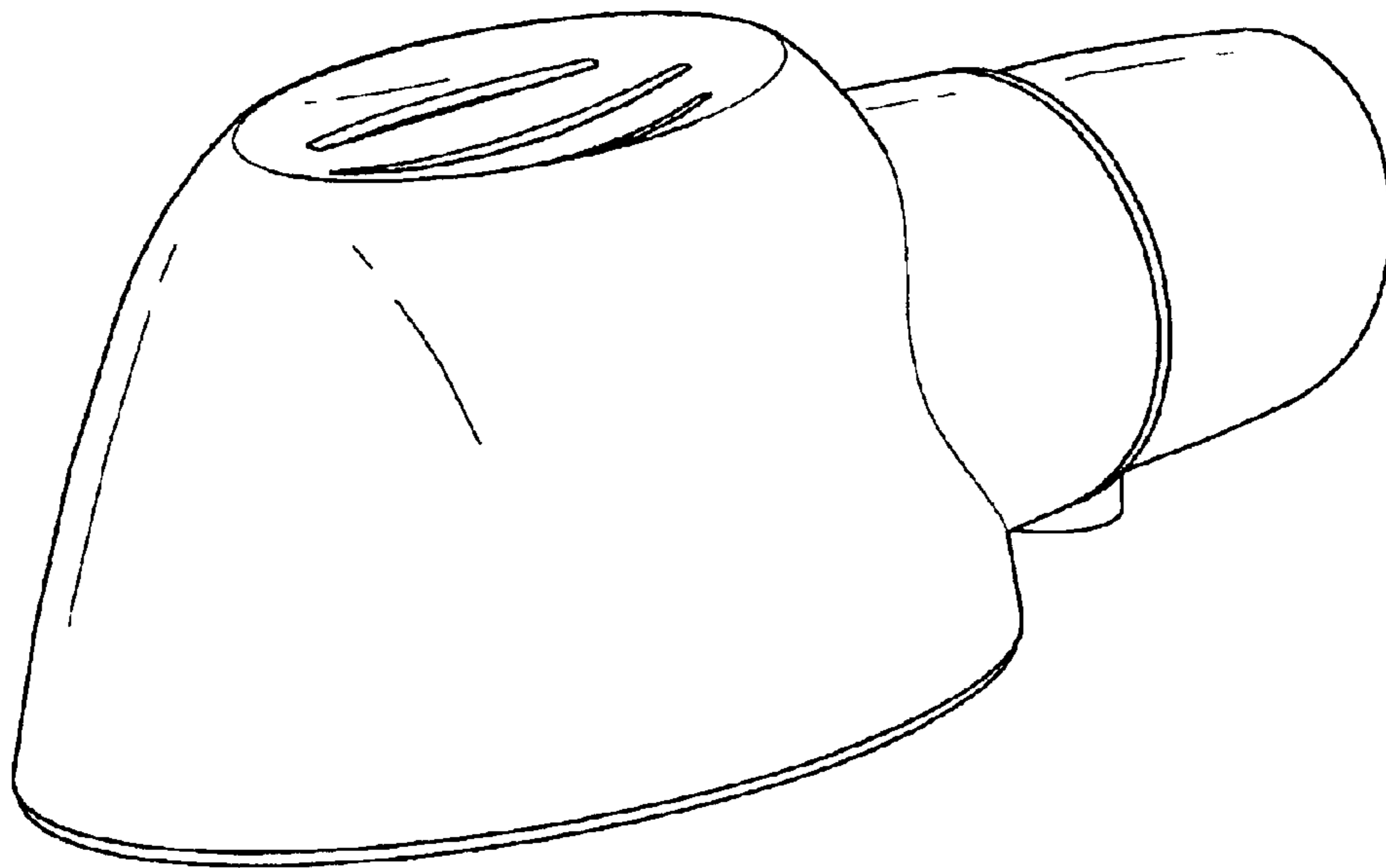


FIG. 1

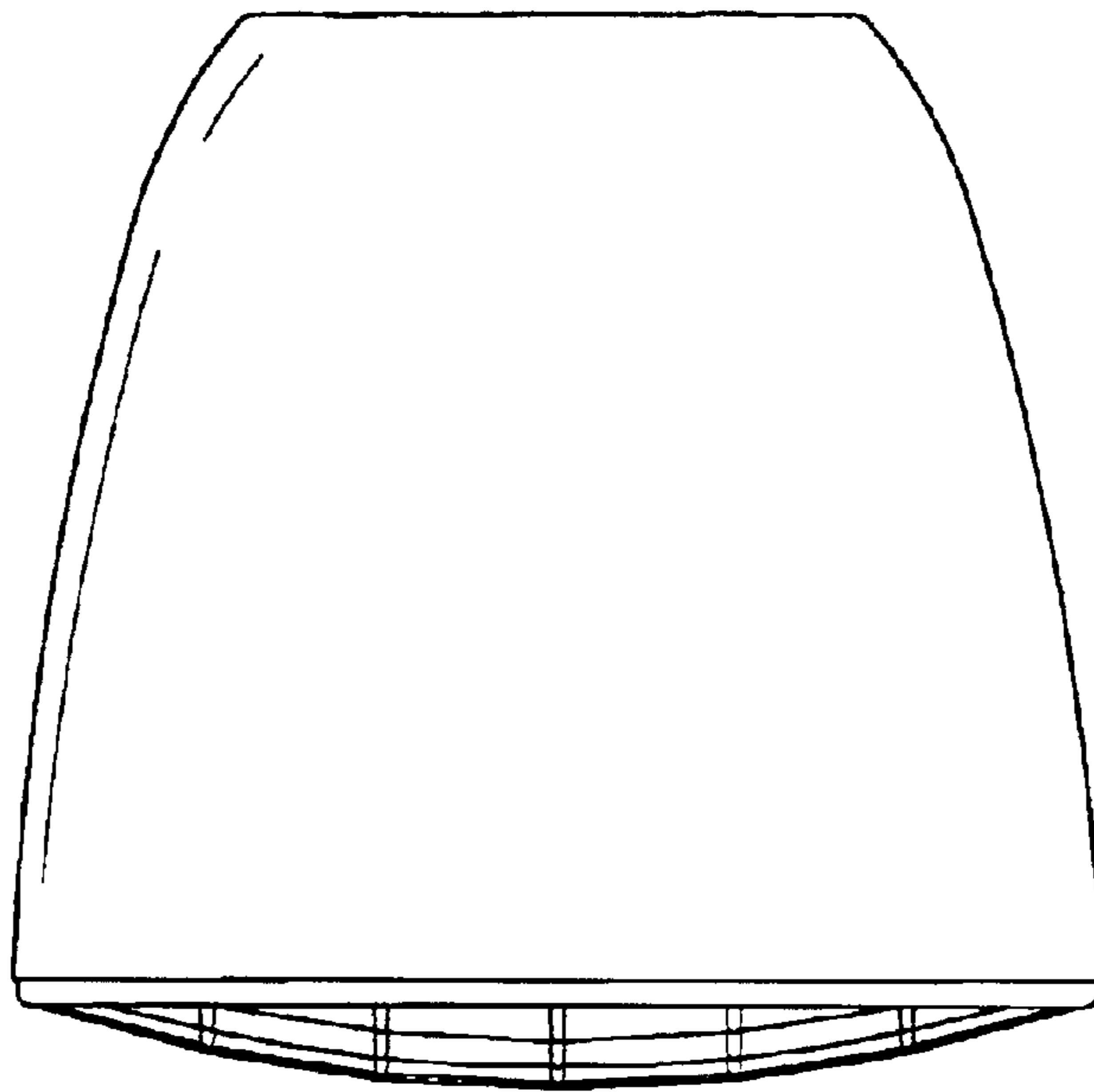


FIG. 2

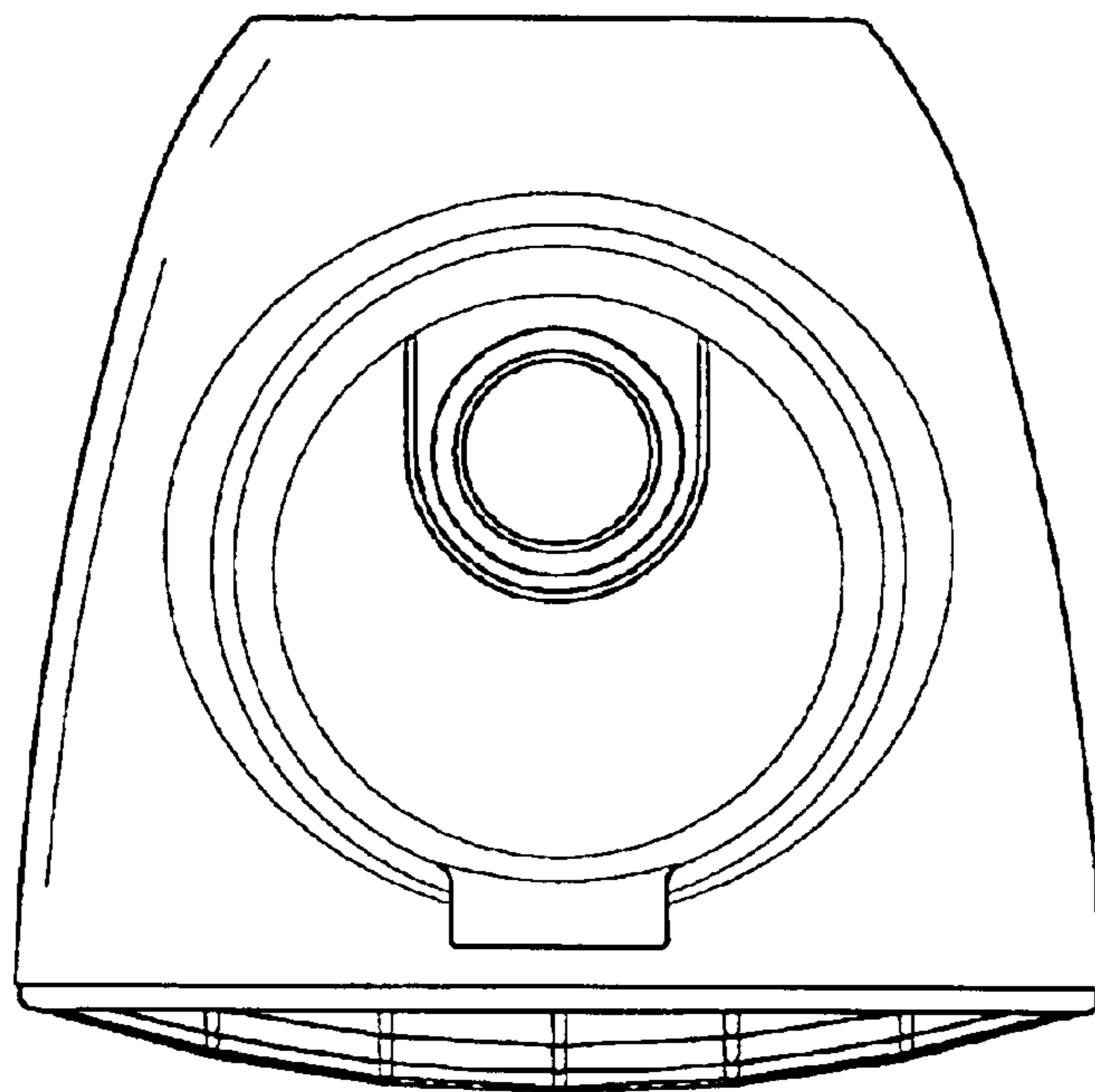


FIG. 3

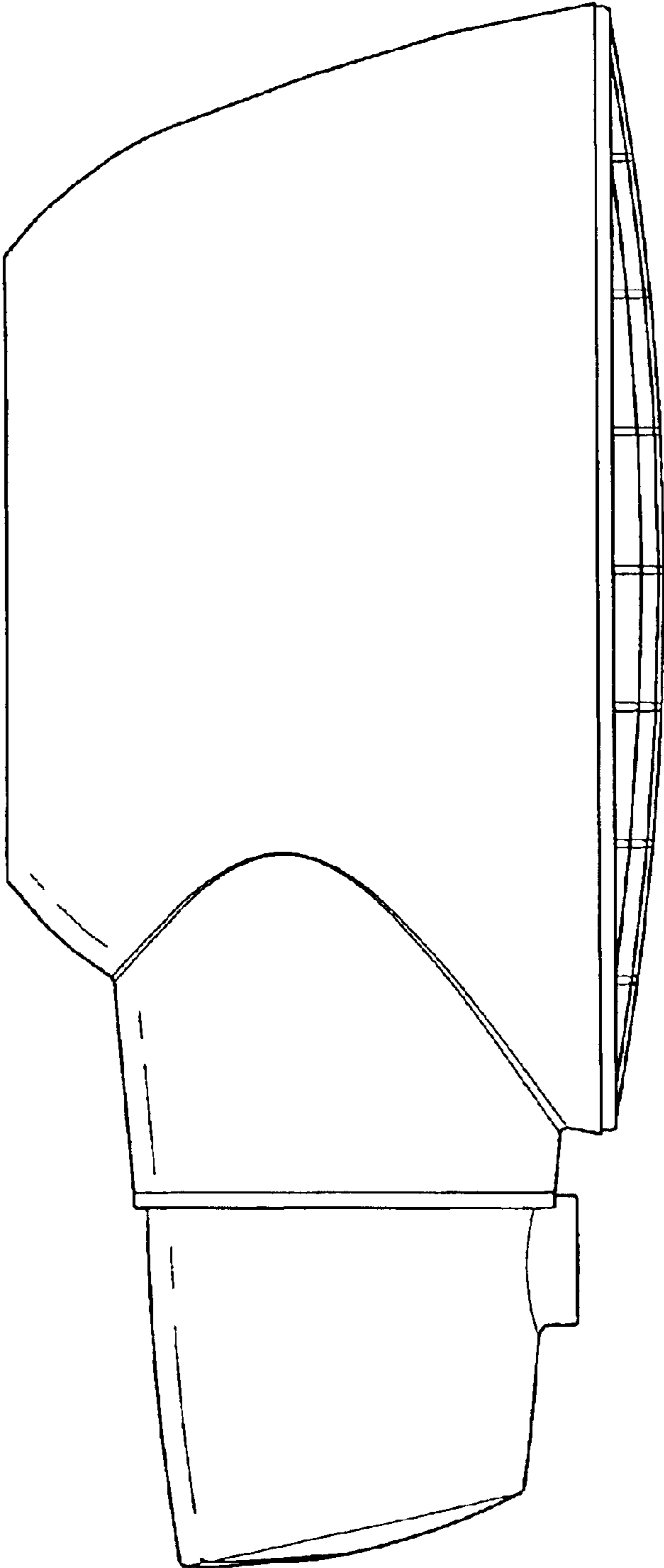


FIG. 4

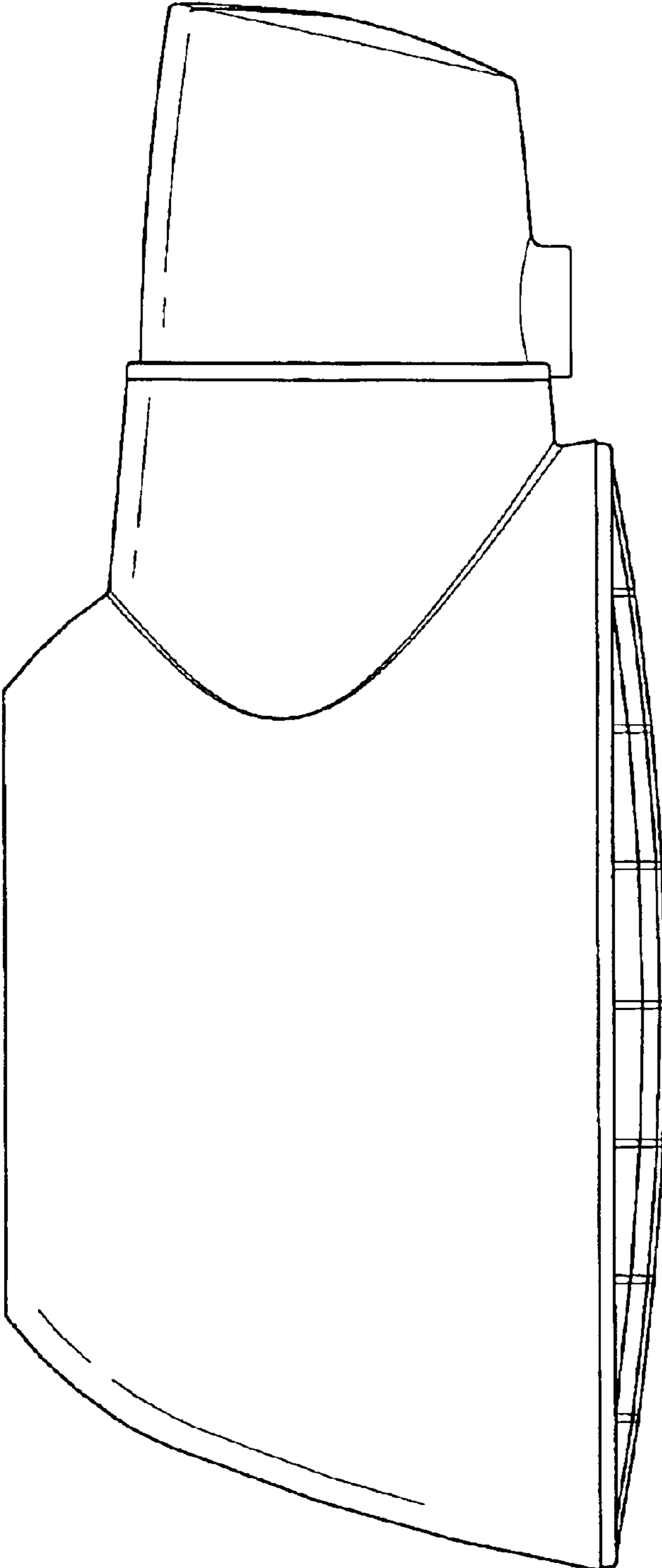


FIG. 5

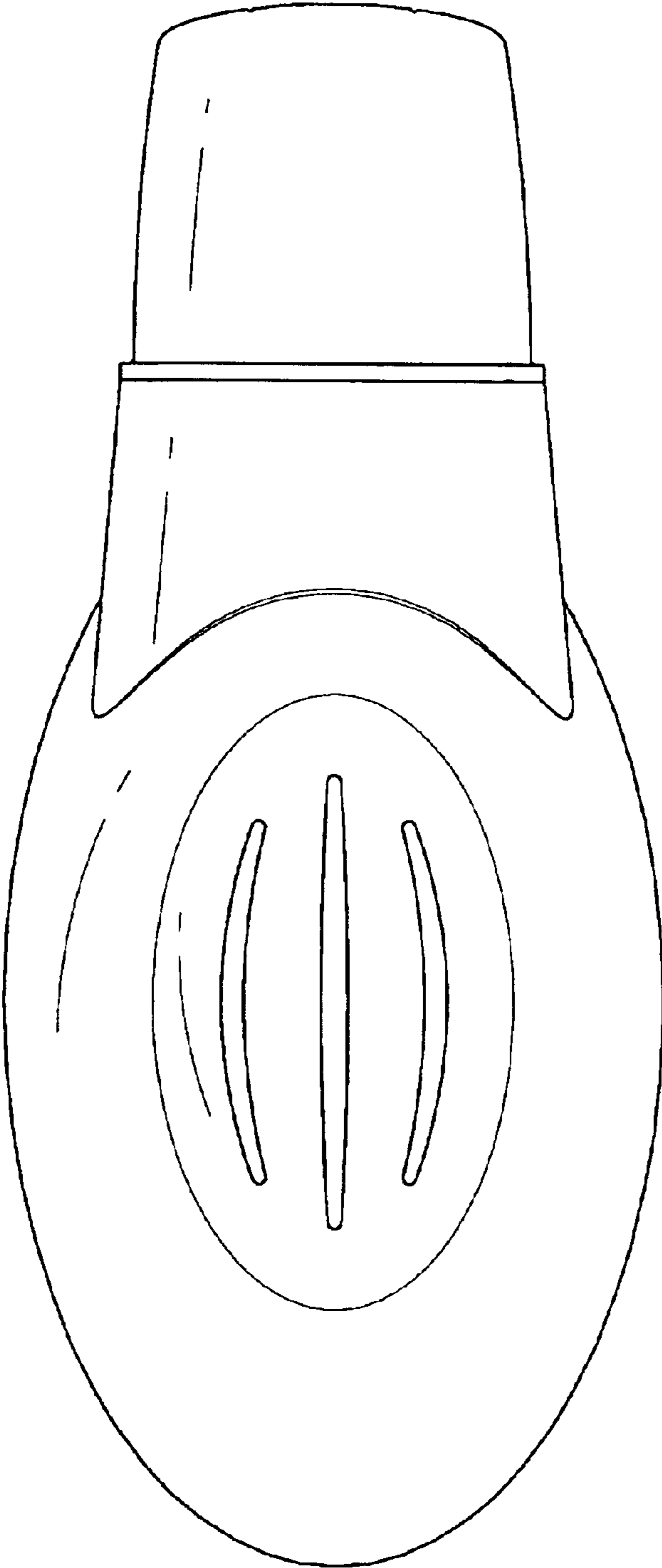


FIG. 6

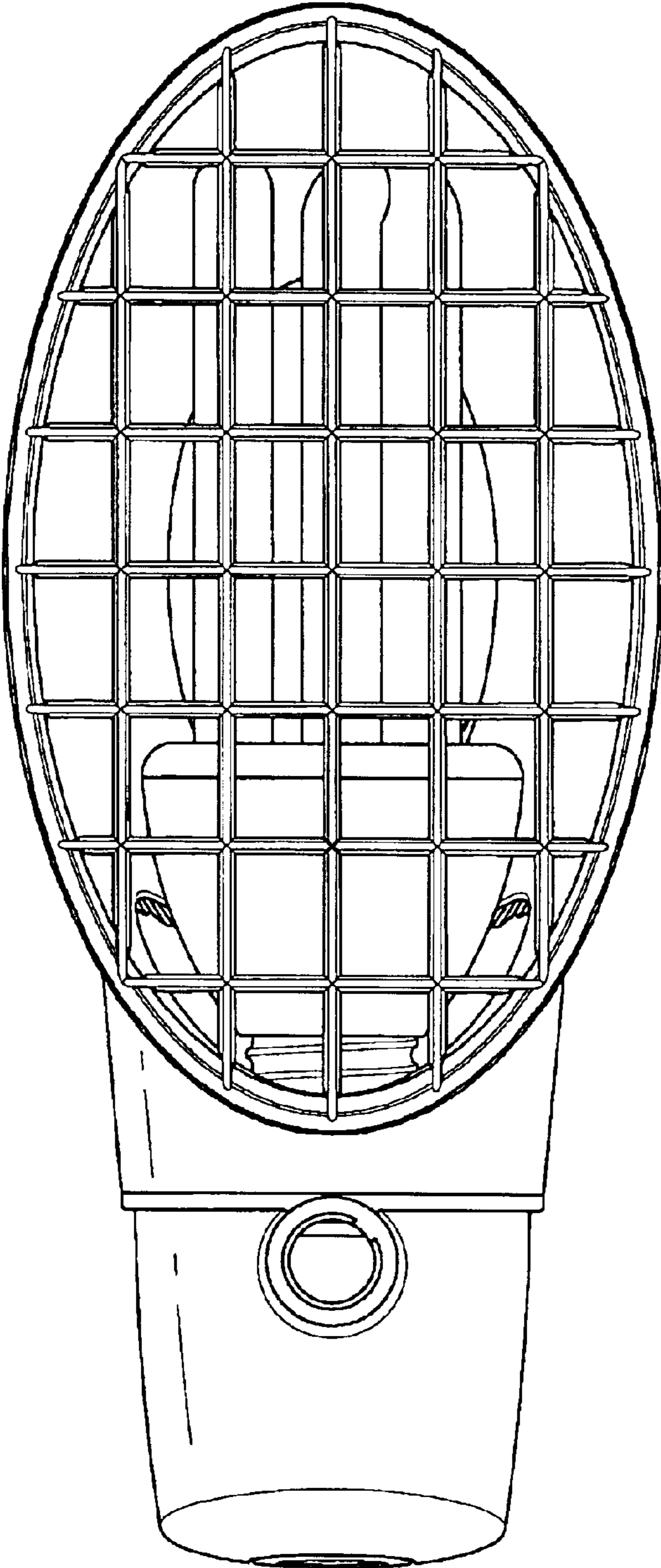


FIG. 7