

US00D494300S1

(12) **United States Design Patent**
Wright et al.

(10) **Patent No.:** **US D494,300 S**

(45) **Date of Patent:** **** Aug. 10, 2004**

(54) **FLASHLIGHT**

(75) Inventors: **Kelly Merl Wright**, Highland Village, TX (US); **Keith Vincent Skidmore**, Newton, KS (US); **James Michael Cormier**, Wichita, KS (US)

(73) Assignee: **The Coleman Company, Inc.**, Wichita, KS (US)

(**) Term: **14 Years**

(21) Appl. No.: **29/194,651**

(22) Filed: **Nov. 26, 2003**

(51) **LOC (7) Cl.** **26-02**

(52) **U.S. Cl.** **D26/49**

(58) **Field of Search** D26/37-50; 362/157, 362/158, 171-174, 183-208

(56) **References Cited**

U.S. PATENT DOCUMENTS

- D351,477 S * 10/1994 Bambar D26/49
- D411,023 S 6/1999 Yau
- D420,157 S 2/2000 Garrity et al.

- D447,259 S * 8/2001 Lynch et al. D26/49
- D452,338 S * 12/2001 Dalebout et al. D26/49
- D457,976 S * 5/2002 Kung D26/49

* cited by examiner

Primary Examiner—Marcus A. Jackson

(57) **CLAIM**

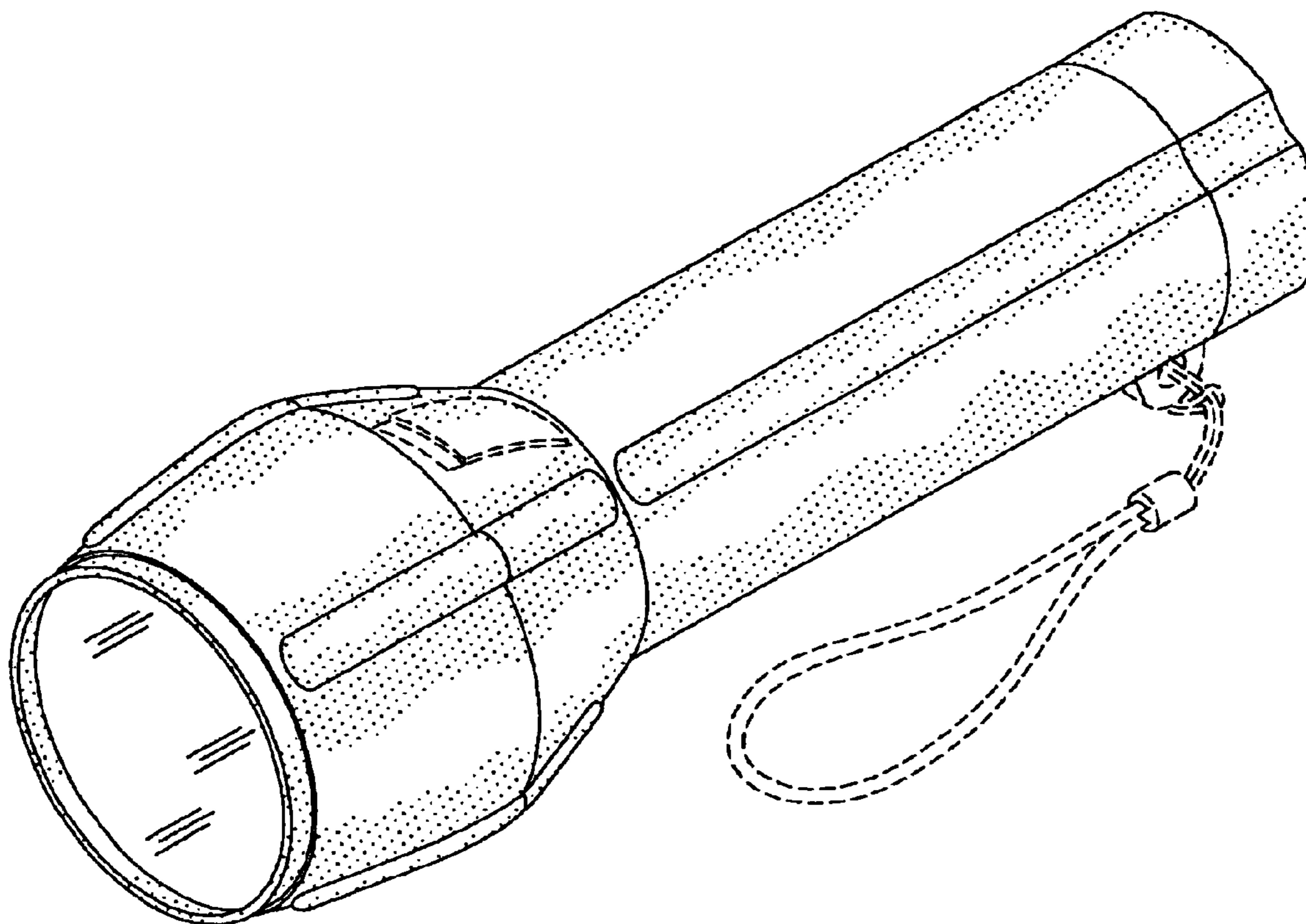
The ornamental design for a flashlight, as shown and described.

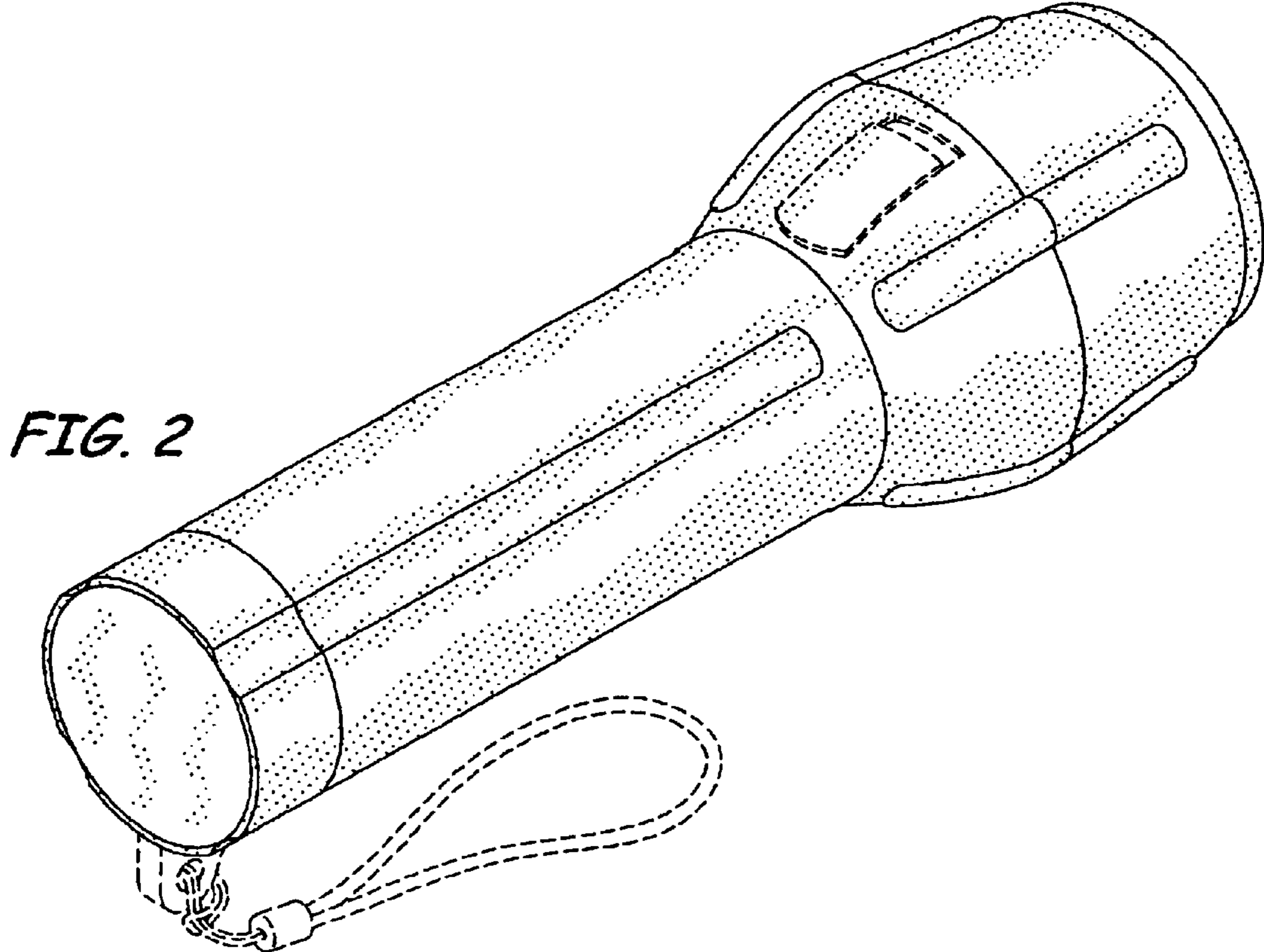
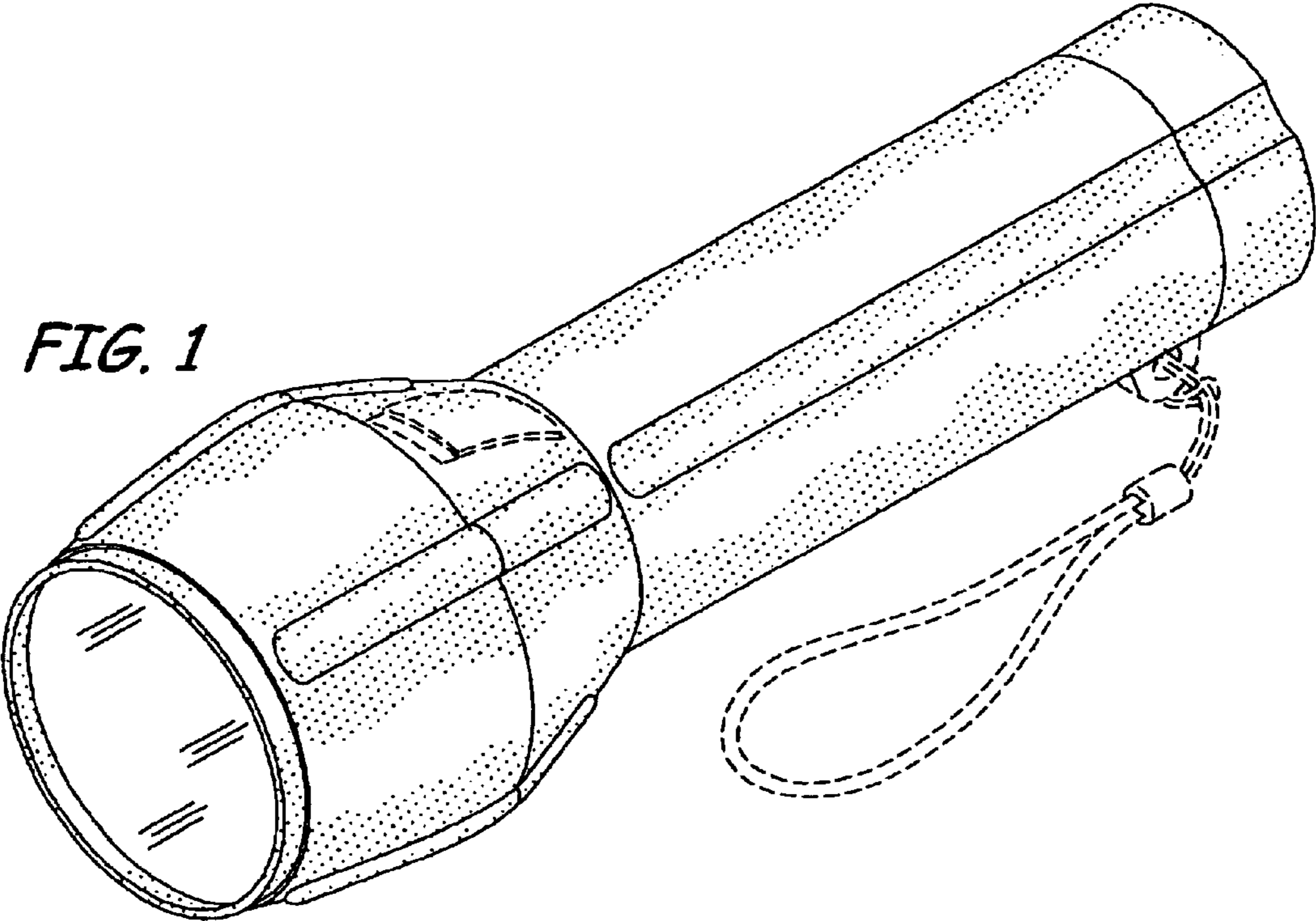
DESCRIPTION

FIG. 1 is a top, front perspective view of the flashlight of the present invention;
 FIG. 2 is a top rear perspective view thereof;
 FIG. 3 is a top plan view thereof;
 FIG. 4 is a bottom view thereof;
 FIG. 5 is a side elevational view thereof;
 FIG. 6 is a side elevational view thereof, showing the opposite side of FIG. 5;
 FIG. 7 is a front elevational view thereof; and,
 FIG. 8 is a rear elevational view thereof.

The broken line showing is for illustrative purposes only and forms no part of the claimed design.

1 Claim, 4 Drawing Sheets





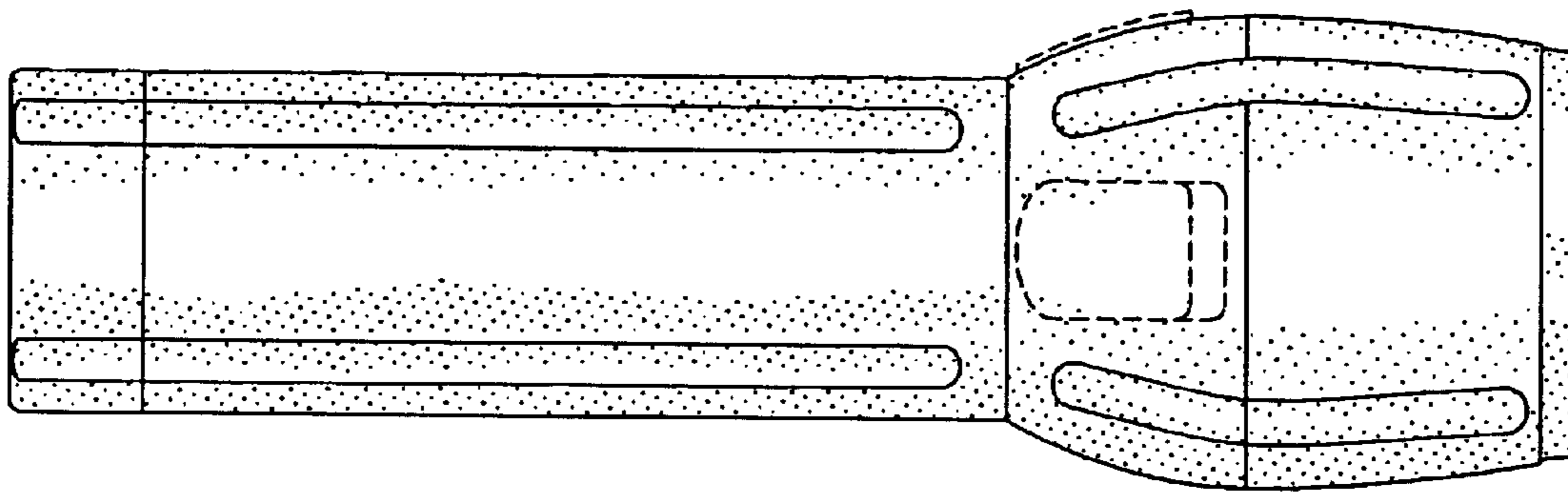


FIG. 3

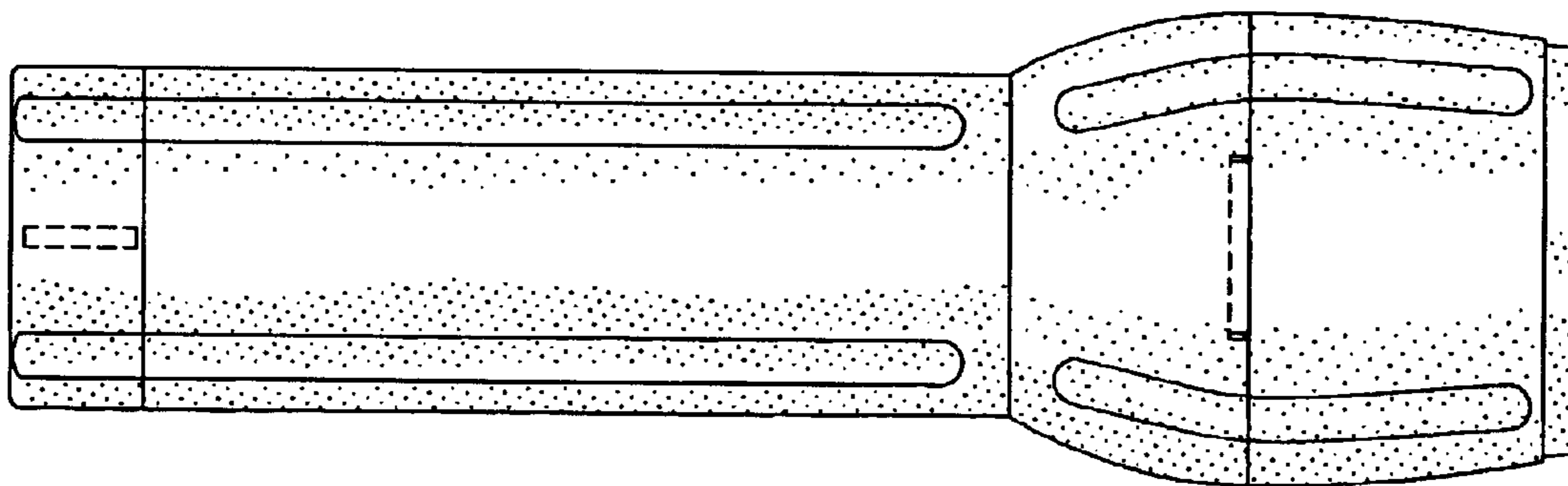


FIG. 4

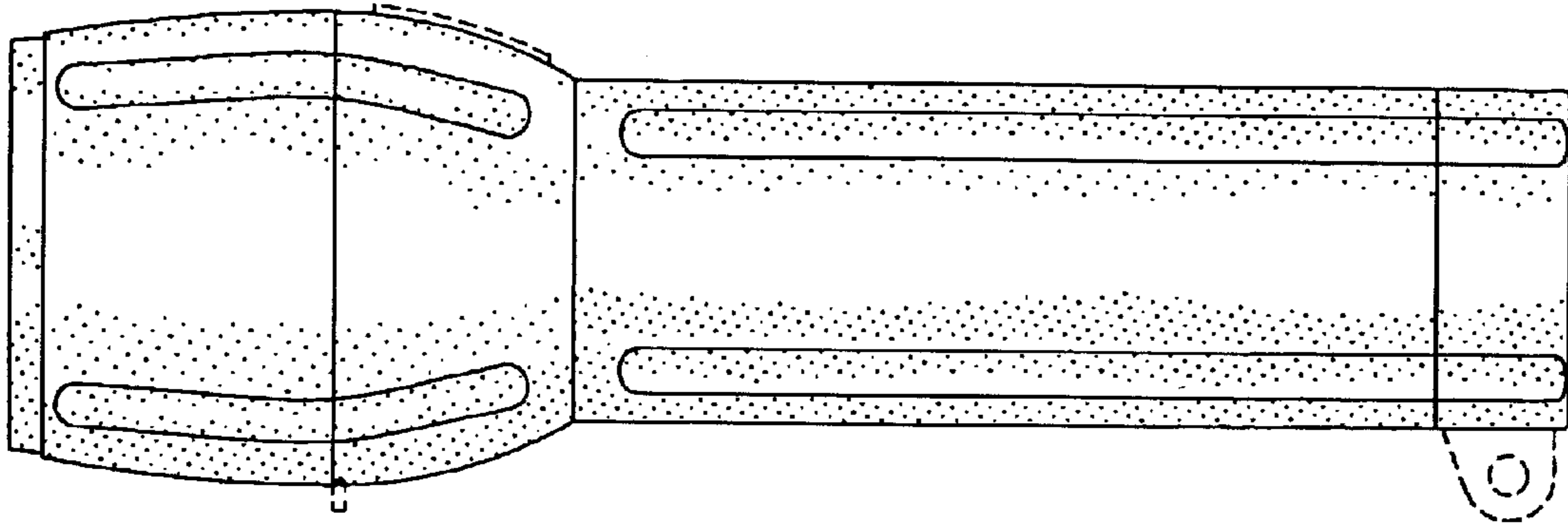


FIG. 5

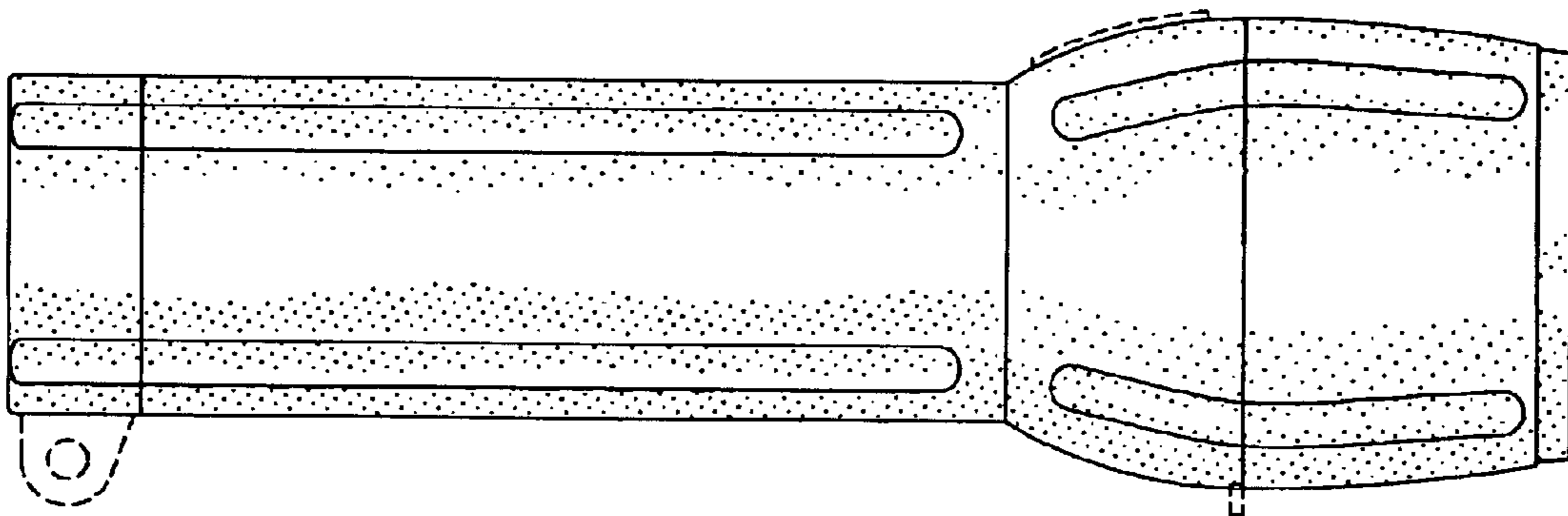


FIG. 6

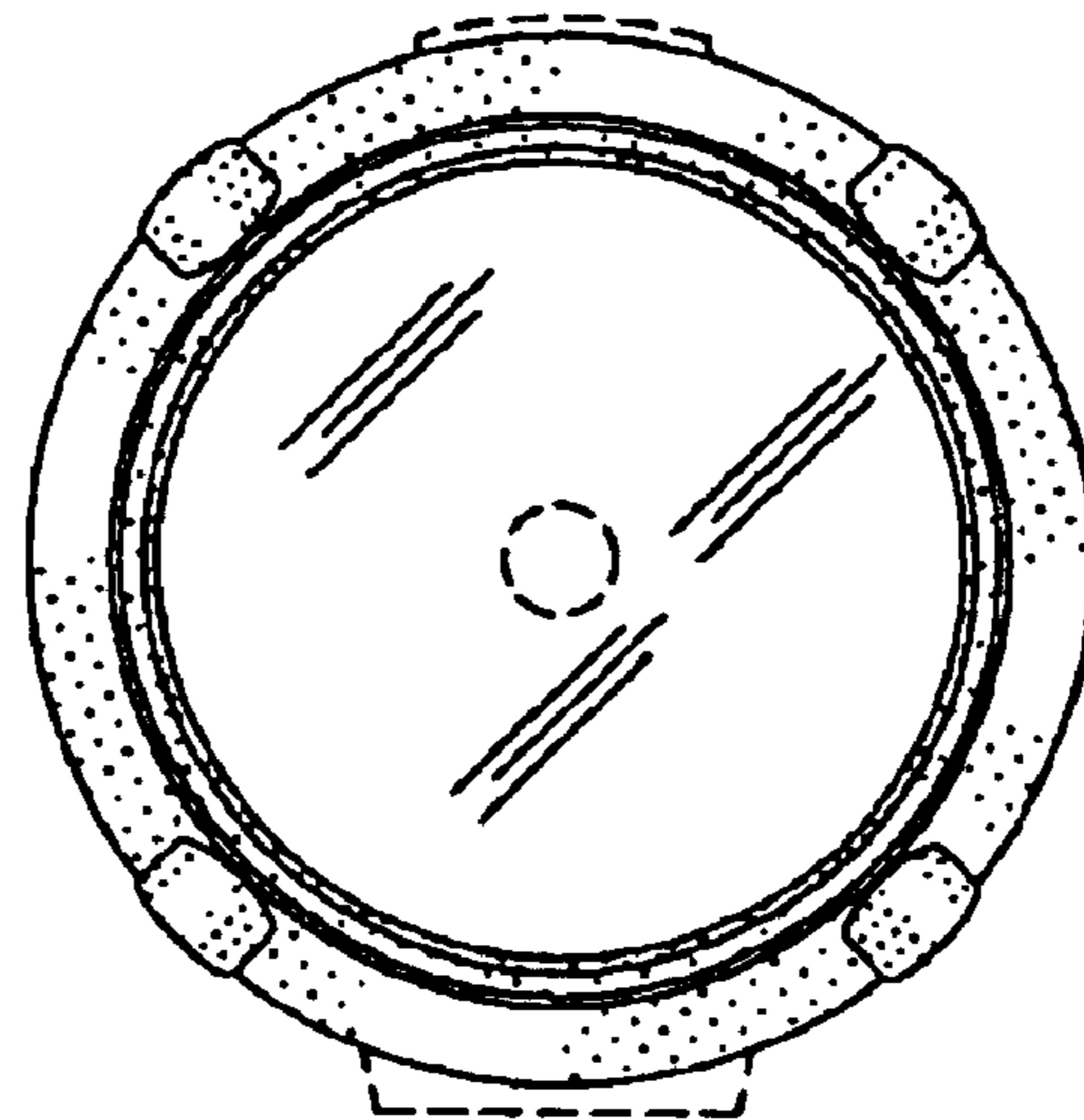


FIG. 7

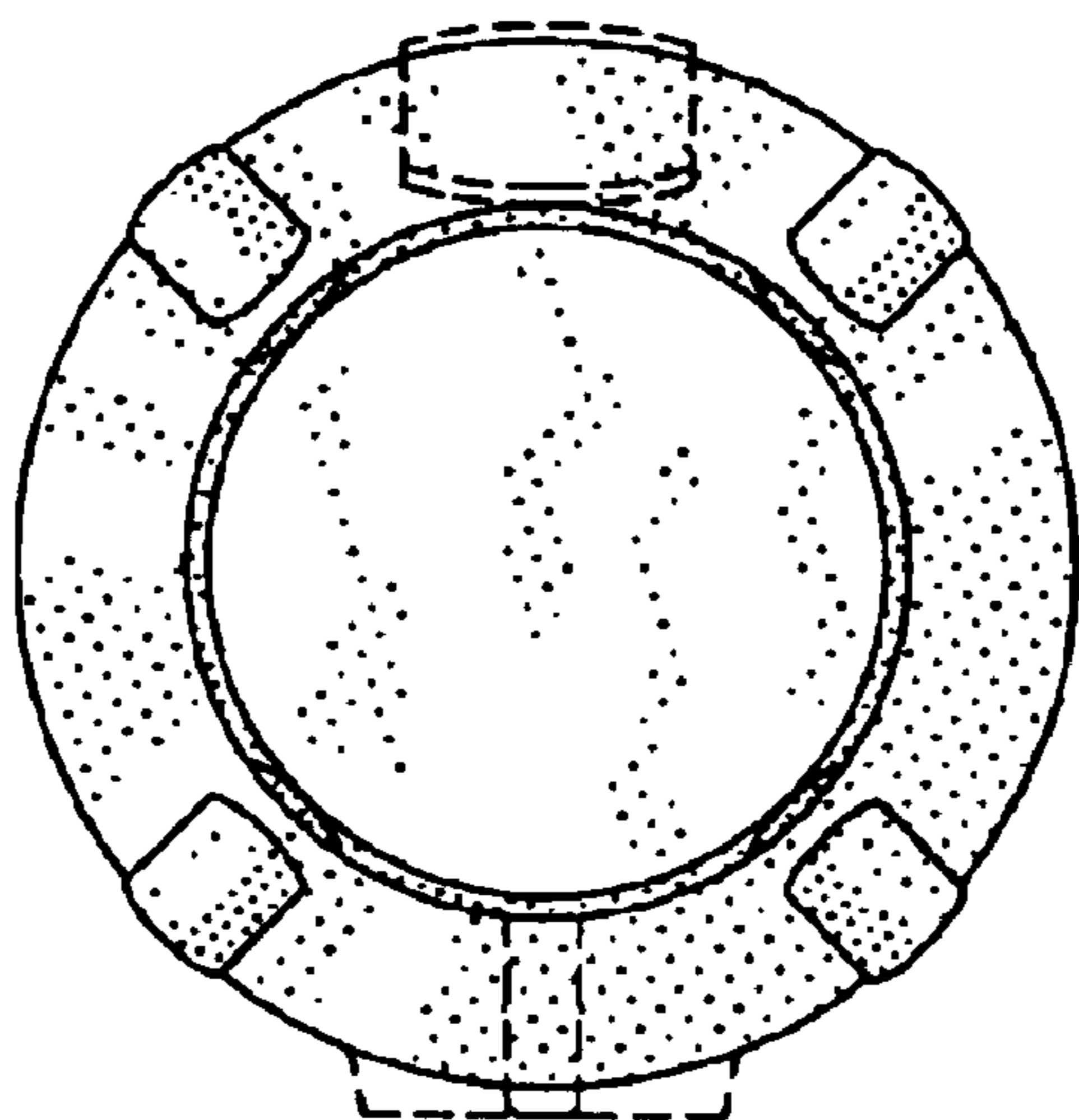


FIG. 8