



US00D494298S1

(12) **United States Design Patent** (10) **Patent No.:** **US D494,298 S**
Brent (45) **Date of Patent:** **** Aug. 10, 2004**

(54) **FLASHLIGHT**

(75) Inventor: **Malcolm Brent**, Surry (GB)

(73) Assignee: **The Gillette Company**, Boston, MA (US)

(**) Term: **14 Years**

(21) Appl. No.: **29/189,905**

(22) Filed: **Sep. 13, 2003**

(51) **LOC (7) Cl.** **26-02**

(52) **U.S. Cl.** **D26/49**

(58) **Field of Search** D26/37-50; 362/157, 362/158, 171-174, 183-208

(56) **References Cited**

U.S. PATENT DOCUMENTS

D450,404 S	*	11/2001	Kit	D26/49
D467,376 S	*	12/2002	Yamamoto et al.	D26/49
D475,151 S	*	5/2003	Man	D26/49
D482,151 S	*	11/2003	Shiu	D26/49

* cited by examiner

Primary Examiner—Marcus A. Jackson

(74) *Attorney, Agent, or Firm*—Barry D. Josephs; Thomas G. Krivulka

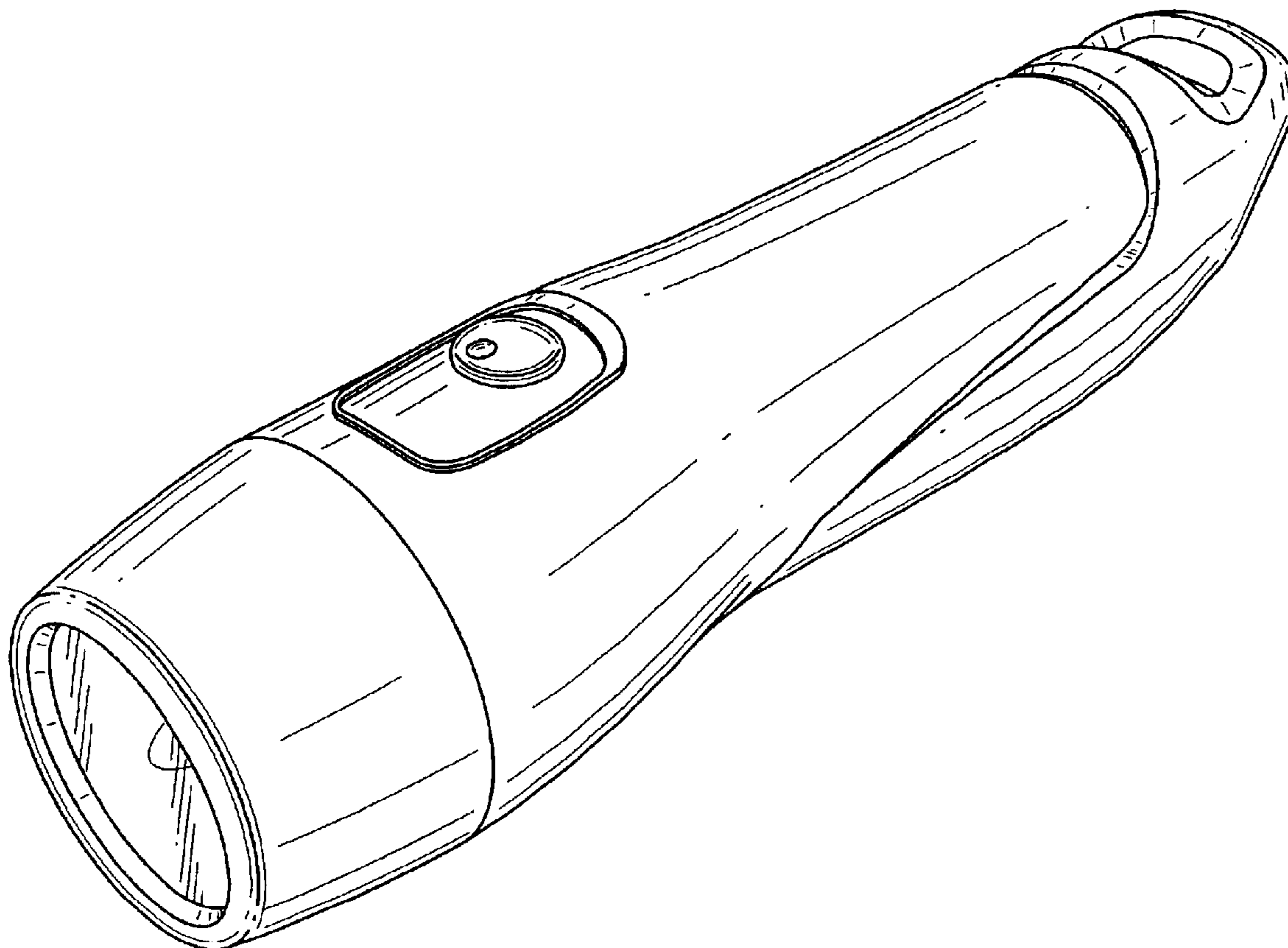
(57) **CLAIM**

The ornamental design for the flashlight, as shown and described.

DESCRIPTION

FIG. 1 is a top perspective view of the flashlight of the invention;
 FIG. 2 is a top plan view of FIG. 1;
 FIG. 3 is a left side elevation view of FIG. 1; the opposite side being a mirror image;
 FIG. 4 is a bottom plan view of FIG. 1;
 FIG. 5 is a front end view of FIG. 1;
 FIG. 6 is back end view of FIG. 1;
 FIG. 7 is a top perspective view of a second embodiment of the flashlight of the invention;
 FIG. 8 is a top plan view of FIG. 7;
 FIG. 9 is a left side elevation view of FIG. 7; the opposite side being a mirror image;
 FIG. 10 is a bottom plan view of FIG. 7;
 FIG. 11 is a front end view of FIG. 7; and,
 FIG. 12 is back end view of FIG. 7.

1 Claim, 10 Drawing Sheets



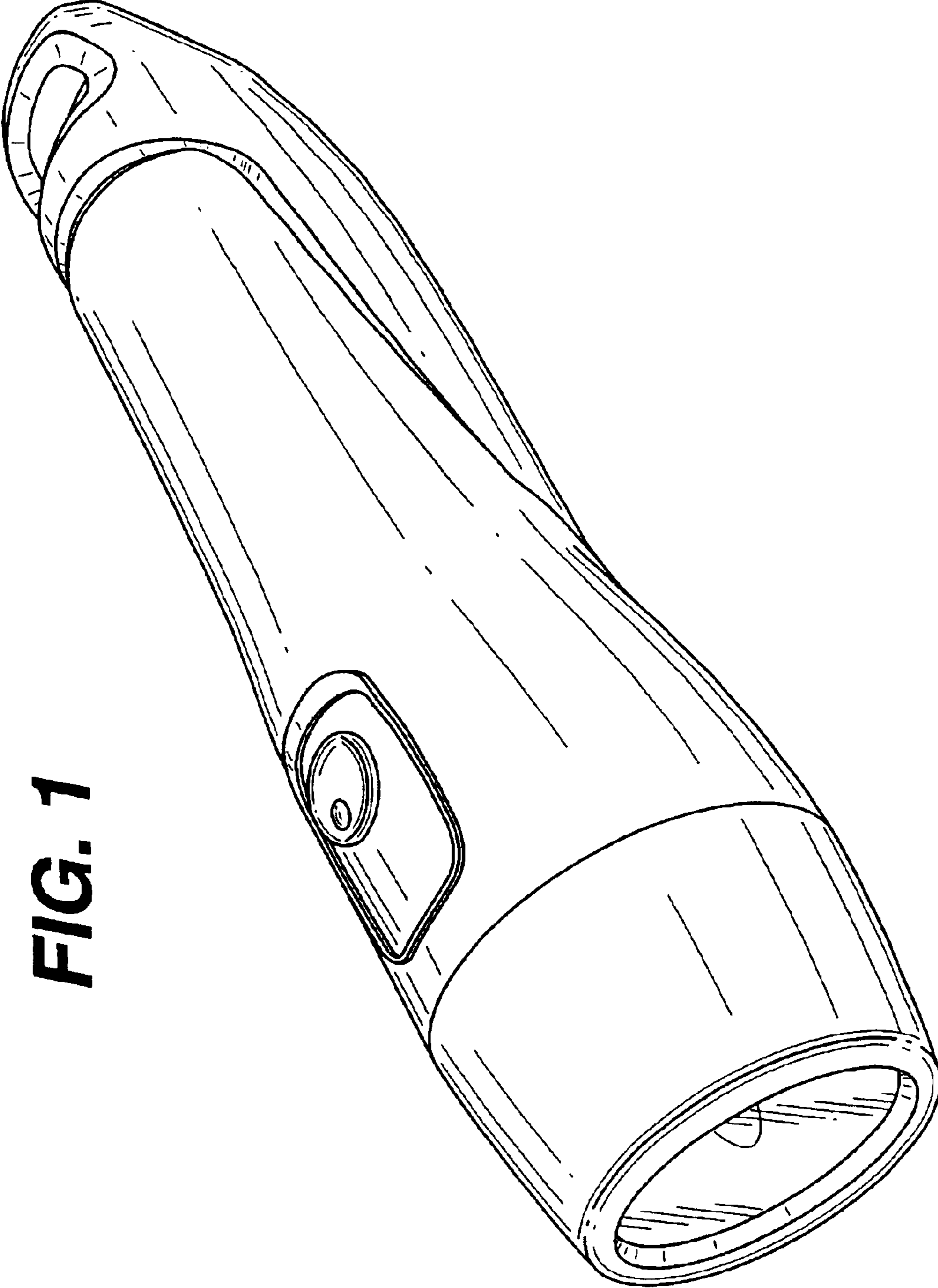


FIG. 1

FIG. 2

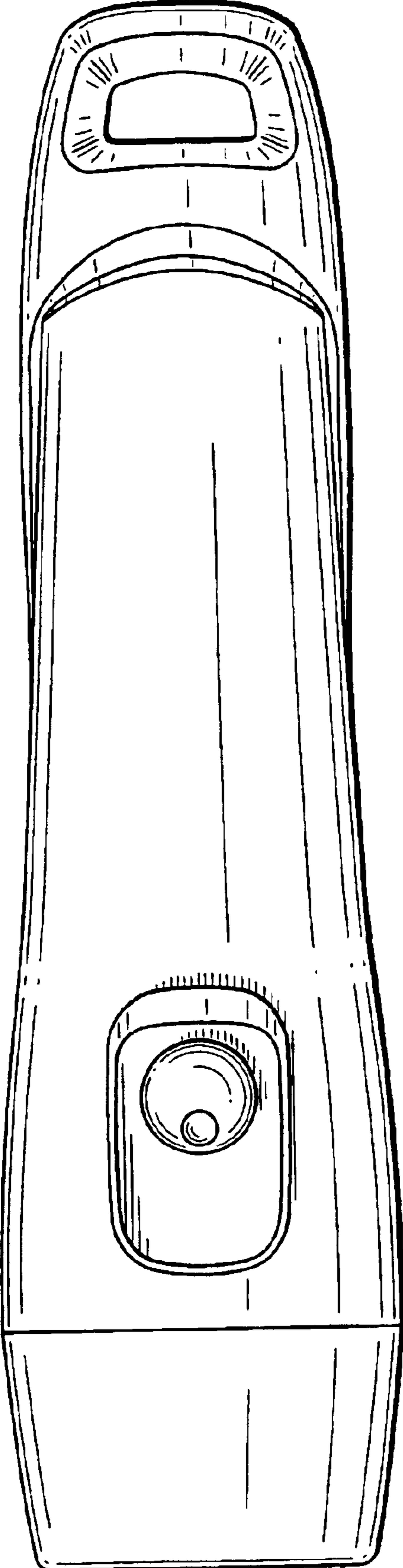


FIG. 3



FIG. 4

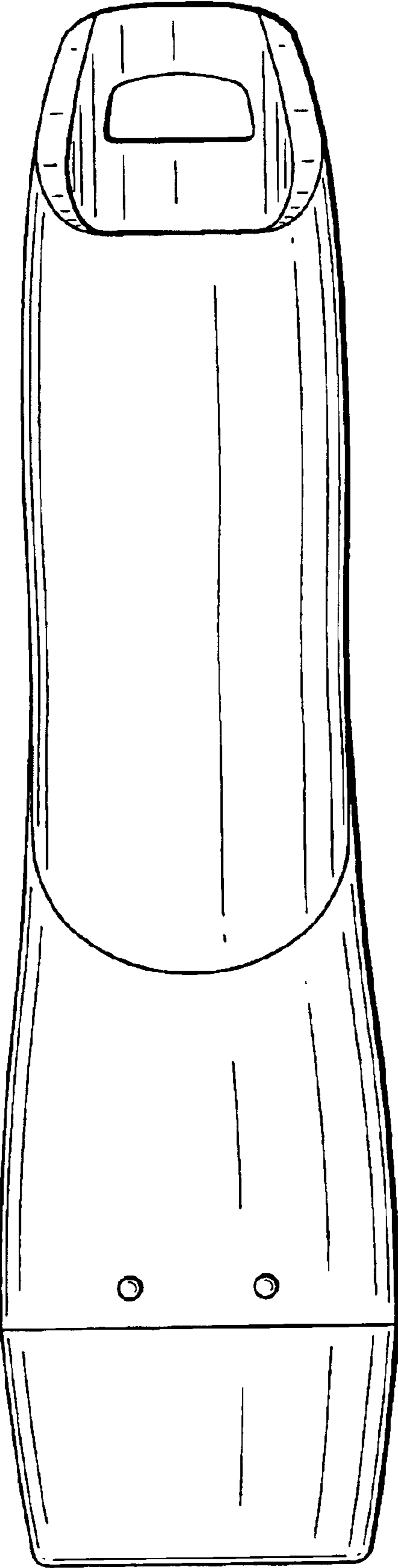


FIG. 5

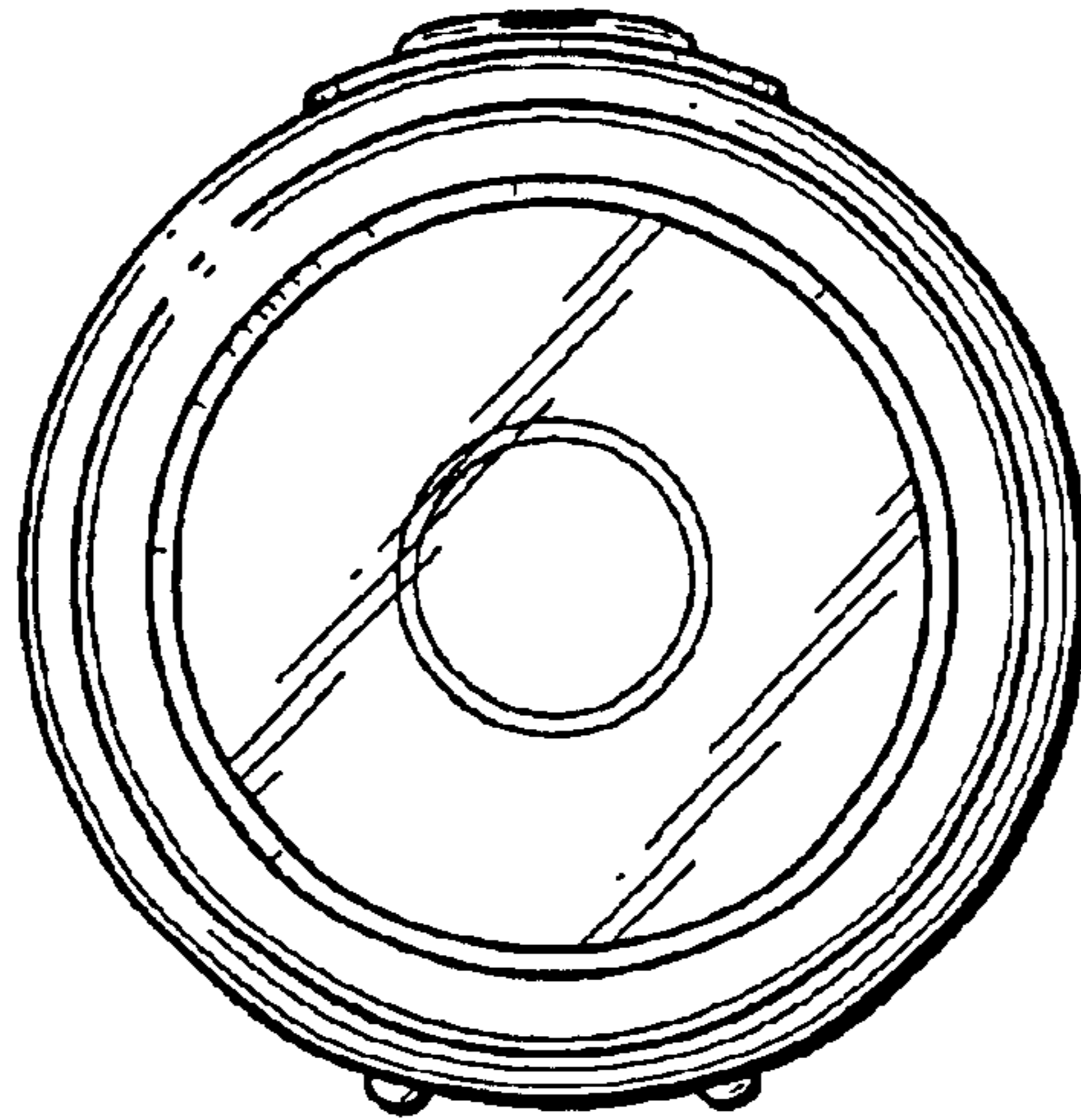
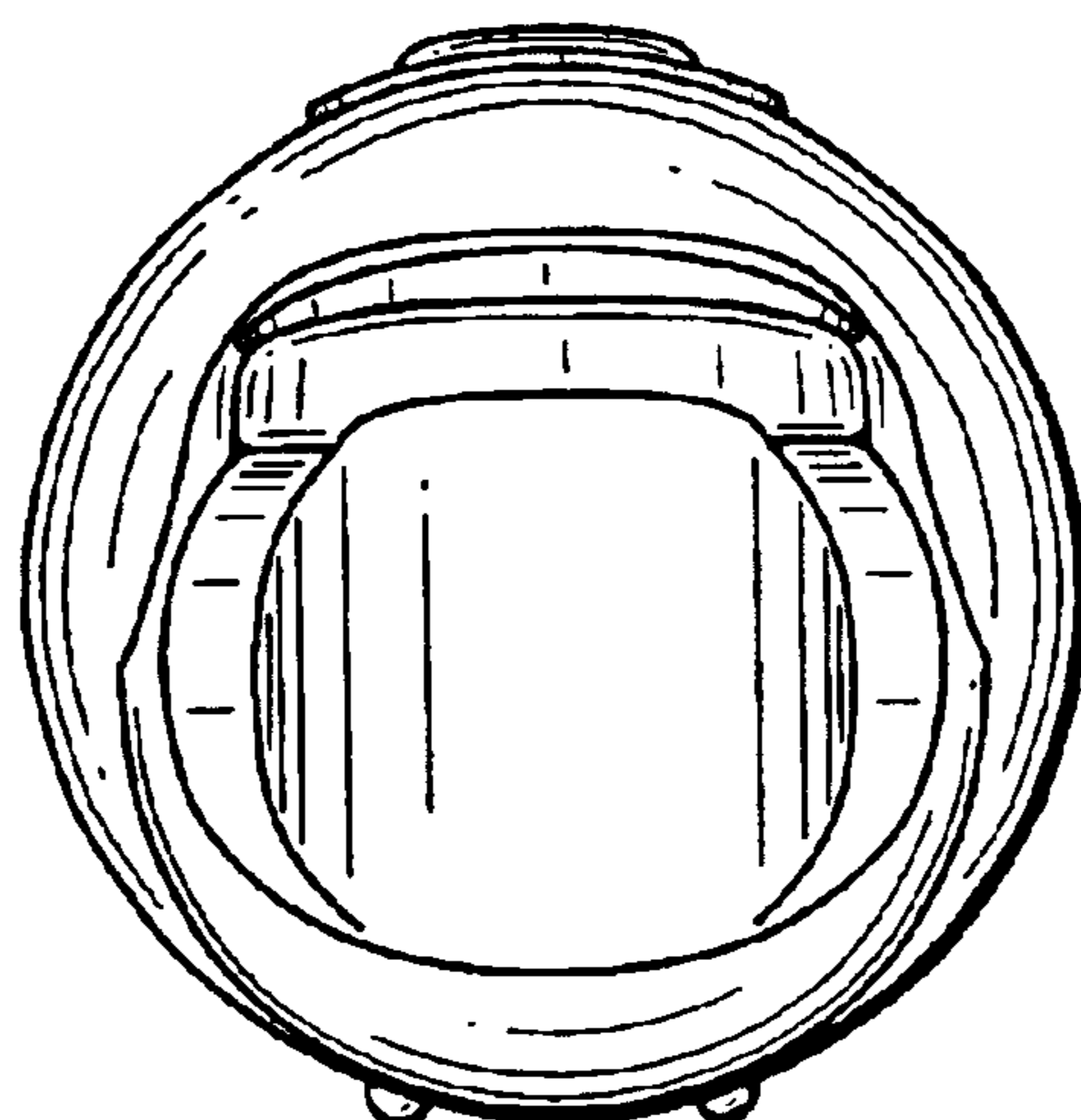


FIG. 6



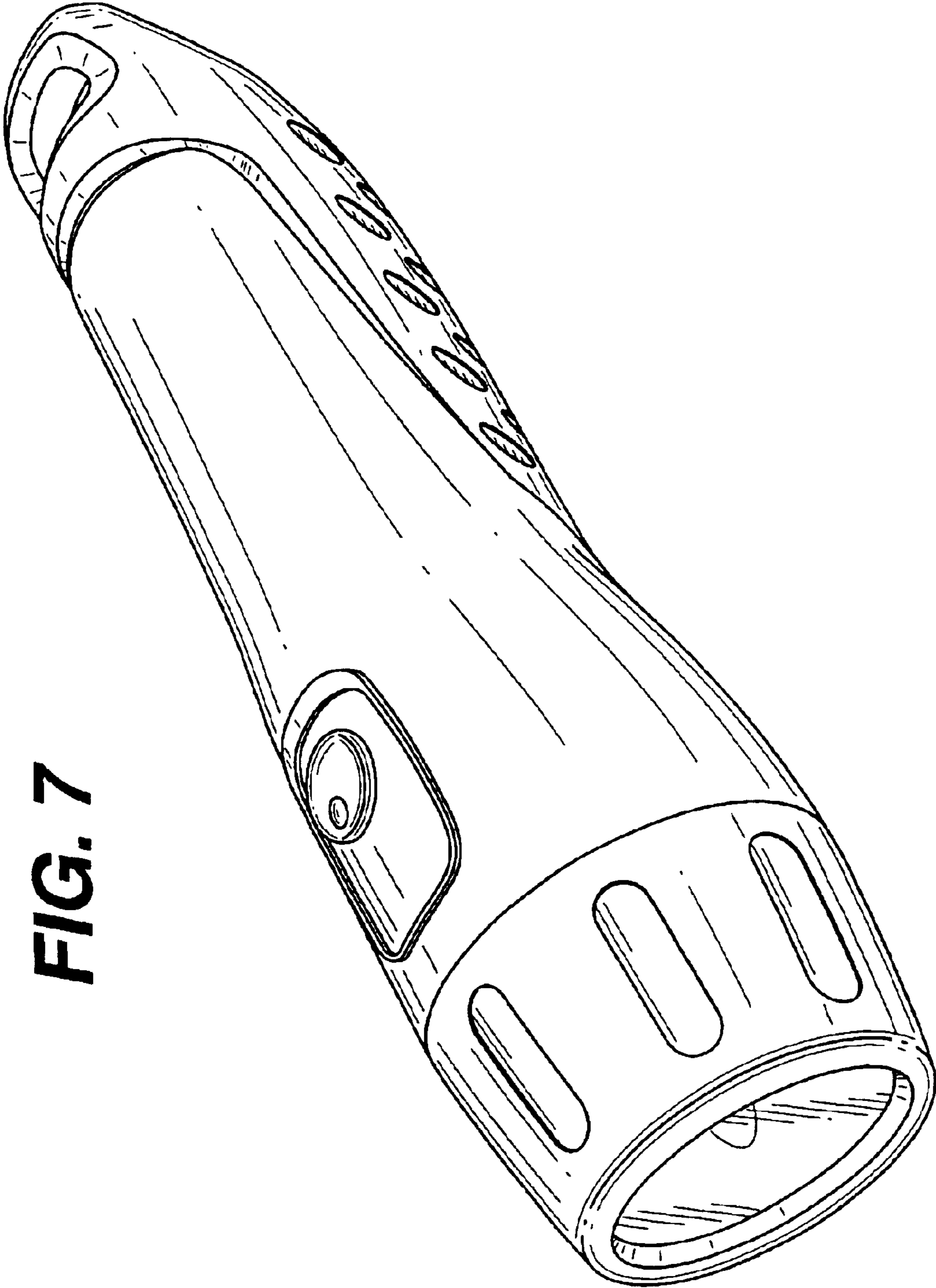


FIG. 7

FIG. 8

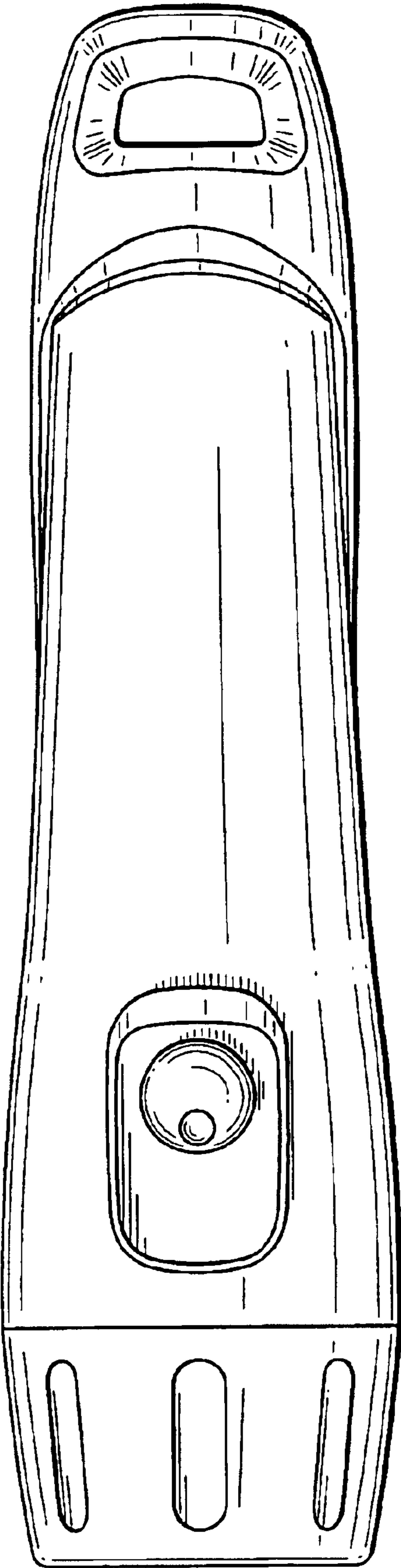


FIG. 9

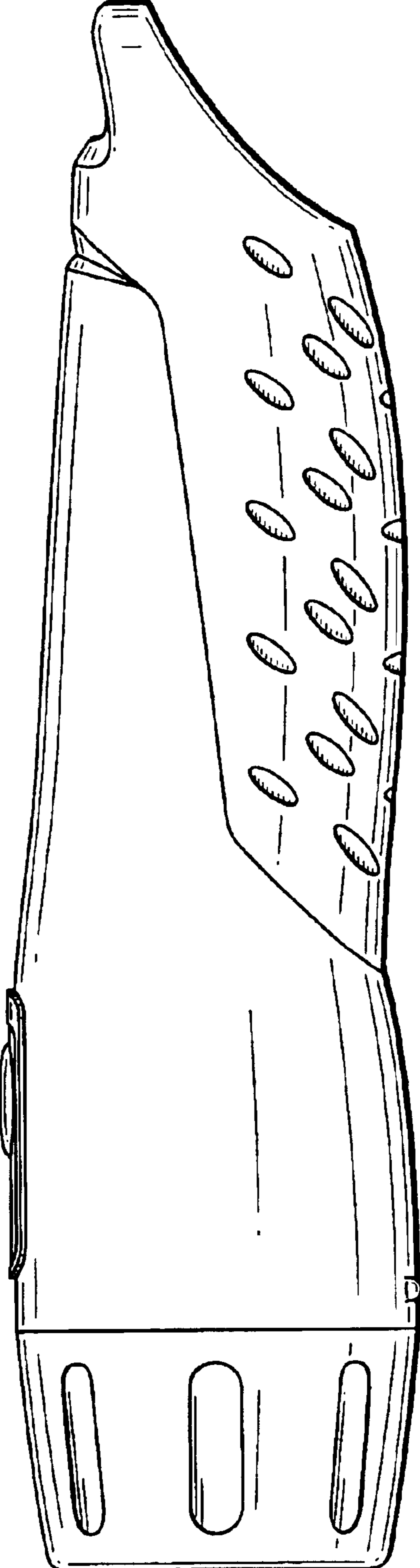


FIG. 10

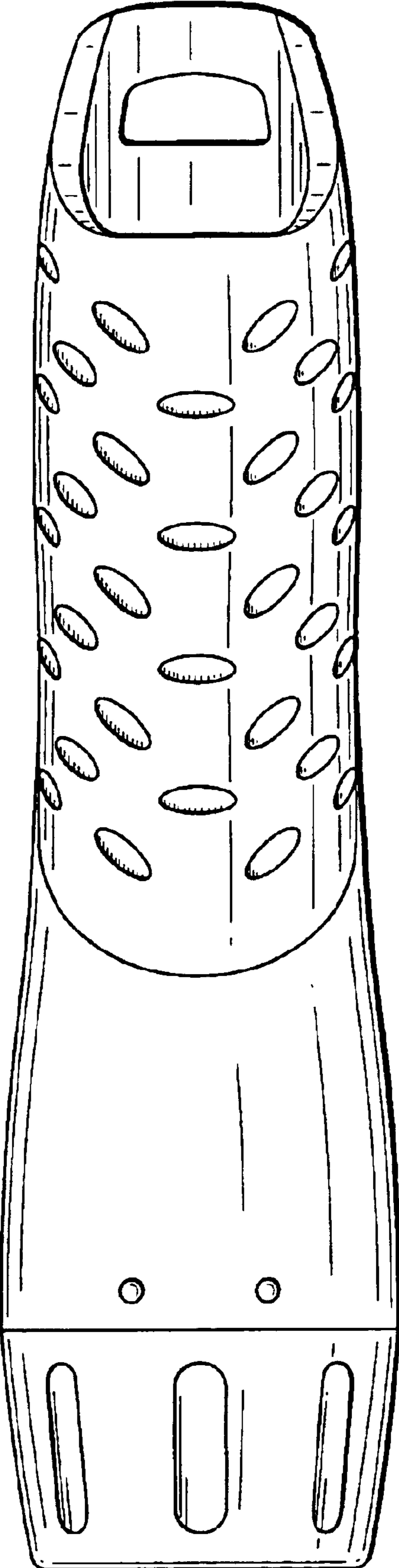


FIG. 11

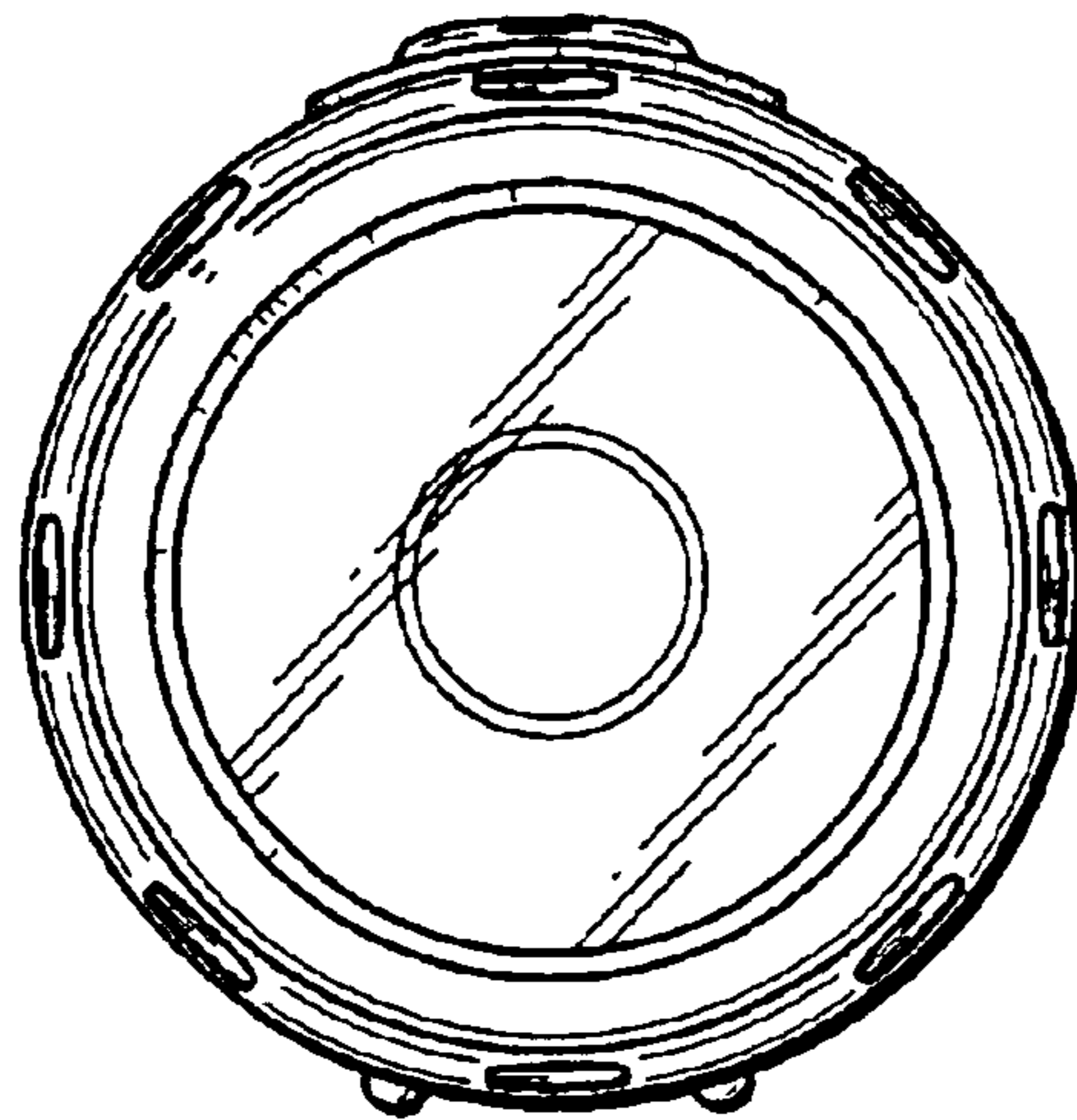


FIG. 12

