

US00D494297S1

(12) **United States Design Patent**
Yuen

(10) **Patent No.: US D494,297 S**

(45) **Date of Patent: ** Aug. 10, 2004**

(54) **RECHARGEABLE HALOGEN SEARCH LIGHT**

D485,628 S * 1/2004 Yuen D26/44

* cited by examiner

(75) Inventor: **John Se Kit Yuen**, Kowloon (CN)

Primary Examiner—Marcus A Jackson

(73) Assignee: **John Manufacturing Limited**,
Kowloon (CN)

(74) *Attorney, Agent, or Firm*—Alix, Yale & Ristas, LLP

(**) Term: **14 Years**

(57) **CLAIM**

The ornamental design for a rechargeable halogen search light, as shown and described.

(21) Appl. No.: **29/187,764**

DESCRIPTION

(22) Filed: **Aug. 6, 2003**

FIG. 1 is a front view of a rechargeable halogen search light showing my new design;

(30) **Foreign Application Priority Data**

Feb. 19, 2003 (GB) 3011005

FIG. 2 is a rear view thereof;

(51) **LOC (7) Cl.** **26-02**

FIG. 3 is a left side view thereof;

(52) **U.S. Cl.** **D26/46**

FIG. 4 is a right side view thereof;

(58) **Field of Search** D26/37-50; 362/157,
362/158, 171-174, 183-208

FIG. 5 is a top plan view thereof;

FIG. 6 is a bottom plan view thereof;

FIG. 7 is a perspective view thereof, taken generally from the front and above thereof;

FIG. 8 is a perspective view thereof, taken generally from below and the rear thereof; and,

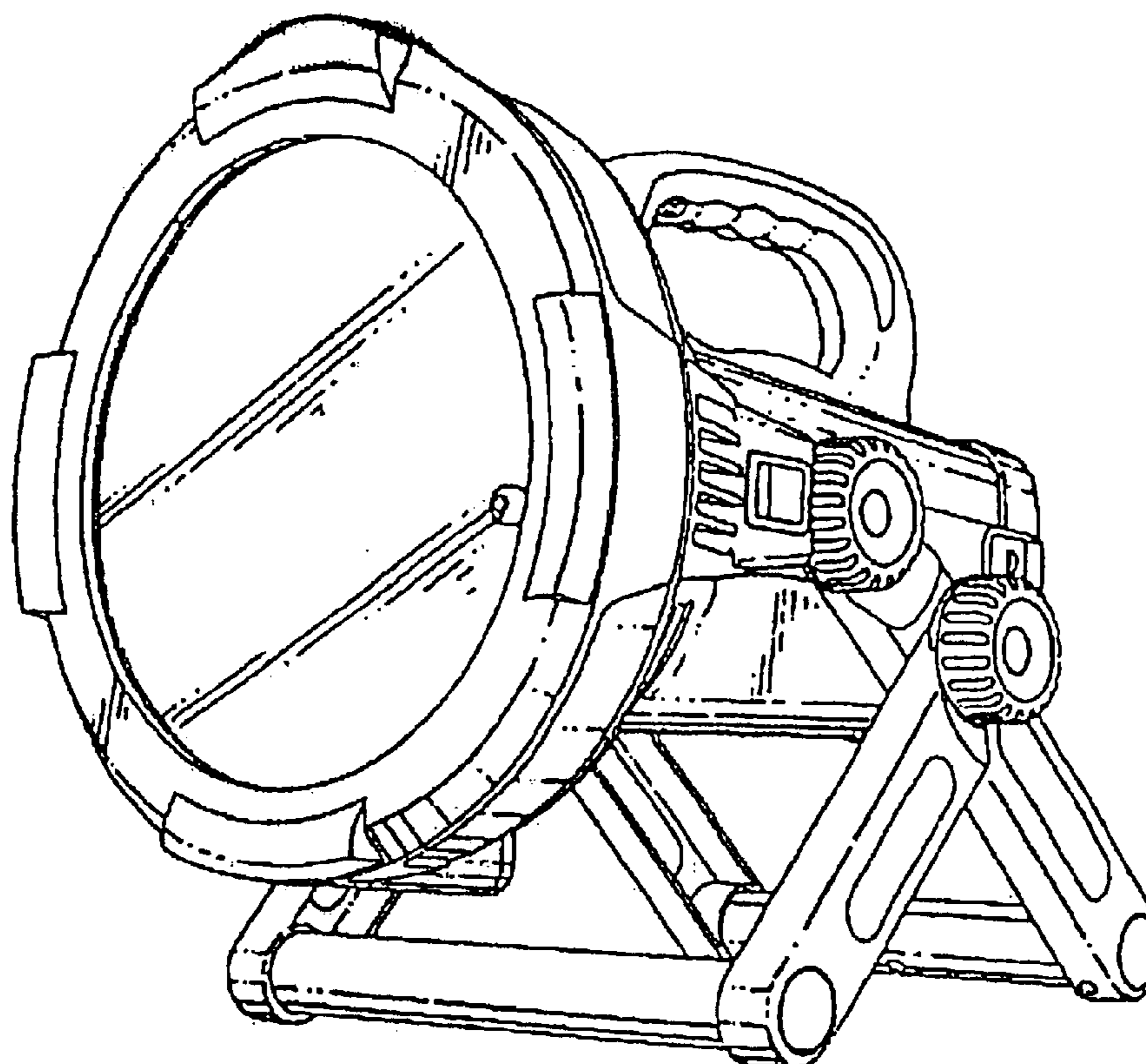
FIG. 9 is a perspective view thereof, taken generally from the front and side thereof showing a stand portion thereof in an optional alternative position.

(56) **References Cited**

U.S. PATENT DOCUMENTS

D425,229 S * 5/2000 Poon D26/46
D430,323 S * 8/2000 Yuen D26/46
D453,047 S * 1/2002 Yuen D26/44

1 Claim, 4 Drawing Sheets



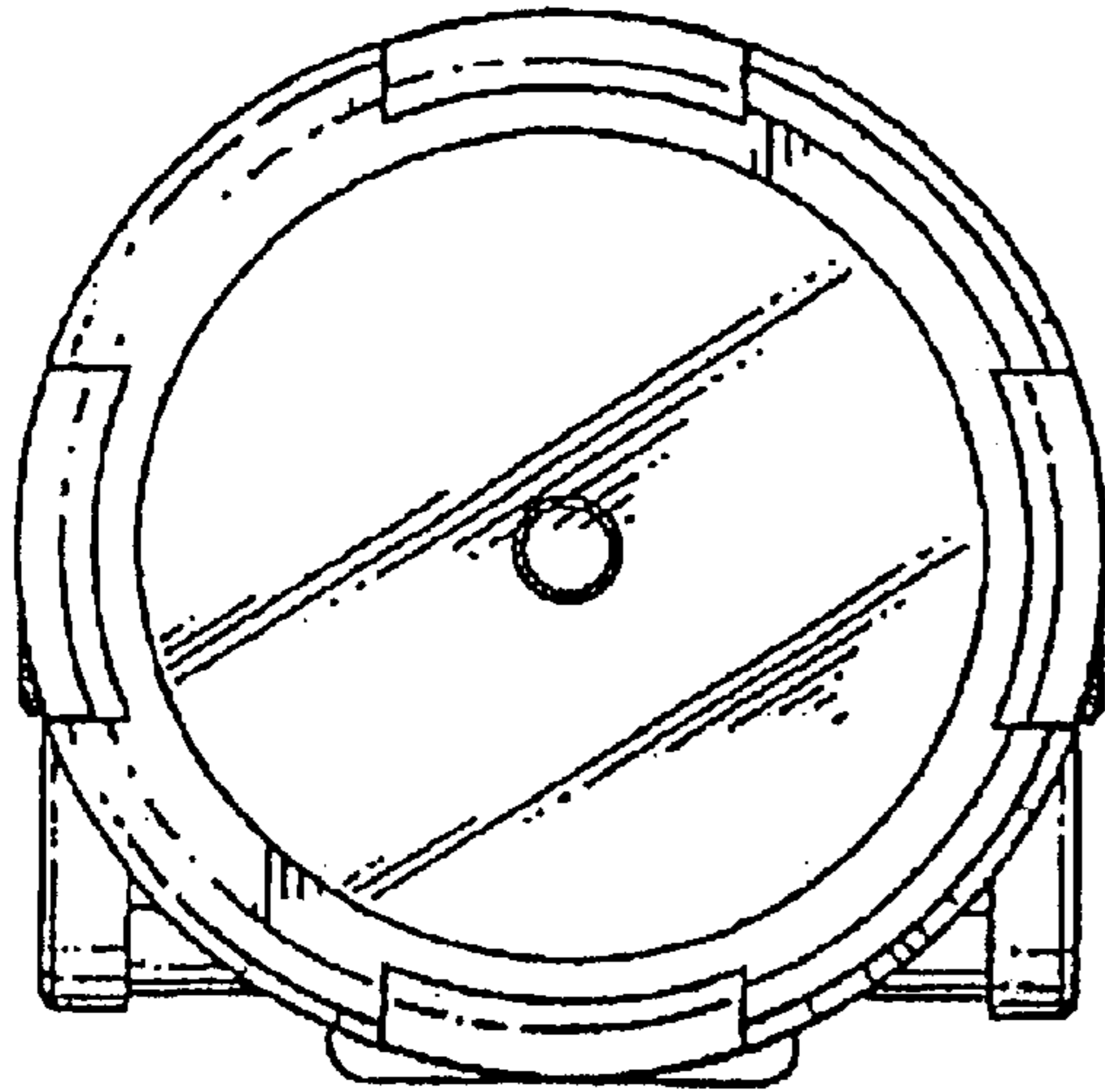


Figure 1

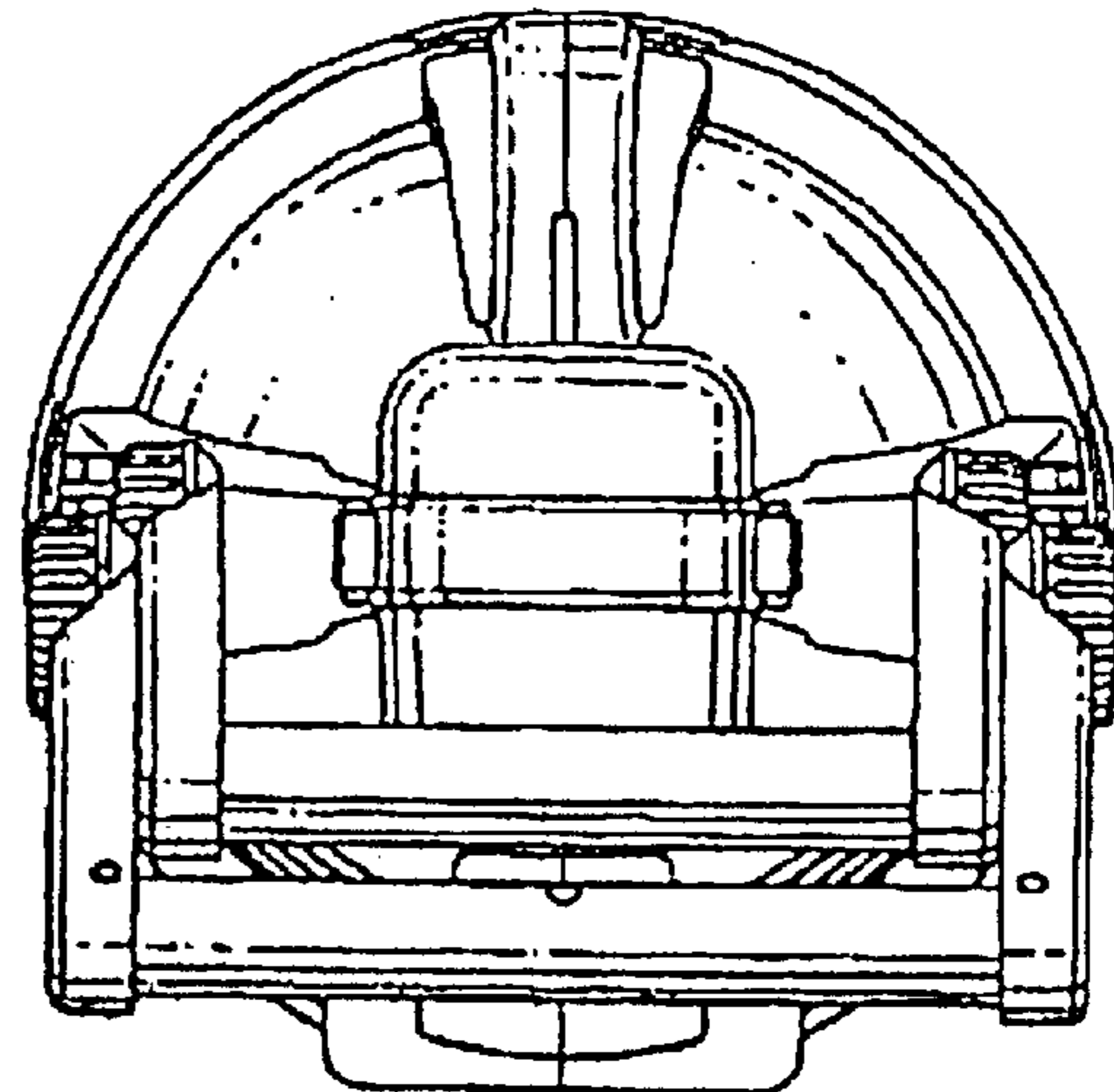


Figure 2

Figure 3

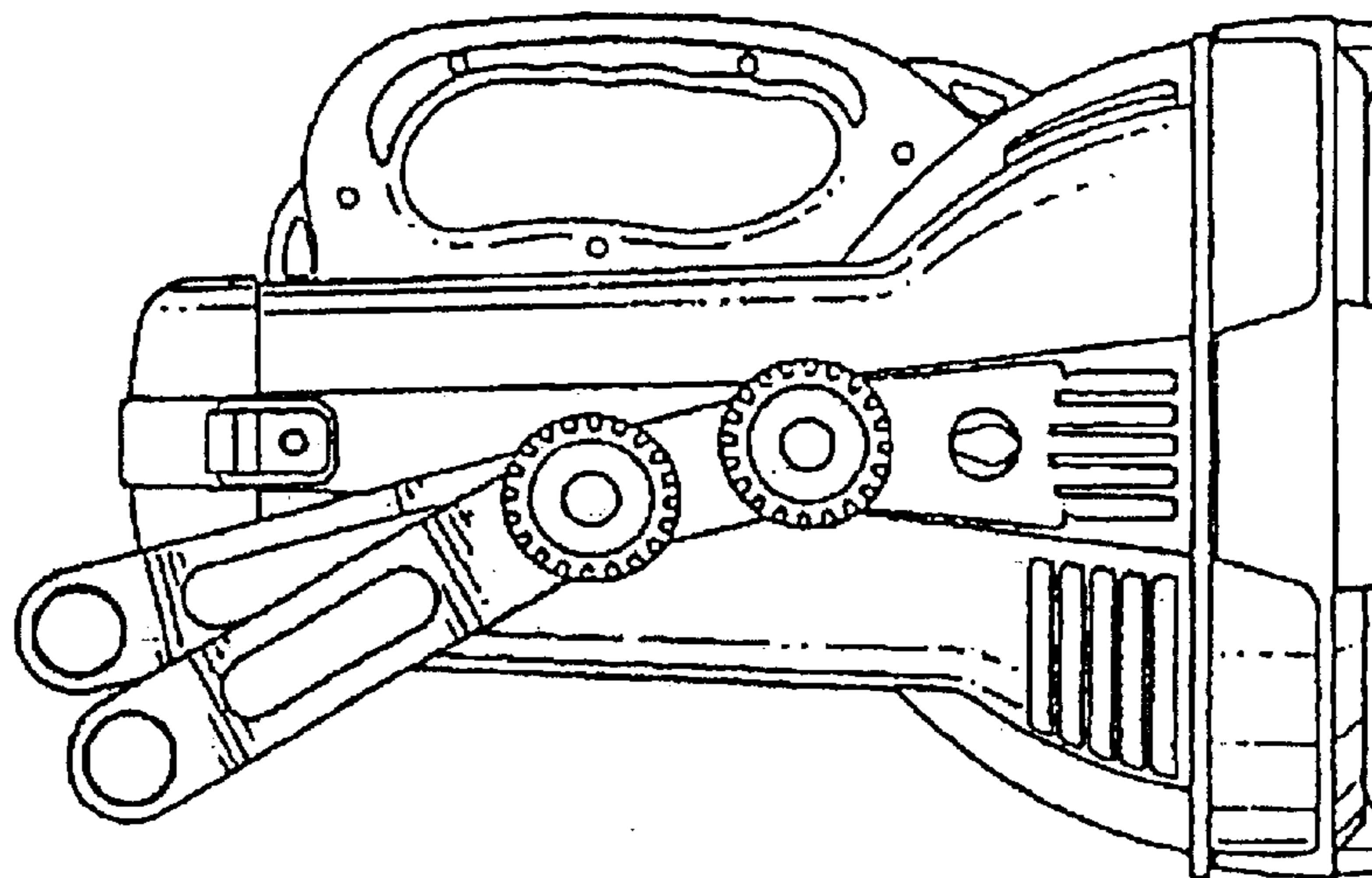


Figure 4

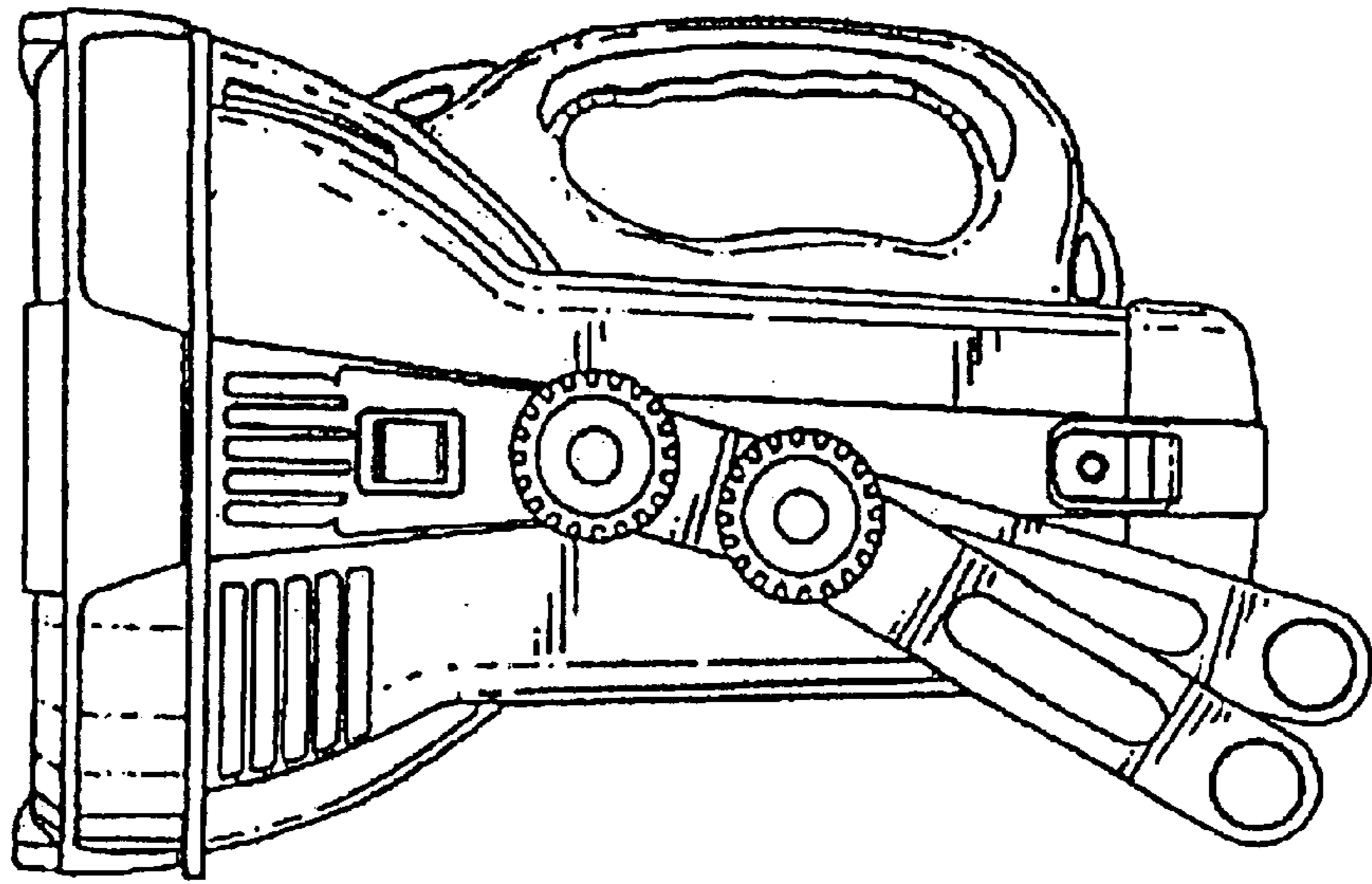
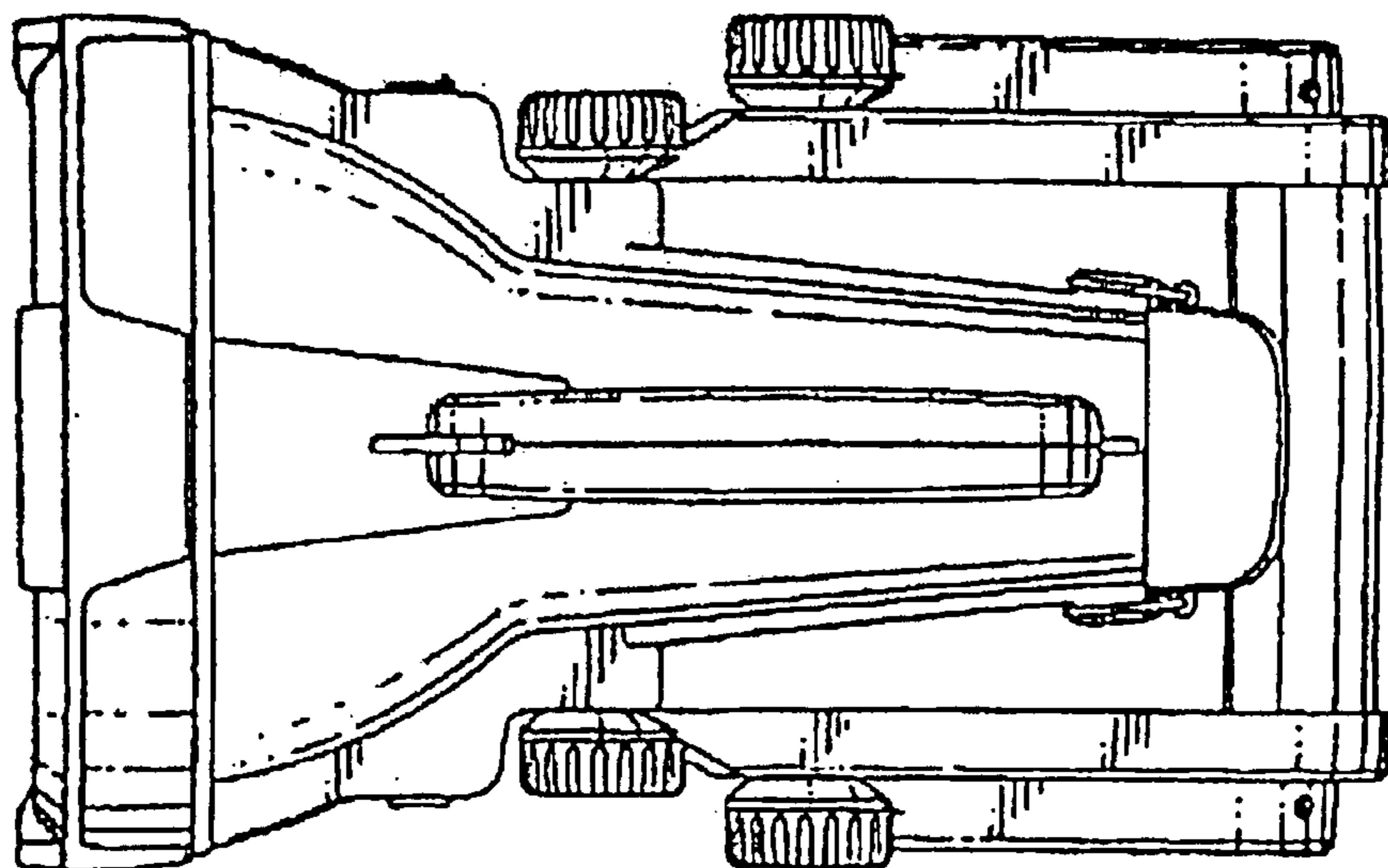


Figure 5



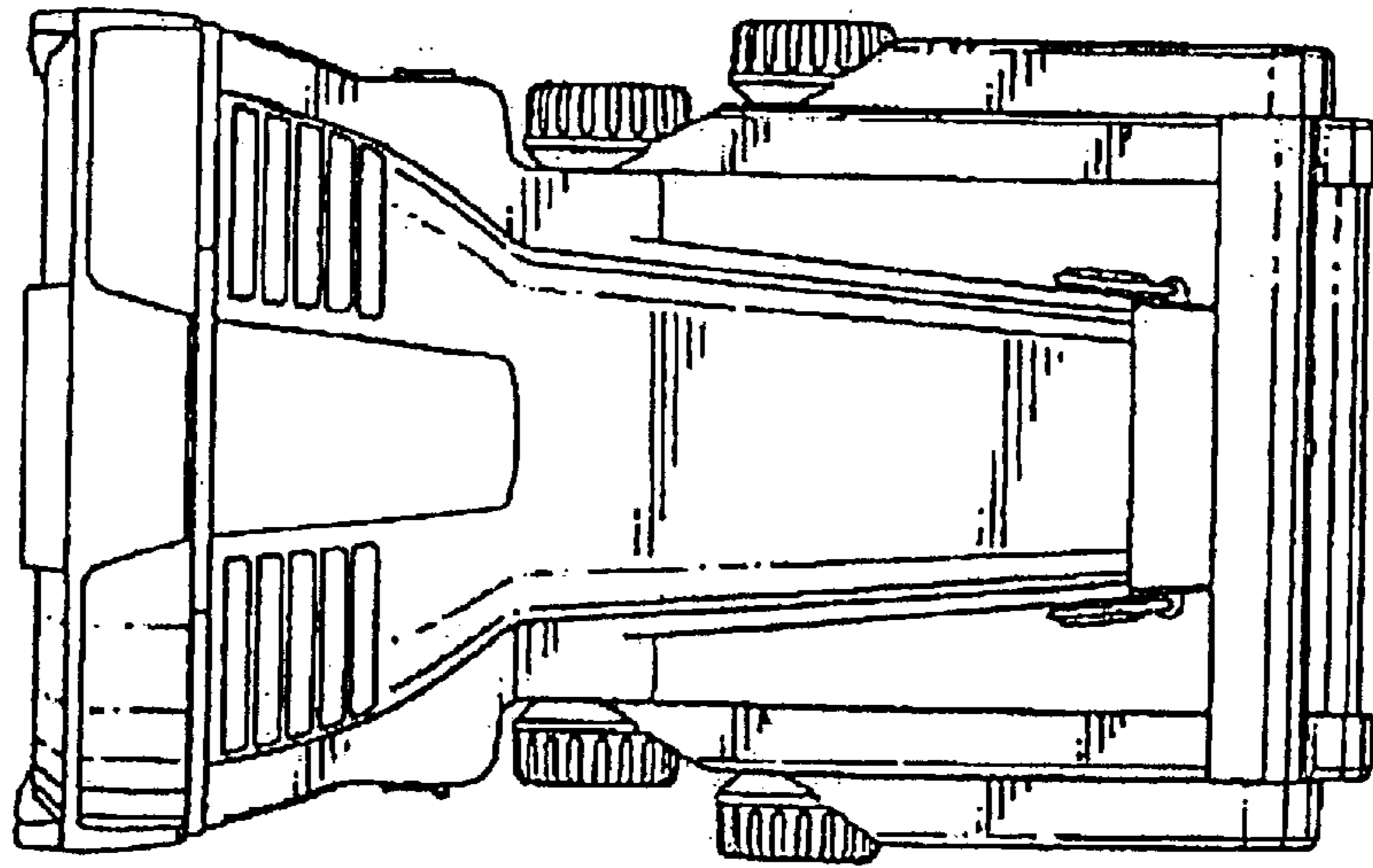


Figure 6

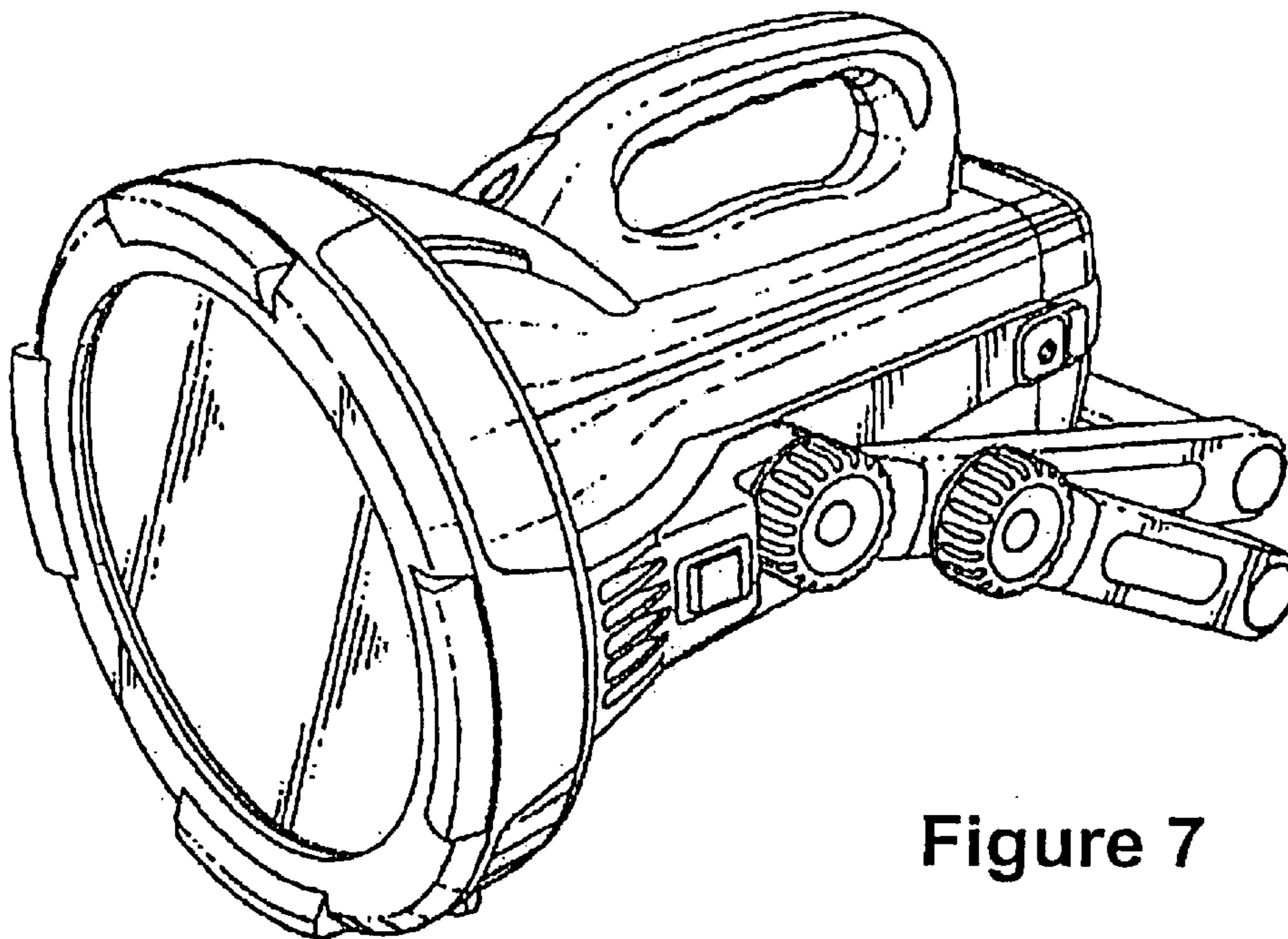


Figure 7

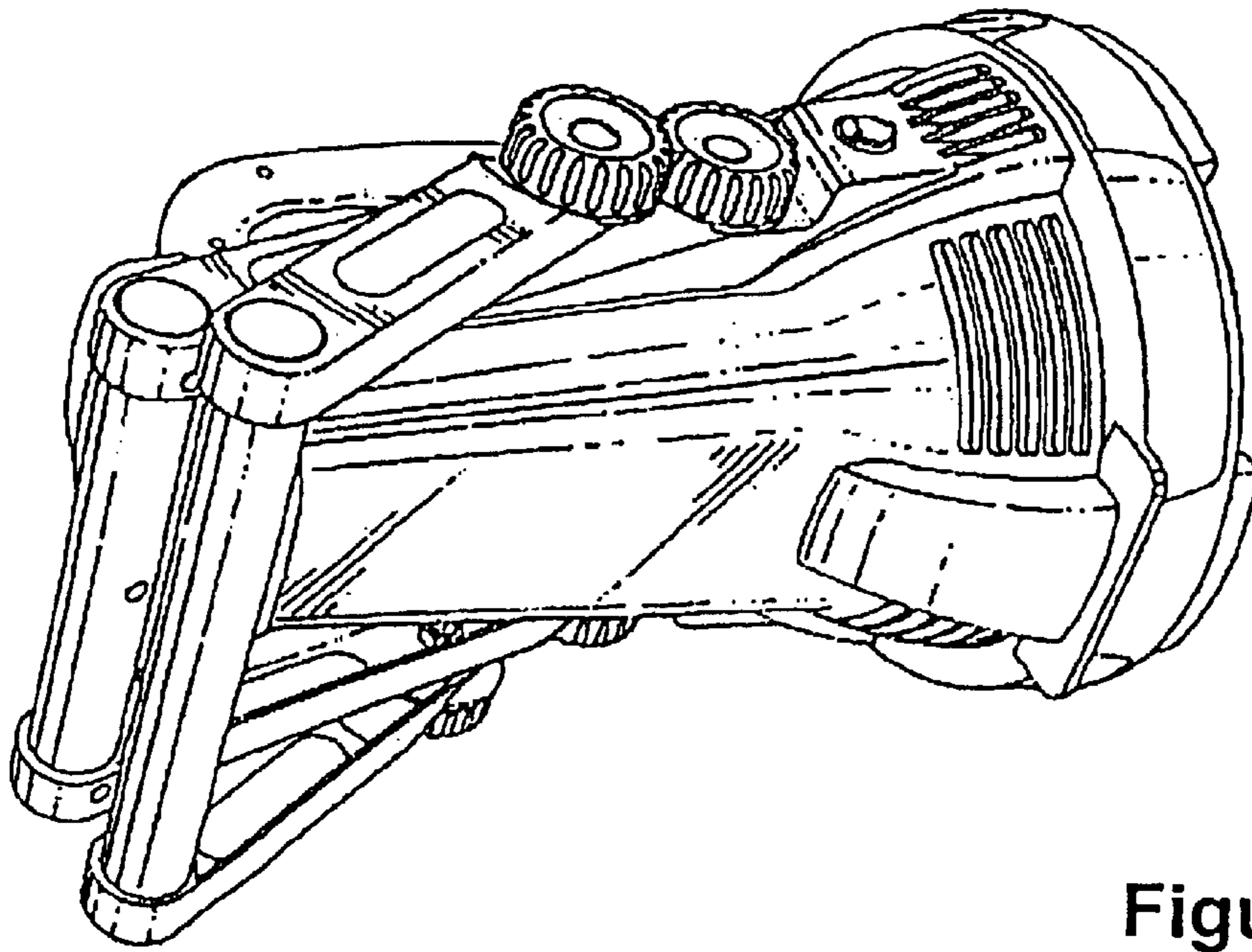


Figure 8

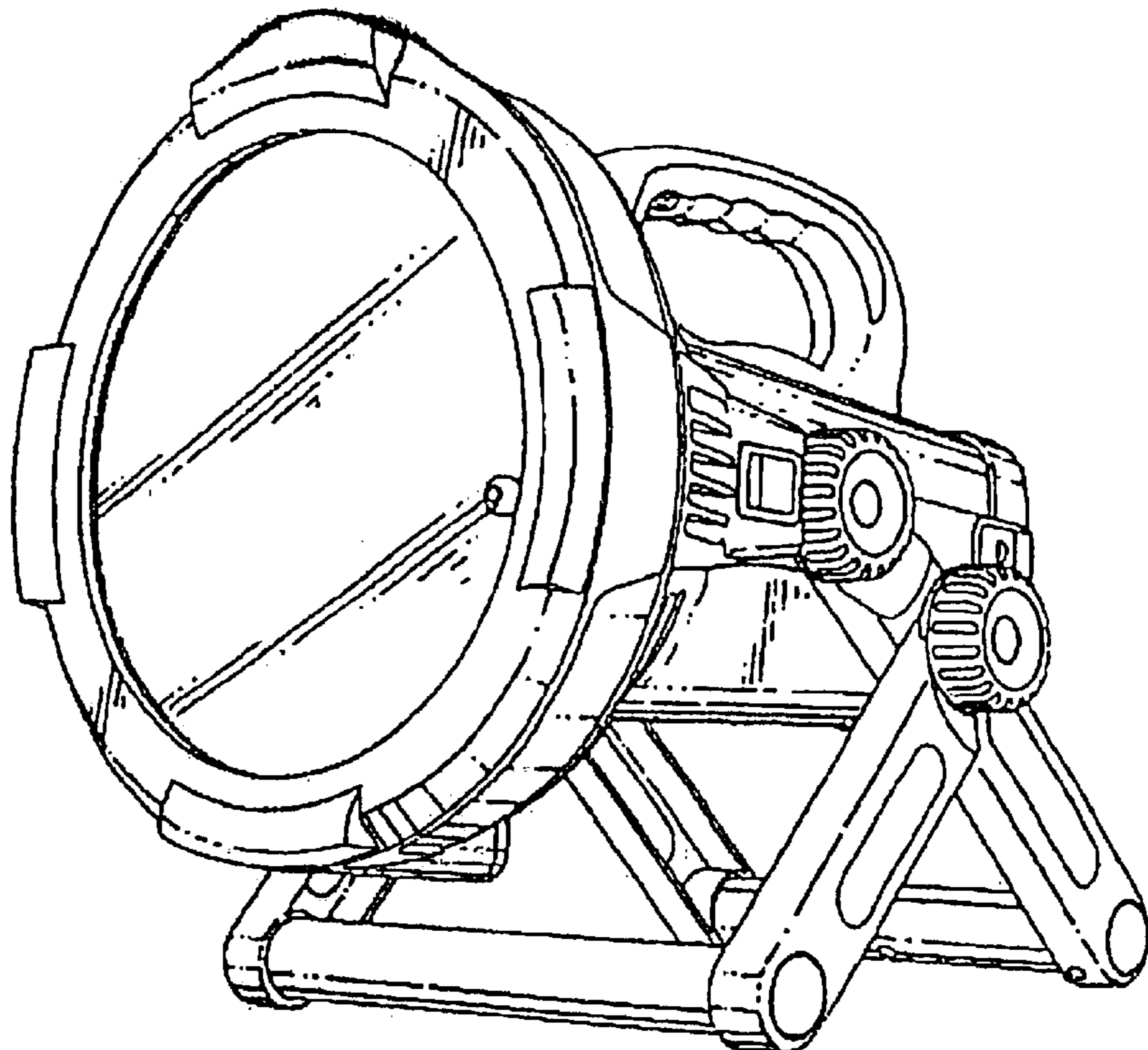


Figure 9