

US00D494293S1

(12) **United States Design Patent** (10) **Patent No.:** **US D494,293 S**
Pfeiffer (45) **Date of Patent:** **** Aug. 10, 2004**

(54) **SURFACE CONFIGURATION OF A HEADLIGHT FOR A VEHICLE**

(75) Inventor: **Peter Pfeiffer**, Boeblingen (DE)
(73) Assignee: **DaimlerChrysler AG**, Stuttgart (DE)
(**) Term: **14 Years**

(21) Appl. No.: **29/190,085**

(22) Filed: **Sep. 16, 2003**

(30) **Foreign Application Priority Data**

Apr. 8, 2003 (DE) 4 03 02 835

(51) **LOC (7) Cl.** **26-04**

(52) **U.S. Cl.** **D26/28**

(58) **Field of Search** D26/28-36; 362/61,
362/80, 81, 82, 83, 83.4, 267, 269, 275,
330-340

(56) **References Cited**

U.S. PATENT DOCUMENTS

D433,653 S	11/2000	Sacco et al.	D12/92
D434,864 S	12/2000	Sacco et al.	D12/28
D439,550 S	3/2001	Sacco et al.	D12/91
D465,040 S	* 10/2002	Lin	D26/28
D476,757 S	* 7/2003	Pfeiffer	D26/28
D480,163 S	* 9/2003	Pfeiffer et al.	D26/28

* cited by examiner

Primary Examiner—Marcus A. Jackson
(74) *Attorney, Agent, or Firm*—Crowell & Moring LLP

(57) **CLAIM**

The ornamental design for a surface configuration of a headlight for a vehicle, as shown and described.

DESCRIPTION

FIG. 1 is a front view of a first embodiment of a surface configuration of a headlight for a vehicle according to my novel design;

FIG. 2 is a perspective view of the first embodiment of the surface configuration of a headlight for a vehicle according to my novel design;

FIG. 3 is a top view of the first embodiment of the surface configuration of a headlight for a vehicle according to my novel design;

FIG. 4 is a front view of a second embodiment of the surface configuration of a headlight for a vehicle according to my novel design;

FIG. 5 is a perspective view of the second embodiment of the surface configuration of a headlight for a vehicle according to my novel design;

FIG. 6 is a top view of the second embodiment of the surface configuration of a headlight for a vehicle according to my novel design;

FIG. 7 is a front view of a third embodiment of the surface configuration of a headlight for a vehicle according to my novel design;

FIG. 8 is a perspective view of the third embodiment of the surface configuration of a headlight for a vehicle according to my novel design;

FIG. 9 is a top view of the third embodiment of the surface configuration of a headlight for a vehicle according to my novel design;

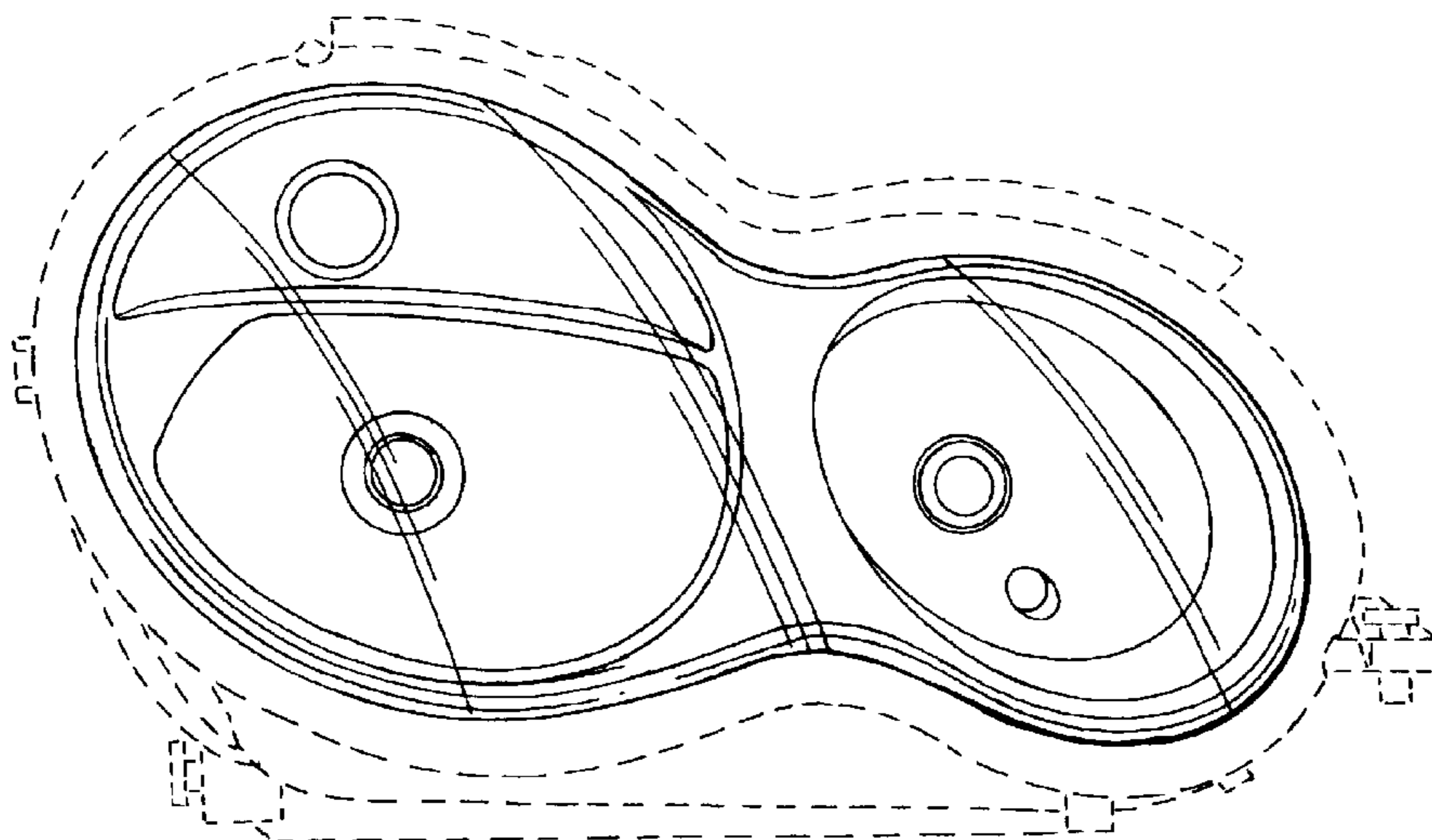
FIG. 10 is a front view of a fourth embodiment of the surface configuration of a headlight for a vehicle according to my novel design;

FIG. 11 is a perspective view of the fourth embodiment of the surface configuration of a headlight for a vehicle according to my novel design; and,

FIG. 12 is a top view of the fourth embodiment of the surface configuration of a headlight for a vehicle according to my novel design.

The broken lines are for illustrative purposes only and form no part of the claimed design.

1 Claim, 8 Drawing Sheets



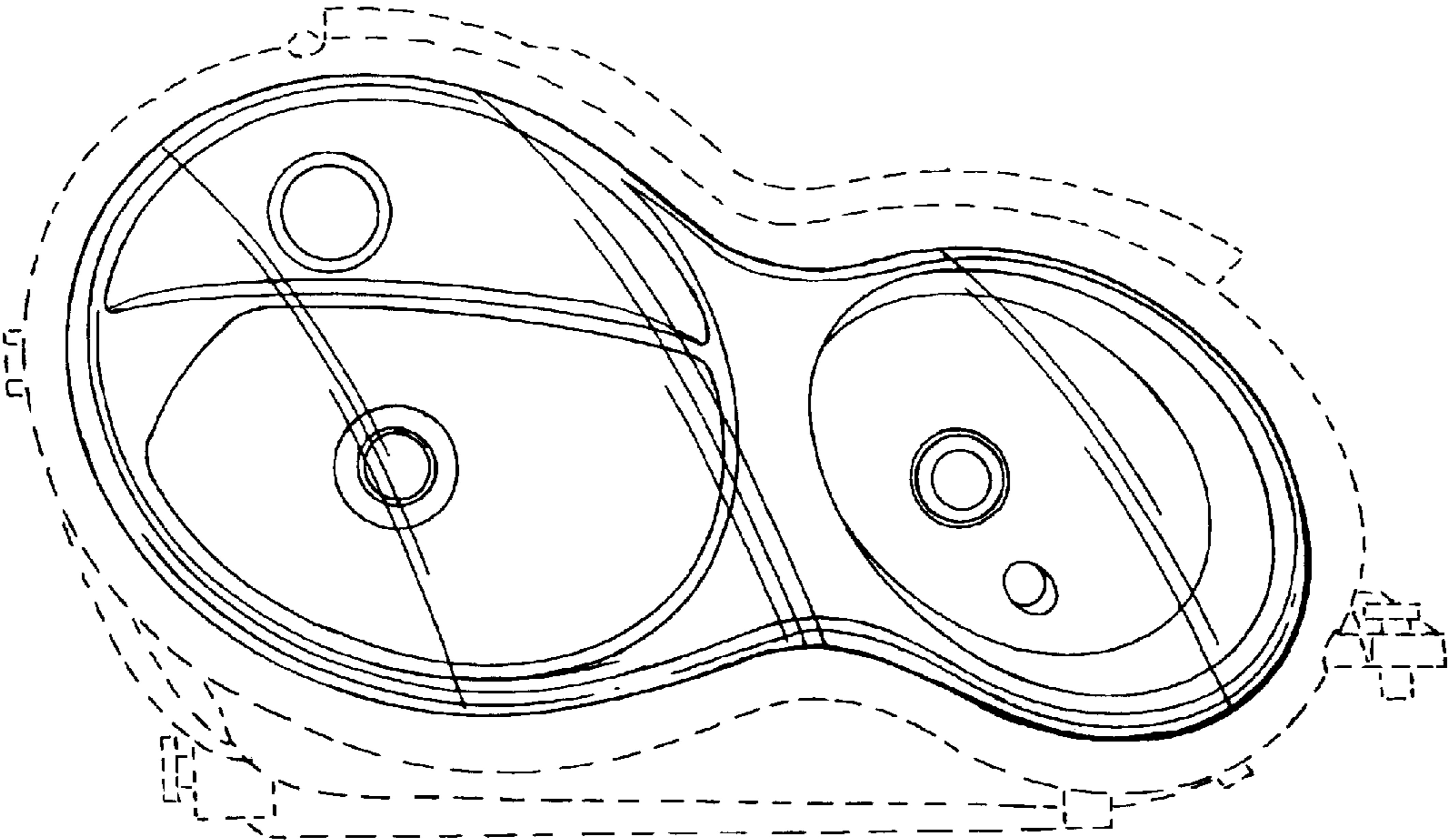


FIG. 1

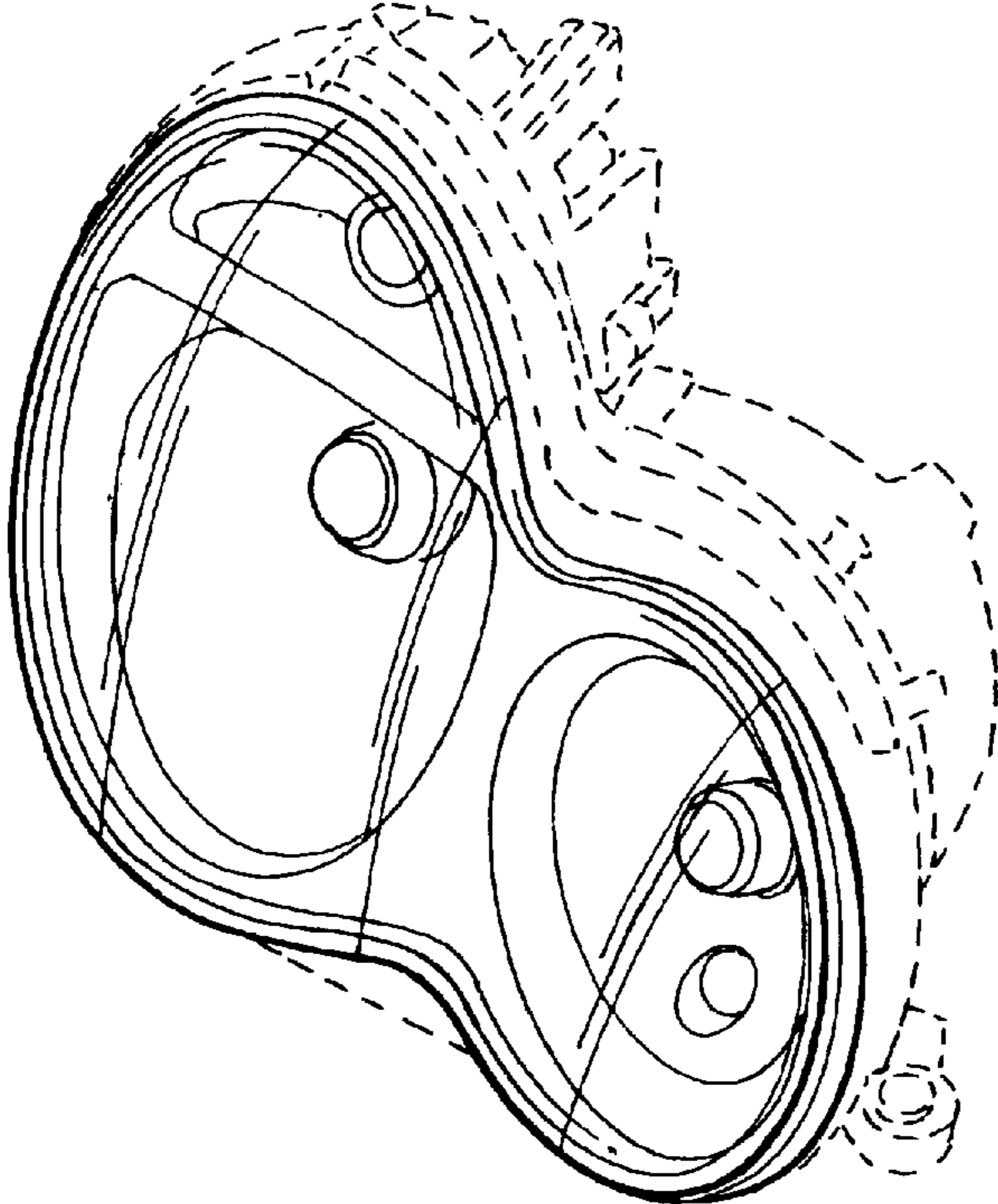


FIG. 2

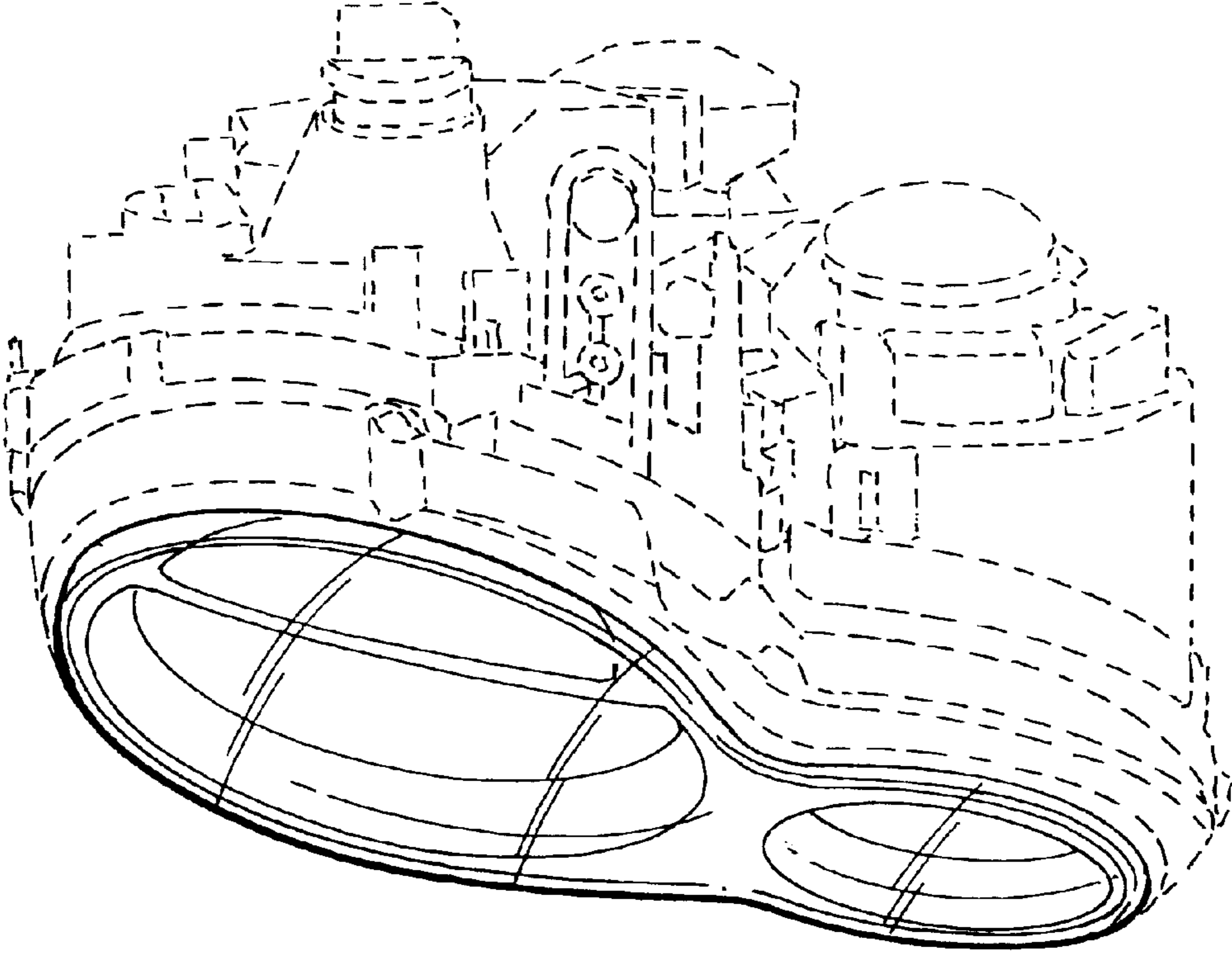


FIG. 3

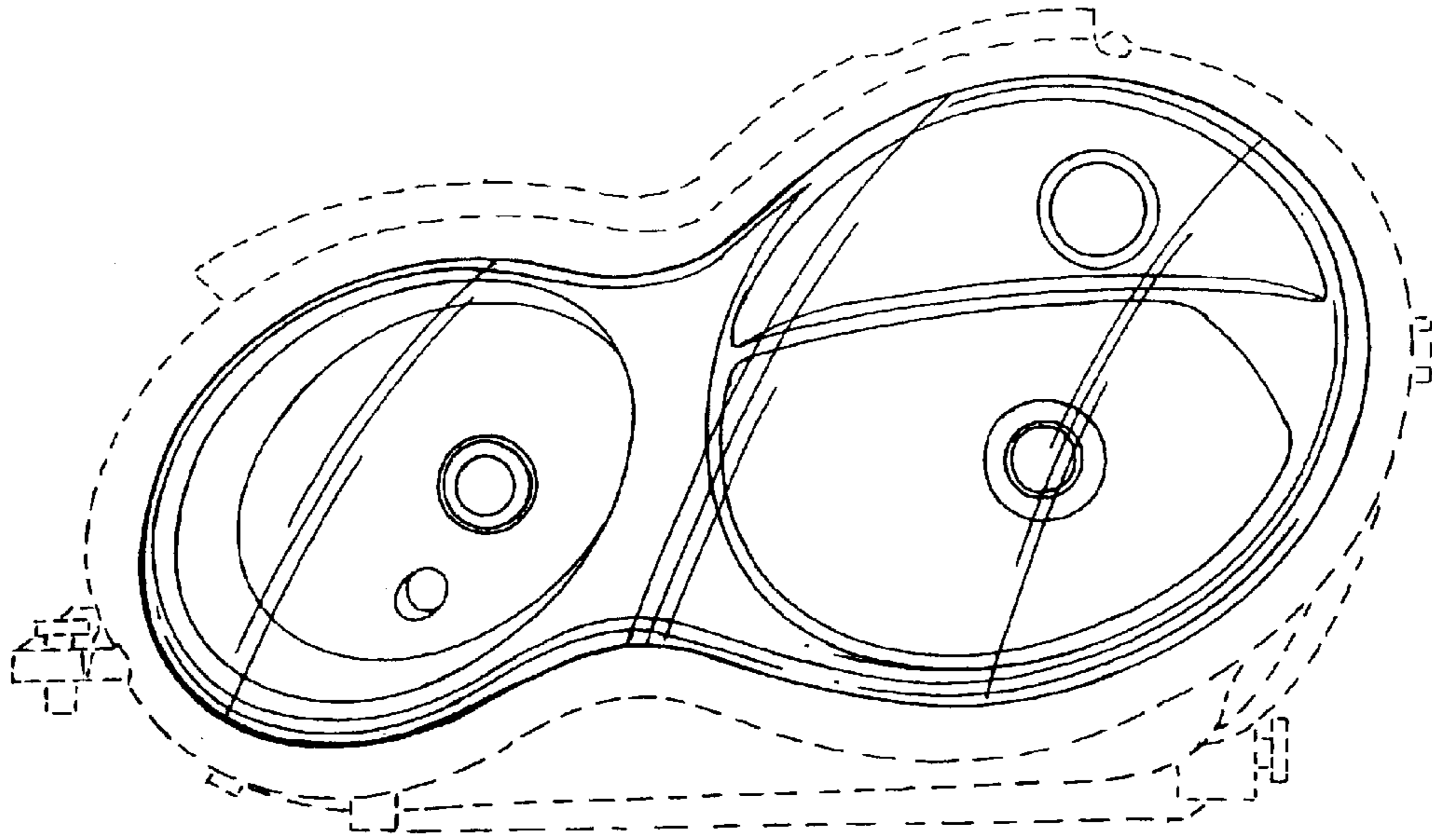


FIG. 4

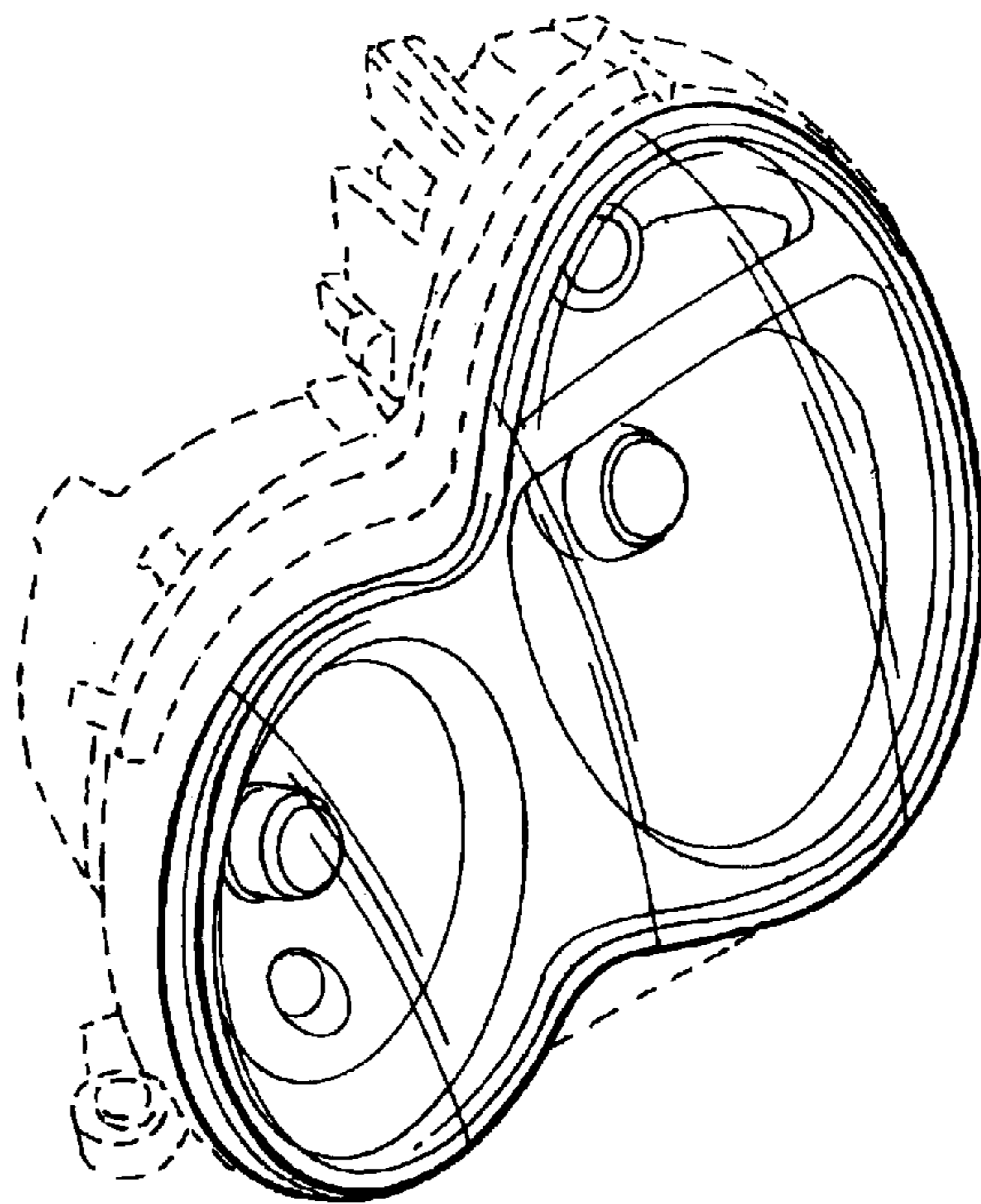


FIG. 5

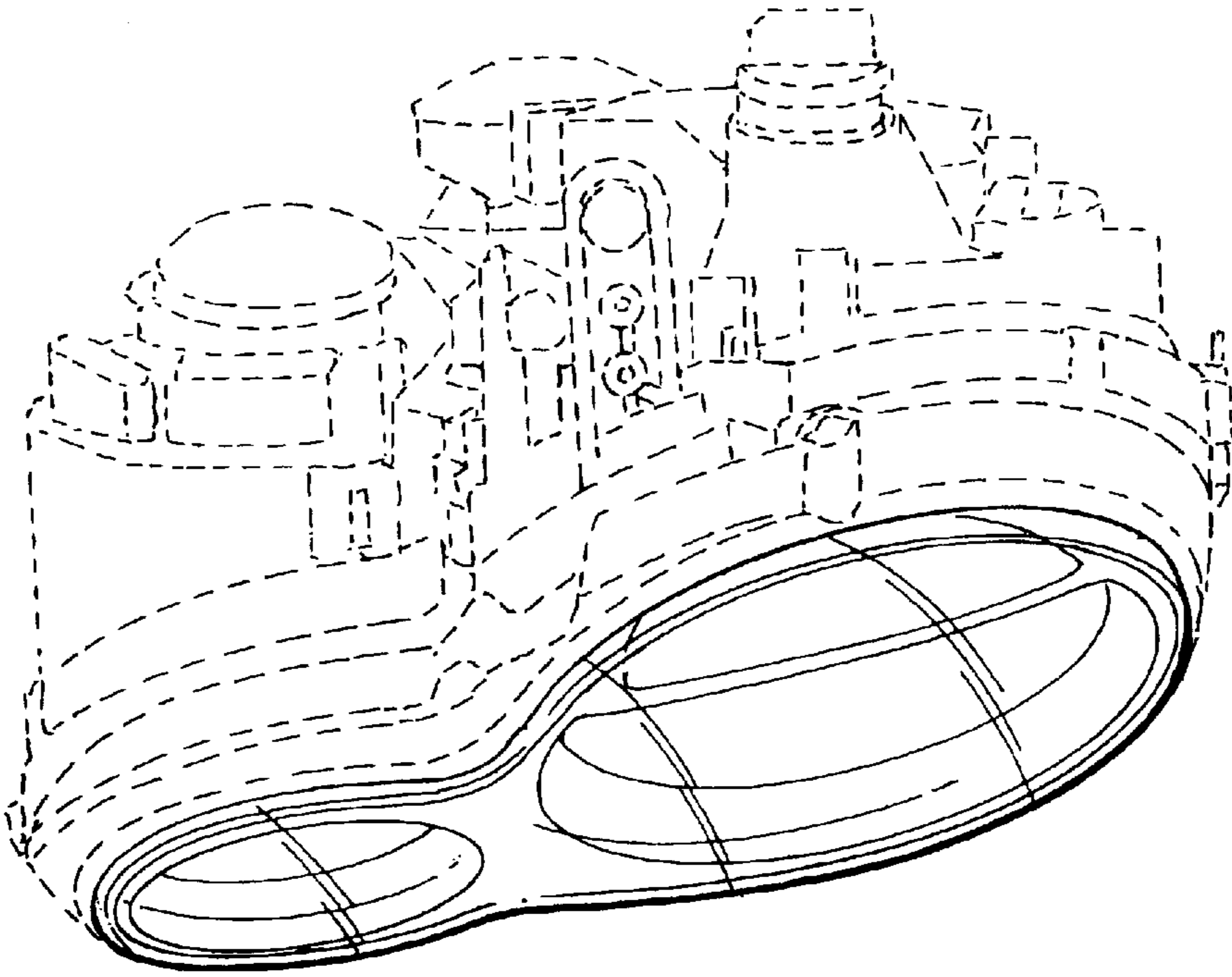


FIG. 6

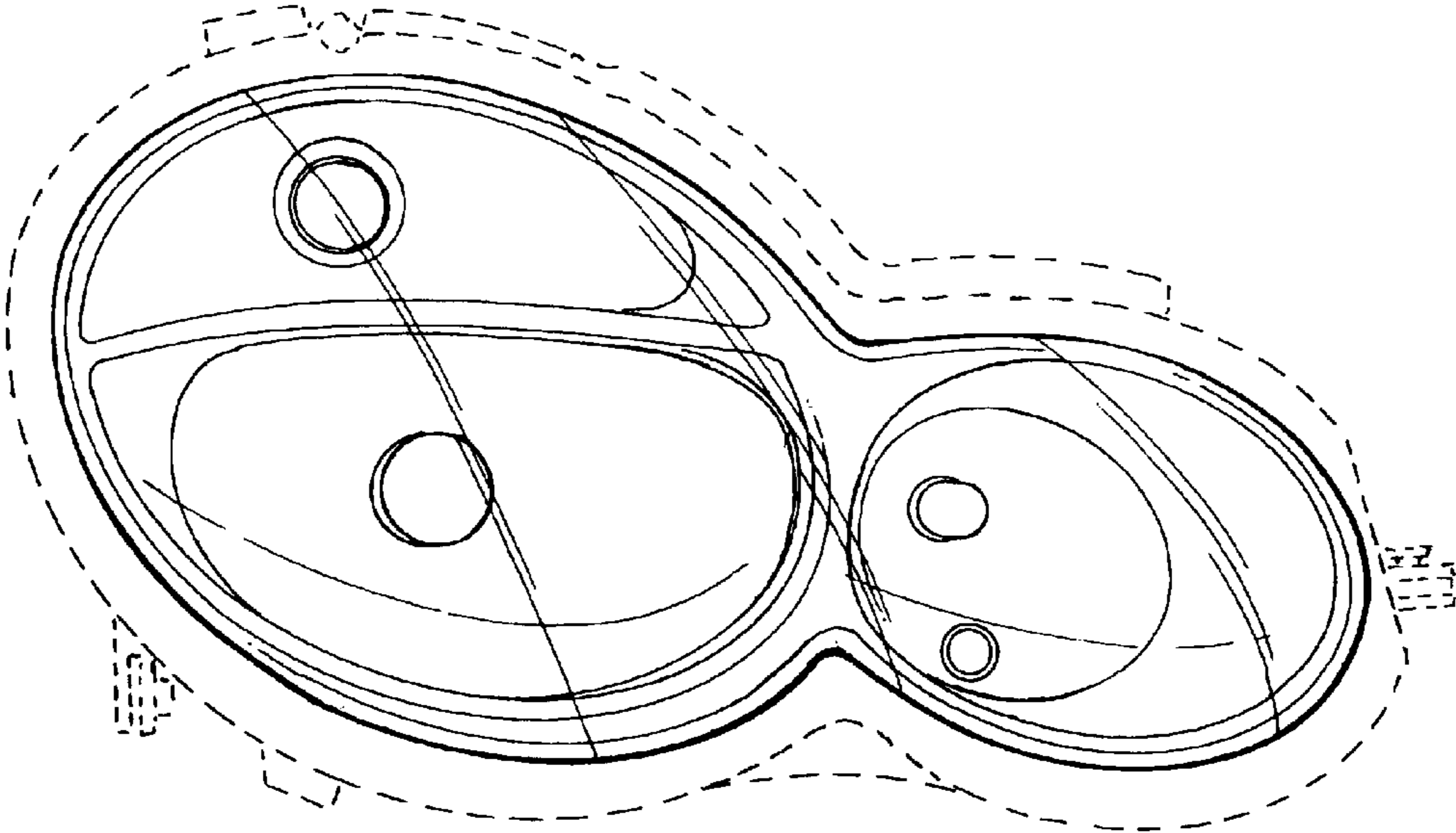


FIG. 7

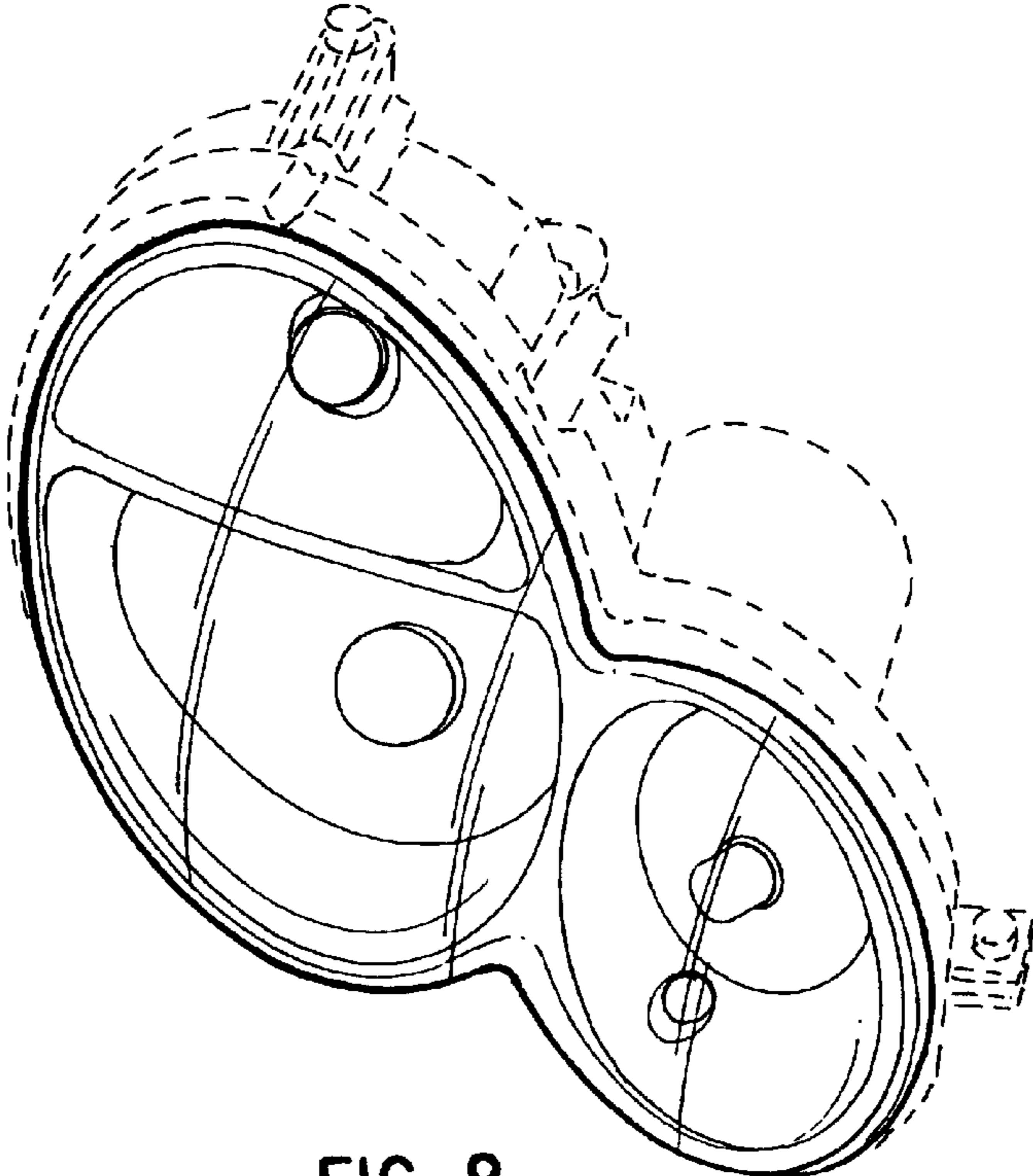


FIG. 8

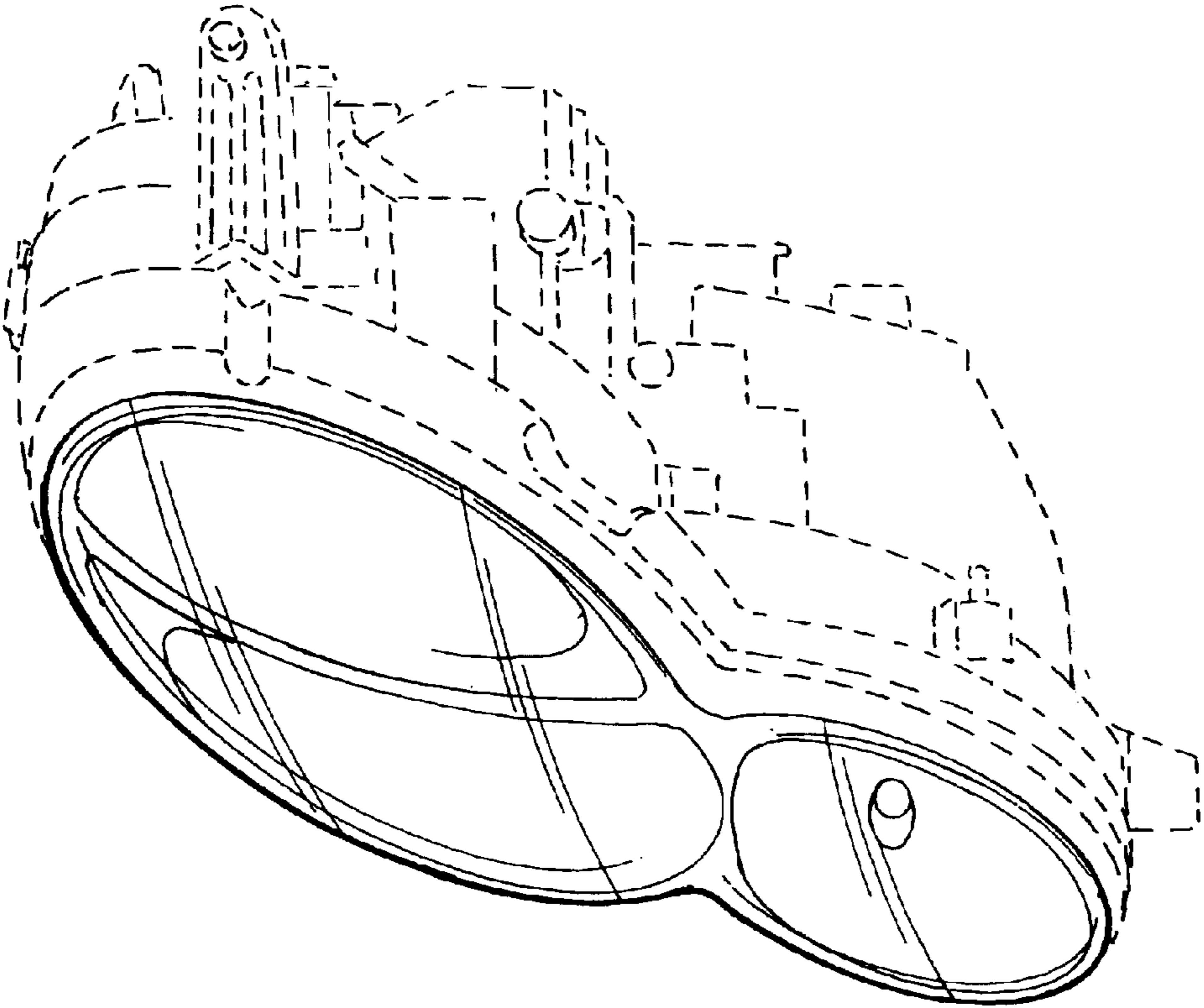


FIG. 9

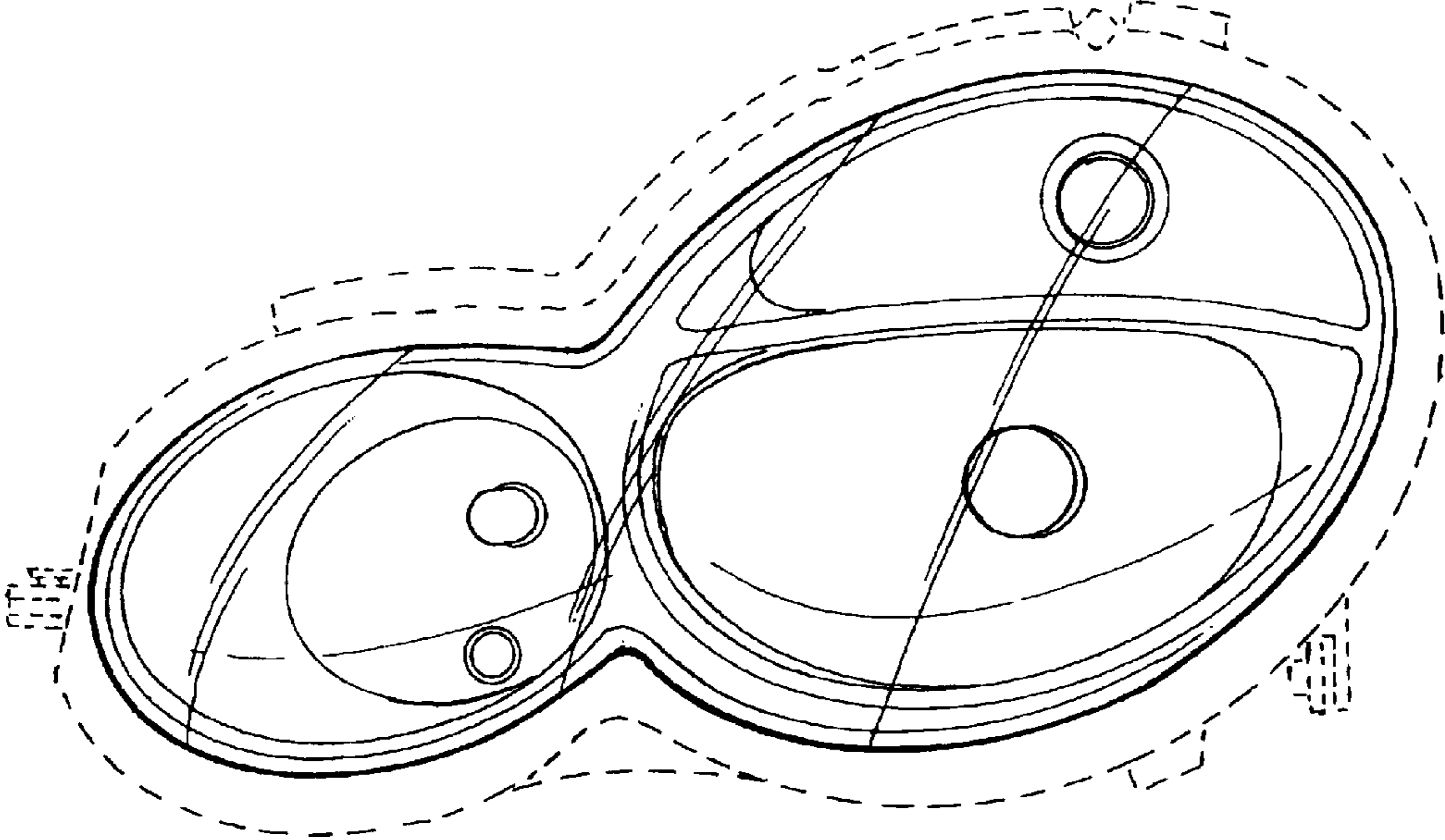


FIG. 10

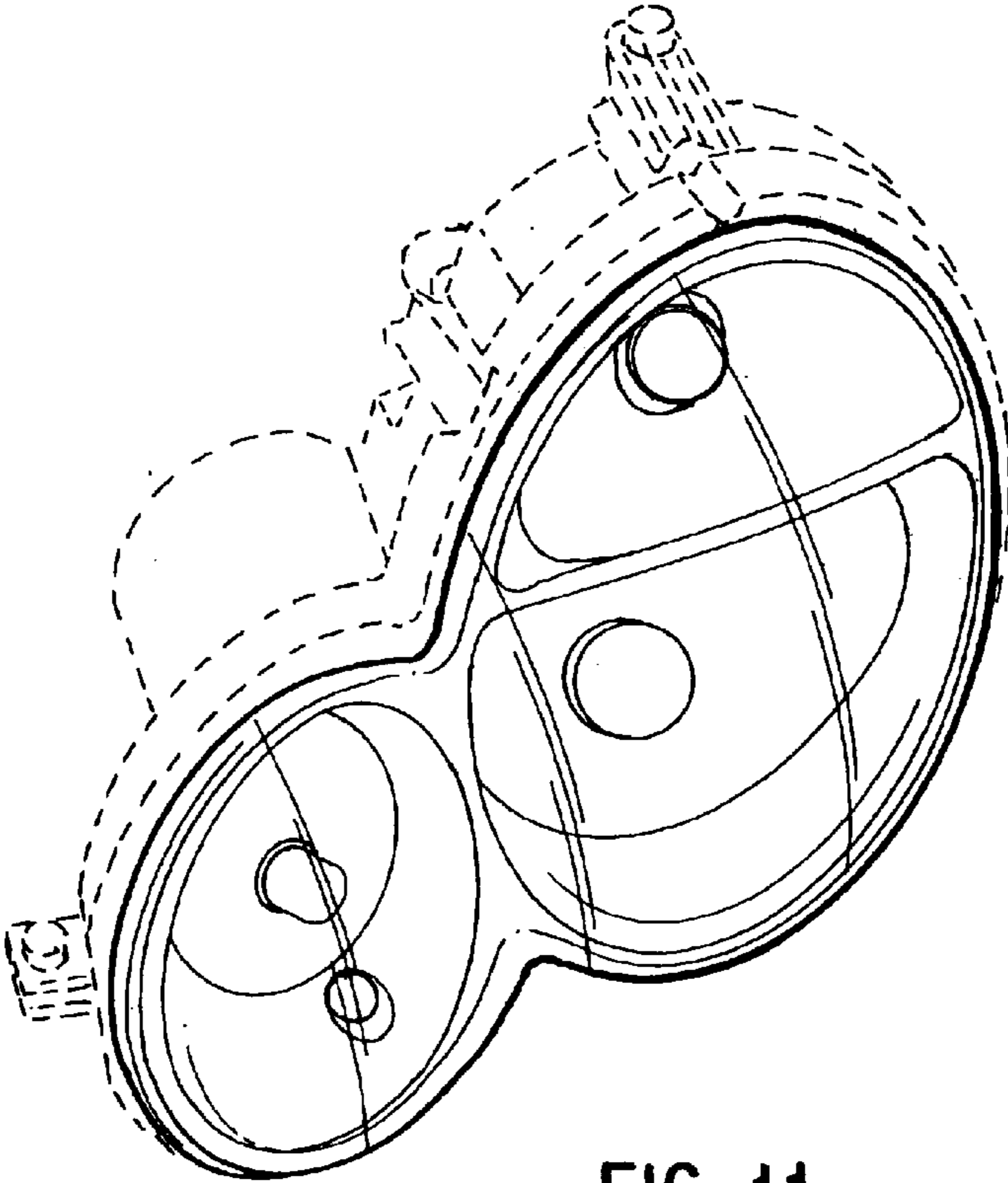


FIG. 11

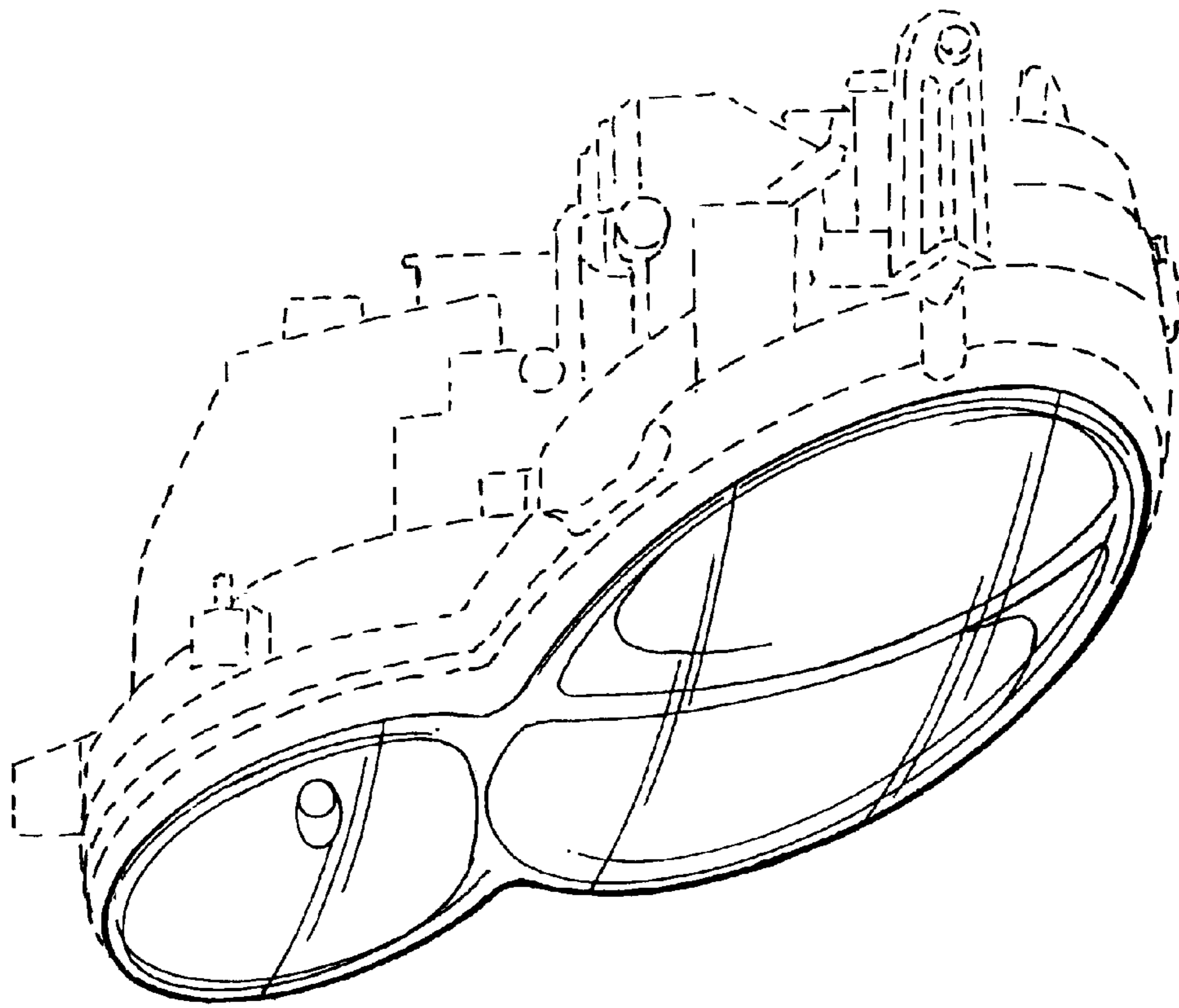


FIG. 12