

US00D494291S1

(12) **United States Design Patent**  
**Peddada**

(10) **Patent No.:** **US D494,291 S**

(45) **Date of Patent:** **\*\* Aug. 10, 2004**

(54) **CANDLE STAND**

(76) **Inventor:** **Raju Peddada**, 508 E. Lincoln Ave.,  
Des Plaines, IL (US) 60018

(\*\*) **Term:** **14 Years**

(21) **Appl. No.:** **29/187,003**

(22) **Filed:** **Jul. 24, 2003**

(51) **LOC (7) Cl.** ..... **26-01**

(52) **U.S. Cl.** ..... **D26/9**

(58) **Field of Search** ..... D26/9, 10, 13,  
D26/15, 23, 142; 431/288, 291, 295

(56) **References Cited**

**U.S. PATENT DOCUMENTS**

D361,632 S	*	8/1995	Ratia	.....	D26/10
D412,996 S	*	8/1999	Chang	.....	D26/9
D434,862 S	*	12/2000	Fait	.....	D26/9
D475,148 S	*	5/2003	Hatton	.....	D26/9

\* cited by examiner

*Primary Examiner*—Robin V. Taylor

(74) *Attorney, Agent, or Firm*—Marshall E. Rosenberg

(57) **CLAIM**

The ornamental design for a candle stand, as shown and described.

**DESCRIPTION**

FIG. 1 is a side elevational view of the candle stand of the present invention showing my new design.

FIG. 2 is a second side view of the candle stand shown in FIG. 1.

FIG. 3 is a third side view of the candle stand shown in FIG. 1.

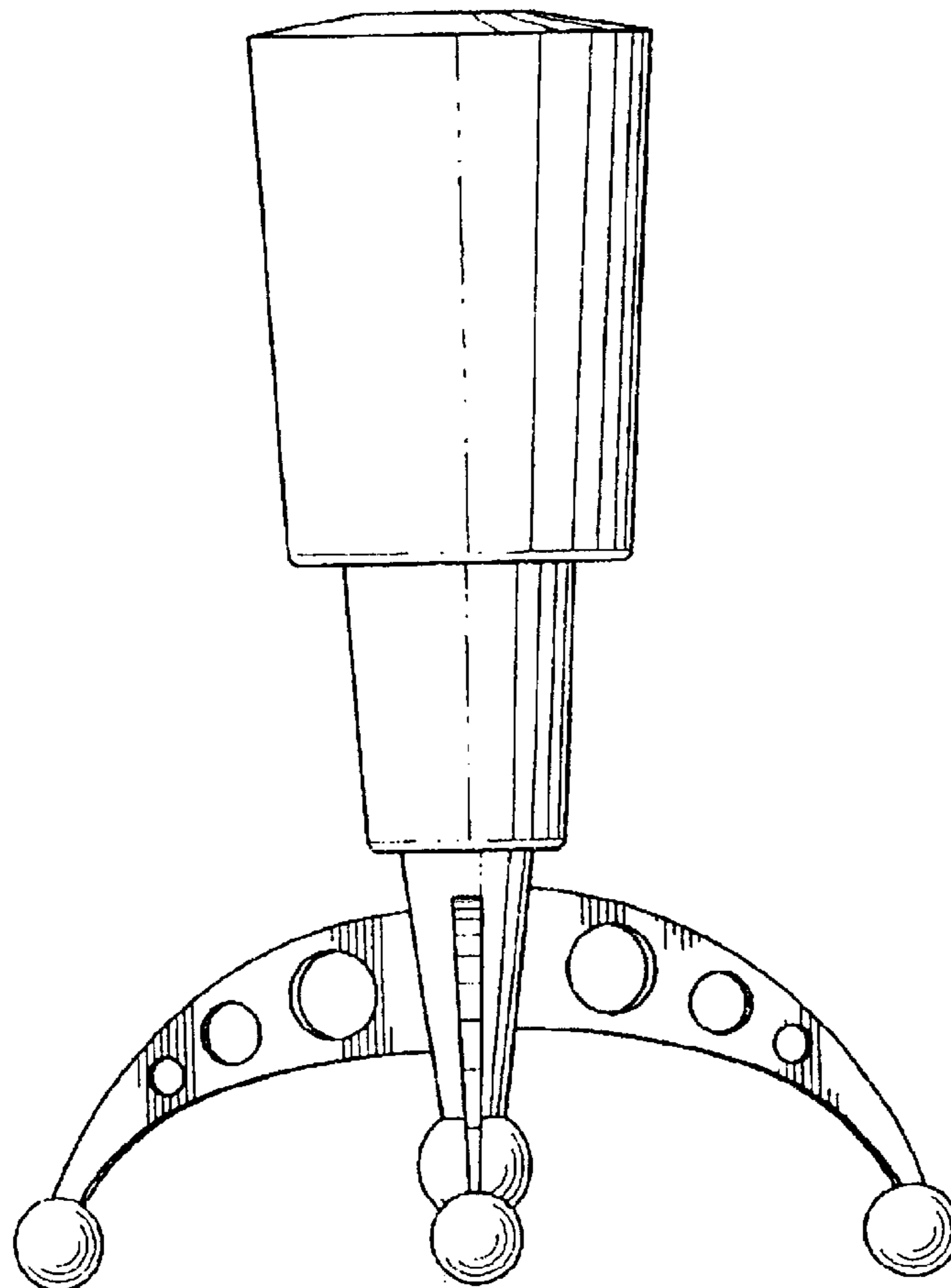
FIG. 4 is a top view of the candle stand shown in FIG. 1, further showing a cap received within the candle stand having a candle-receiving recess.

FIG. 5 is a bottom view of the candle stand shown in FIG. 1.

FIG. 6 is a top view of the candle stand shown in FIG. 1, without the candle-receiving cap shown in FIG. 4; and,

FIG. 7 is a side elevational view of the candle stand shown in FIG. 6.

**1 Claim, 3 Drawing Sheets**



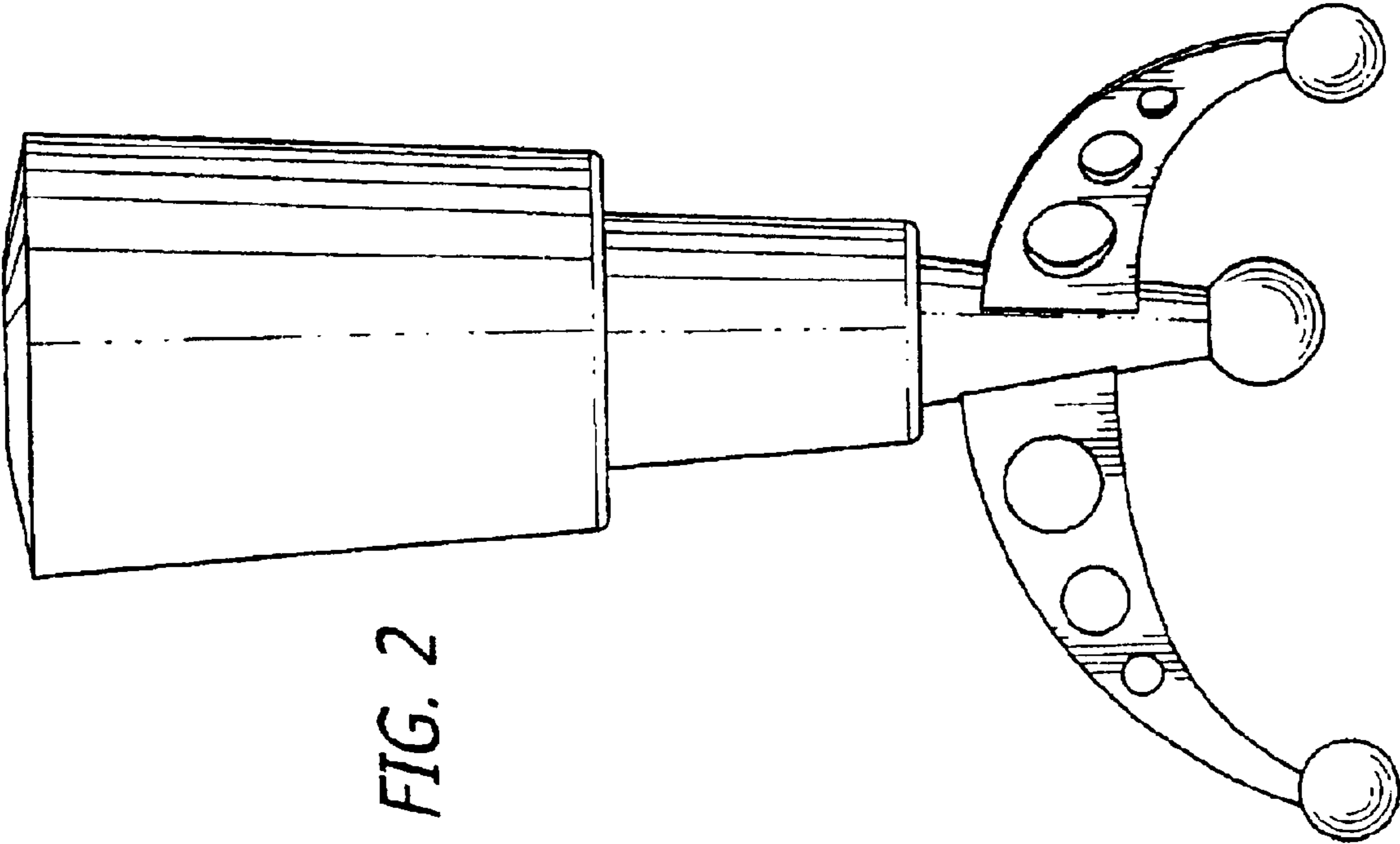


FIG. 2

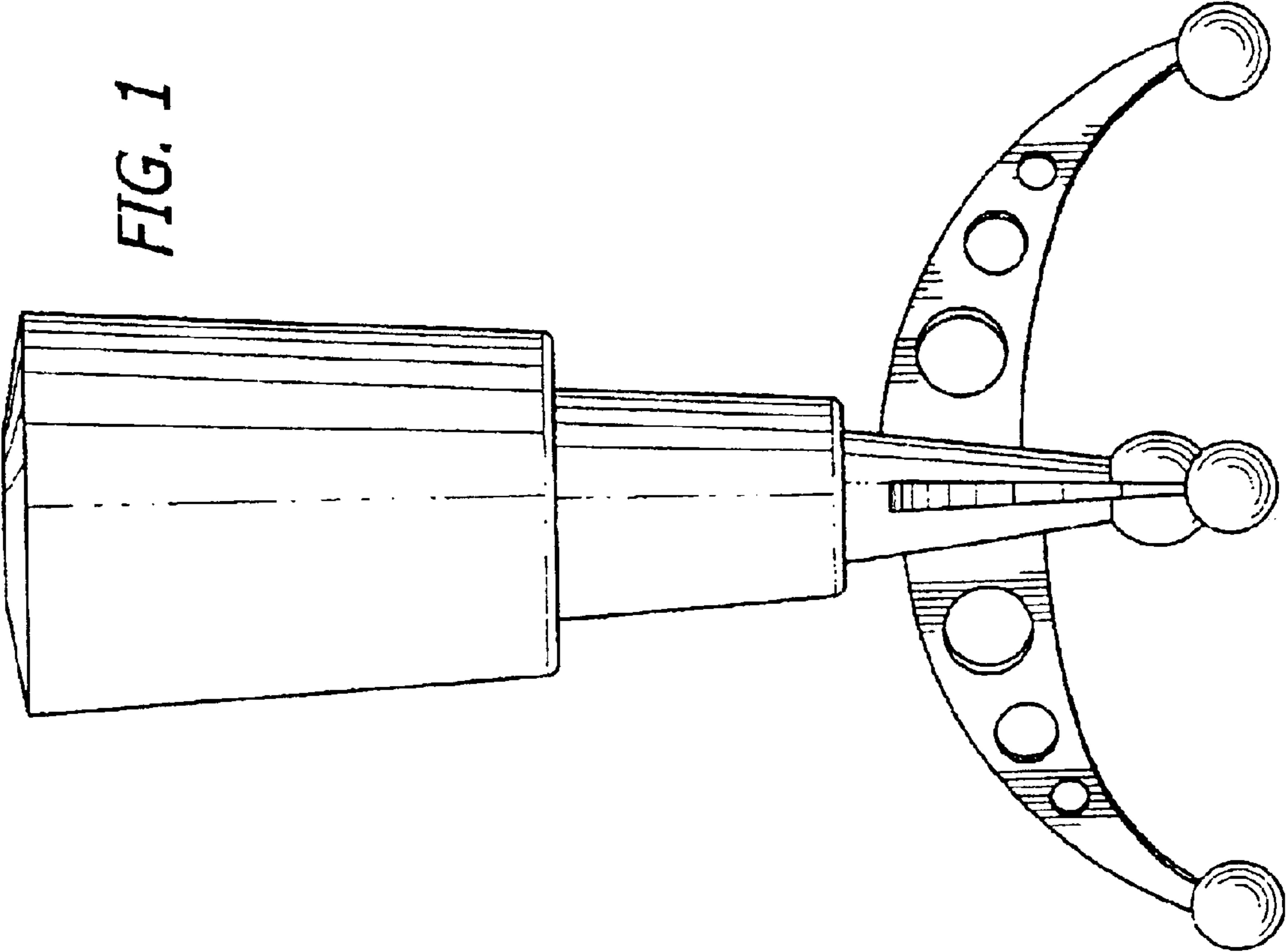
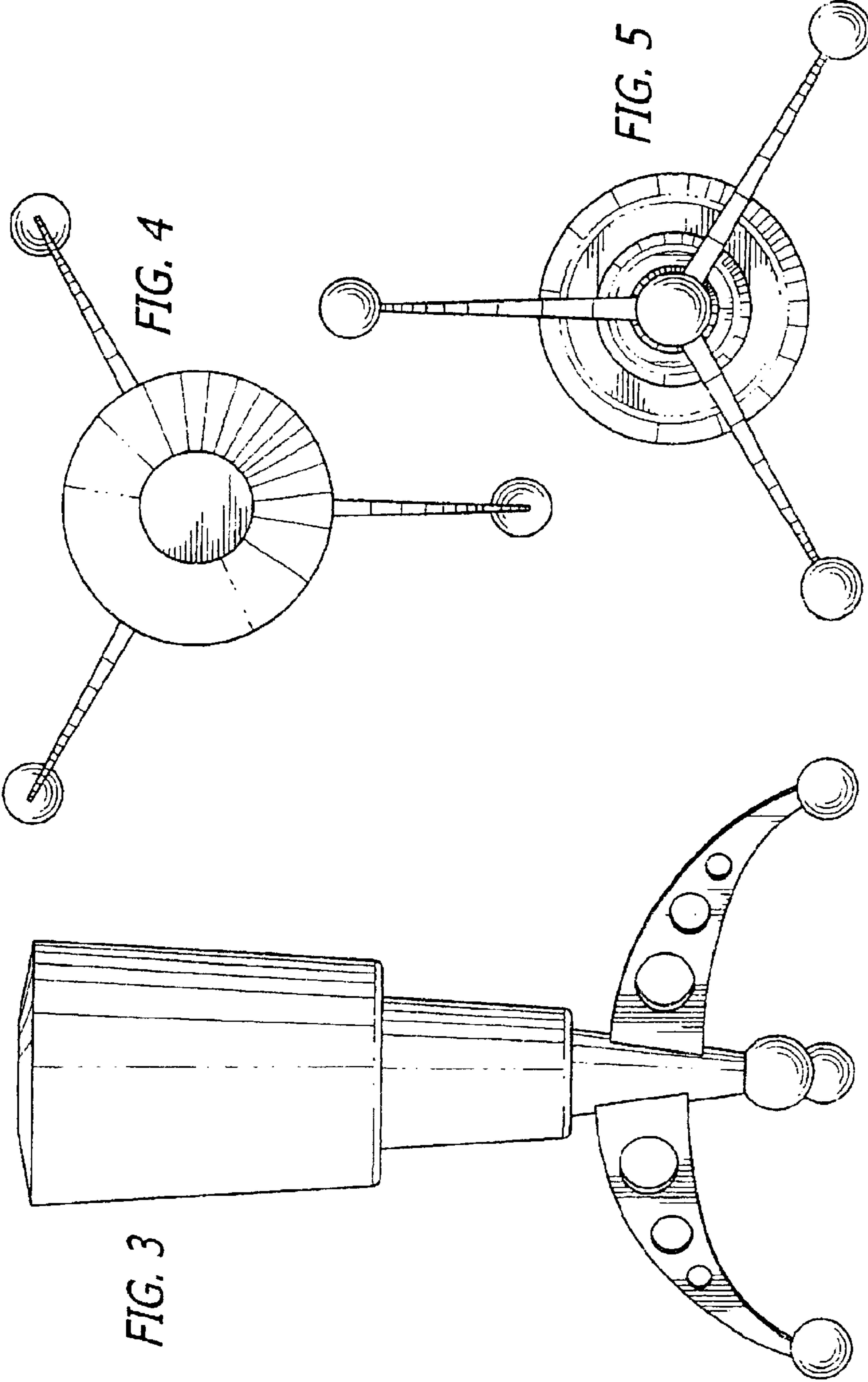


FIG. 1



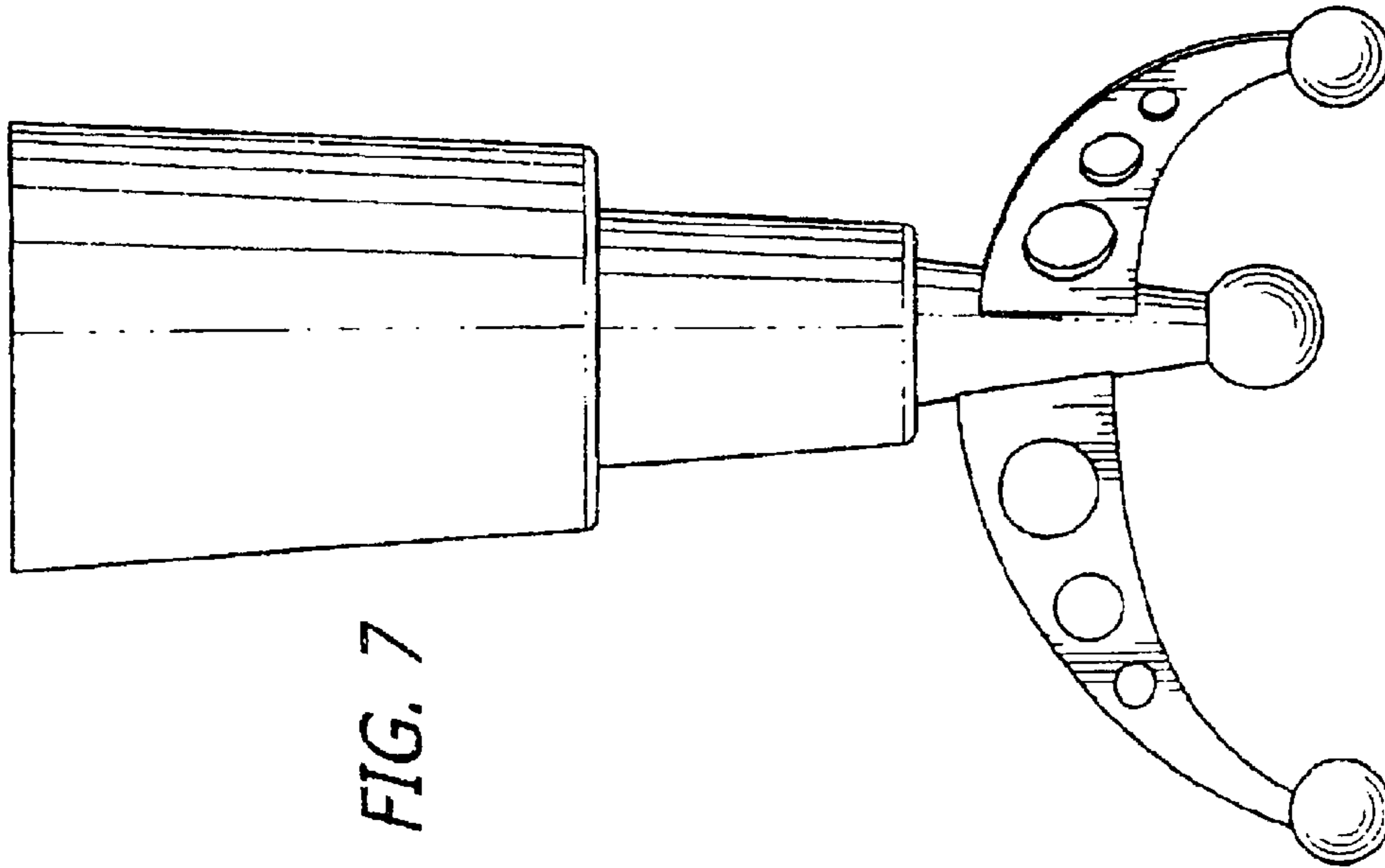


FIG. 7

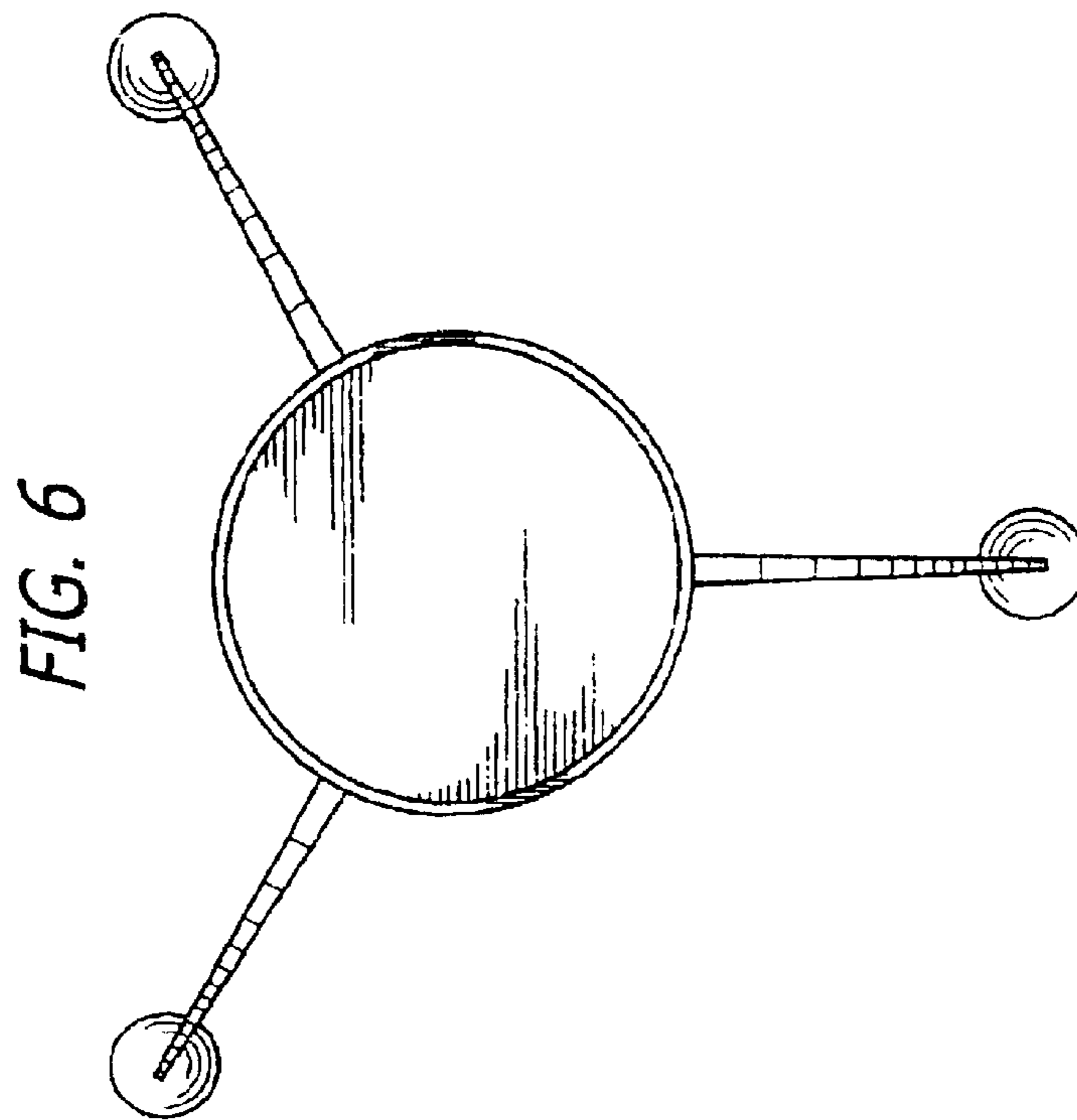


FIG. 6