

US00D494290S1

(12) **United States Design Patent**
Trifu et al.

(10) **Patent No.:** **US D494,290 S**

(45) **Date of Patent:** **** Aug. 10, 2004**

(54) **ULTRAVIOLET DEVICE**

(75) Inventors: **Horea Gheorghe Trifu**, Toronto (CA);
Jon N. Baswick, Burlington (CA);
Raymond L. R. Morrish, Ajax (CA);
Antonios Efantis, Don Mills (CA);
Faiek Dabiet, Thornhill (CA); **Cynthia Desjardins**, Toronto (CA); **Douglas Pilch**, Brampton (CA)

(73) Assignee: **Allanson International Inc.**, Ontario (CA)

(**) Term: **14 Years**

(21) Appl. No.: **29/193,254**

(22) Filed: **Nov. 7, 2003**

(51) **LOC (7) Cl.** **26-04**

(52) **U.S. Cl.** **D26/3**

(58) **Field of Search** D26/1-4; 313/313,
313/315, 317, 318, 110, 113, 116, 493;
315/56, 57, 58, 73

(56) **References Cited**

U.S. PATENT DOCUMENTS

D304,502 S * 11/1989 Heidemann et al. D26/3

D340,296 S * 10/1993 Bachetzky et al. D26/3
D365,885 S * 1/1996 Sangen et al. D26/3
D383,224 S * 9/1997 Sangen et al. D26/3

* cited by examiner

Primary Examiner—Marcus A. Jackson

(74) *Attorney, Agent, or Firm*—Eugene J.A. Gierczak

(57) **CLAIM**

The ornamental design for the “ultraviolet device,” as shown and described.

DESCRIPTION

FIG. 1 is a perspective view taken from the left and above the ultraviolet device.

FIG. 2 is a perspective view taken from the right and below the ultraviolet device.

FIG. 3 is a side elevational view of the ultraviolet device in FIG. 2.

FIG. 4 is one end view of the ultraviolet device in FIG. 1.

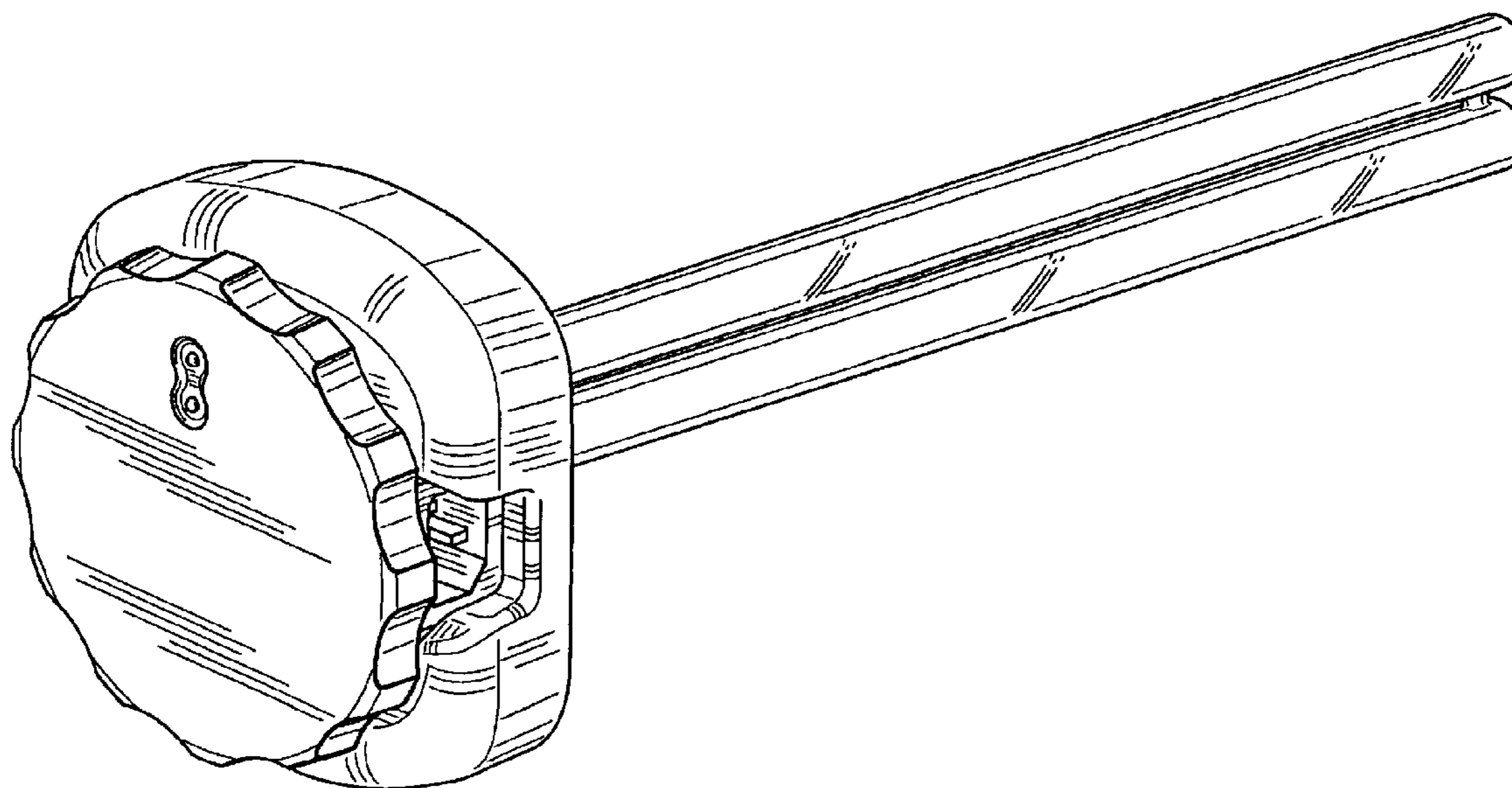
FIG. 5 is another side elevational view of the device as shown in FIG. 1.

FIG. 6 is another end view of the ultraviolet device as shown in FIG. 2.

FIG. 7 is a top elevational view of FIG. 1; and,

FIG. 8 is a bottom elevational view of FIG. 1.

1 Claim, 5 Drawing Sheets



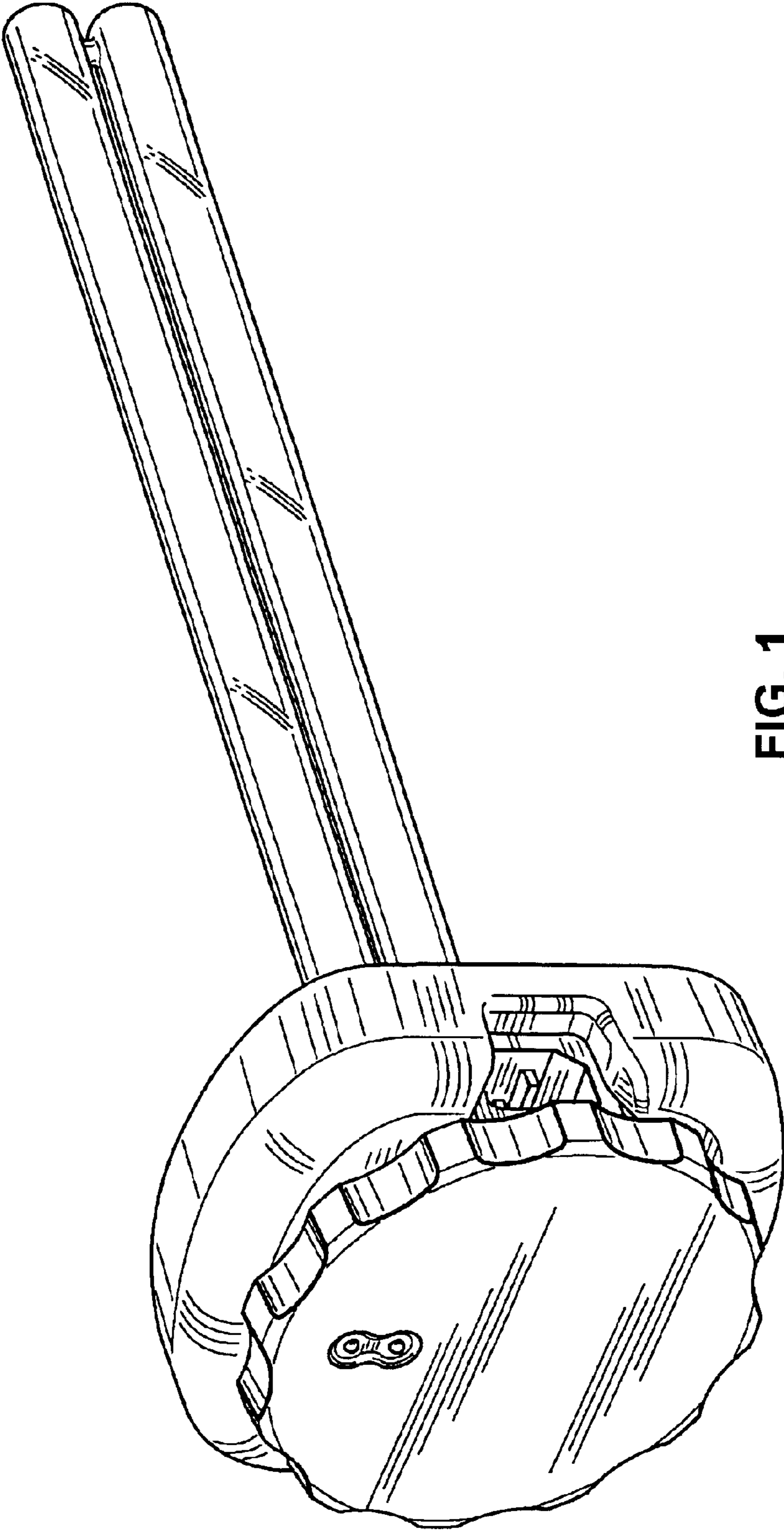


FIG. 1

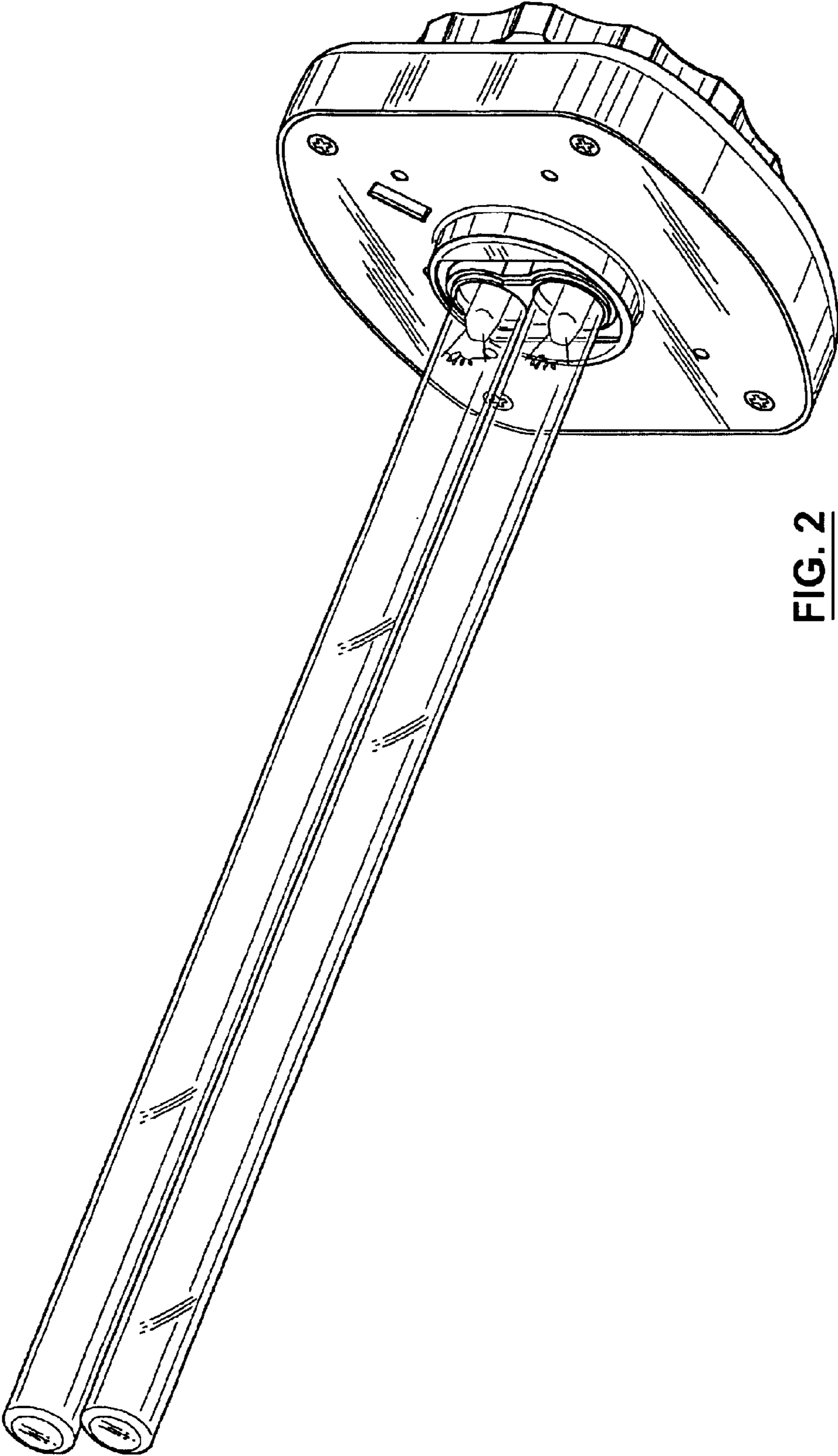


FIG. 2

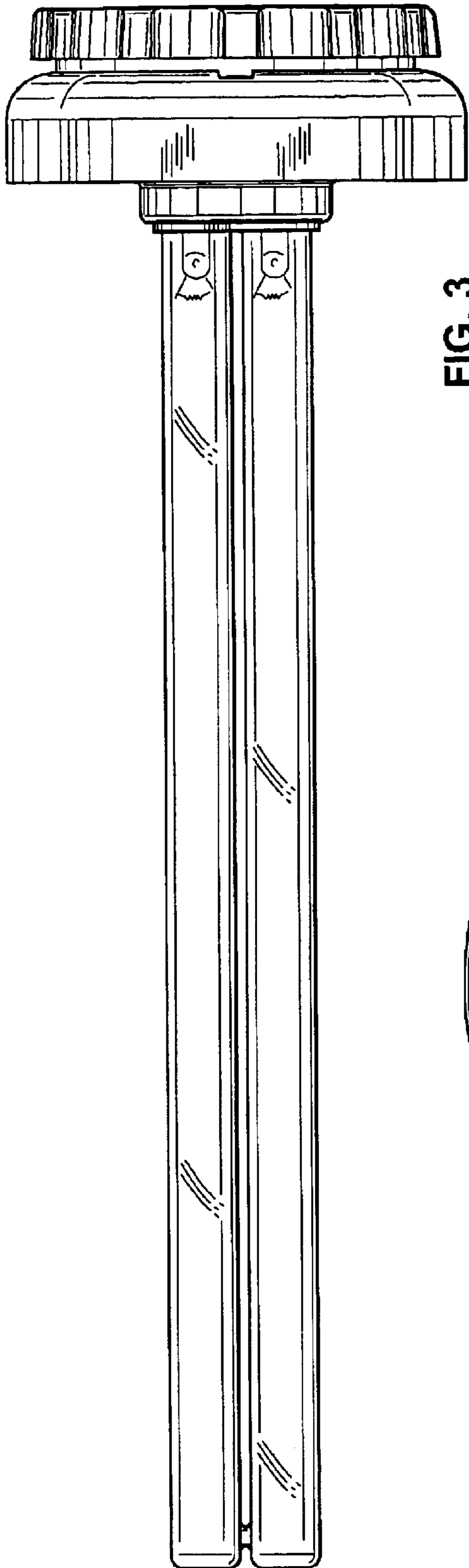


FIG. 3

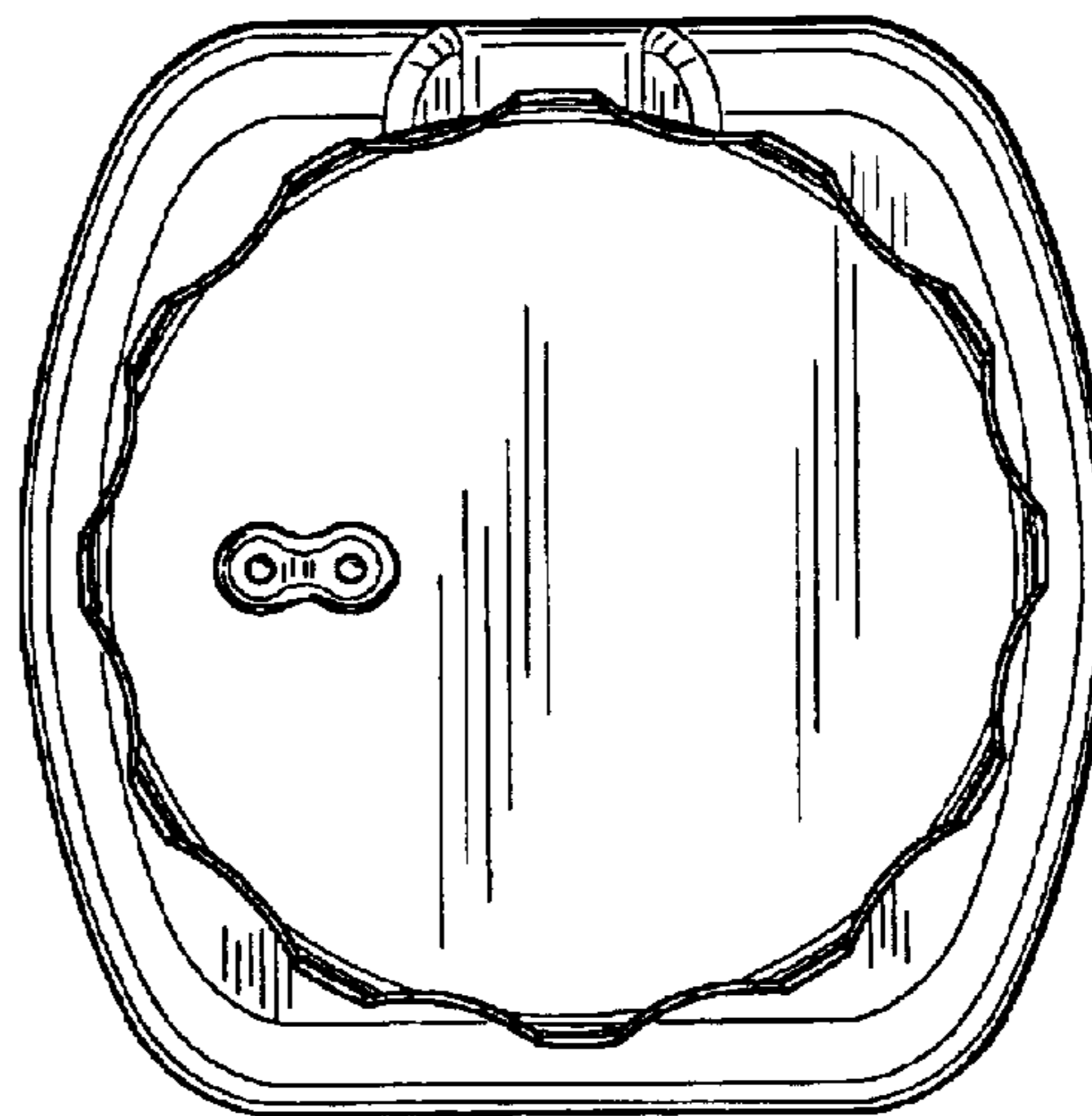


FIG. 4

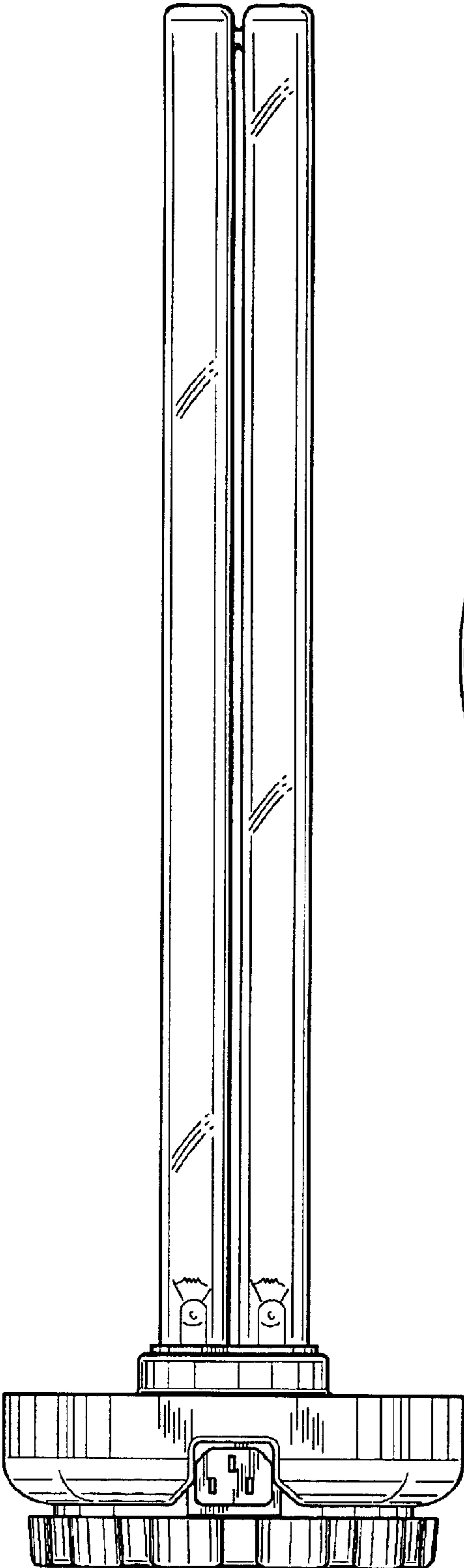


FIG. 5

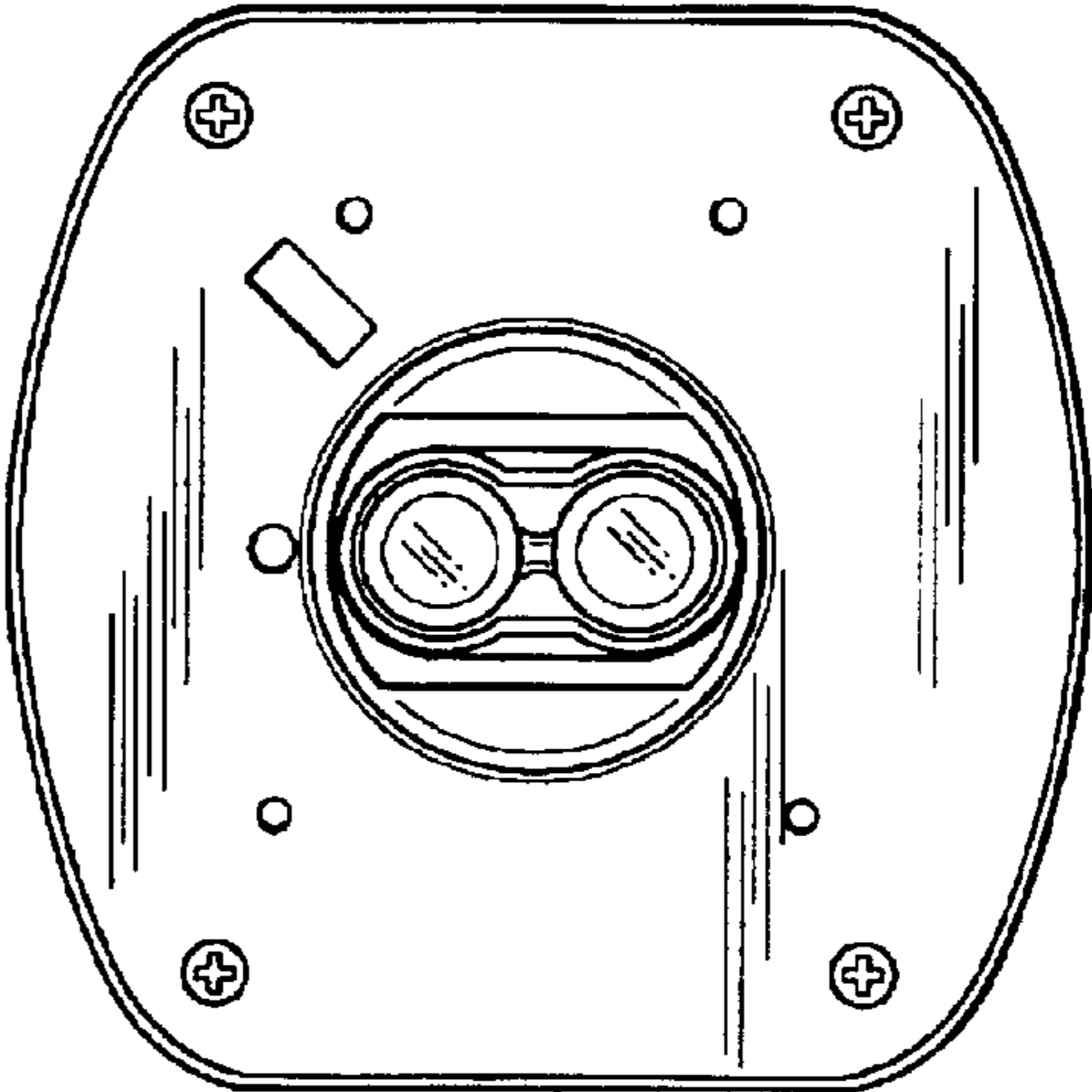


FIG. 6

FIG. 7

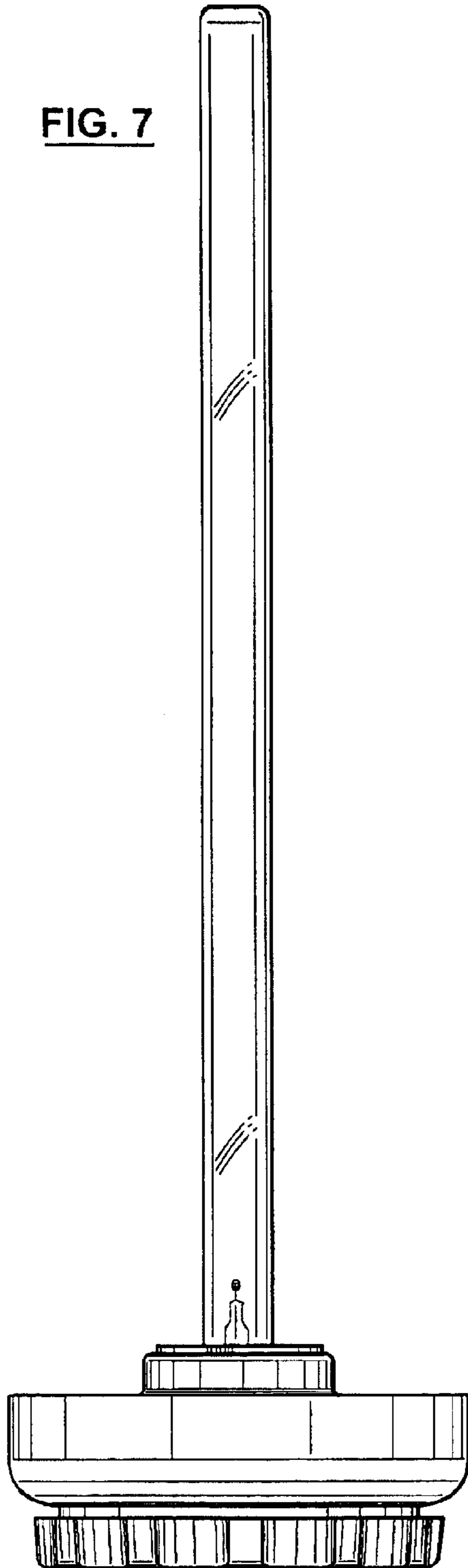


FIG. 8

