

US00D494286S1

(12) **United States Design Patent** (10) **Patent No.:** **US D494,286 S**  
**Matsui et al.** (45) **Date of Patent:** **\*\* Aug. 10, 2004**

(54) **LIGHT EMITTING DIODE LAMP UNIT**

FOREIGN PATENT DOCUMENTS

(75) Inventors: **Nobuyuki Matsui**, Osaka (JP);  
**Masanori Shimizu**, Kyoto (JP)

JP	808266	2/1991
JP	808267	2/1991

(73) Assignee: **Matsushita Electric Industrial Co., Ltd.**, Kadoma (JP)

\* cited by examiner

(\*\*) Term: **14 Years**

*Primary Examiner*—Philip S. Hyder  
*Assistant Examiner*—Selina Sikder

(21) Appl. No.: **29/186,989**

(74) *Attorney, Agent, or Firm*—Christensen O'Connor Johnson Kindness PLLC

(22) Filed: **Jul. 24, 2003**

(57) **CLAIM**

(30) **Foreign Application Priority Data**

The ornamental design for a light emitting diode lamp unit, as shown and described.

Jan. 27, 2003 (JP) ..... 2003-001674

**DESCRIPTION**

(51) **LOC (7) Cl.** ..... **26-06**

(52) **U.S. Cl.** ..... **D26/2; D13/180**

(58) **Field of Search** ..... D26/2; D13/180,  
D13/182; 313/113, 315, 317, 318, 493,  
500; 362/231, 235, 237, 241, 249, 240,  
545, 555; 345/83

FIG. 1 is a perspective view of the front, bottom and right side of a light emitting diode lamp unit showing our new design;

FIG. 2 is a front view thereof;

FIG. 3 is a top plan view thereof, the bottom plan view being a mirror image thereof;

FIG. 4 is a right side view thereof, the left side view being a mirror image;

FIG. 5 is a rear view thereof;

FIG. 6 is a perspective view thereof showing the condition of raising the LED module part; and,

FIG. 7 is a perspective view thereof showing the condition of taking the LED module part out.

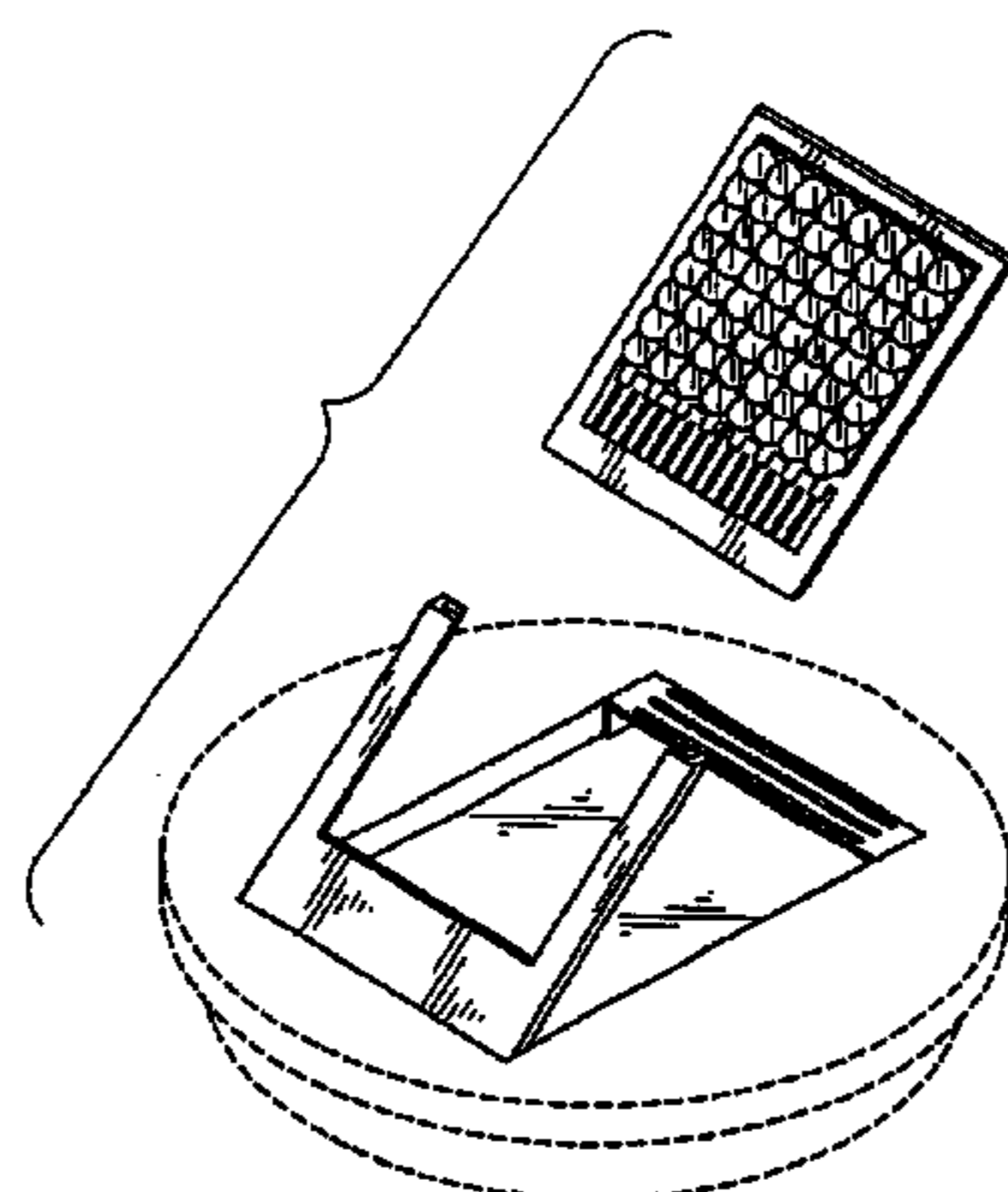
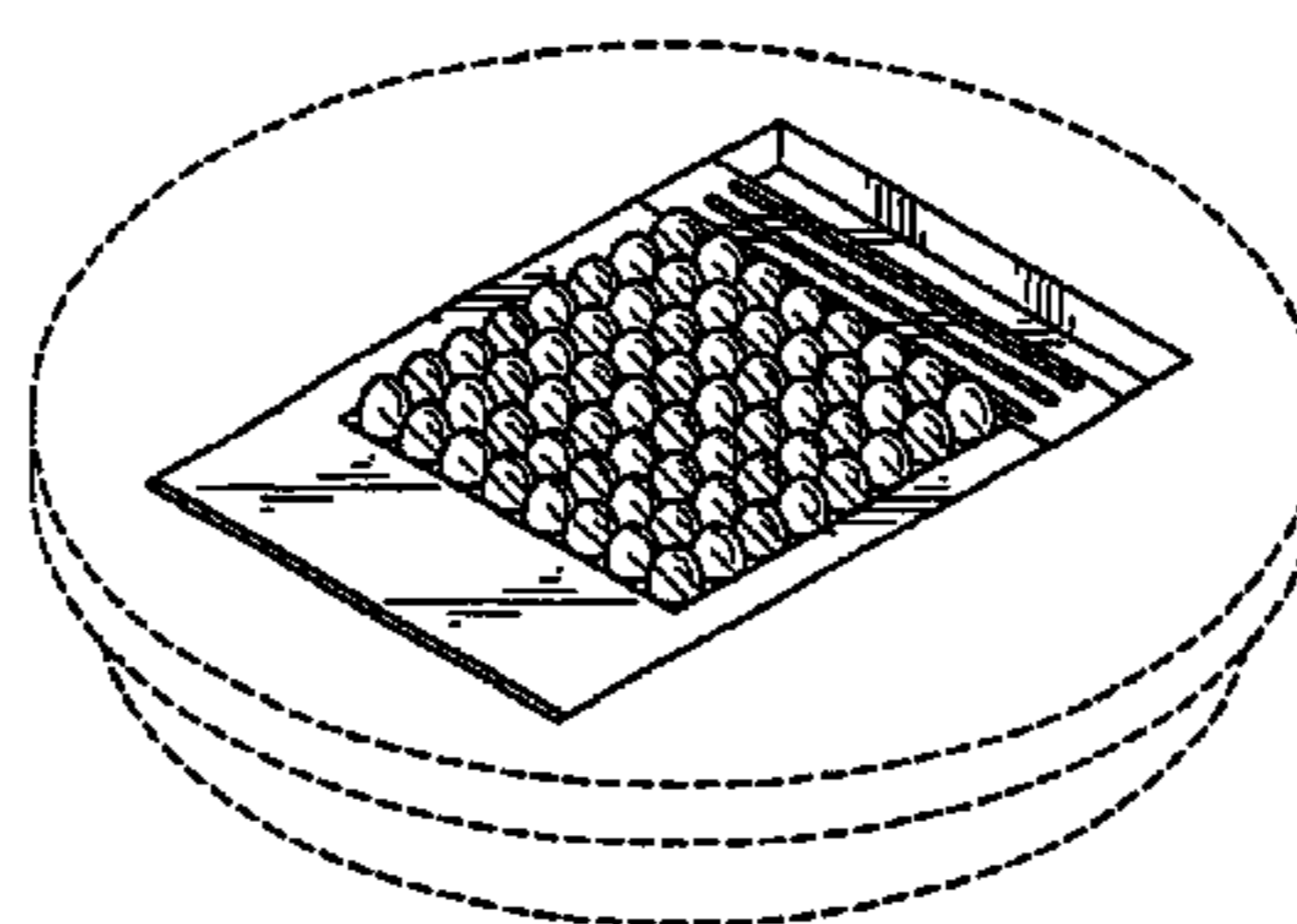
The broken line showing of the environment is for illustrative purpose only and forms no part of the claimed design.

(56) **References Cited**

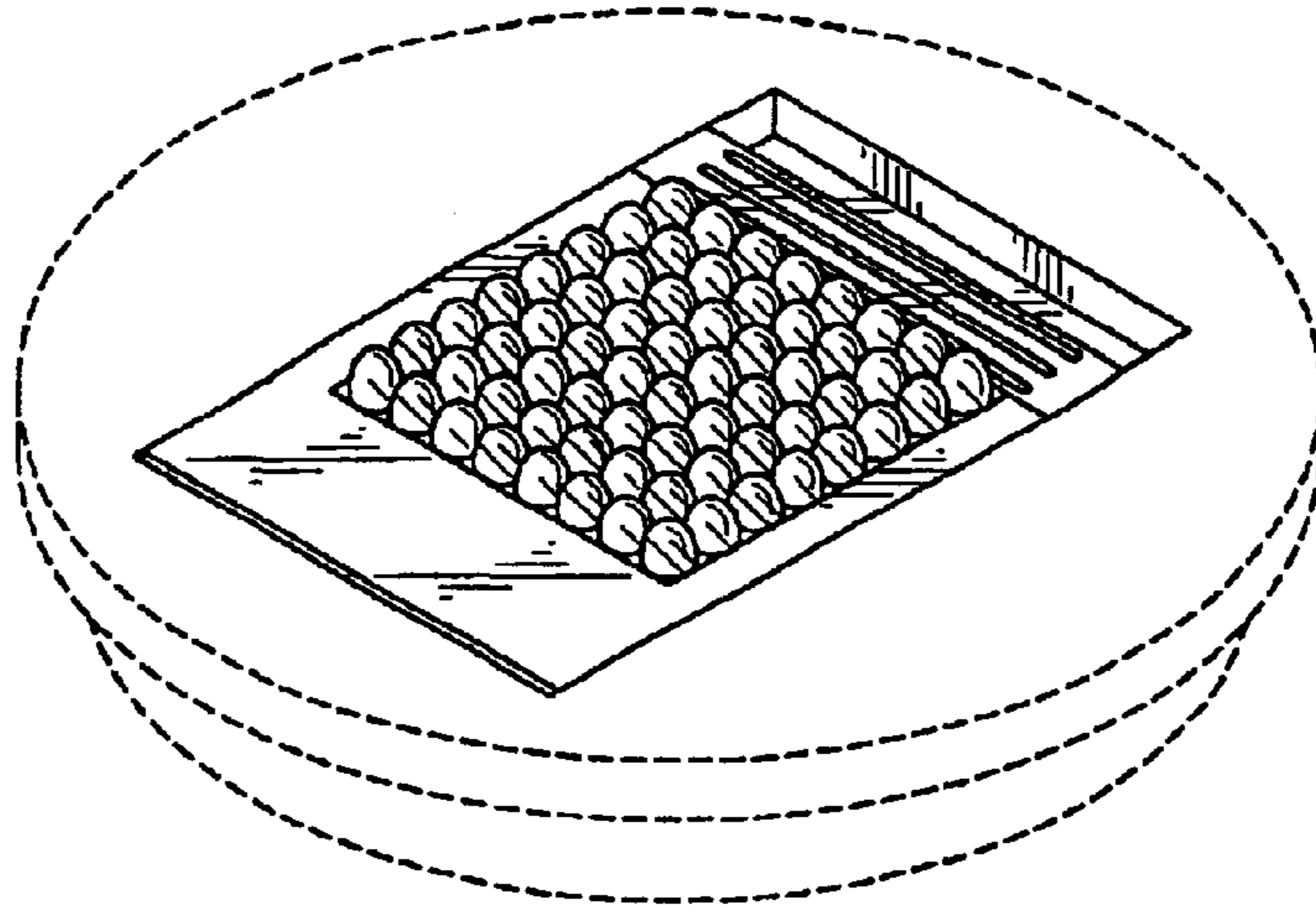
**U.S. PATENT DOCUMENTS**

D262,405	S	*	12/1981	Zabransky	.....	D26/2
5,808,592	A	*	9/1998	Mizutani et al.	.....	345/83
6,220,722	B1	*	4/2001	Begemann	.....	362/231
6,502,956	B1	*	1/2003	Wu	.....	362/237
D474,848	S	*	5/2003	Lodhie	.....	D26/2
6,659,632	B2	*	12/2003	Chen	.....	362/545
2003/0025450	A1	*	2/2003	Katayama et al.	.....	313/512
2003/0117803	A1	*	6/2003	Chen	.....	362/276
2003/0189829	A1	*	10/2003	Shimizu et al.	.....	362/240

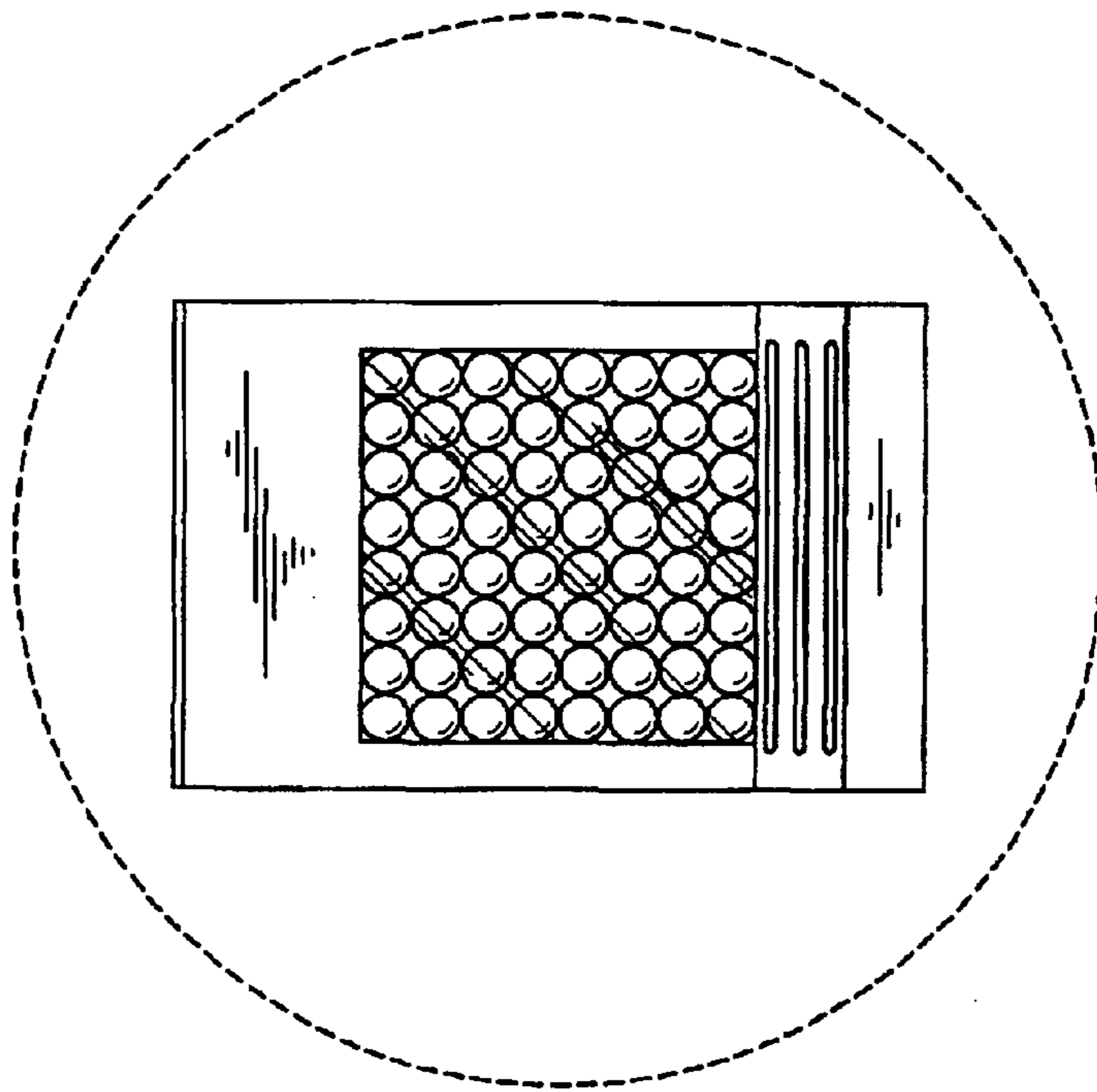
**1 Claim, 3 Drawing Sheets**



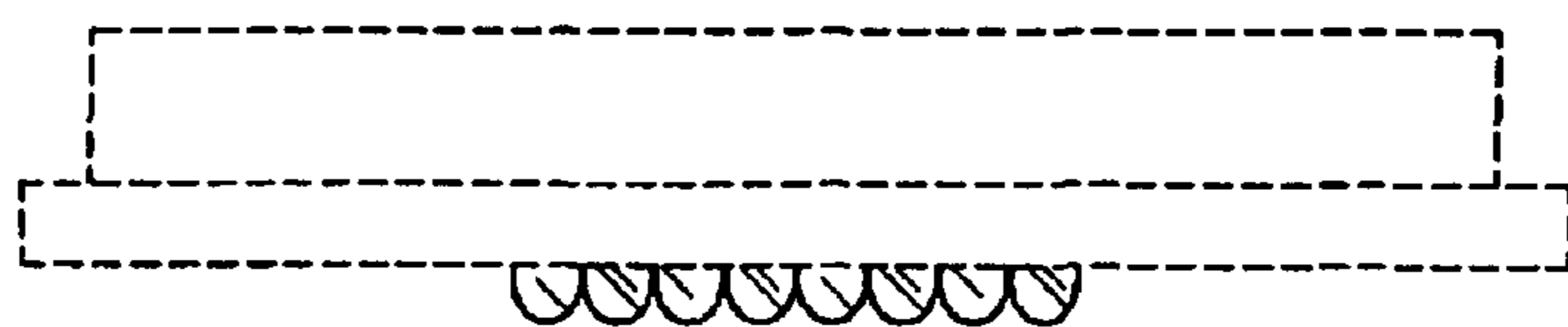
**FIG. 1**



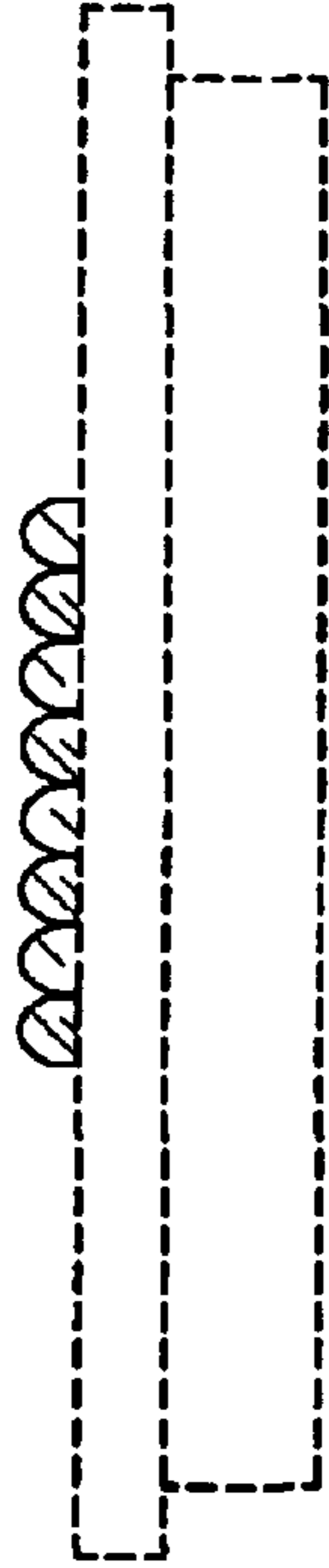
**FIG. 2**



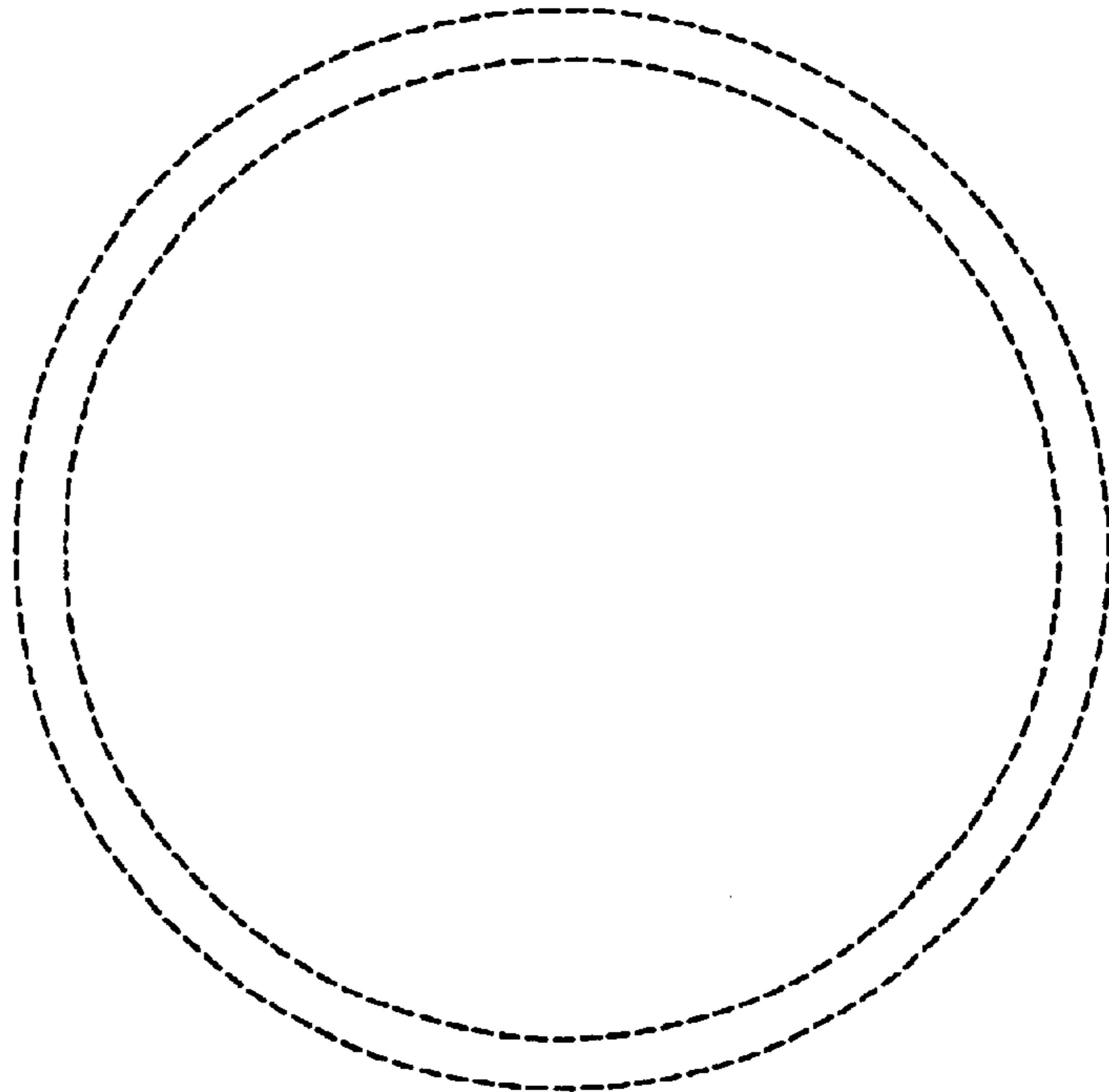
**FIG. 3**



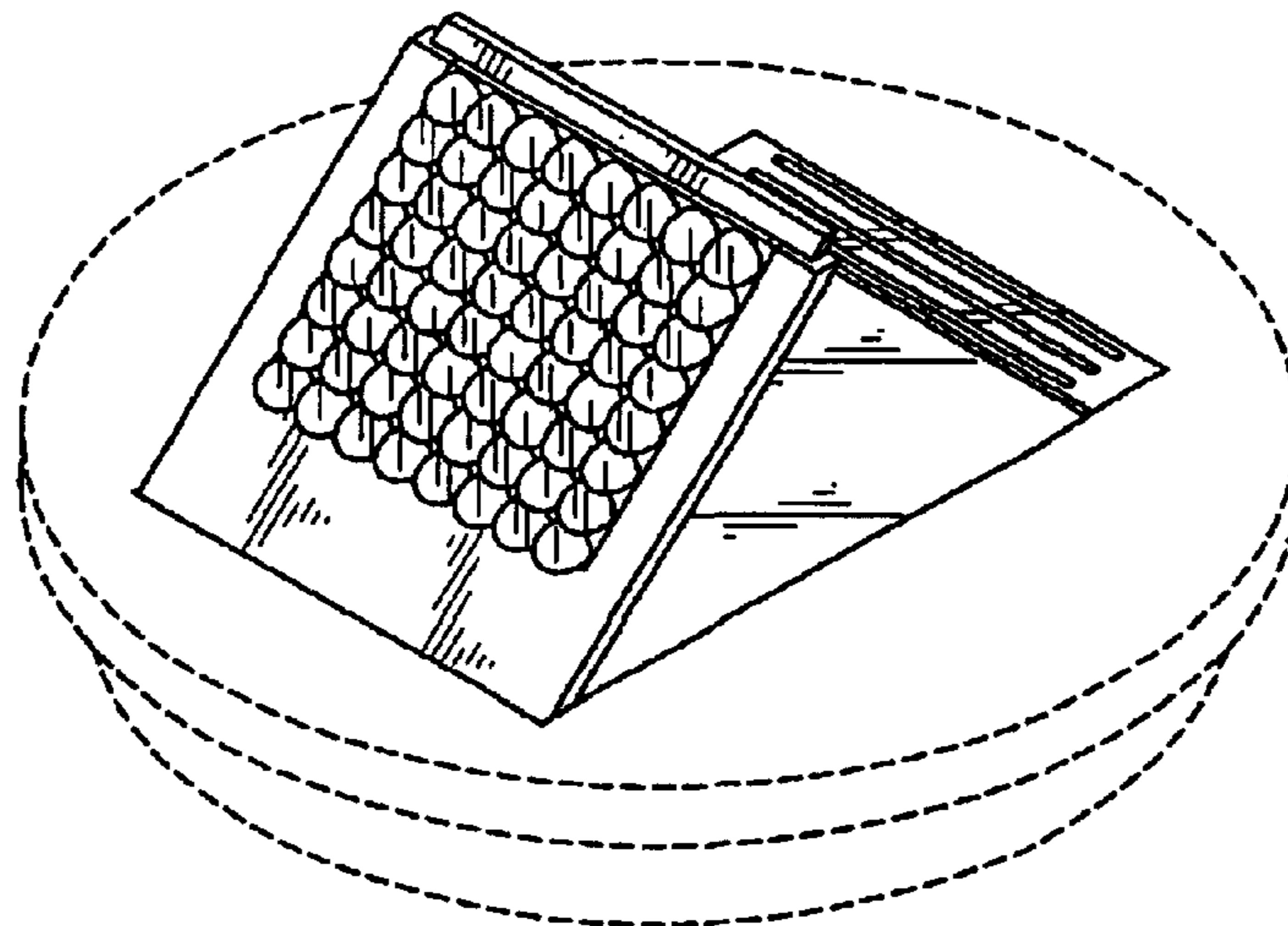
**FIG. 4**



**FIG. 5**



**FIG. 6**



*FIG. 7*

