



US00D494275S1

(12) **United States Design Patent**  
**Whitehead**

(10) **Patent No.: US D494,275 S**

(45) **Date of Patent: \*\* Aug. 10, 2004**

(54) **TRIPLE TOOTH IMPLANT SUBSTRUCTURE**

D471,629 S 3/2003 Whitehead ..... D24/156

(76) **Inventor: George M. Whitehead**, 6226 196th St.  
SW., Suite 2-B, Lynnwood, WA (US)  
98036

\* cited by examiner

*Primary Examiner*—Brian N Vinson

(74) *Attorney, Agent, or Firm*—Dean A. Craine

(\*\*) **Term: 14 Years**

(57) **CLAIM**

(21) **Appl. No.: 29/178,681**

The ornamental design for a triple tooth implant substructure, as shown and described.

(22) **Filed: Mar. 27, 2003**

**DESCRIPTION**

(51) **LOC (7) Cl. .... 24-03**

(52) **U.S. Cl. .... D24/156**

(58) **Field of Search** ..... D24/156; 433/172-74,  
433/180-83, 167, 229

FIG. 1 is a perspective view of a triple tooth implant substructure.

FIG. 2 is a front elevational view of the invention.

FIG. 3 is a left side elevational view of the invention.

FIG. 4 is a right side elevational view of the invention.

FIG. 5 is a top plan view of the invention.

FIG. 6 is a bottom plan view of the invention.

FIG. 7 is a rear elevational view of the invention; and,

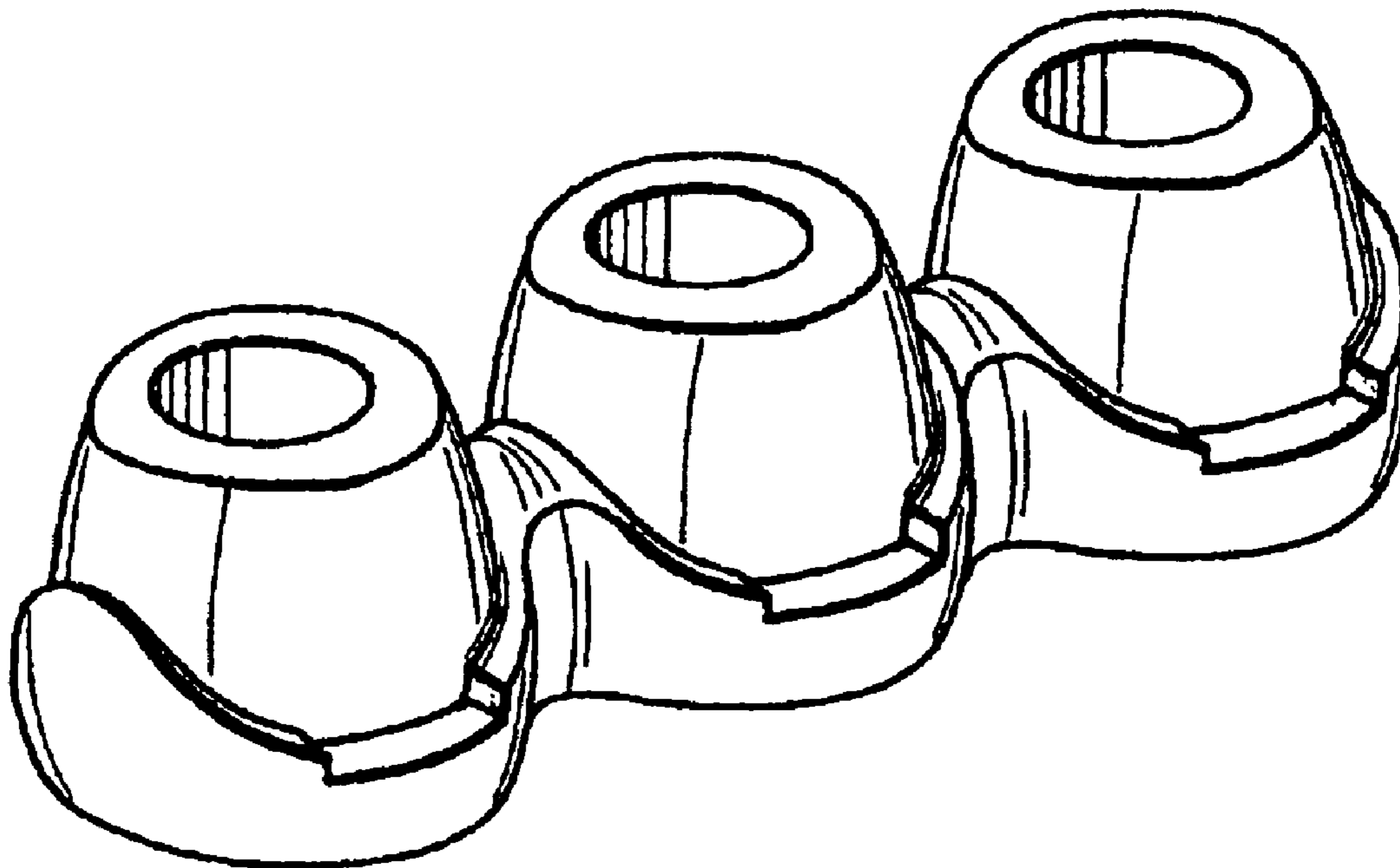
FIG. 8 is a sectional, side elevational view of the invention taken along line 8—8 in FIG. 2.

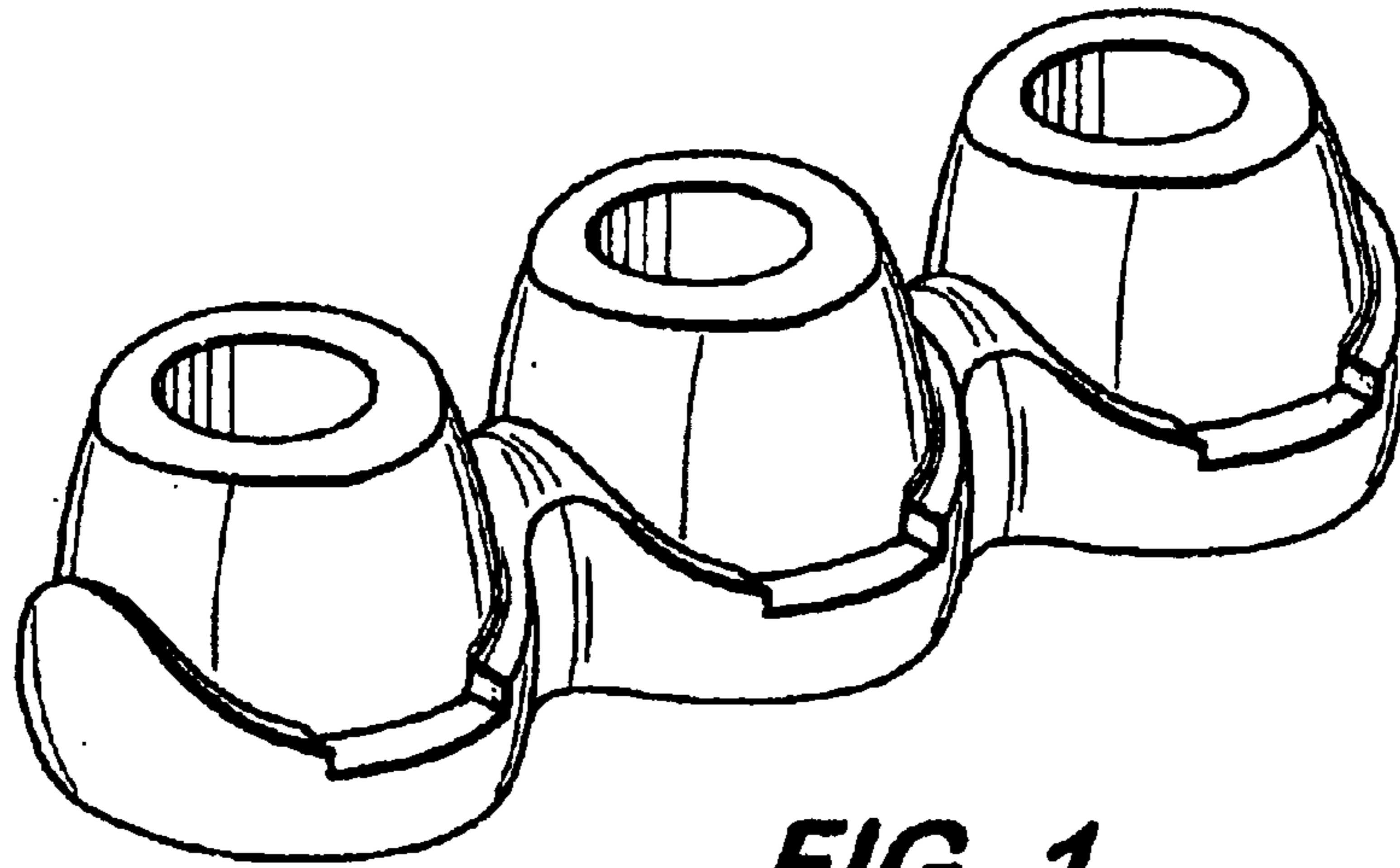
(56) **References Cited**

**U.S. PATENT DOCUMENTS**

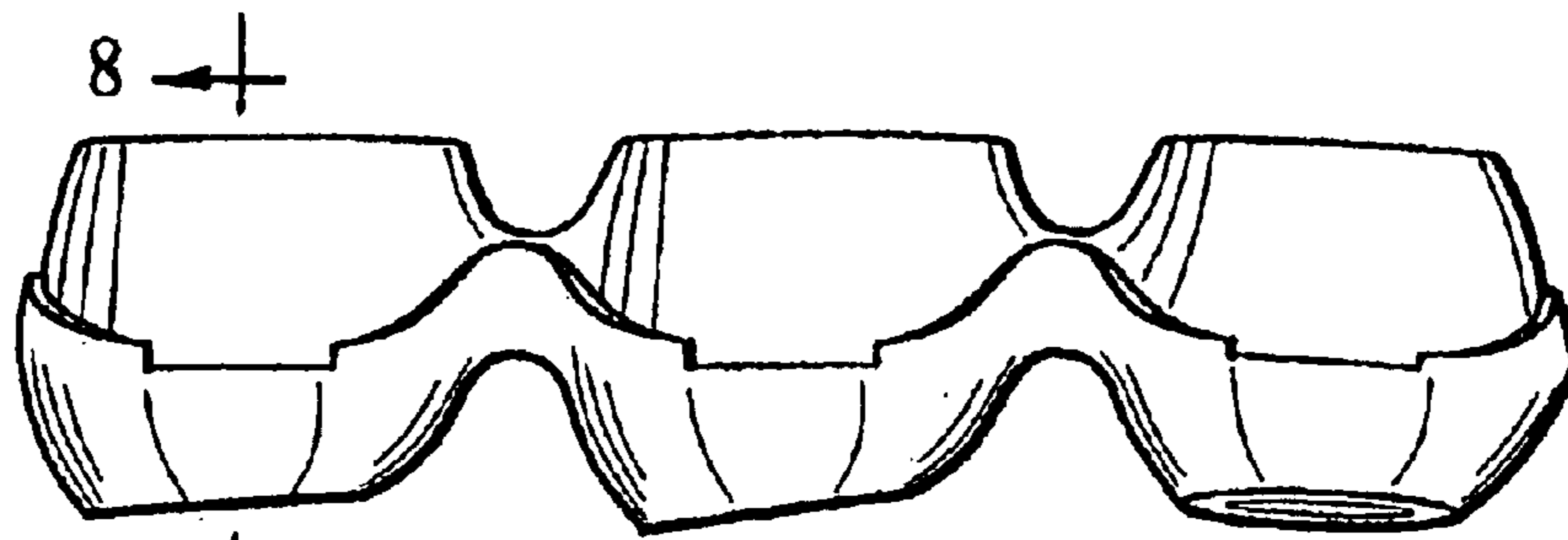
D268,869 S	*	5/1983	Toff	.....	D24/156
5,120,222 A	*	6/1992	Sulc	.....	433/181
5,556,280 A	*	9/1996	Pelak	.....	433/172
5,564,928 A		10/1996	Gittleman	.....	433/180
6,283,753 B1	*	9/2001	Willoughby	.....	433/172

**1 Claim, 2 Drawing Sheets**

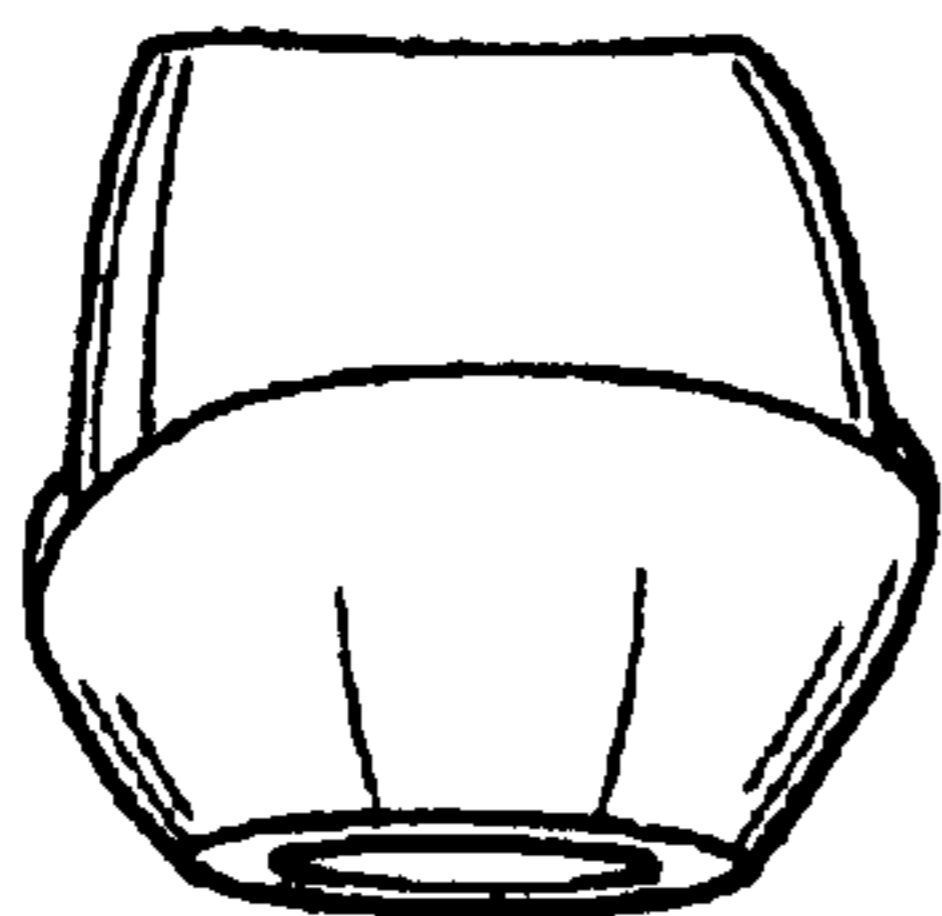




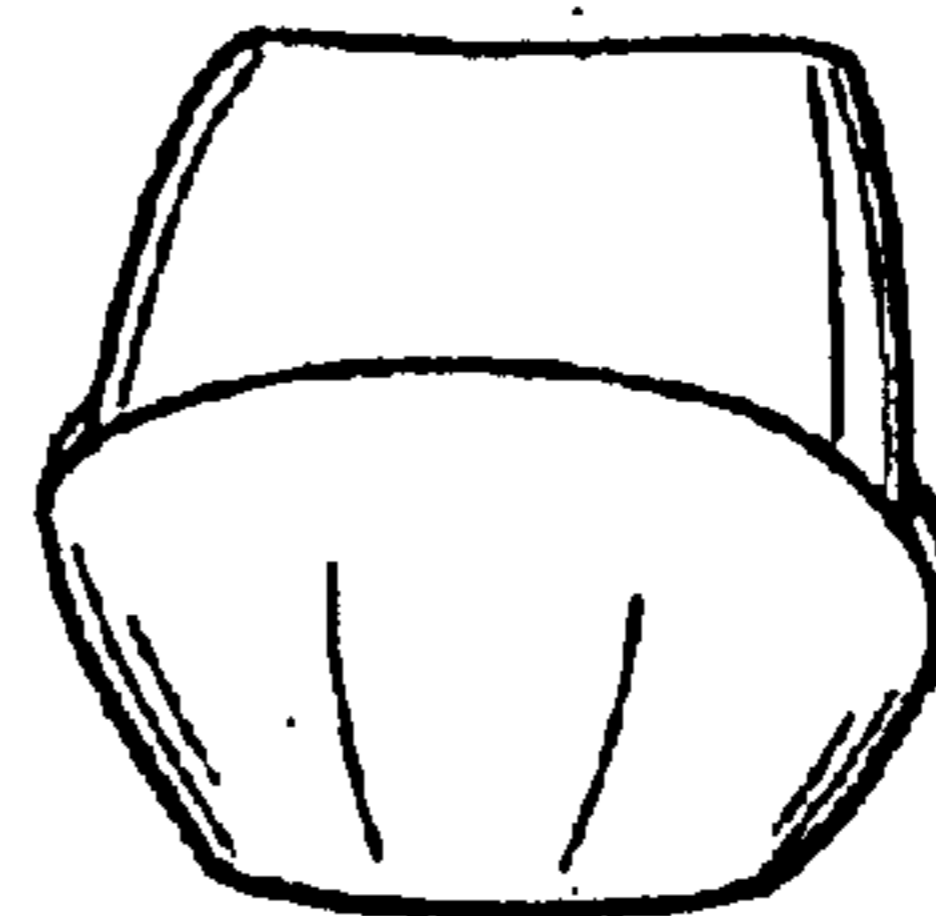
**FIG. 1**



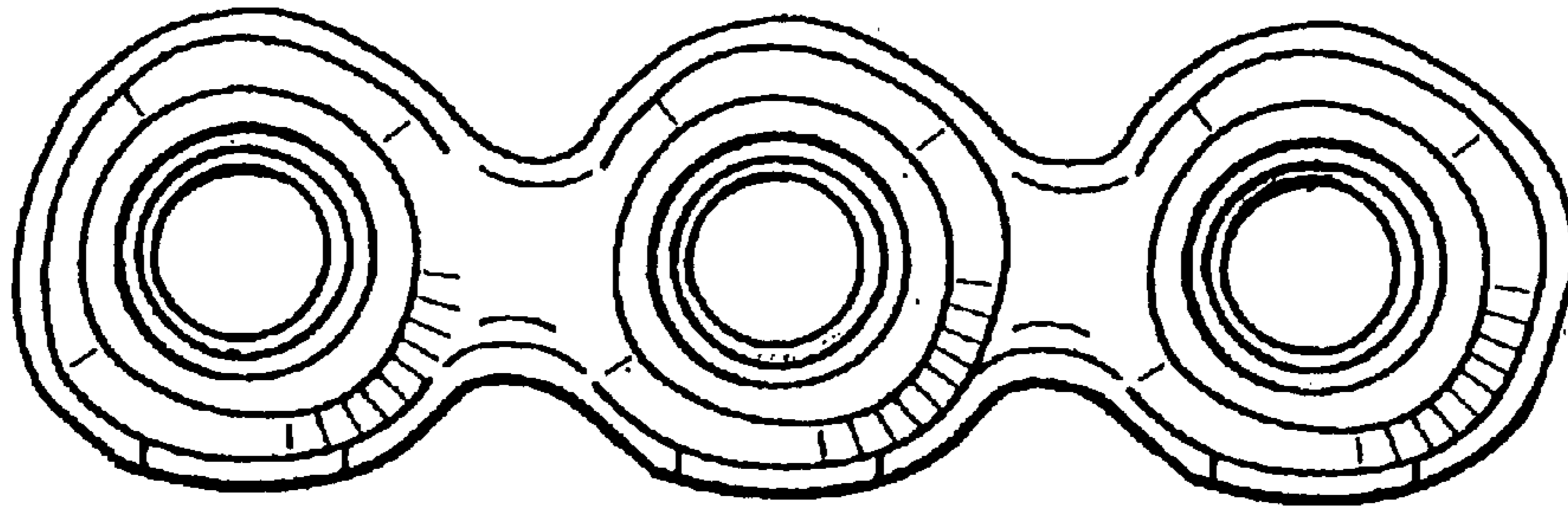
**FIG. 2**



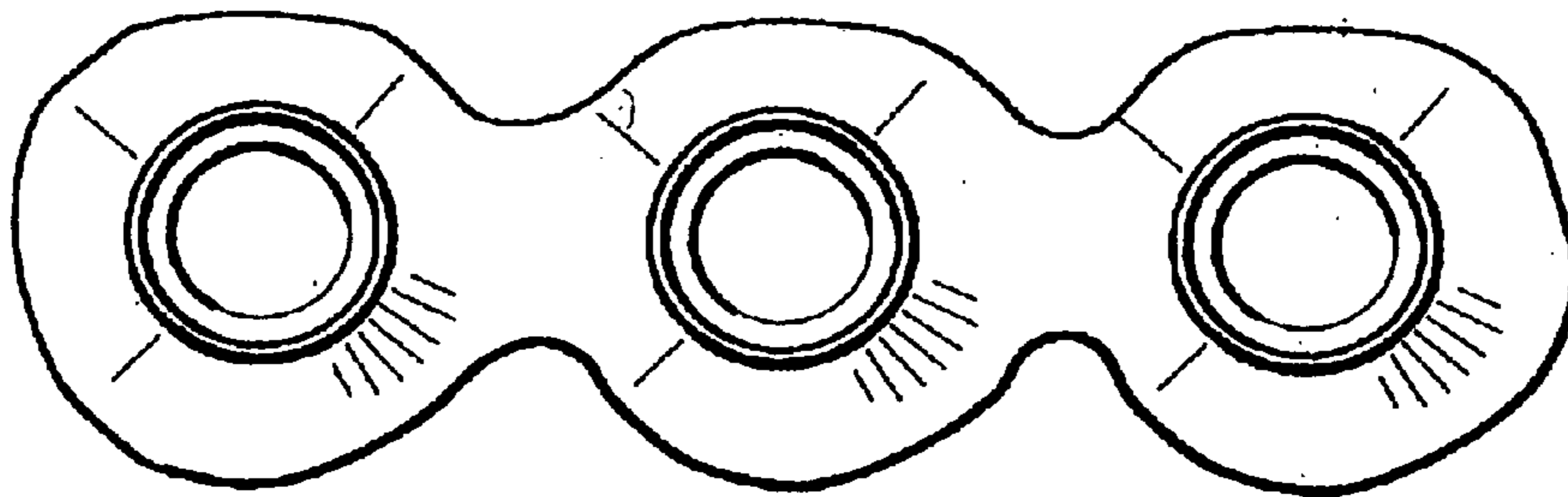
**FIG. 3**



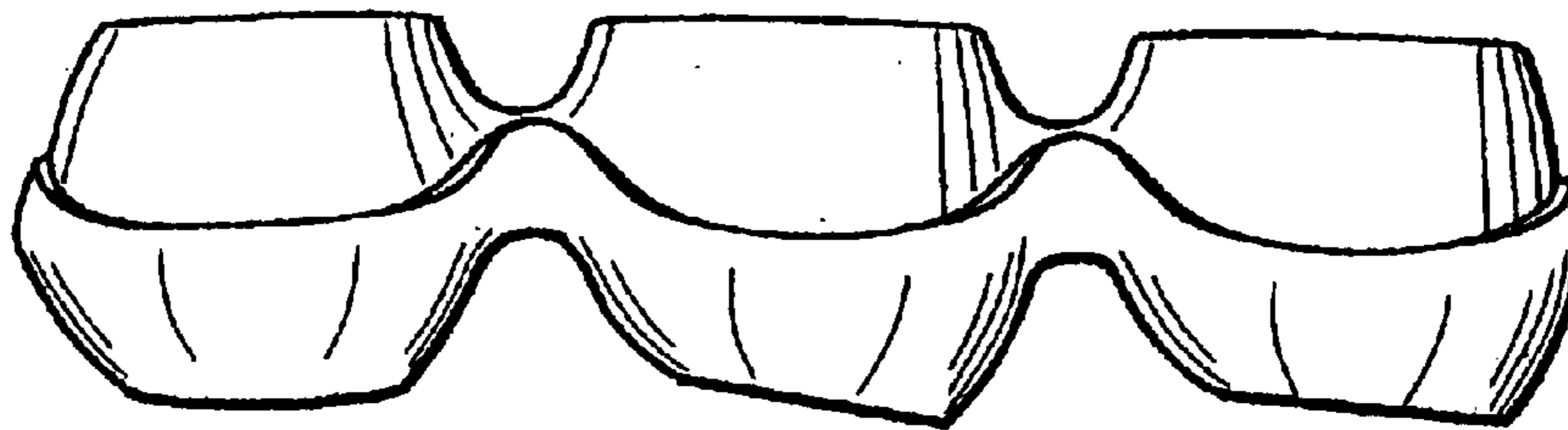
**FIG. 4**



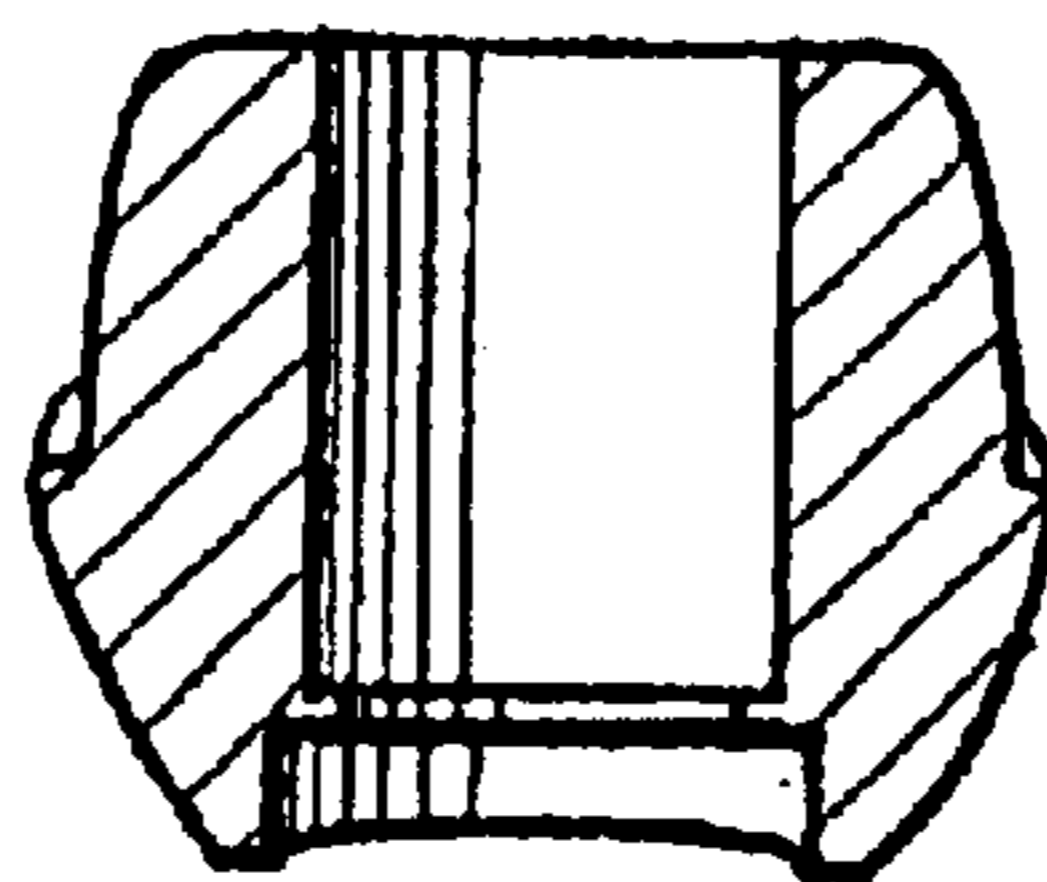
**FIG. 5**



**FIG. 6**



**FIG. 7**



**FIG. 8**