

US00D494270S1

(12) **United States Design Patent** (10) **Patent No.:** **US D494,270 S**
Reschke (45) **Date of Patent:** **** Aug. 10, 2004**

(54) **ELECTROSURGICAL PENCIL WITH MULTIPLE SCALLOPS**
 (75) Inventor: **Arlan James Reschke**, Boulder, CO (US)
 (73) Assignee: **Sherwood Services AG**, Schaffhuasen (CH)
 (**) Term: **14 Years**
 (21) Appl. No.: **29/175,415**
 (22) Filed: **Feb. 4, 2003**
 (51) **LOC (7) Cl.** **24-02**
 (52) **U.S. Cl.** **D24/144; D24/133**
 (58) **Field of Search** D24/144, 147, D24/133; D8/82, 107, 83, 85, 43; 606/40, 42, 45, 1, 190

5,318,565 A 6/1994 Kuriloff et al.
 5,376,089 A 12/1994 Smith
 5,395,363 A 3/1995 Billings et al.
 5,409,484 A 4/1995 Erlich et al.
 5,413,575 A 5/1995 Haenggi
 5,431,650 A 7/1995 Cosmescu
 5,451,222 A 9/1995 De Maagd et al.
 5,460,602 A 10/1995 Shapira
 5,484,434 A * 1/1996 Cartmell et al. 606/42
 D393,067 S * 3/1998 Geary et al. D24/144
 5,725,479 A * 3/1998 Knight et al. 606/190
 D402,031 S * 12/1998 Roberts et al. D24/144
 5,893,862 A 4/1999 Pratt et al.
 6,099,525 A 8/2000 Cosmescu
 6,142,995 A 11/2000 Cosmescu
 6,146,353 A 11/2000 Platt, Jr.
 D453,833 S * 2/2002 Hess D24/144

FOREIGN PATENT DOCUMENTS

FR 2 235 669 1/1975
 WO WO 94/20032 9/1994

* cited by examiner

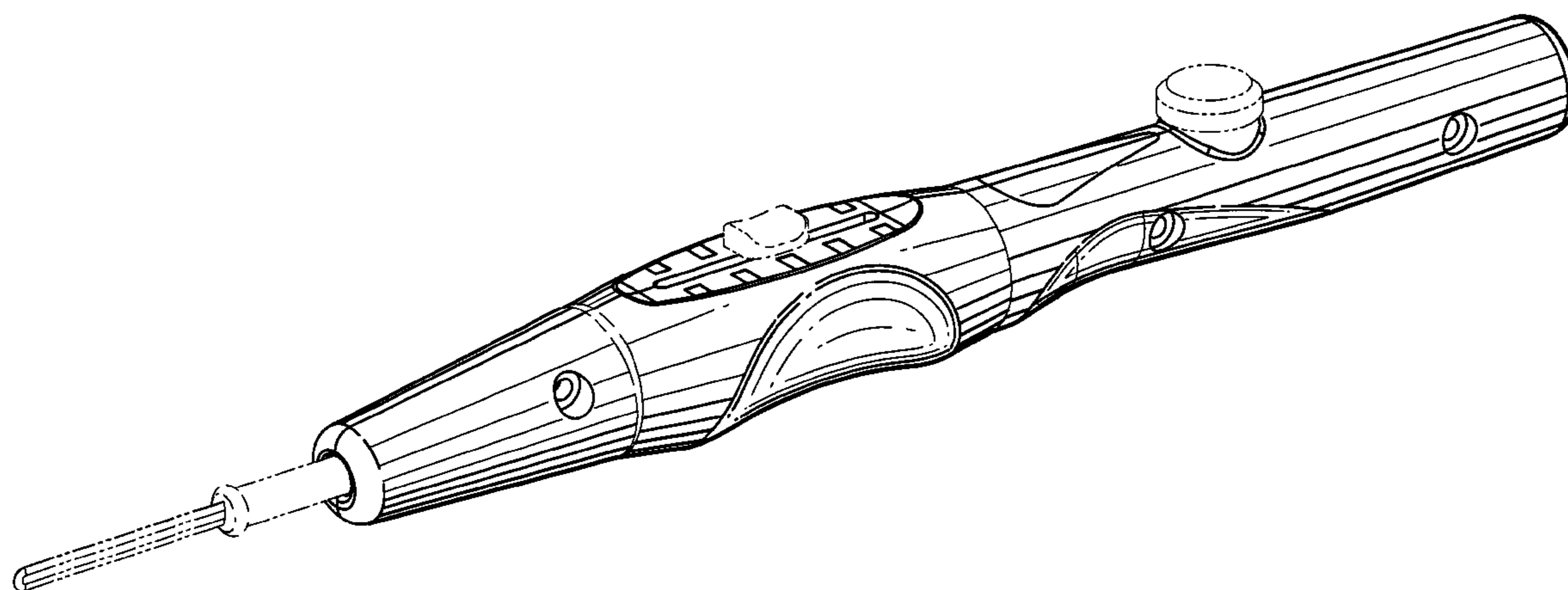
Primary Examiner—Ian Simmons

(56) **References Cited**
 U.S. PATENT DOCUMENTS
 D226,829 S * 5/1973 Staub D24/144
 3,825,004 A 7/1974 Durden, III
 3,828,780 A 8/1974 Morrison, Jr.
 3,906,955 A 9/1975 Roberts
 3,974,833 A 8/1976 Durden, III
 4,032,738 A 6/1977 Esty et al.
 4,427,006 A 1/1984 Nottke
 4,459,443 A 7/1984 Lewandowski
 4,562,838 A 1/1986 Walker
 4,625,723 A 12/1986 Altenther et al.
 4,911,159 A 3/1990 Johnson et al.
 5,055,100 A 10/1991 Olsen
 5,071,418 A 12/1991 Rosenbaum
 5,098,430 A 3/1992 Fleenor
 5,192,267 A 3/1993 Shapira et al.
 5,195,959 A 3/1993 Smith
 5,234,428 A 8/1993 Kaufman
 5,242,442 A 9/1993 Hirschfeld
 5,269,781 A 12/1993 Hewell, III
 5,306,238 A 4/1994 Fleenor

(57) **CLAIM**
 The ornamental design for an electrosurgical pencil with multiple scallops, as shown and described.

DESCRIPTION
 FIG. 1 is a perspective view of the electrosurgical pencil with multiple scallops showing our new design;
 FIG. 2 is a top view thereof;
 FIG. 3 is a bottom view thereof;
 FIG. 4 is a left side view thereof;
 FIG. 5 is a front view thereof;
 FIG. 6 is a right side view thereof; and,
 FIG. 7 is a rear view thereof.
 The broken lines showing in FIGS. 1–7 are for illustrative purposes only and form no part of the claimed design.

1 Claim, 4 Drawing Sheets



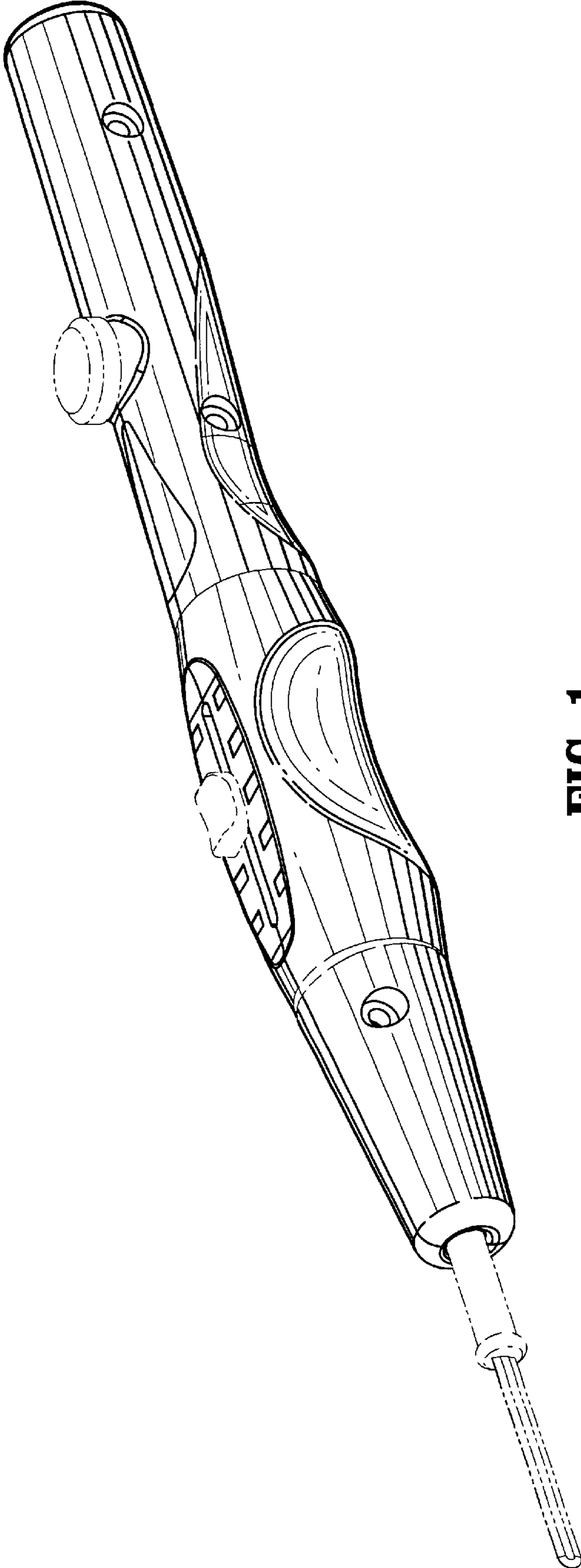


FIG. 1

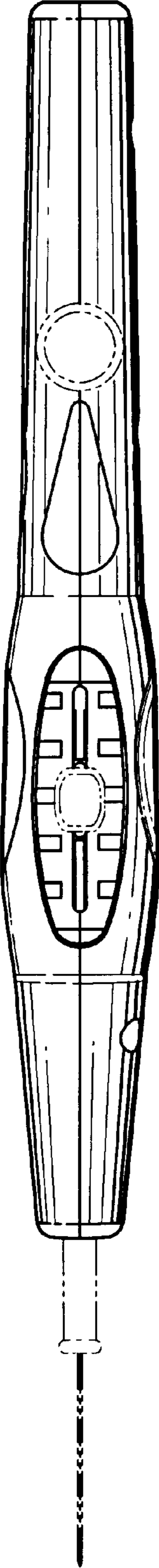


FIG. 2

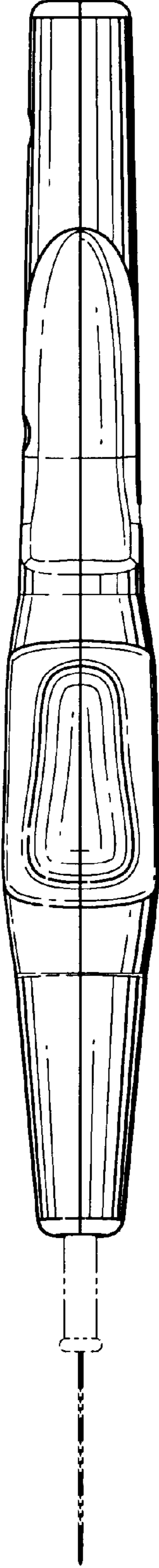


FIG. 3

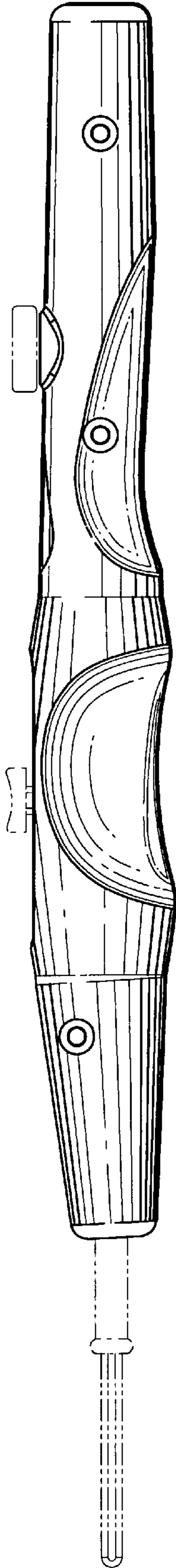


FIG. 4

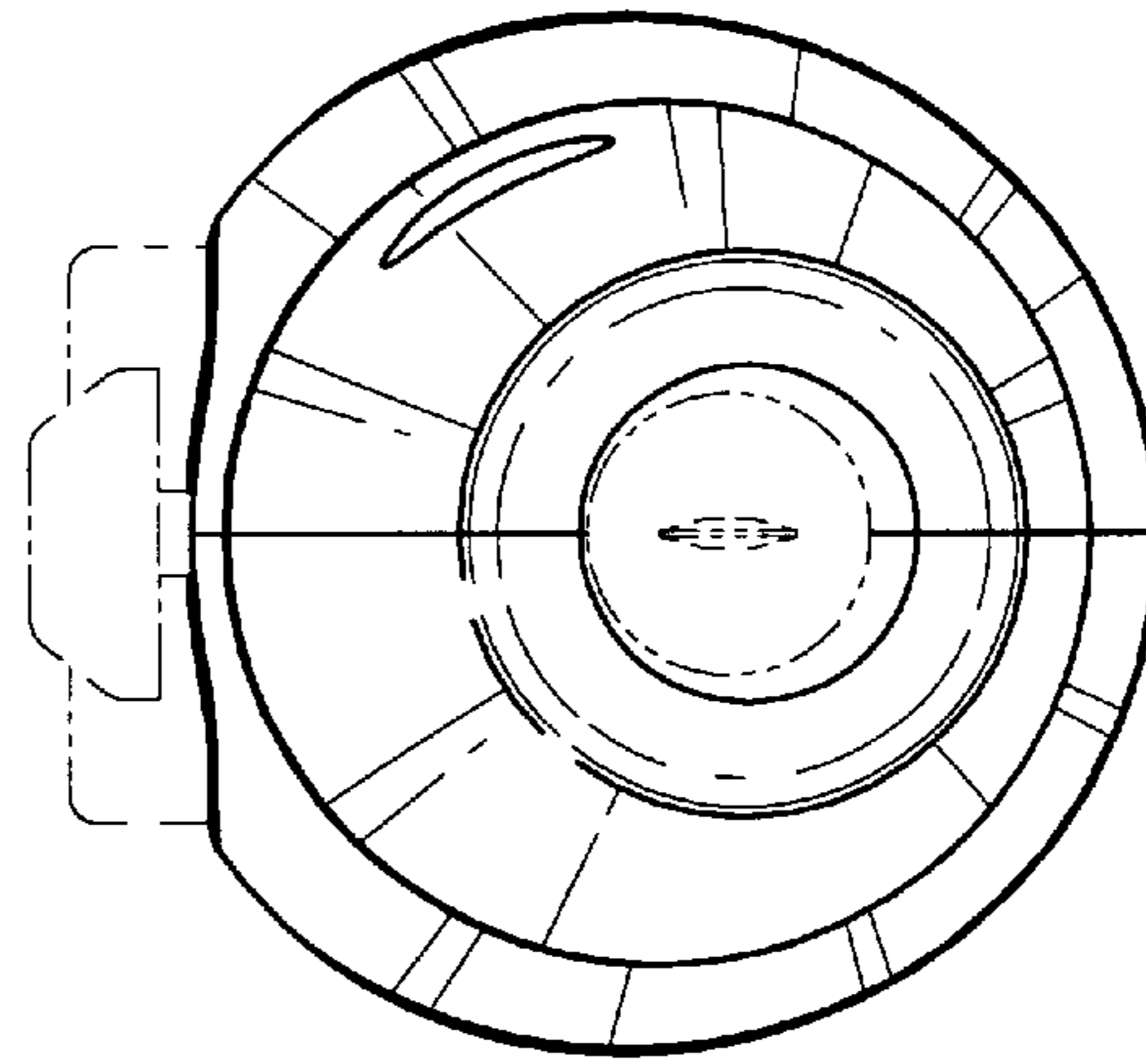


FIG. 5

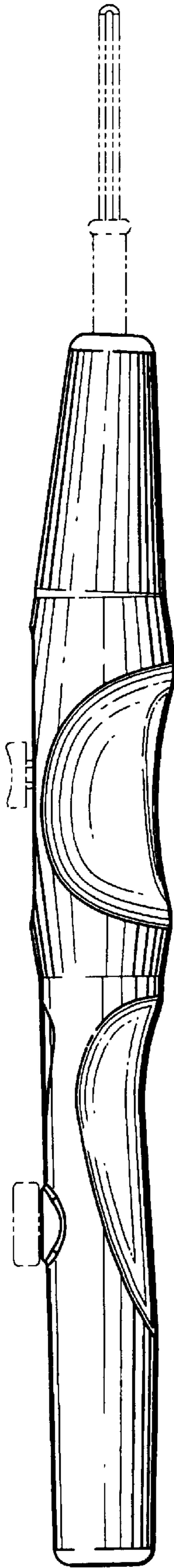


FIG. 6

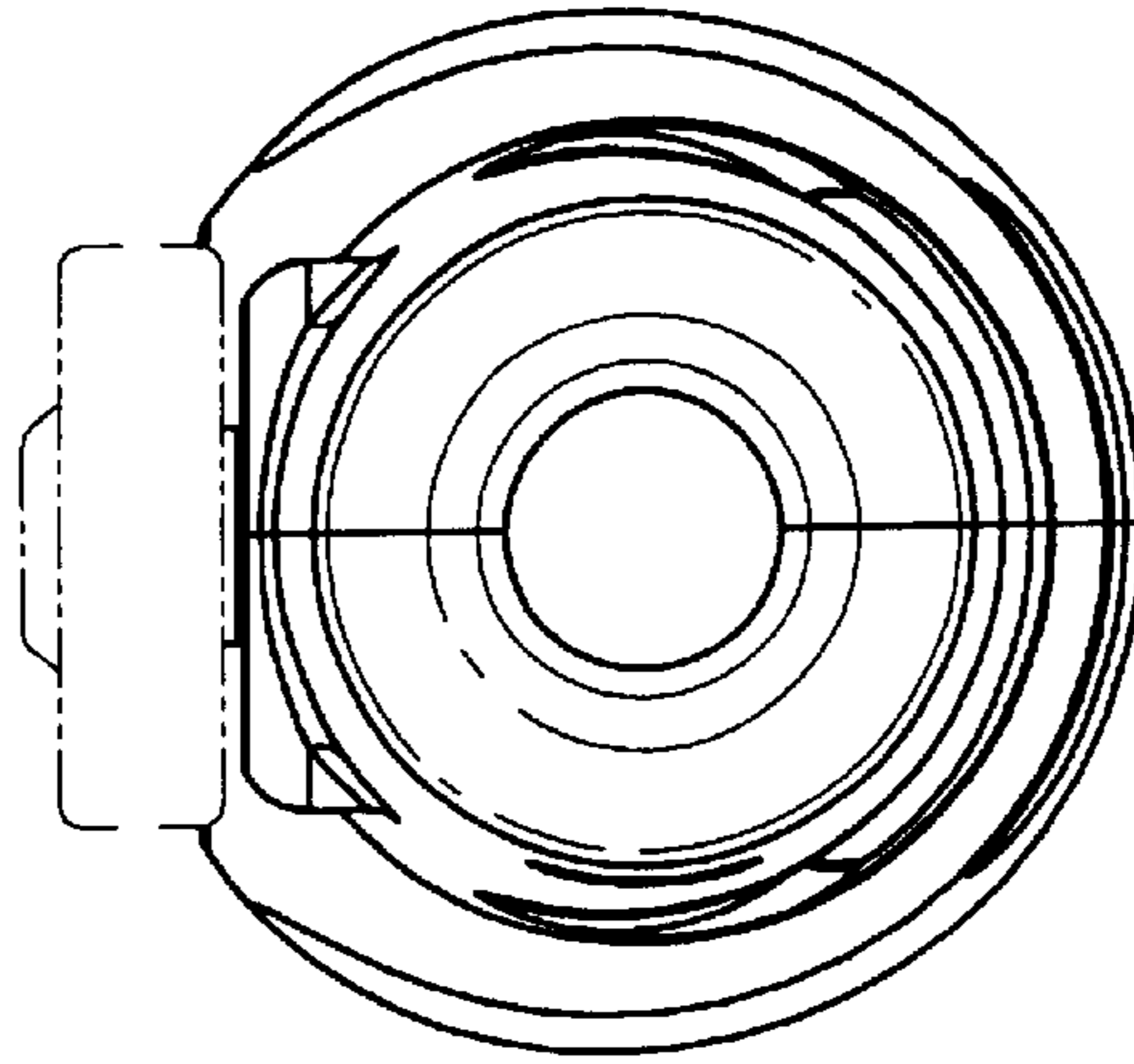


FIG. 7