

US00D494269S1

(12) **United States Design Patent**
Fleming

(10) **Patent No.:** **US D494,269 S**

(45) **Date of Patent:** **** Aug. 10, 2004**

(54) **EARPLUG WITH LOW ANGLE FLANGES**

(75) **Inventor:** **Thomas W. Fleming**, San Diego, CA (US)

(73) **Assignee:** **Bacou-Dalloz USA Safety, Inc.**, San Diego, CA (US)

(**) **Term:** **14 Years**

(21) **Appl. No.:** **29/180,966**

(22) **Filed:** **May 3, 2003**

(51) **LOC (7) Cl.** **24-04**

(52) **U.S. Cl.** **D24/106**

(58) **Field of Search** D24/106; 128/864, 128/865, 866, 867; 181/130, 129, 135

(56) **References Cited**

U.S. PATENT DOCUMENTS

- D239,416 S * 3/1976 Visor D24/106
- D259,279 S * 5/1981 Takeda D24/106
- D298,356 S * 11/1988 Falco D24/106

- D371,840 S * 7/1996 Leight D24/106
- D372,776 S * 8/1996 Leight D24/106
- 5,727,566 A * 3/1998 Leight 128/864
- 5,983,399 A * 11/1999 Falco et al. 128/864
- D436,164 S * 1/2001 Foslien D24/106
- 2003/0172938 A1 * 9/2003 Falco 128/864

* cited by examiner

Primary Examiner—Ian Simmons

(74) *Attorney, Agent, or Firm*—Leon D. Rosen

(57) **CLAIM**

The ornamental design for earplug with low angle flanges, as shown and described.

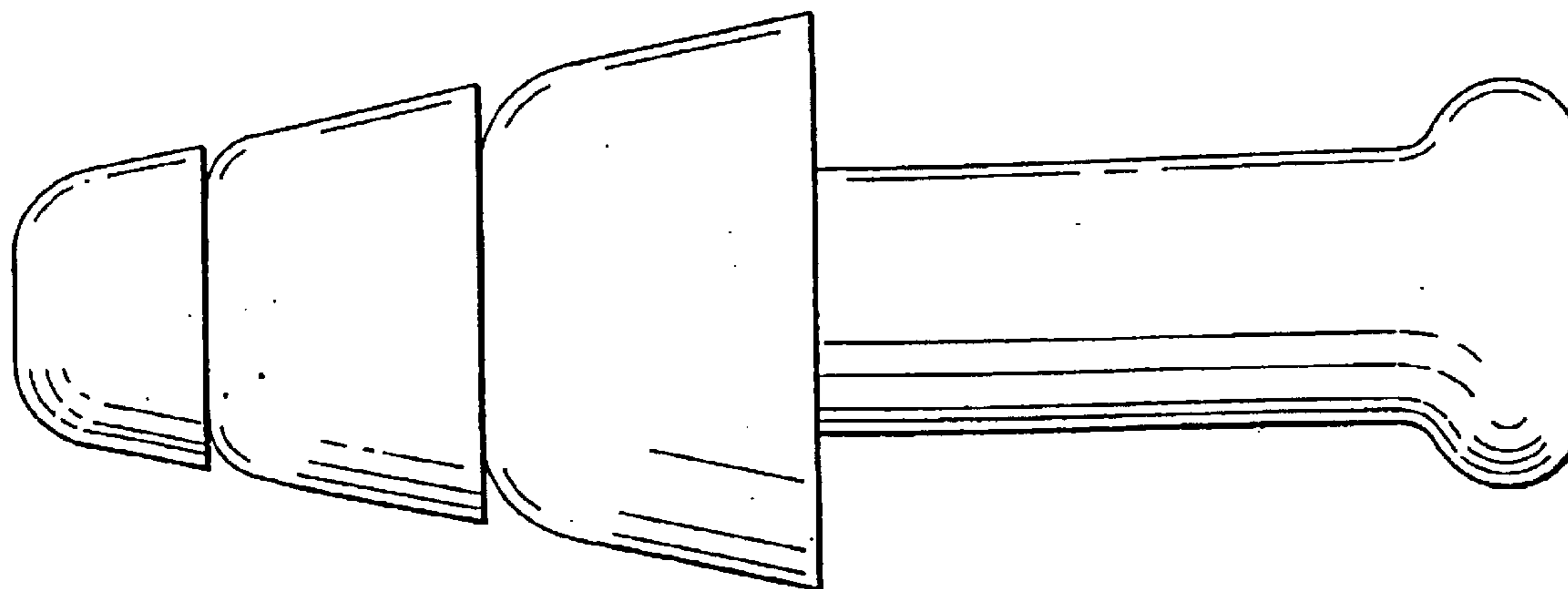
DESCRIPTION

FIG. 1 is a left side elevation view of an earplug with low angle flanges, showing my design, the right side, top, and bottom views being identical.

FIG. 2 is a front view thereof; and,

FIG. 3 is a rear view thereof.

1 Claim, 1 Drawing Sheet



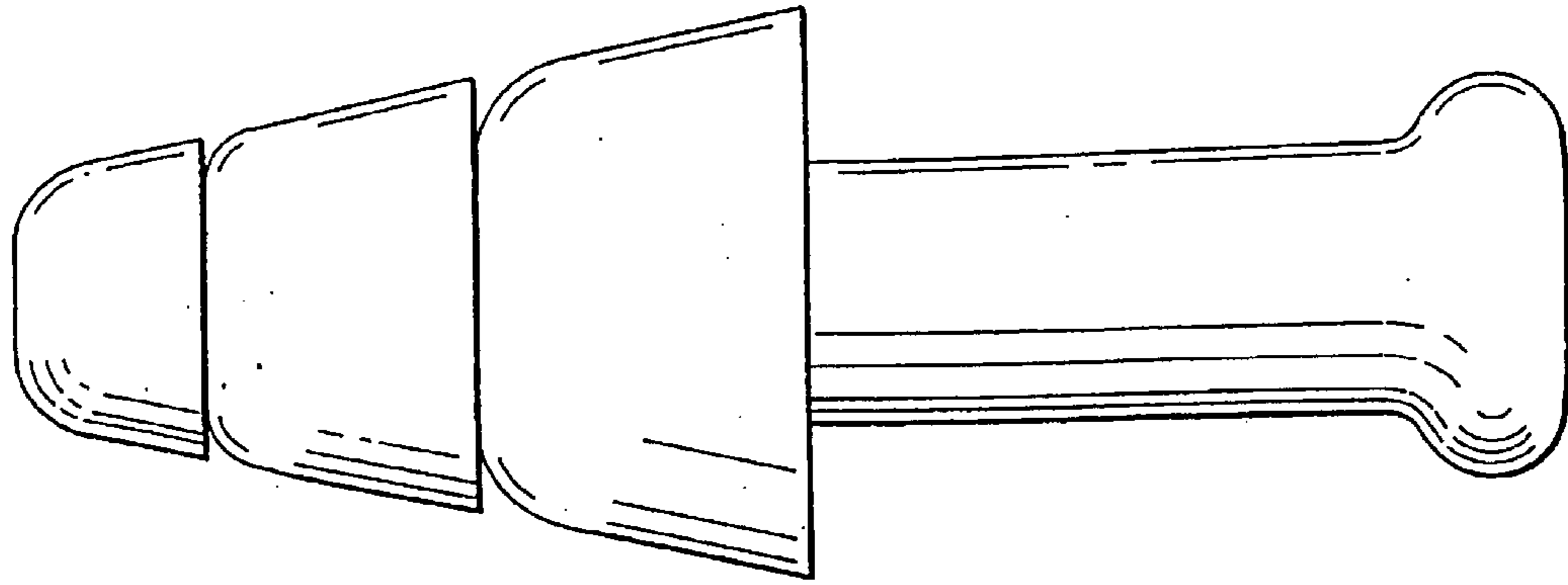


FIG. 1

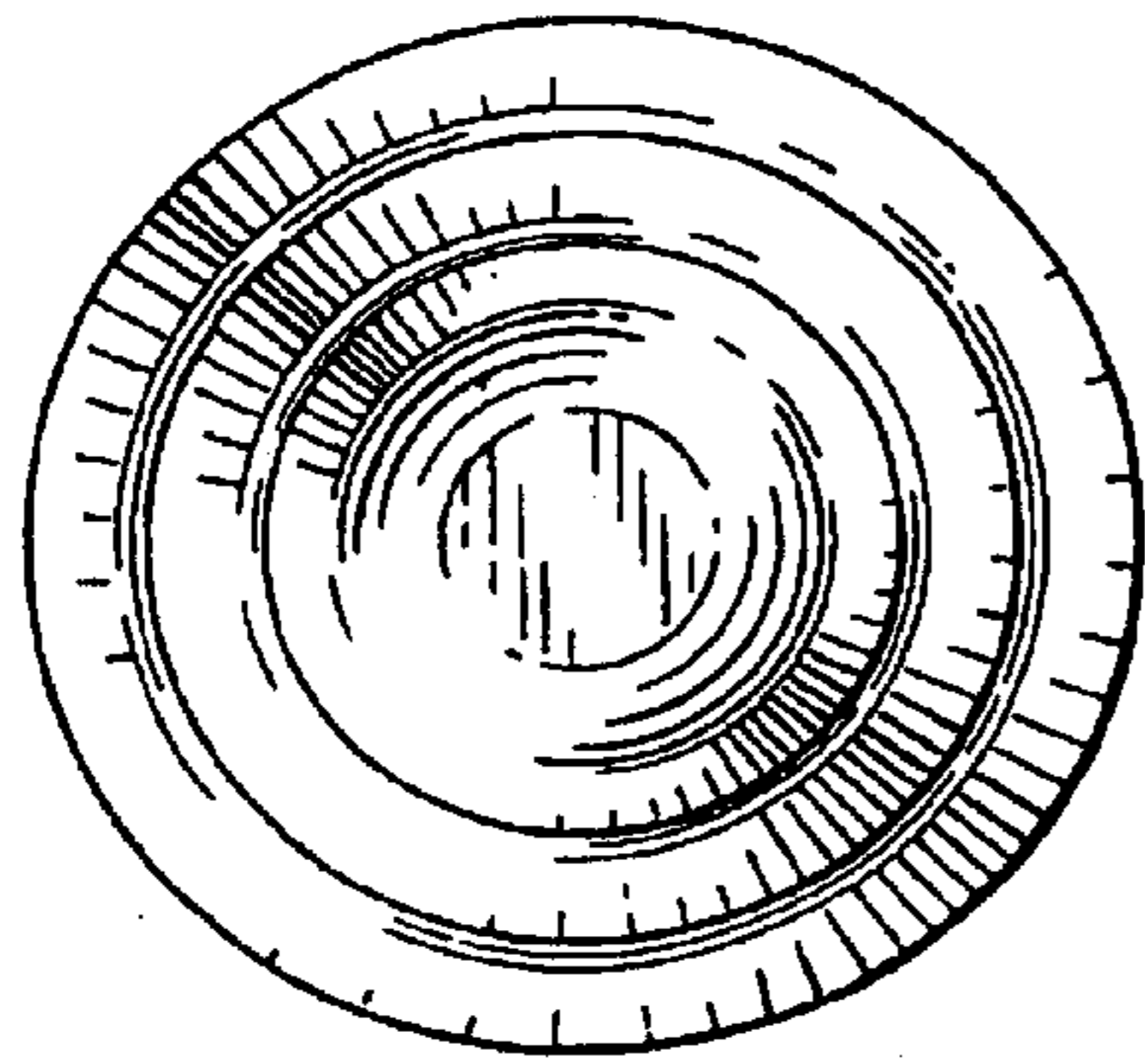


FIG. 2

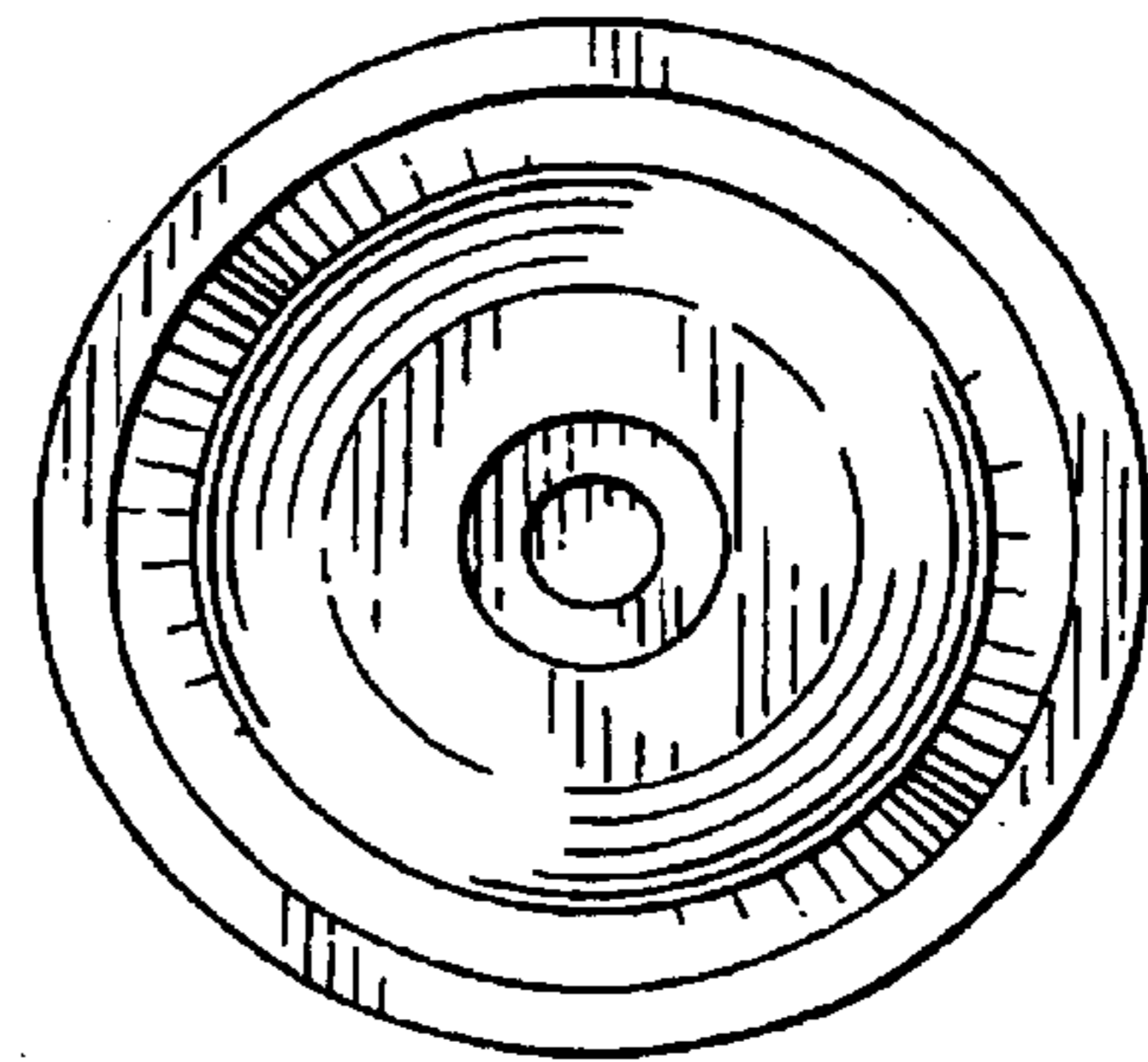


FIG. 3