

US00D494266S1

(12) **United States Design Patent**  
**Snyder**

(10) **Patent No.:** **US D494,266 S**

(45) **Date of Patent:** **\*\* Aug. 10, 2004**

(54) **POKE THROUGH END**

(75) **Inventor:** **Darryl L. Snyder**, Canton, OH (US)

(73) **Assignee:** **SGC Technologies, L.L.C.**, Canton, OH (US)

(\*\*) **Term:** **14 Years**

(21) **Appl. No.:** **29/194,261**

(22) **Filed:** **Nov. 20, 2003**

(51) **LOC (7) Cl.** ..... **23-04**

(52) **U.S. Cl.** ..... **D23/393**

(58) **Field of Search** ..... D23/354, 314,  
D23/329, 386-387, 393, 421, 499; 454/224,  
227, 380, 906, 283-284, 307, 309, 370,  
330-331; 138/106, 128, 172, 155-156,  
177-178, DIG. 11; 55/502

(56) **References Cited**

**U.S. PATENT DOCUMENTS**

343,025 A	6/1886	Gordon et al.	
403,564 A	5/1889	Sullivan	
641,580 A	1/1900	Cummins	
1,776,656 A	9/1930	Frederickson	
1,992,574 A *	2/1935	Jenkins	138/156
3,460,322 A *	8/1969	Rivers et al.	55/502
3,740,934 A *	6/1973	Shuler	55/502
4,020,875 A *	5/1977	Akiba	138/128
4,174,126 A	11/1979	Hauff	
4,429,497 A	2/1984	Dibernardi	
4,467,914 A *	8/1984	Trammel et al.	138/155
4,607,469 A	8/1986	Harrison	
4,711,160 A *	12/1987	Witten et al.	454/283
4,712,342 A	12/1987	Legerius et al.	
4,765,375 A *	8/1988	Nakajima	138/155

4,773,197 A	9/1988	Sullivan	
4,817,348 A	4/1989	Wydra	
4,858,520 A *	8/1989	Prochnow et al.	454/284
4,967,524 A	11/1990	Hull et al.	
5,421,775 A *	6/1995	Honda	454/283
5,729,938 A	3/1998	Tobias	
D394,901 S *	6/1998	Governale et al.	D23/354
5,813,706 A	9/1998	Travis	
6,024,127 A	2/2000	Johnson	
6,125,593 A	10/2000	Randolph et al.	
D465,276 S	11/2002	Snyder	

**FOREIGN PATENT DOCUMENTS**

IT 295401 10/1936

\* cited by examiner

*Primary Examiner*—Robert A Delehanty

(74) *Attorney, Agent, or Firm*—Sand & Sebolt

(57) **CLAIM**

The ornamental design for the poke through end, as shown and described.

**DESCRIPTION**

FIG. 1 is a perspective view of one embodiment of a poke through end shown as it appears when installed in a wall, the wall being shown in dashed lines.

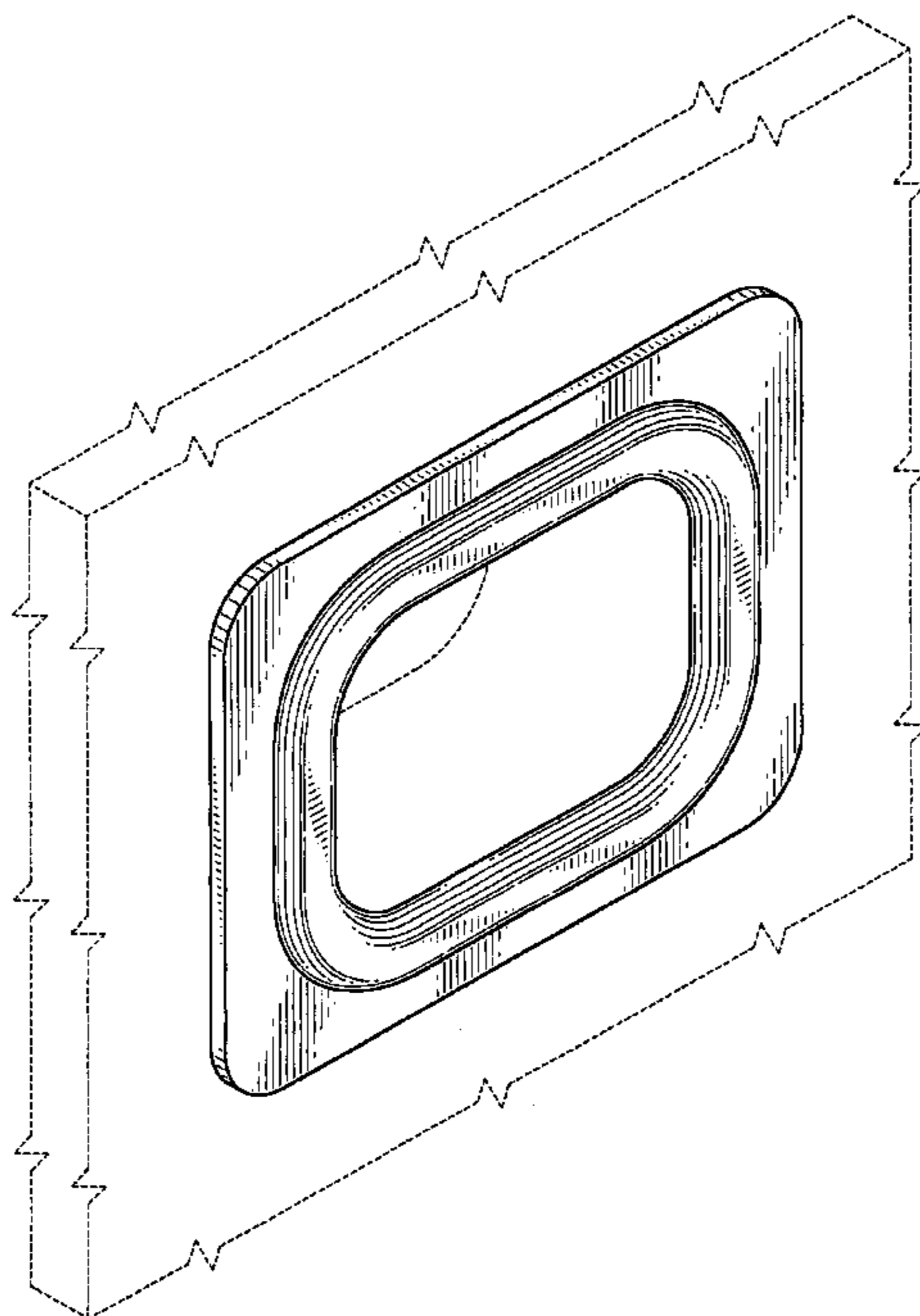
FIG. 2 is a top plan view of the poke through end of FIG. 1; the bottom plan view being a mirror image thereof.

FIG. 3 is a front elevation view of the poke through end of FIG. 1; and,

FIG. 4 is a left side elevation view of the poke through end of FIG. 1; the right side being a mirror image thereof.

The dashed lines of the drawings are for illustrative purposes and form no part of the claimed invention.

**1 Claim, 3 Drawing Sheets**



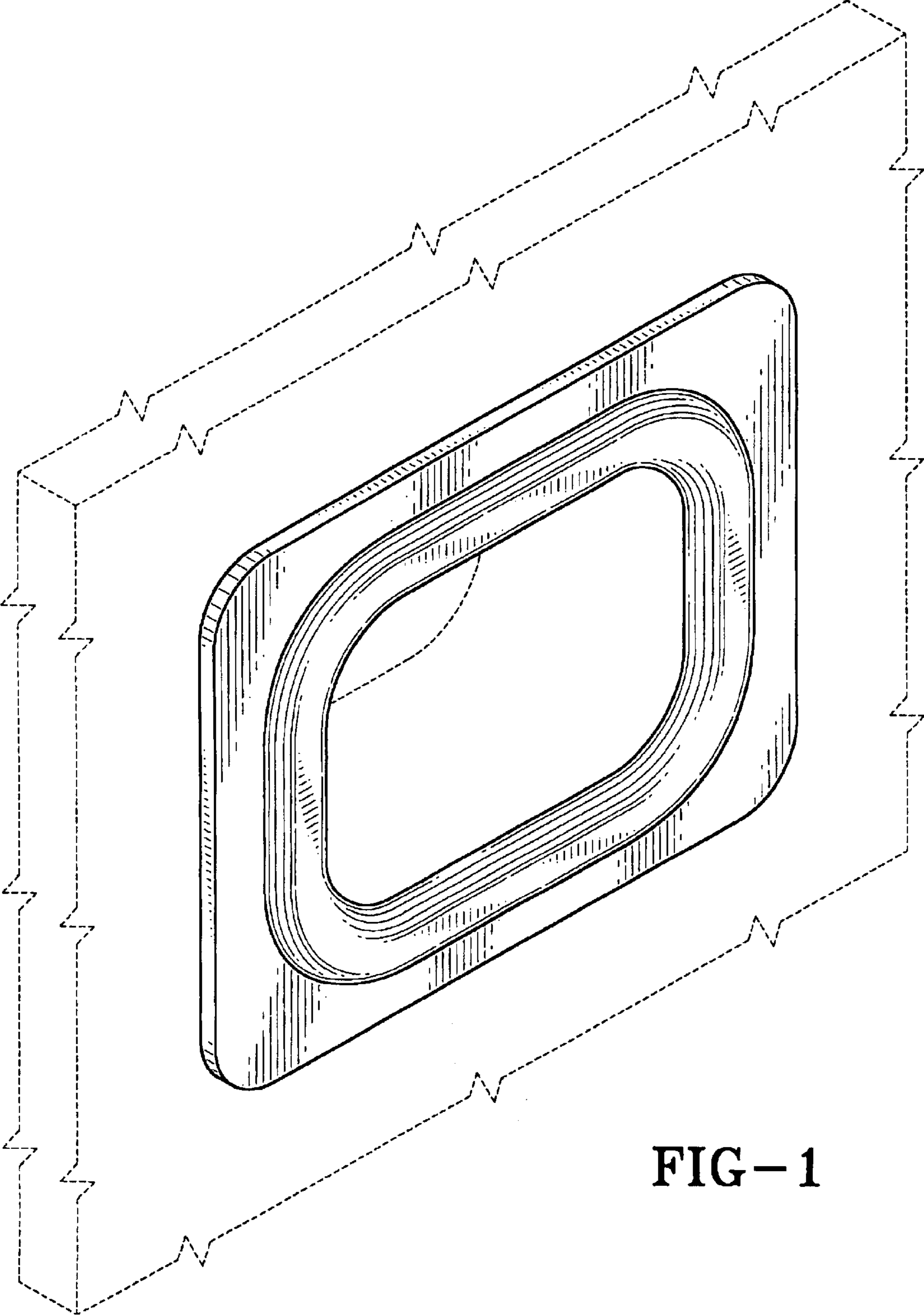


FIG-1

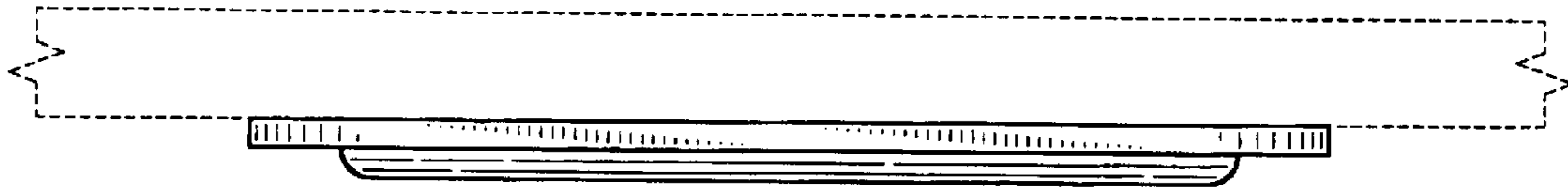


FIG-2

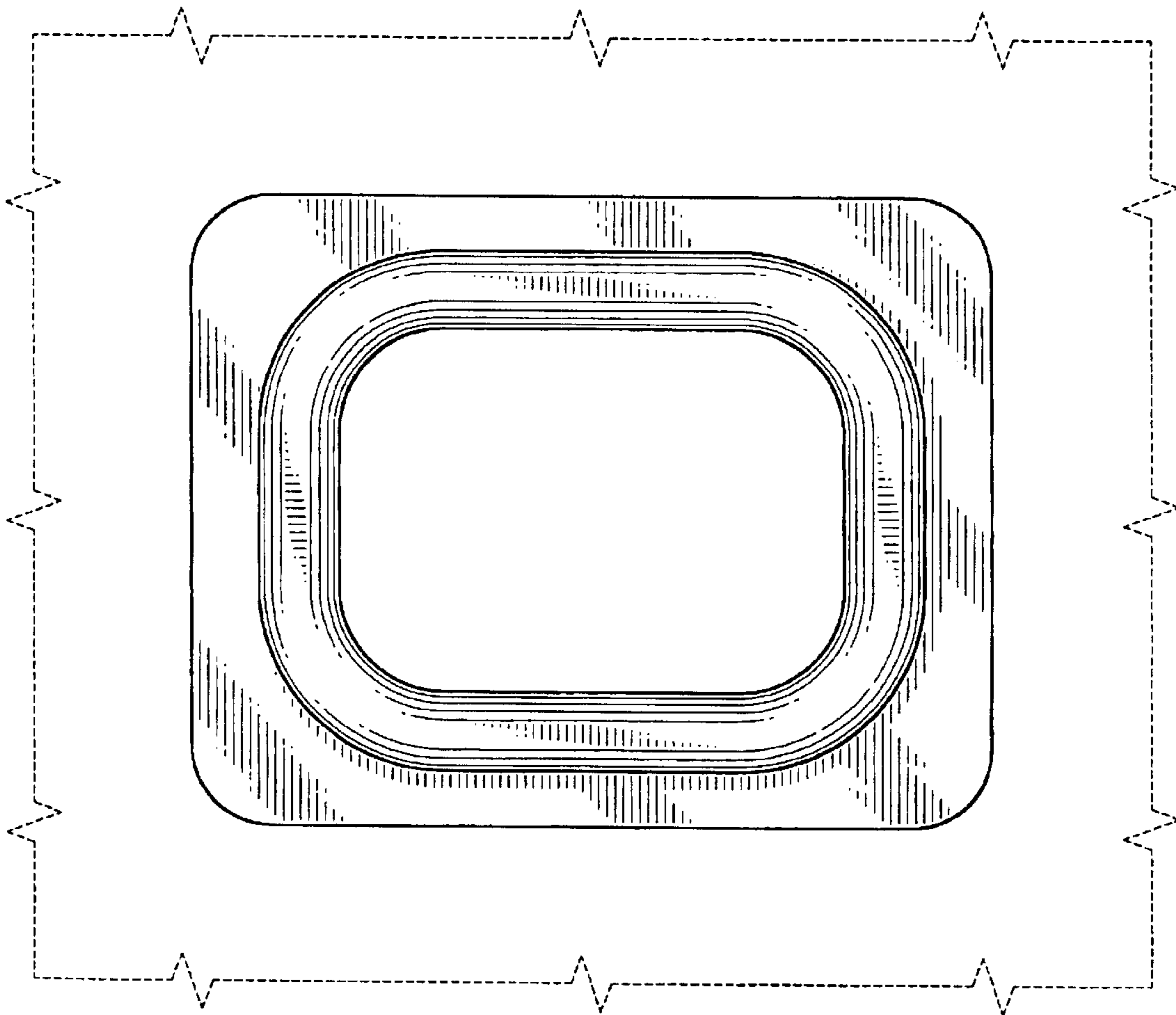
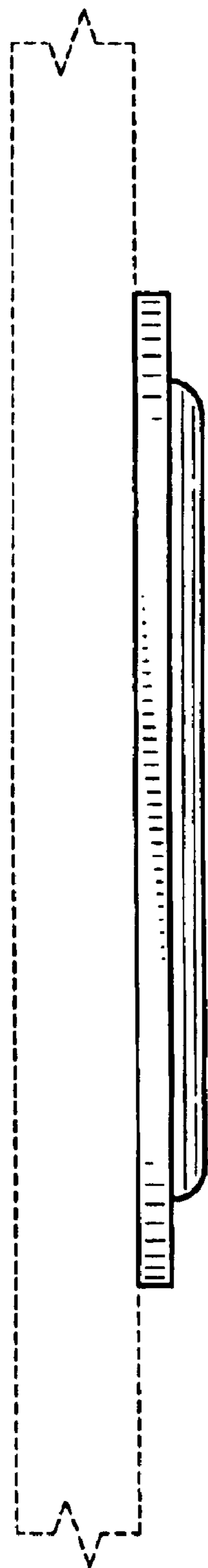


FIG-3



**FIG-4**