

US00D494265S1

(12) **United States Design Patent** (10) **Patent No.:** **US D494,265 S**  
**Snyder et al.** (45) **Date of Patent:** **\*\* Aug. 10, 2004**

- (54) **SUPPORT FRAME FOR RECTANGULAR DUCT** 4,872,891 A \* 10/1989 Sussmeier ..... 55/508  
 4,967,524 A 11/1990 Hull et al.  
 5,100,445 A 3/1992 Johnson et al.  
 5,180,331 A 1/1993 Daw et al.  
 5,266,091 A 11/1993 McDonald  
 5,597,392 A 1/1997 Hawkins et al.  
 5,720,660 A 2/1998 Benedetto et al.  
 5,729,938 A 3/1998 Tobias  
 5,813,706 A 9/1998 Travis  
 6,024,127 A 2/2000 Johnson  
 6,066,044 A 5/2000 Orendorff  
 6,125,593 A 10/2000 Randolph et al.  
 6,273,145 B1 8/2001 Botting  
 D465,276 S 11/2002 Snyder  
 6,652,375 B2 \* 11/2003 Donnelly ..... 454/330  
 2002/0069599 A1 6/2002 Dhallan
- (75) Inventors: **Darryl L. Snyder**, Canton, OH (US);  
**Pascu Ghinga**, Middleburg Heights, OH (US)
- (73) Assignee: **Snyder National Corporation**, Canton, OH (US)
- (\*\*) Term: **14 Years**
- (21) Appl. No.: **29/187,102**
- (22) Filed: **Jul. 28, 2003**
- (51) **LOC (7) Cl.** ..... **23-04**
- (52) **U.S. Cl.** ..... **D23/393**
- (58) **Field of Search** ..... D23/354, 314, D23/329, 386-387, 393, 421, 499; 454/224, 227, 380, 906, 283-284, 307, 309, 370, 330-331; 138/106, 128, 172, 155-156, 177-178, DIG. 11; 55/502, 508; 126/41 R

(56) **References Cited**  
**U.S. PATENT DOCUMENTS**

343,025 A	6/1886	Gordon et al.
403,564 A	5/1889	Sullivan
641,580 A	1/1900	Cummins
674,991 A	5/1901	Williams
1,429,811 A	9/1922	Tynan
1,776,656 A	9/1930	Frederickson
1,911,851 A	5/1933	Scholtz
2,743,660 A	5/1956	Scherff
3,232,205 A	2/1966	Bumstead
3,589,265 A	6/1971	Hedrick
4,174,126 A	11/1979	Hauff
4,429,497 A	2/1984	Dibernardi
4,607,469 A	8/1986	Harrison
4,712,342 A	12/1987	Legerius et al.
4,712,343 A	12/1987	Dearing et al.
4,773,197 A	9/1988	Sullivan
4,817,348 A	4/1989	Wydra
4,829,886 A	5/1989	Battaglin

\* cited by examiner

*Primary Examiner*—Robert A. Delehanty  
(74) *Attorney, Agent, or Firm*—Sand & Sebolt

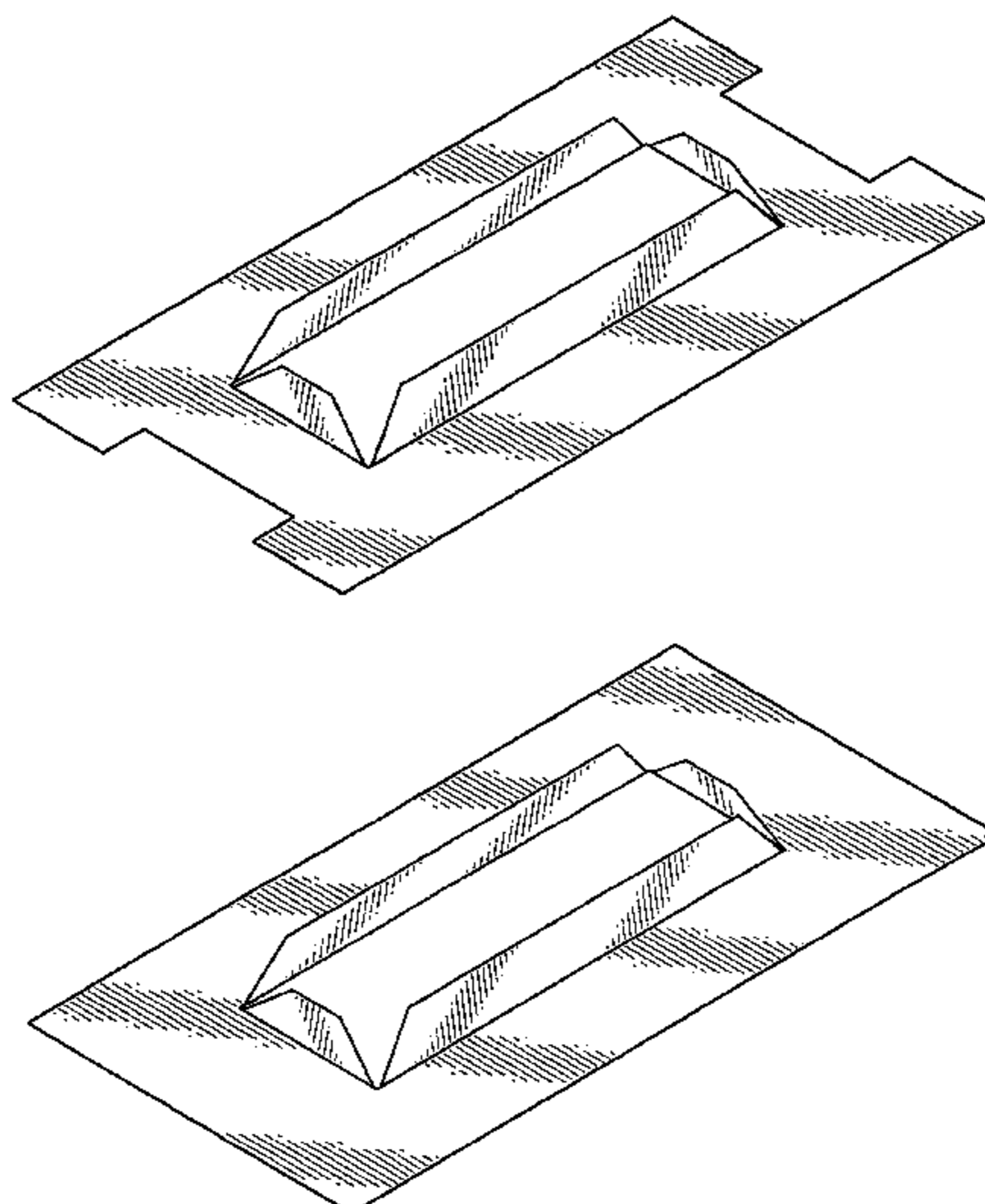
(57) **CLAIM**

The ornamental design for the support frame for a rectangular duct, as shown and described.

**DESCRIPTION**

FIG. 1 is a perspective view of the support frame for a rectangular duct showing a first embodiment of the design. FIG. 2 is a top plan view of FIG. 1. FIG. 3 is a front elevation view of FIG. 1. FIG. 4 is a right side elevation view of FIG. 1; the left side being a mirror image thereof. FIG. 5 is a bottom plan view of FIG. 1. FIG. 6 is a perspective view the support frame for a rectangular duct showing a second embodiment of the design. FIG. 7 is a top plan view of FIG. 6. FIG. 8 is a front elevation view of FIG. 6. FIG. 9 is a right side elevation view of FIG. 6; the left side being a mirror image thereof; and, FIG. 10 is a bottom plan view of FIG. 6.

**1 Claim, 4 Drawing Sheets**



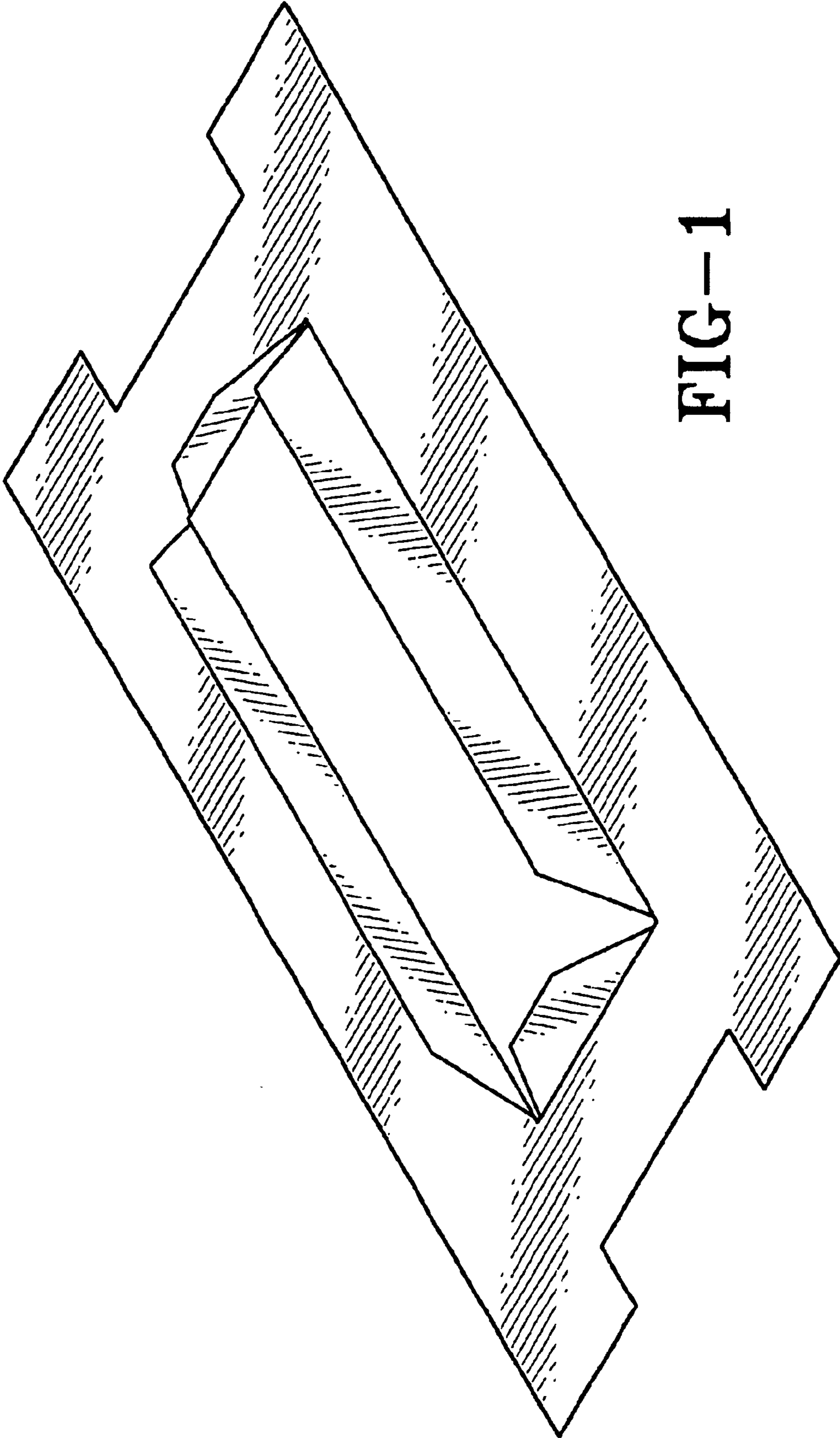


FIG-1

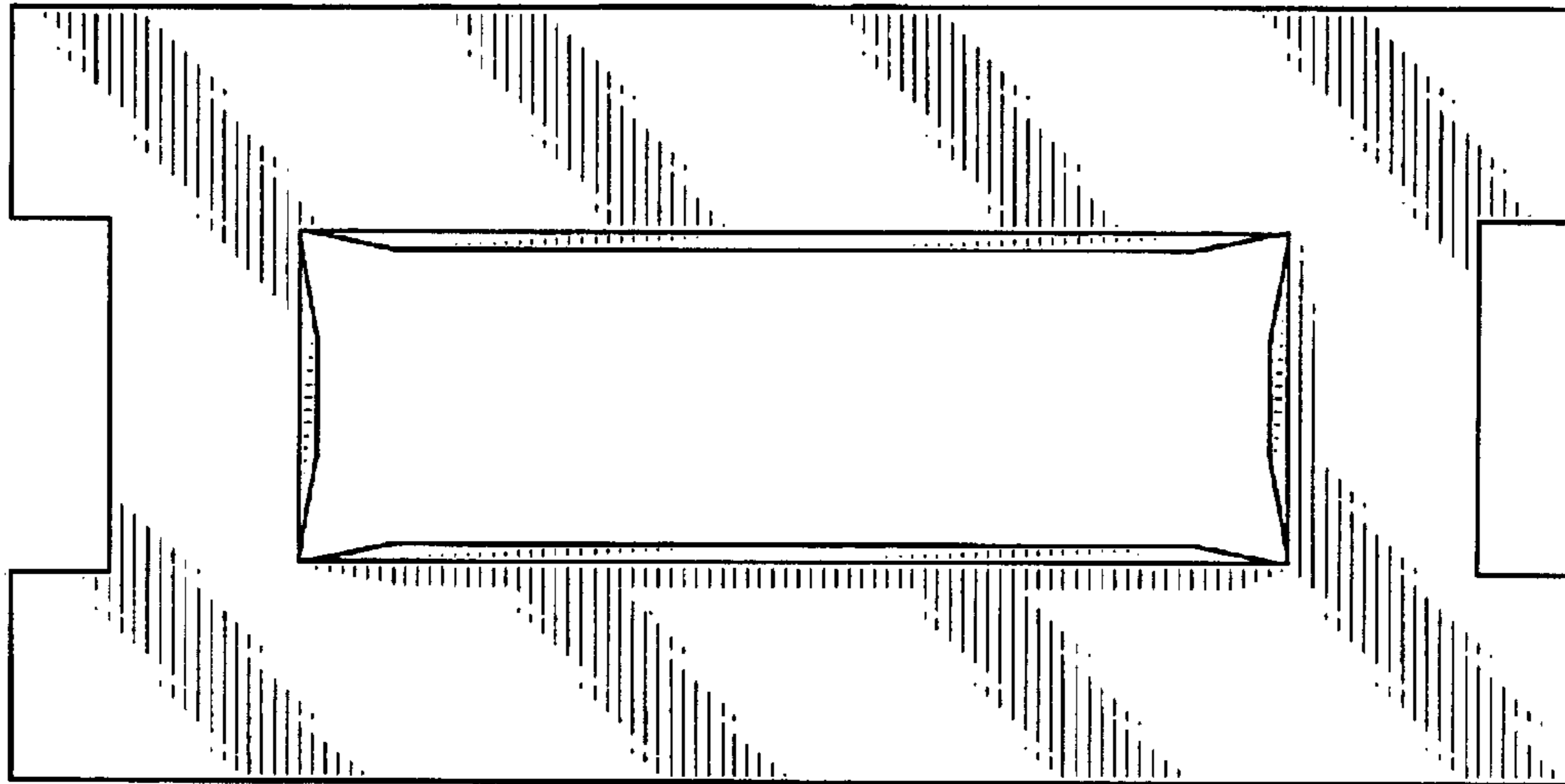


FIG-2

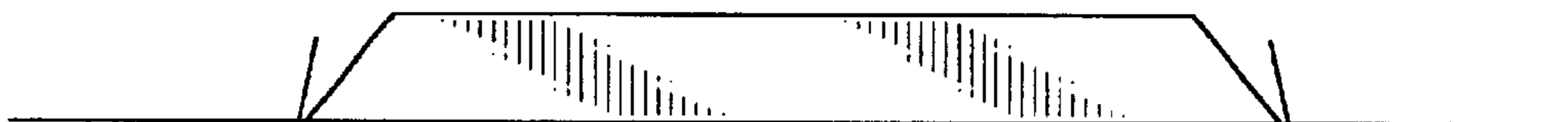


FIG-3



FIG-4

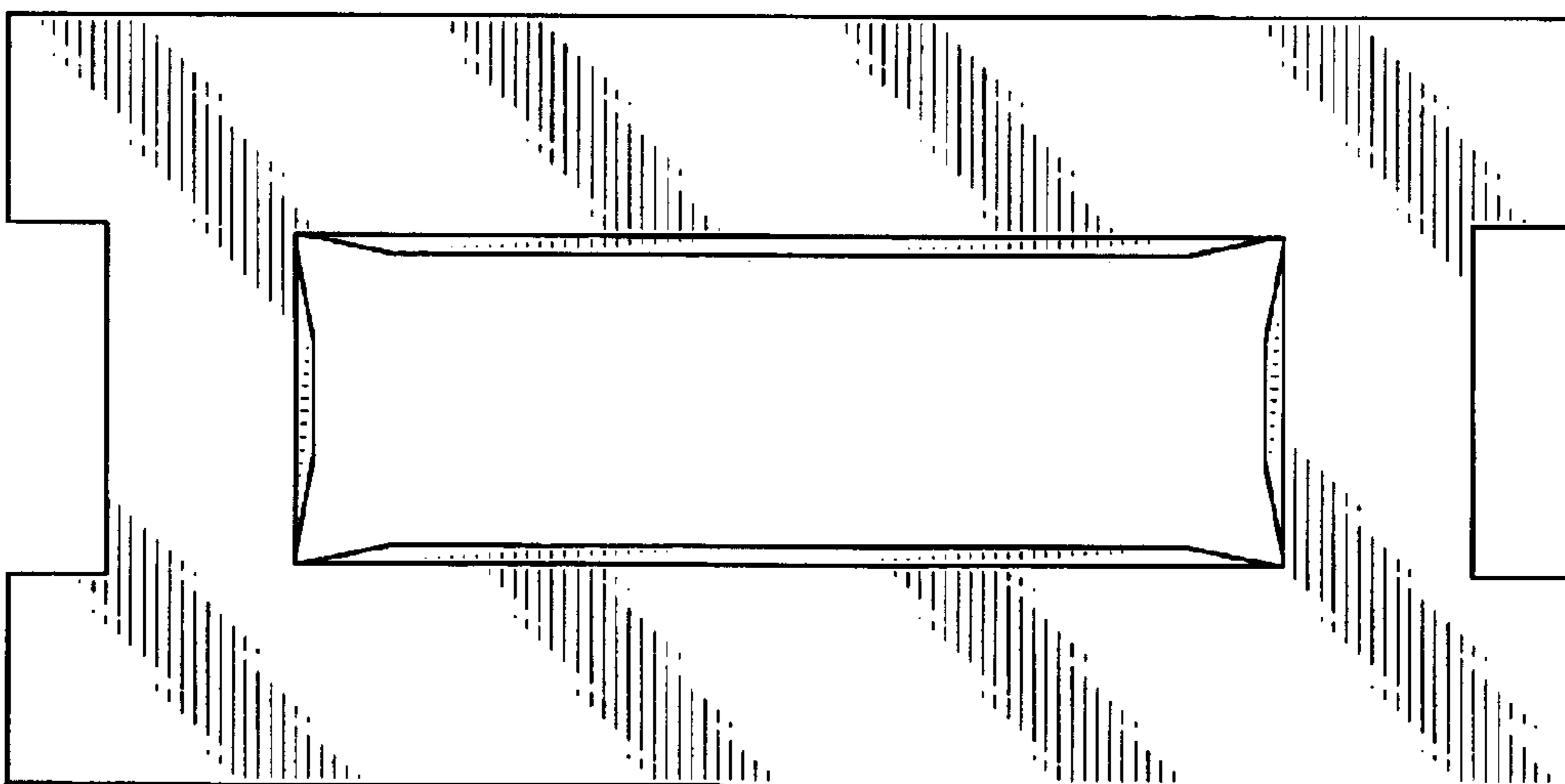
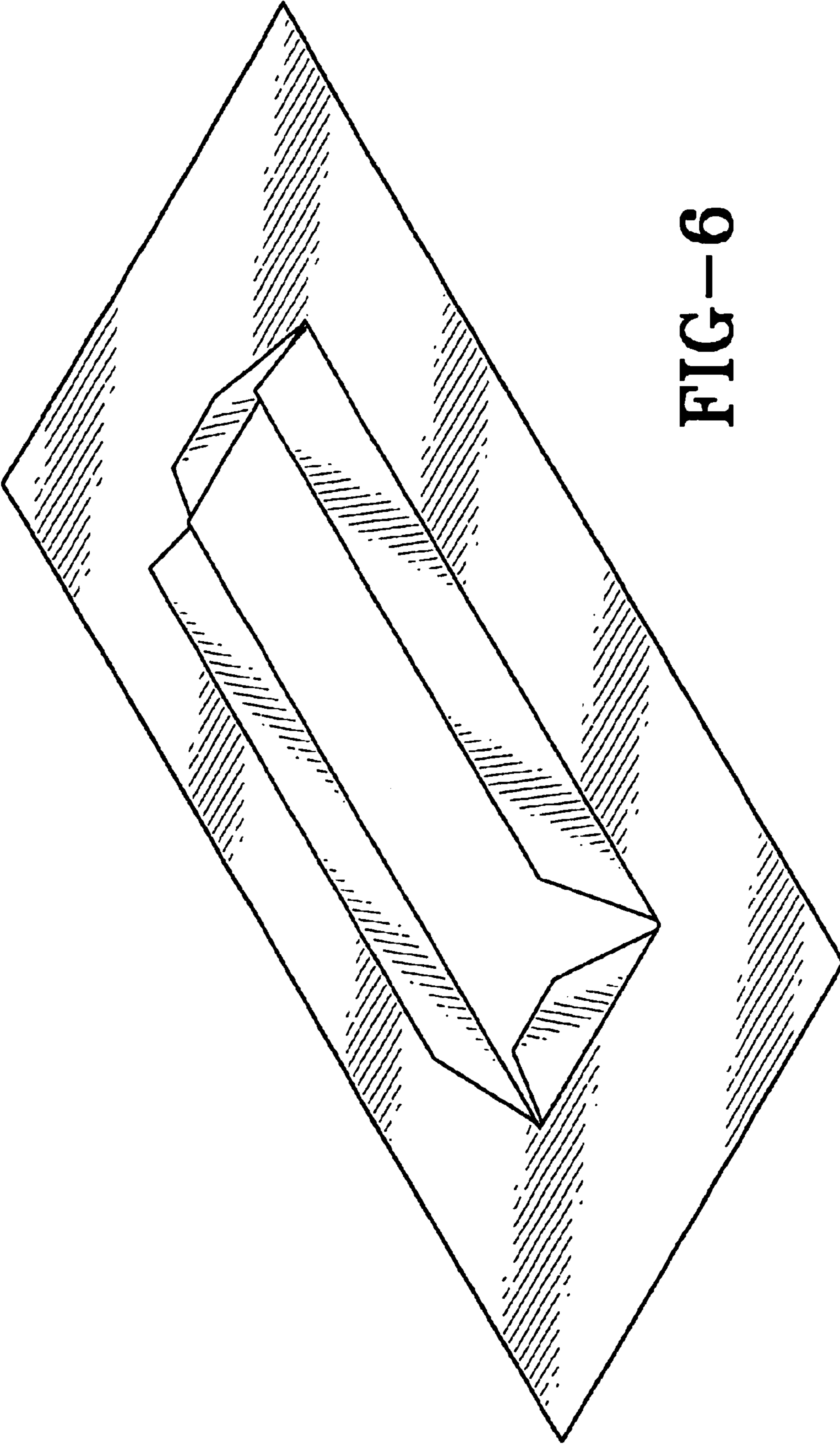


FIG-5



**FIG-6**

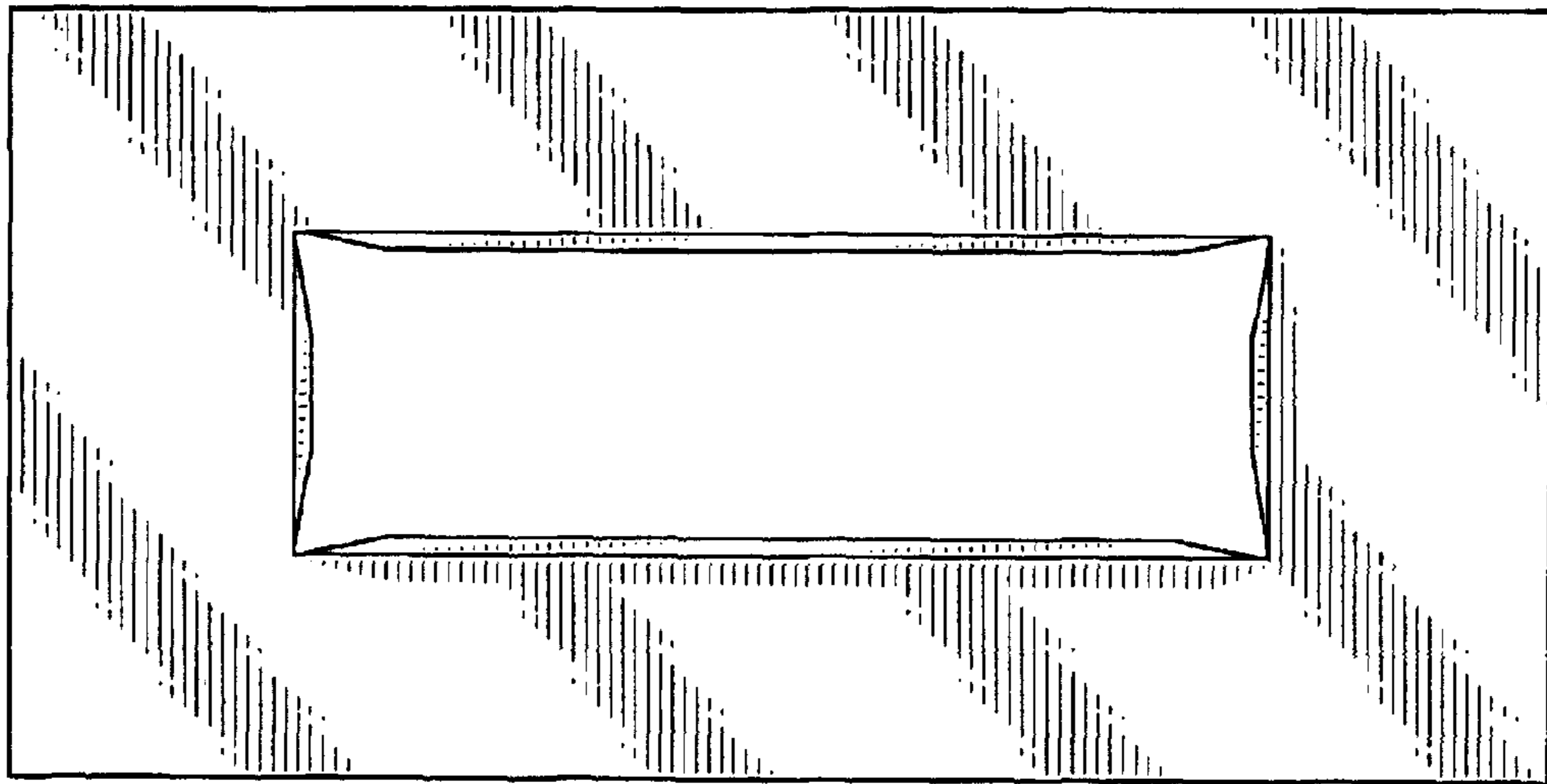


FIG-7

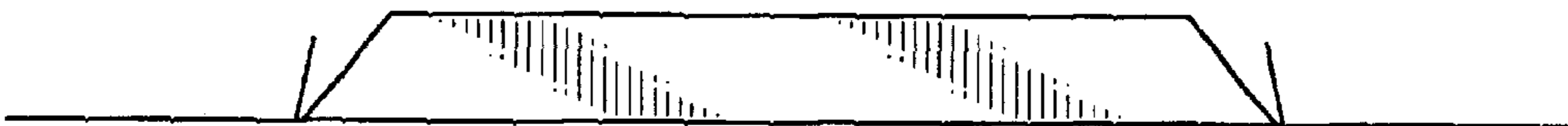


FIG-8



FIG-9

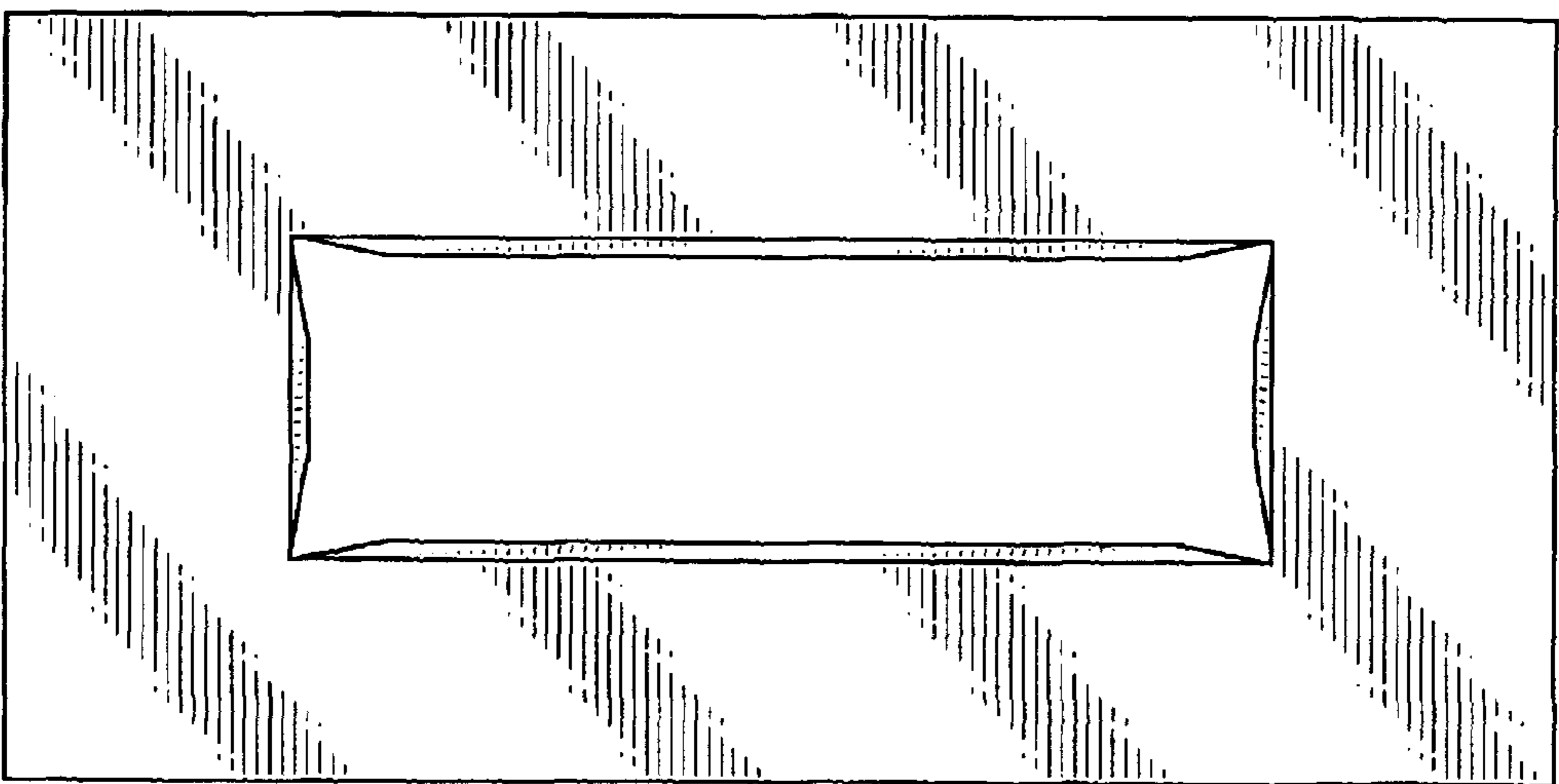


FIG-10