

US00D494263S1

(12) **United States Design Patent**
Yoo

(10) **Patent No.:** **US D494,263 S**
(45) **Date of Patent:** **** Aug. 10, 2004**

(54) **WINDOW INSTALLED TYPE AIR-CONDITIONER**

(75) **Inventor:** **Joong Gil Yoo, Seoul (KR)**

(73) **Assignee:** **LG Electronics Inc., Seoul (KR)**

(**) **Term:** **14 Years**

(21) **Appl. No.:** **29/167,708**

(22) **Filed:** **Sep. 20, 2002**

(30) **Foreign Application Priority Data**

Mar. 22, 2002 (KR) 30-2002-0008305

(51) **LOC (7) Cl.** **23-04**

(52) **U.S. Cl.** **D23/353**

(58) **Field of Search** D23/351-354,
D23/333; 62/259.1, 259.4, 262-63, 304,
324.1, DIG. 16; 312/236; 454/201-204

(56) **References Cited**

U.S. PATENT DOCUMENTS

D178,664 S * 9/1956 Howe D23/351

D390,647 S * 2/1998 Molnar D23/354
D416,993 S * 11/1999 Dong et al. D23/333
D448,463 S * 9/2001 Takagi et al. D23/353
D449,096 S * 10/2001 Takagi et al. D23/353

* cited by examiner

Primary Examiner—Brian N Vinson

(74) *Attorney, Agent, or Firm*—Birch, Stewart, Kolasch & Birch, LLP

(57) **CLAIM**

The ornamental design for window installed type air-conditioner, as shown and described.

DESCRIPTION

FIG. 1 is perspective view of the window installed type air-conditioner;
FIG. 2 is a front view thereof;
FIG. 3 is a rear view thereof;
FIG. 4 is a left side view thereof, the right side being a mirror image;
FIG. 5 is a top plan view thereof; and,
FIG. 6 is a bottom plan view thereof.

1 Claim, 4 Drawing Sheets

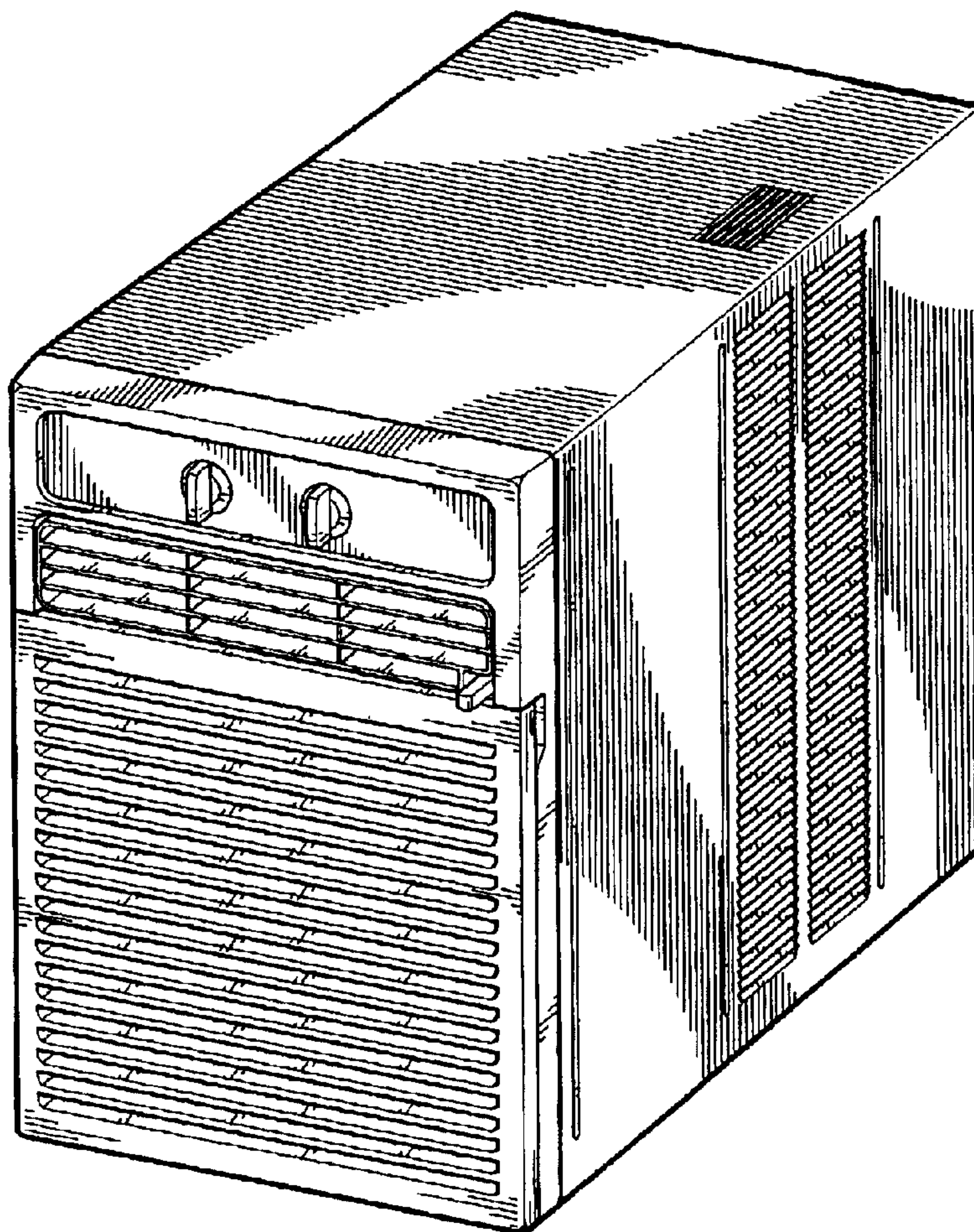


FIG. 1

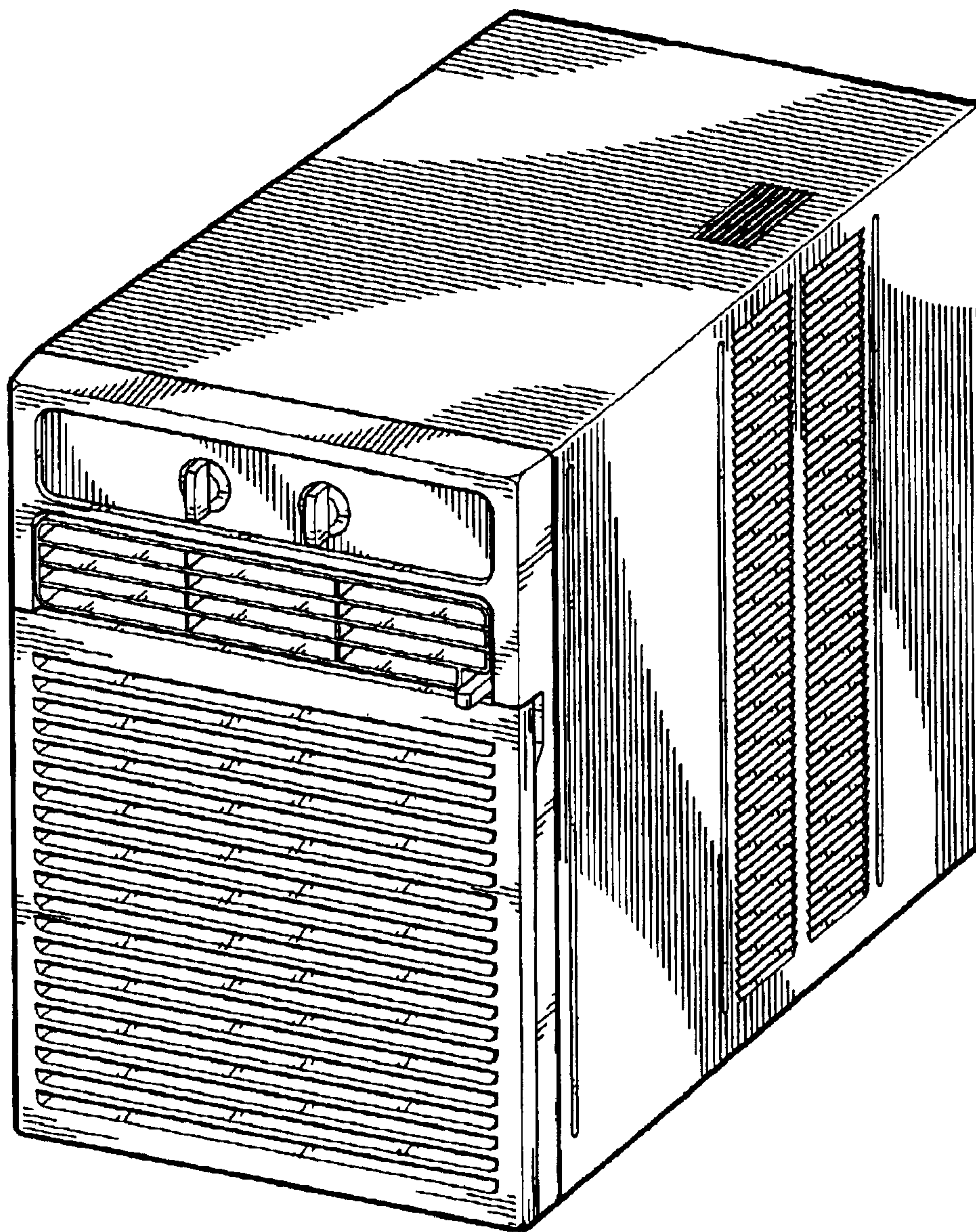


FIG. 2

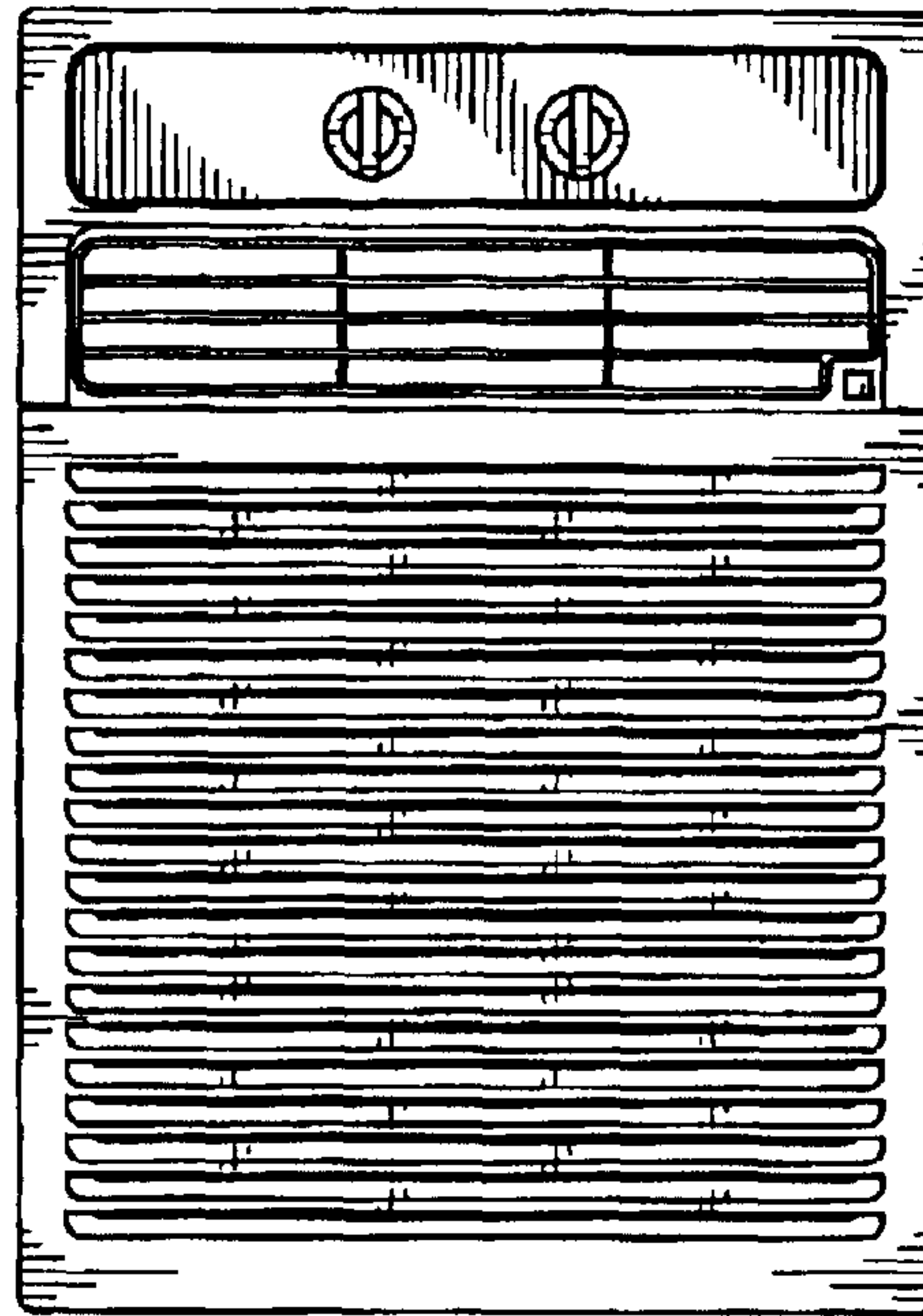


FIG. 3

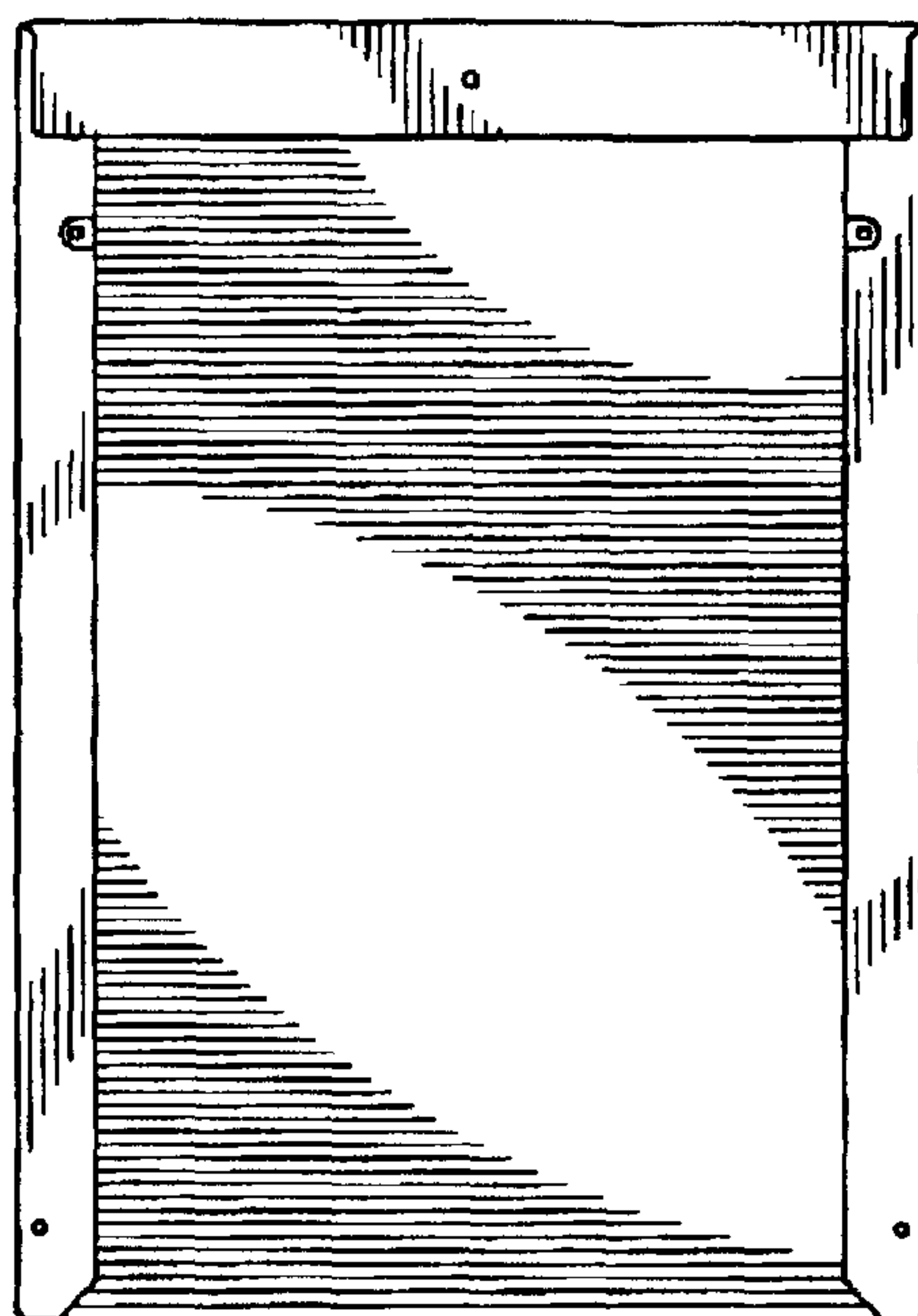


FIG. 4

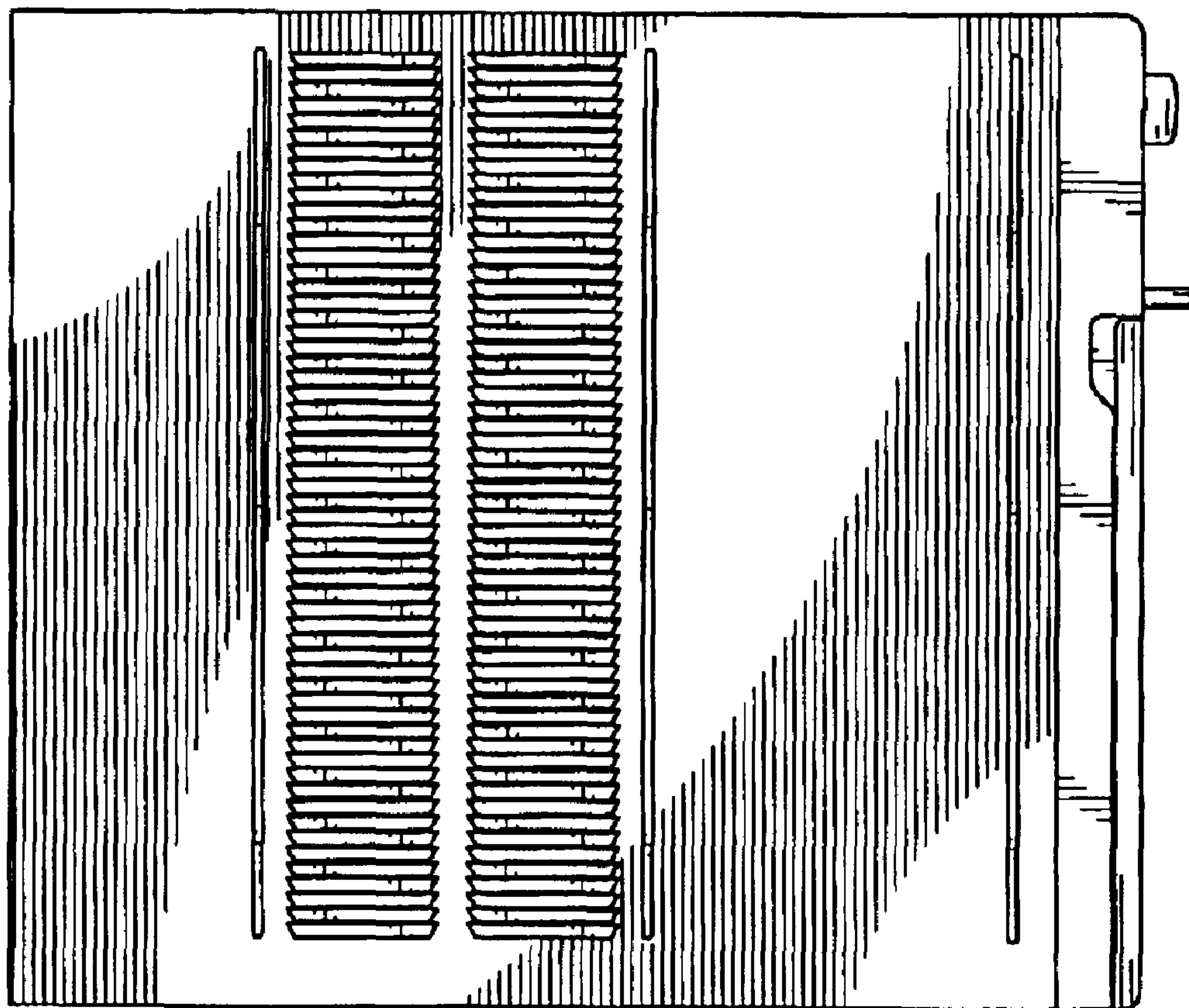


FIG. 5

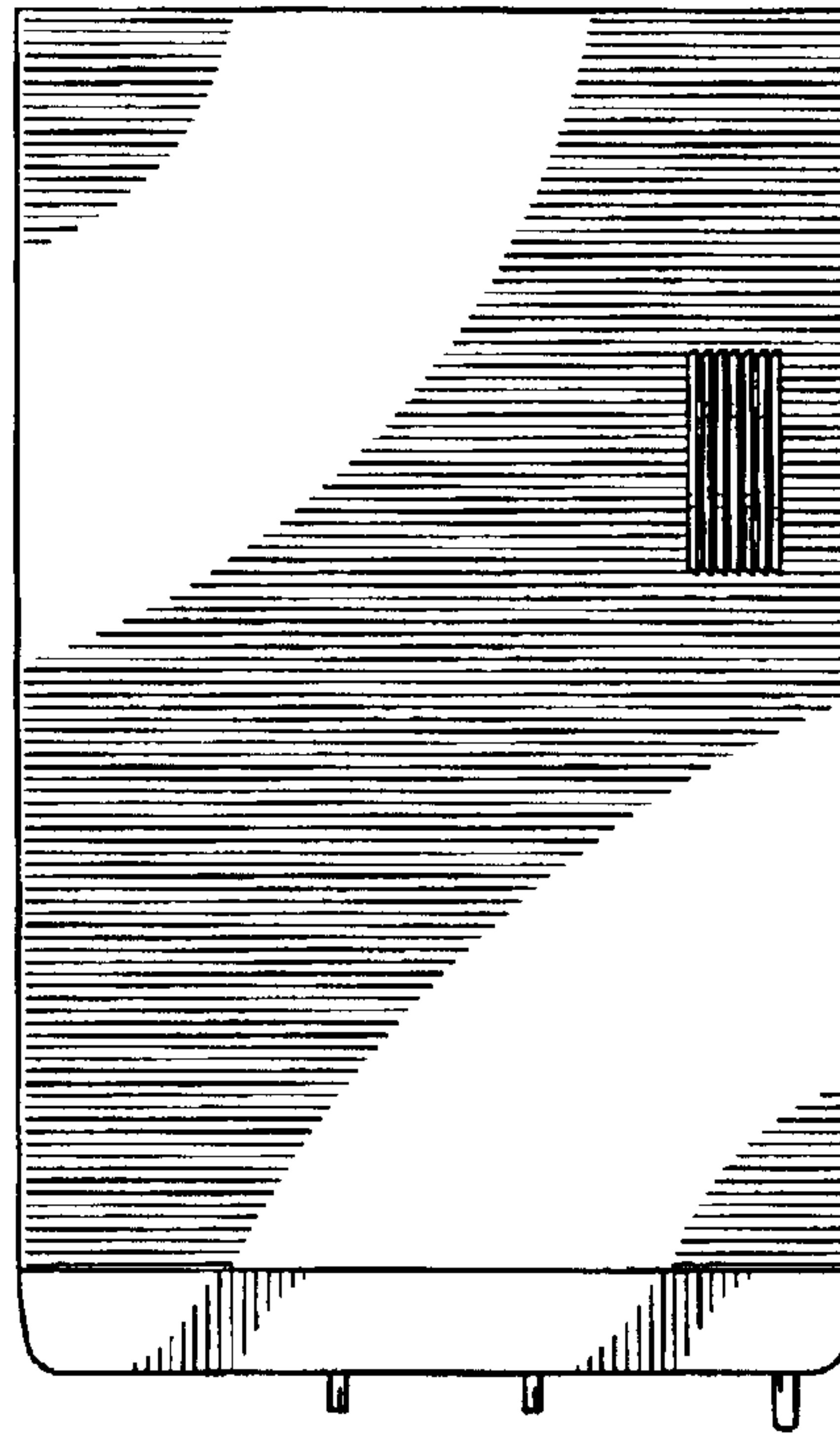


FIG. 6

