

US00D494262S1

(12) **United States Design Patent**
Lin

(10) **Patent No.:** **US D494,262 S**

(45) **Date of Patent:** **** Aug. 10, 2004**

(54) **SHOWER HEAD FIXTURE**

(75) **Inventor:** **Shih-Hung Lin**, Taichung Export Processing Zone (TW)

(73) **Assignee:** **Globe Union Industrial Corp.**, Taichung Export Processing Zone (TW)

(**) **Term:** **14 Years**

(21) **Appl. No.:** **29/187,390**

(22) **Filed:** **Aug. 1, 2003**

(51) **LOC (7) Cl.** **23-01**

(52) **U.S. Cl.** **D23/304; D23/213**

(58) **Field of Search** D23/213, 229, D23/230, 304, 228; 239/587.1, 280, 280.5; 4/605, 615

(56) **References Cited**

U.S. PATENT DOCUMENTS

5,022,103 A * 6/1991 Faist 4/596
D428,125 S * 7/2000 Chan D23/304

D431,072 S * 9/2000 Milrud et al. D23/304
D463,528 S * 9/2002 Ouyoung D23/230
6,464,265 B1 * 10/2002 Mikol 285/333

* cited by examiner

Primary Examiner—Robin V. Taylor

(74) *Attorney, Agent, or Firm*—Leong C. Lei

(57) **CLAIM**

The ornamental design for a shower head fixture, as shown and described.

DESCRIPTION

FIG. 1 is perspective view of a shower head fixture showing my new design;

FIG. 2 is a front side elevation view thereof;

FIG. 3 is a rear side elevation view thereof;

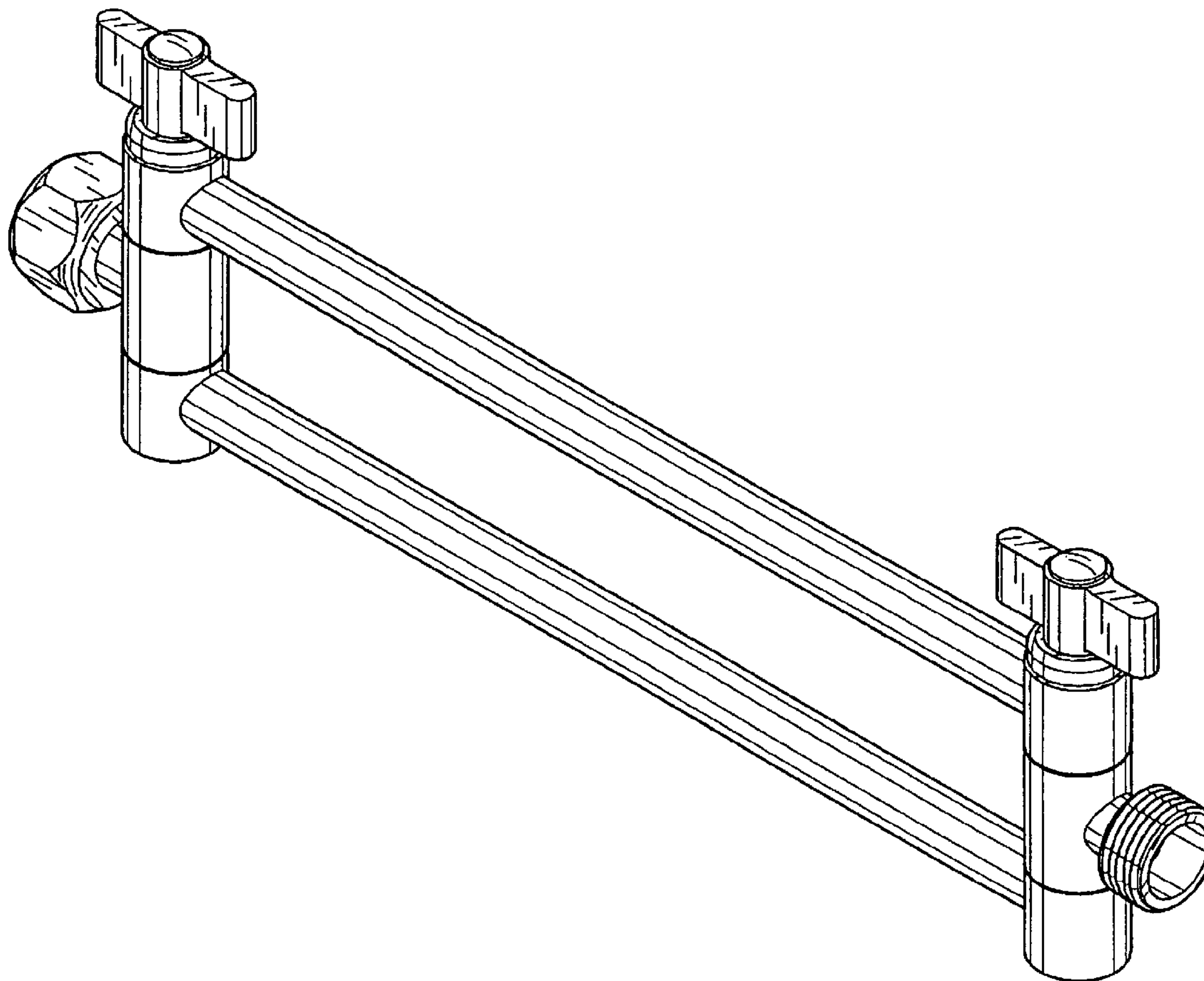
FIG. 4 is a left side elevation view thereof;

FIG. 5 is a right side elevation view thereof;

FIG. 6 is a top plan view thereof; and,

FIG. 7 is a bottom plan view thereof.

1 Claim, 5 Drawing Sheets



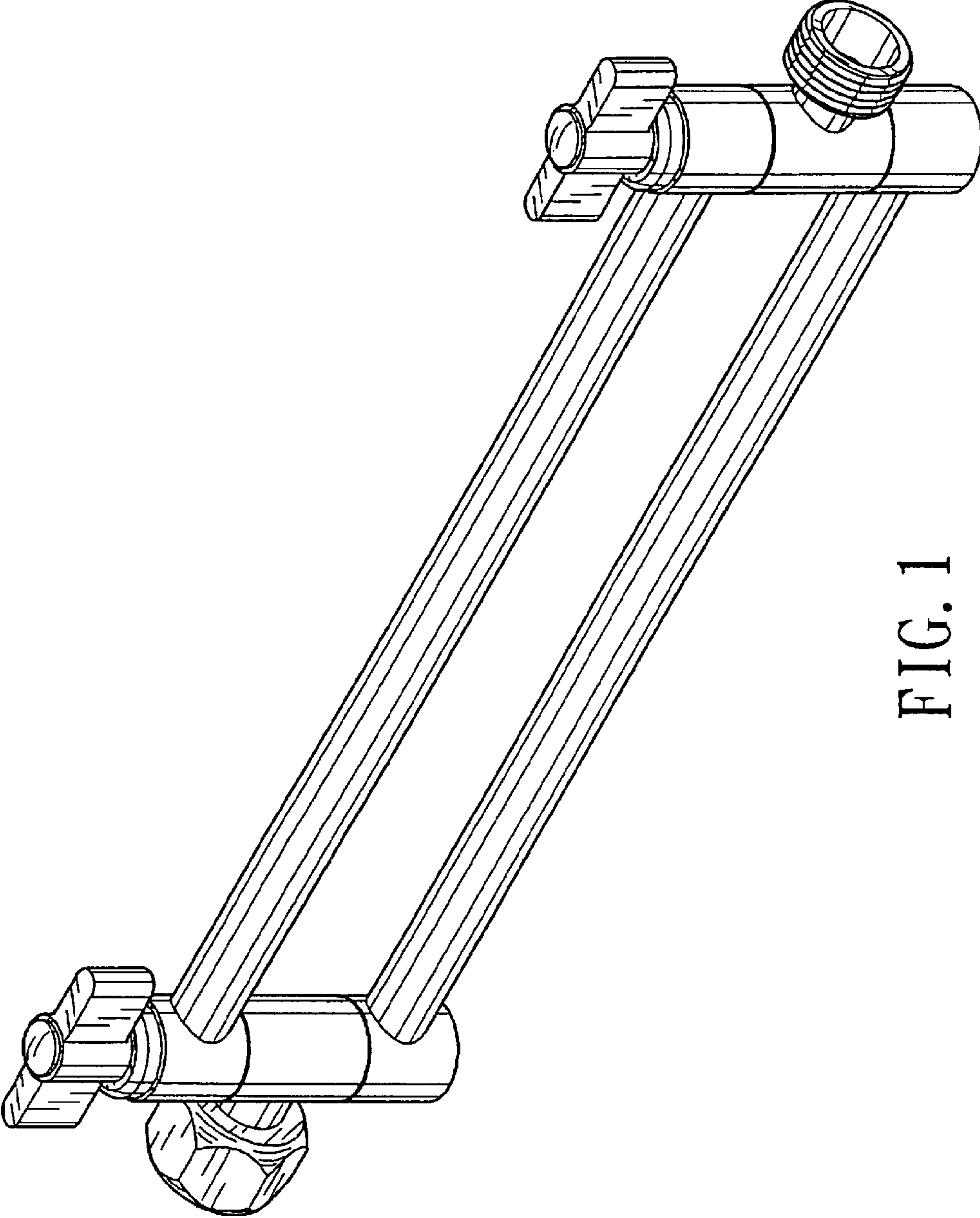


FIG. 1

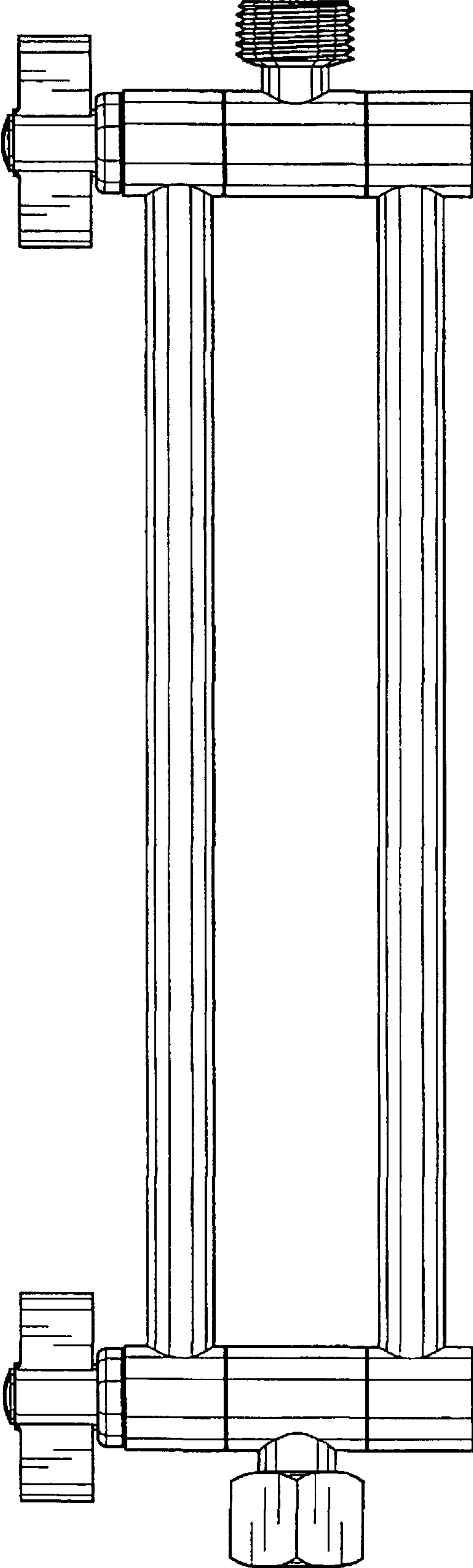


FIG. 2

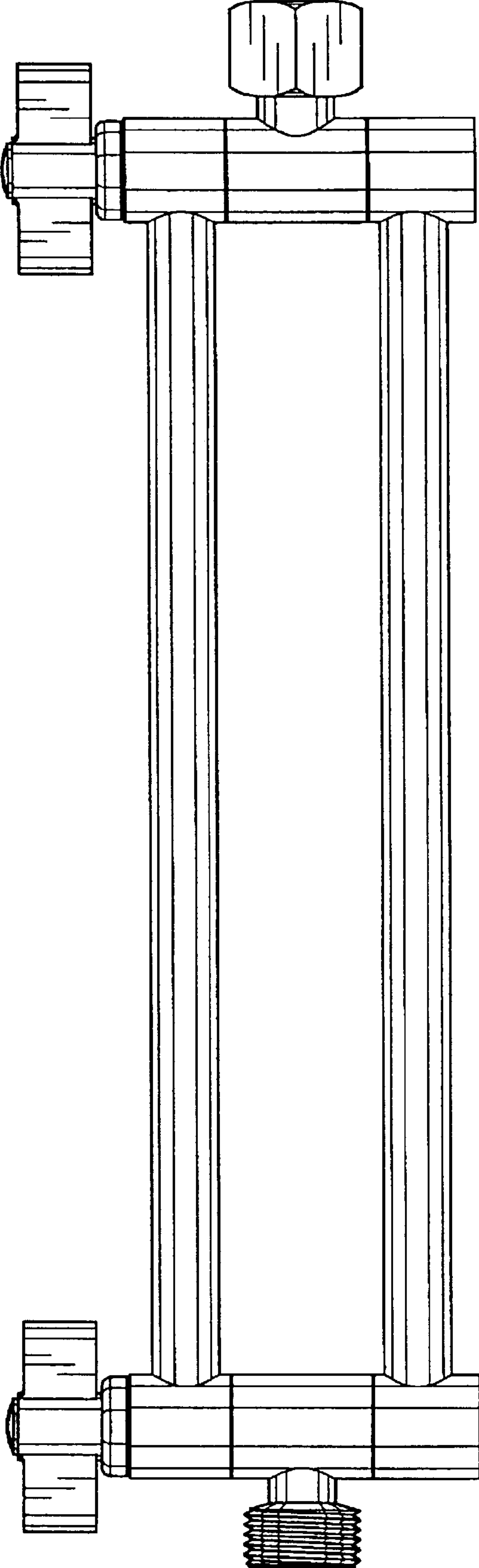


FIG. 3

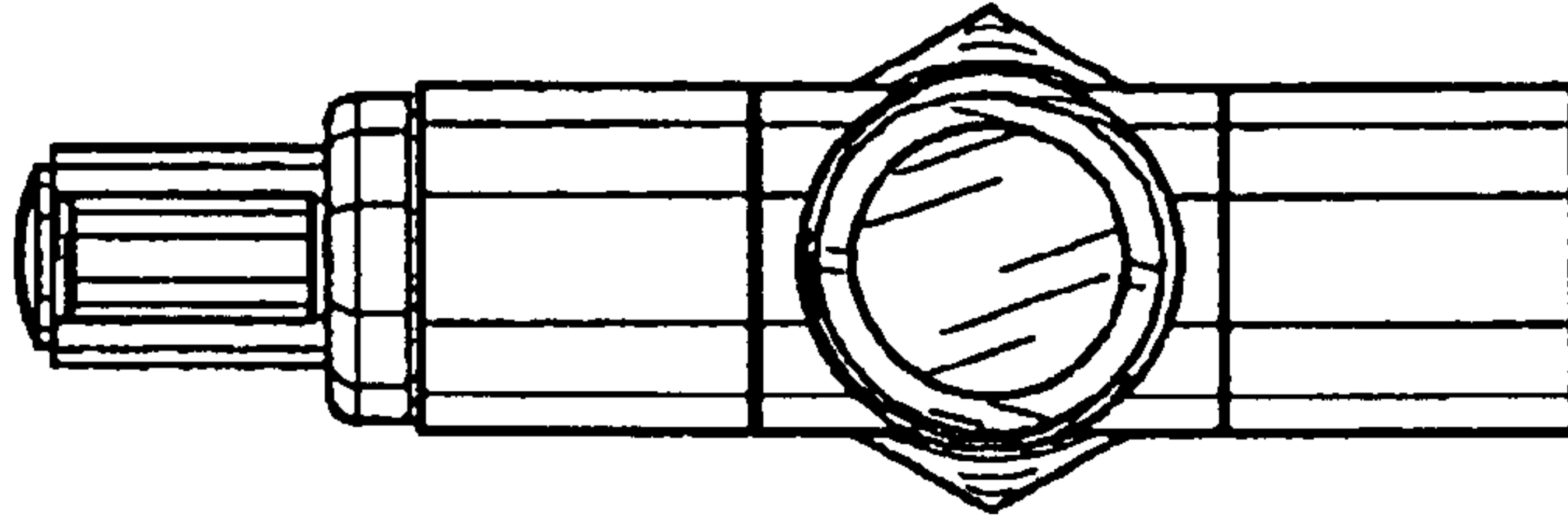


FIG. 5

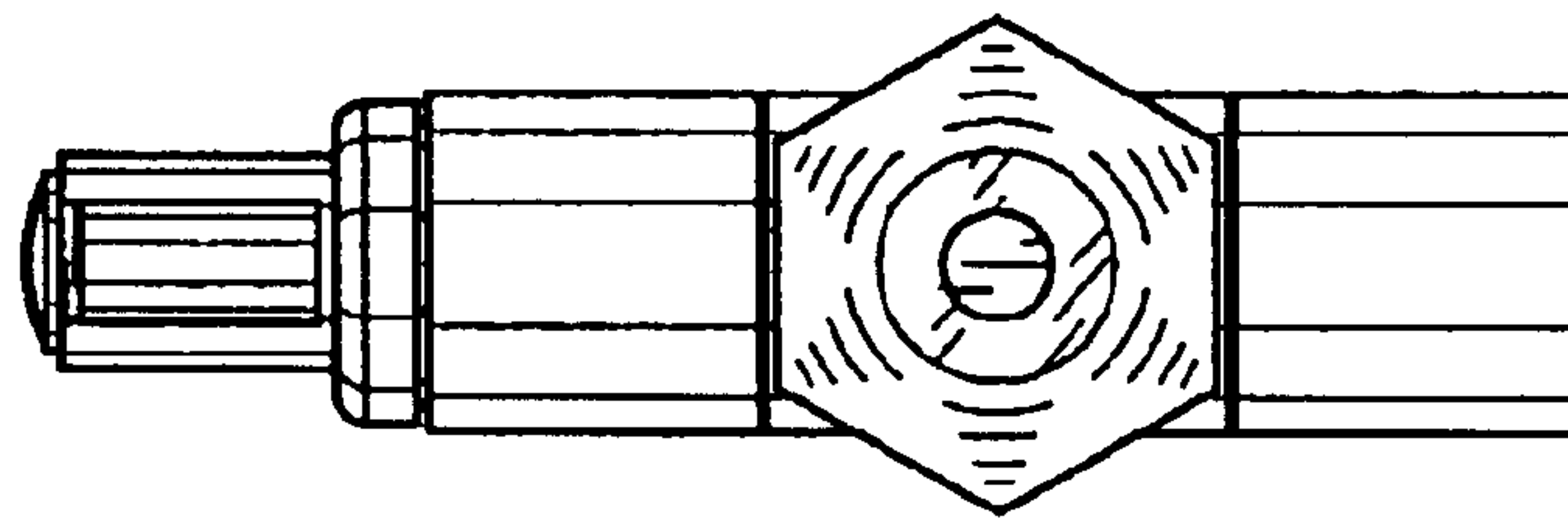


FIG. 4

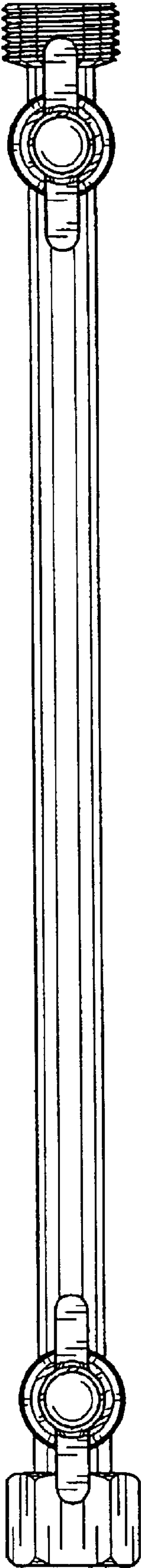


FIG. 6

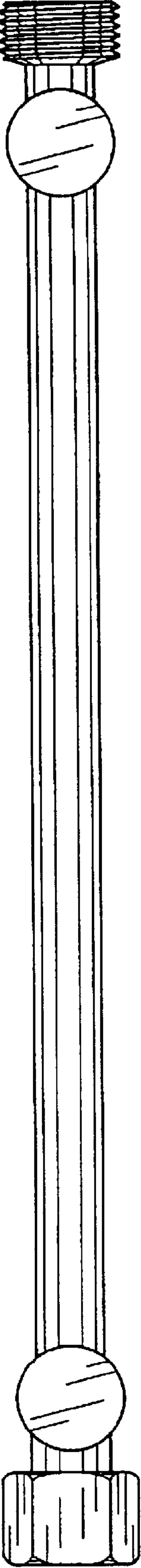


FIG. 7