



US00D494259S1

(12) **United States Design Patent**
Chen et al.

(10) **Patent No.: US D494,259 S**

(45) **Date of Patent: ** Aug. 10, 2004**

(54) **UTILITY BOWL**

1,709,144 A * 4/1929 Maeller 4/647
3,975,781 A * 8/1976 Klimboff et al. 4/647
D382,332 S * 8/1997 Schwartz D23/284

(75) Inventors: **Peter Chen**, West Windsor, NJ (US);
Kevin Hui-Lien Lee, East Brunswick,
NJ (US); **Jungkun Lee**, Edison, NJ
(US)

* cited by examiner

Primary Examiner—Robert A. Delehanty
(74) *Attorney, Agent, or Firm*—Daniel Kirshner, Esq.

(73) Assignee: **Officemate International Corp.**,
Edison, NJ (US)

(57) **CLAIM**

(**) Term: **14 Years**

The ornamental design for a utility bowl, as shown.

(21) Appl. No.: **29/193,015**

DESCRIPTION

(22) Filed: **Oct. 30, 2003**

FIG. 1 is a front prospective view of the utility bowl showing the design;

(51) **LOC (7) Cl.** **23-02**

FIG. 2 is a front elevational view thereof;

(52) **U.S. Cl.** **D23/293.1**

FIG. 3 is a back elevational view thereof;

(58) **Field of Search** D23/271, 273,
D23/284–287, 293.1, 303, 308, 289–292;
4/630–642, 661, 663–665, 650–652, 624–625,
647

FIG. 4 is a right side elevational view thereof;

FIG. 5 is a left side elevational view thereof;

FIG. 6 is a top plan view thereof;

FIG. 7 is a bottom plan view thereof; and,

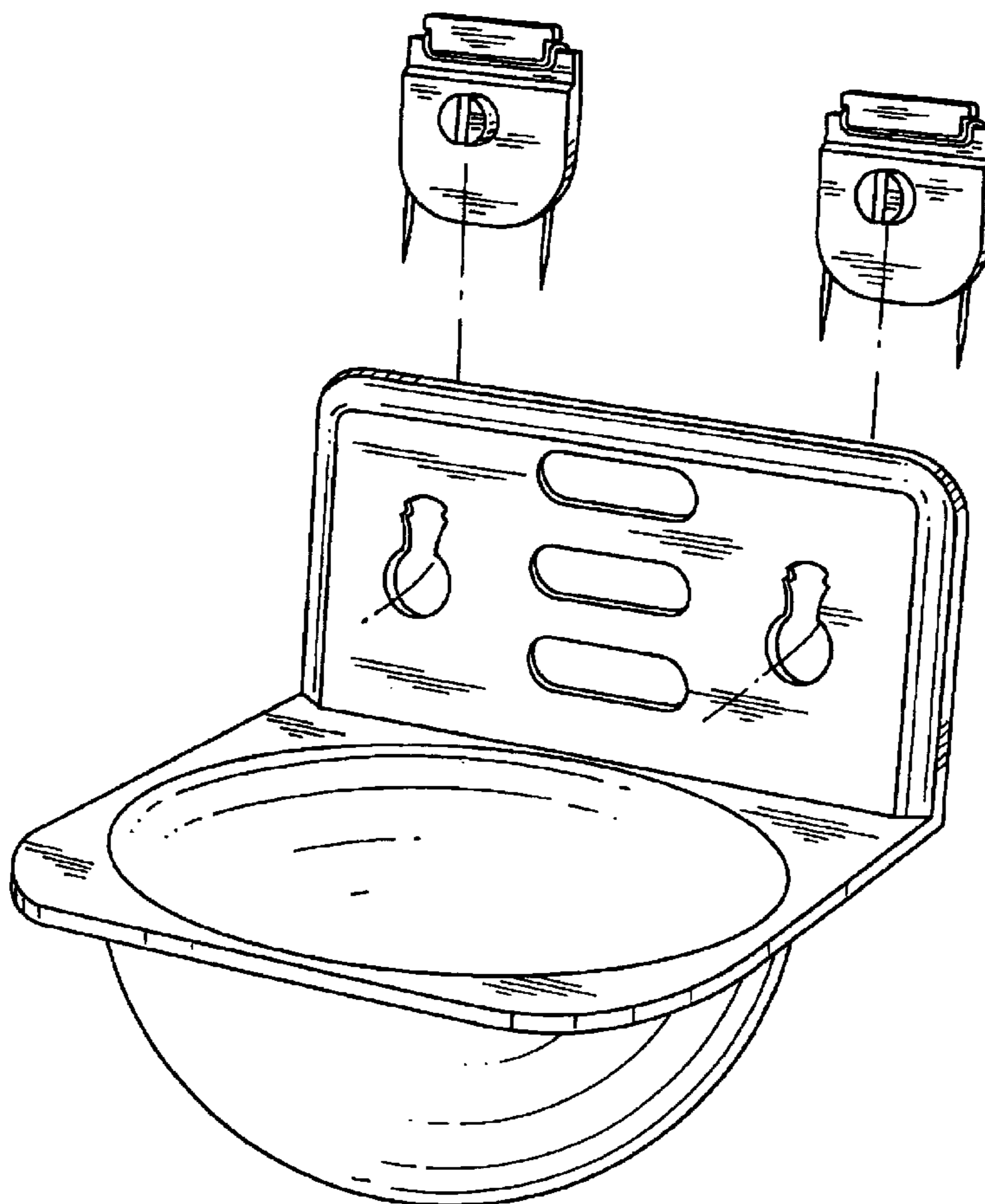
FIG. 8 is a front prospective view thereof showing the attachment devices detached.

(56) **References Cited**

U.S. PATENT DOCUMENTS

847,018 A * 3/1907 Maddock 4/650

1 Claim, 5 Drawing Sheets



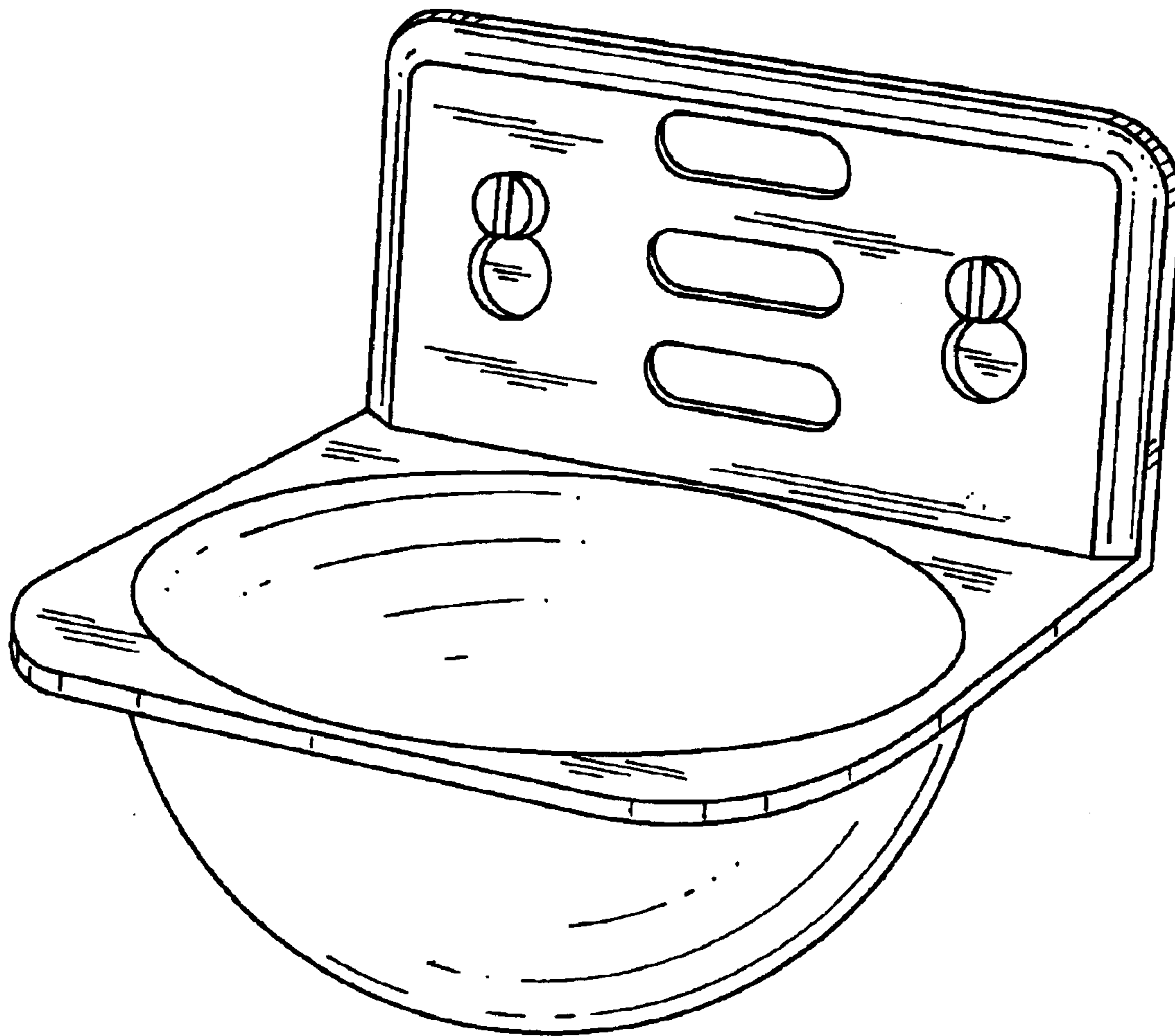


FIG. 1

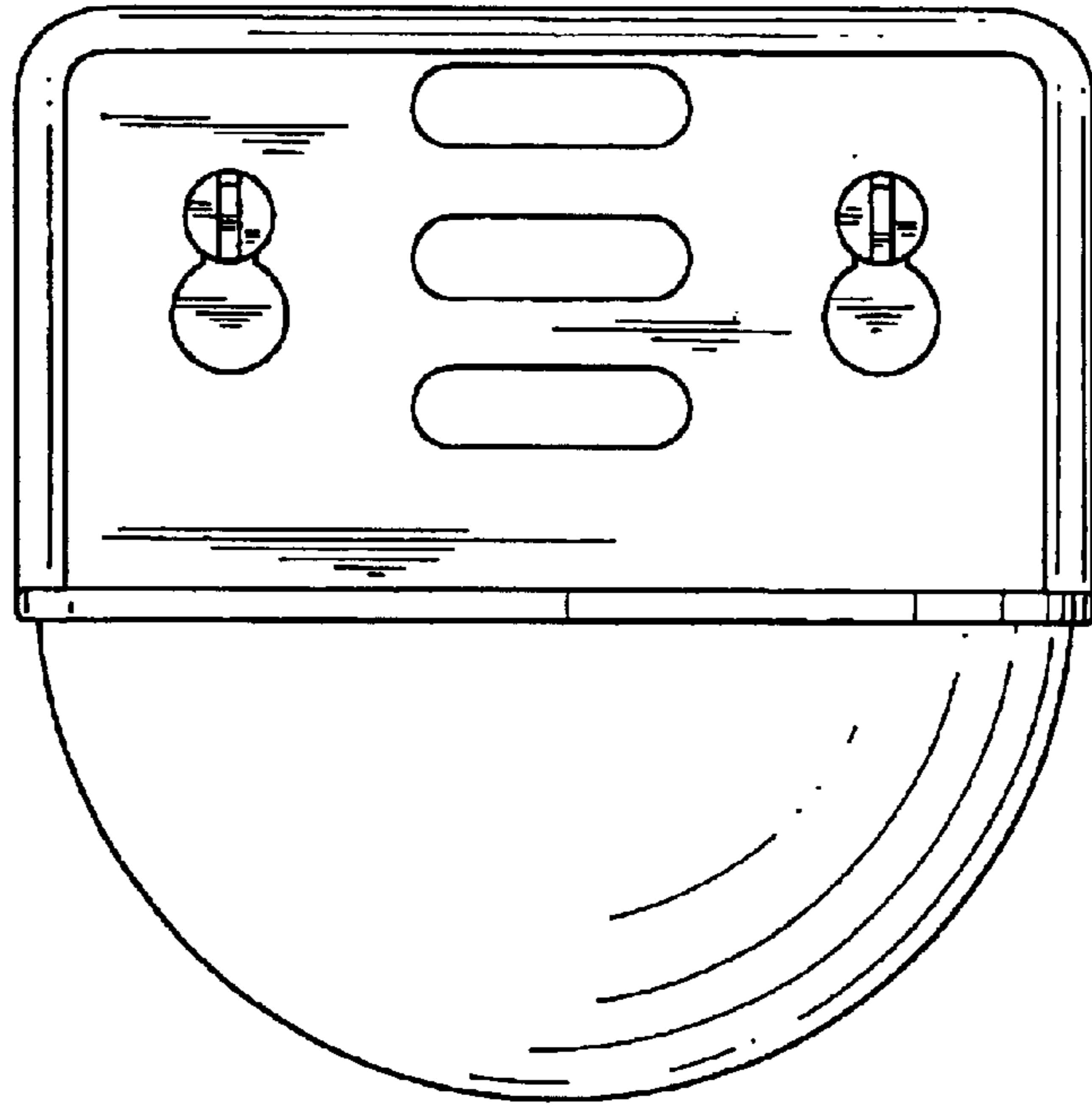


FIG. 2

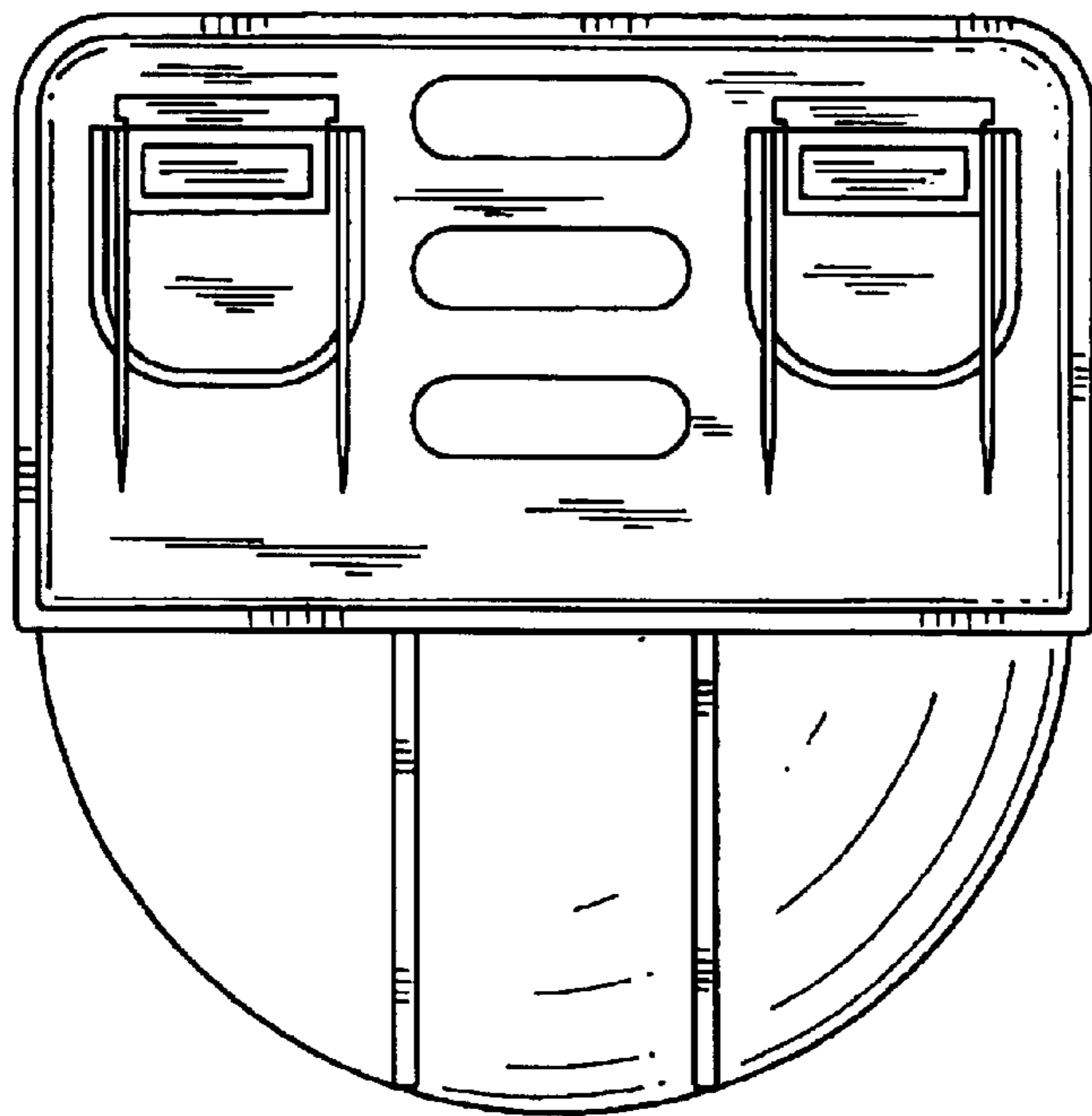


FIG. 3

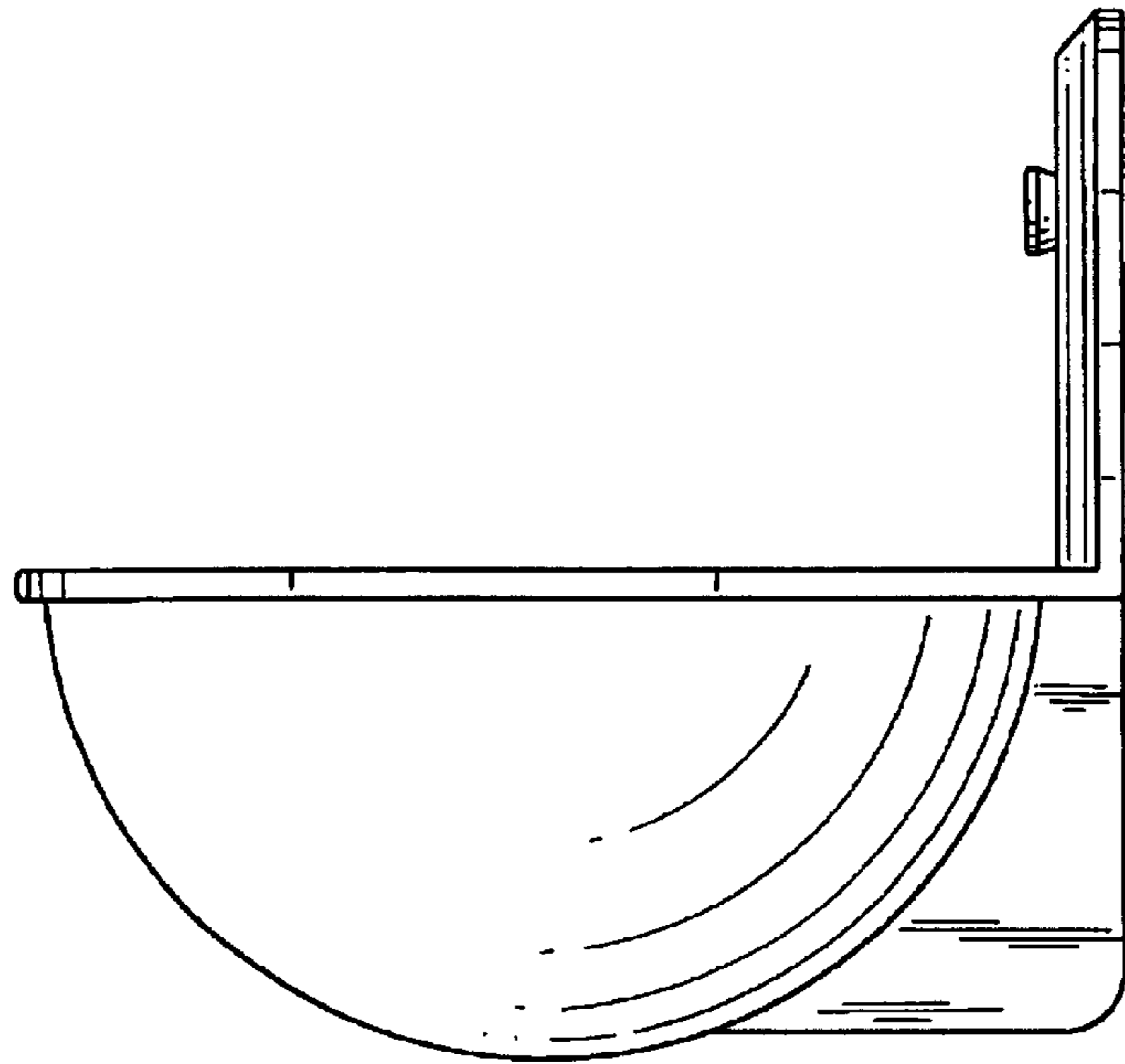


FIG. 4

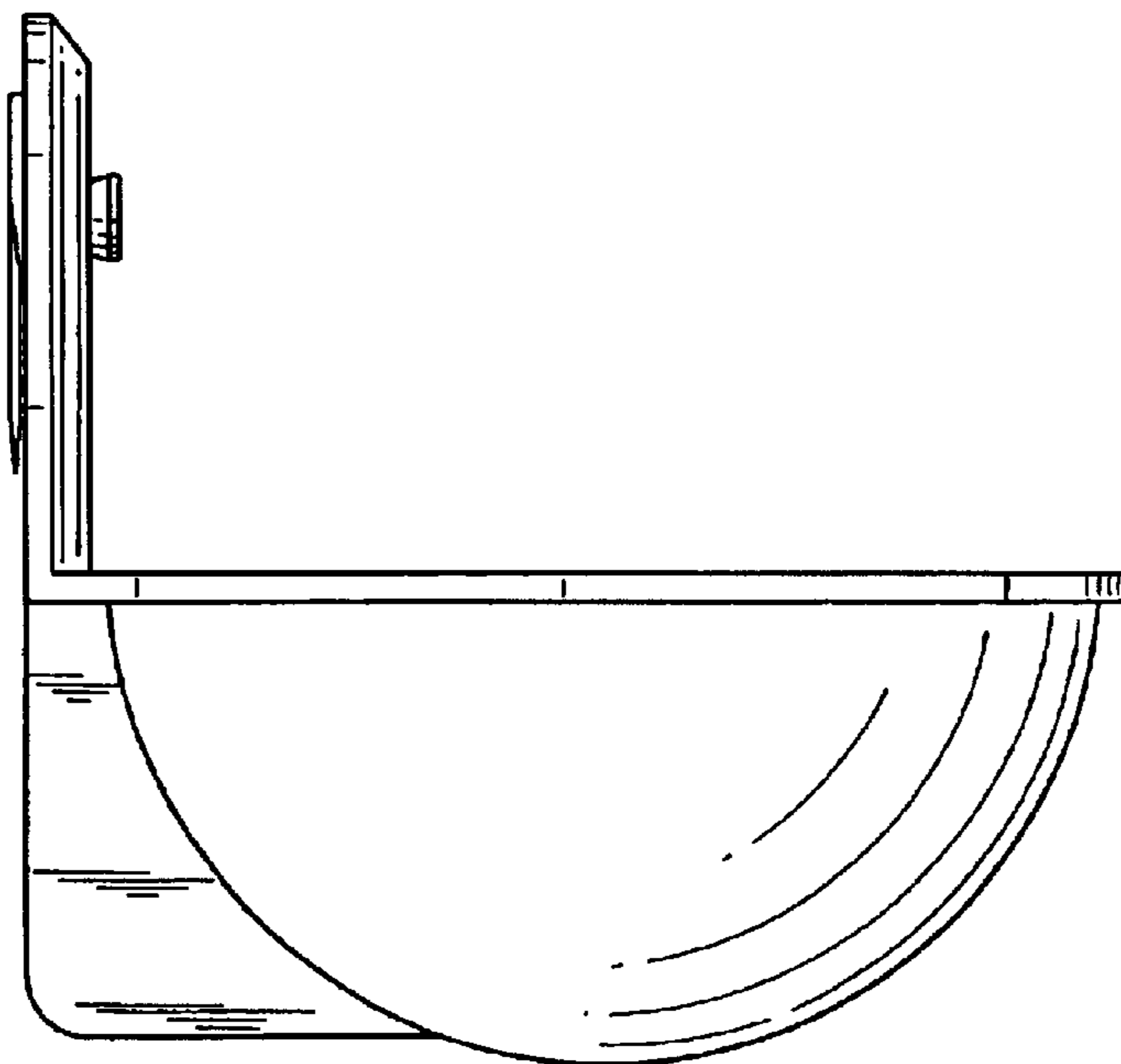


FIG. 5

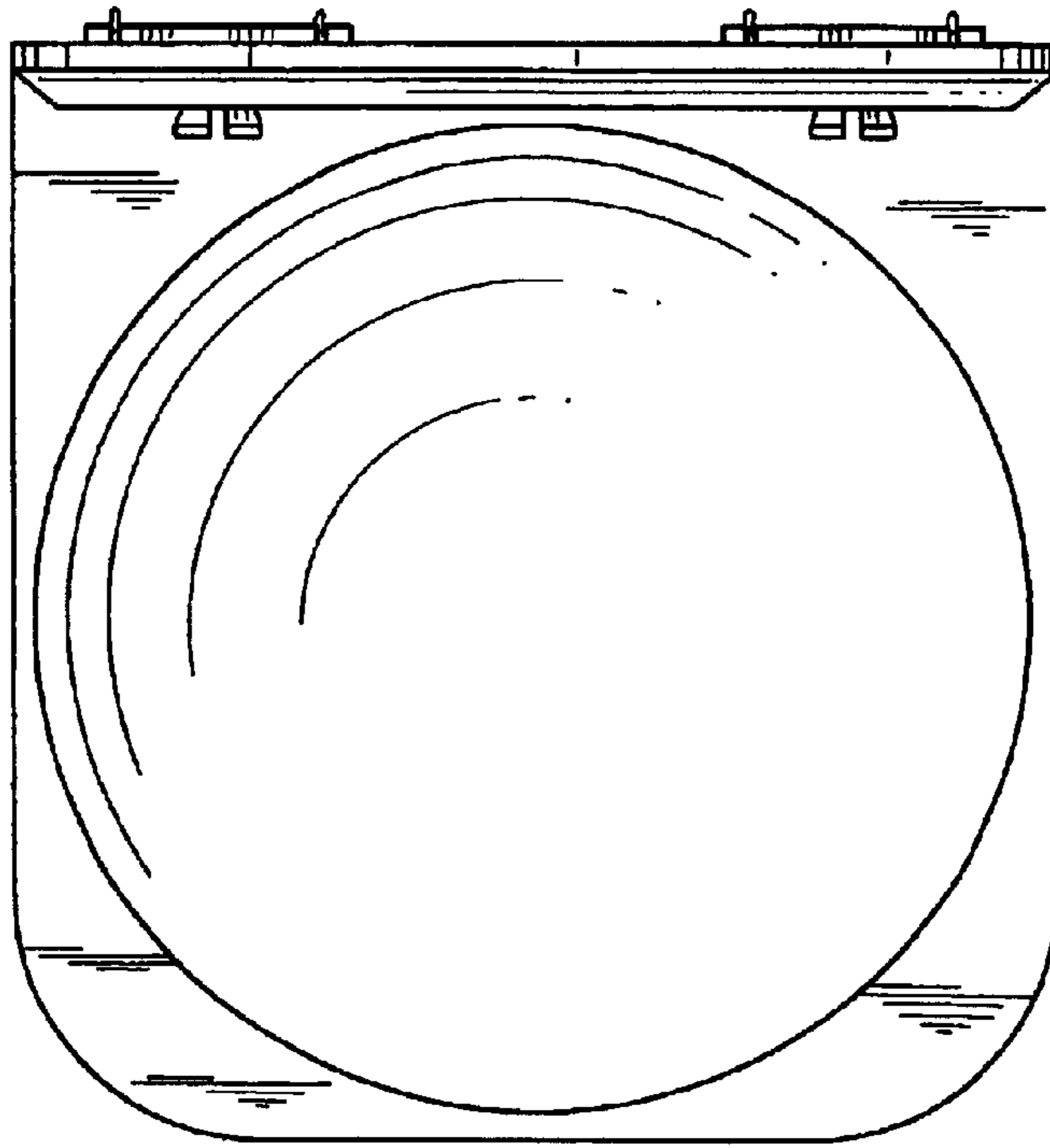


FIG. 6

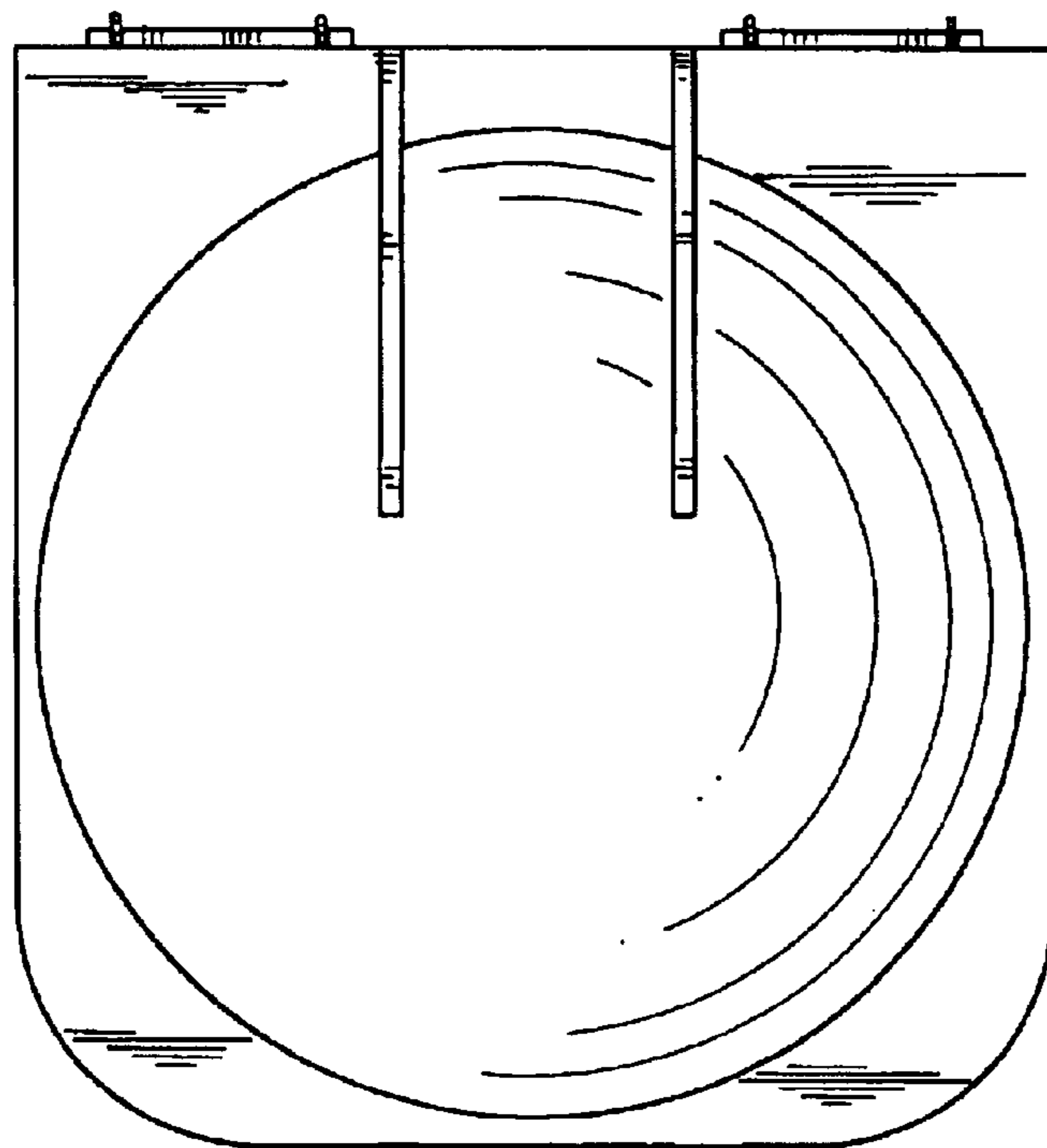


FIG. 7

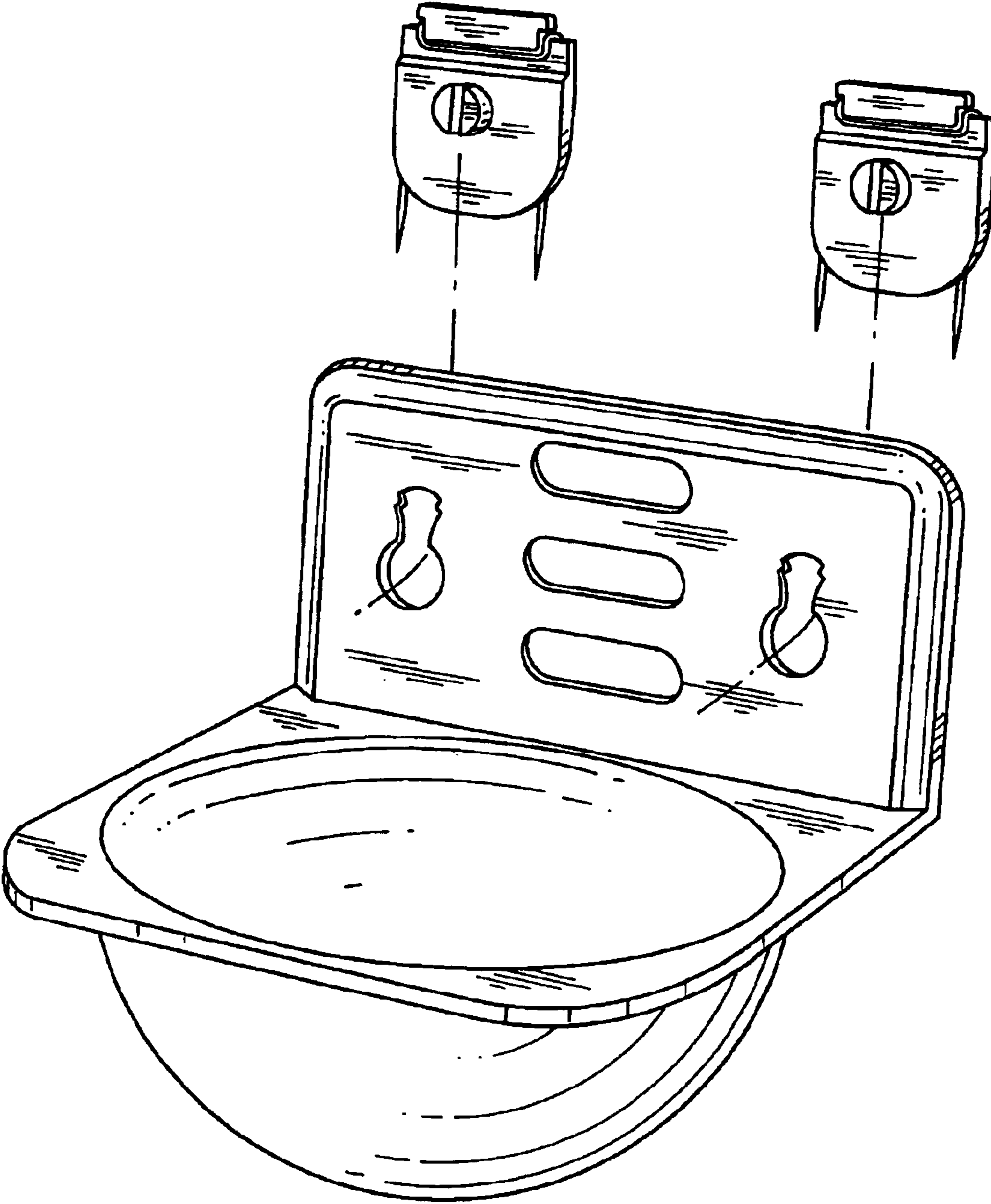


FIG. 8