

US00D494258S1

(12) **United States Design Patent** (10) **Patent No.:** **US D494,258 S**
Arnold (45) **Date of Patent:** **** Aug. 10, 2004**

(54) **DOUBLE-BOWL SINK**
 (75) Inventor: **Don C. Arnold**, Libertyville, IL (US)
 (73) Assignee: **Franke Consumer Products, Inc.**,
 Hatfield, PA (US)
 (**) Term: **14 Years**
 (21) Appl. No.: **29/184,061**
 (22) Filed: **Oct. 29, 2003**
 (51) **LOC (7) Cl.** **23-02**
 (52) **U.S. Cl.** **D23/290**
 (58) **Field of Search** D23/271, 273,
 D23/284, 290, 303, 308; 4/630-642, 661

D380,529 S 7/1997 Laughton
 D389,230 S 1/1998 Johnson
 D395,699 S 6/1998 Hundley
 D398,970 S 9/1998 Gardner et al.
 D401,310 S 11/1998 Chang
 D402,014 S 12/1998 Chang
 D427,670 S 7/2000 Svendsen et al.
 D428,975 S 8/2000 Arnold et al.
 D430,925 S 9/2000 Svendsen et al.
 D445,883 S 7/2001 Svendsen et al.
 D450,374 S 11/2001 Svendsen et al.
 D451,585 S 12/2001 Svendsen et al.
 D455,821 S 4/2002 Bayer et al.
 D464,125 S 10/2002 Bayer et al.
 D464,126 S 10/2002 Bayer et al.
 D464,127 S 10/2002 Paredes et al.
 D464,410 S 10/2002 Paredes et al.
 D469,169 S 1/2003 Roberts
 D470,229 S 2/2003 Roberts
 D473,292 S 4/2003 Paredes
 D478,970 S 8/2003 Ziemann et al.
 D482,106 S * 11/2003 Ziemann et al. D23/290

(56) **References Cited**
U.S. PATENT DOCUMENTS

2,447,788 A 8/1948 Ball
 2,584,860 A 2/1952 Galley
 D192,493 S 4/1962 Lyon, Jr.
 D193,464 S 8/1962 Hauser
 D198,305 S 6/1964 Graning, Jr.
 D234,201 S 1/1975 Stairs, Jr.
 D234,464 S 3/1975 Stairs, Jr.
 D259,439 S 6/1981 Doman
 D295,068 S 4/1988 Kohler et al.
 D297,162 S 8/1988 Mück et al.
 D297,163 S 8/1988 Blanc et al.
 D298,163 S 10/1988 Downs
 D318,104 S 7/1991 Blanc et al.
 D319,302 S 8/1991 Ris
 D323,878 S 2/1992 Sauter et al.
 D323,879 S 2/1992 Sauter
 D324,097 S 2/1992 Evatt et al.
 D324,264 S 2/1992 Sauter et al.
 D324,908 S 3/1992 Sauter et al.
 D324,909 S 3/1992 Sauter et al.
 D325,246 S 4/1992 Sauter et al.
 D328,339 S 7/1992 Sauter et al.
 D352,771 S 11/1994 Walsh et al.
 D353,879 S 12/1994 Hauser, II
 D353,880 S 12/1994 Hauser, II
 D353,881 S 12/1994 Roach
 D355,023 S 1/1995 Kolada
 D355,949 S 2/1995 Laughton

* cited by examiner
Primary Examiner—Robert A. Delehanty
 (74) *Attorney, Agent, or Firm*—Wood, Phillips, Katz, Clark & Mortimer

(57) **CLAIM**

The ornamental design for a double-bowl sink, as shown and described.

DESCRIPTION

FIG. 1 is a perspective view taken from the top, front, and right side of a double-bowl sink showing my new design; FIG. 2 is a top plan thereof; FIG. 3 is a front elevation thereof; and, FIG. 4 is an elevation of the right side thereof, the left side thereof being a mirror image thereof. The undersigned of the sink shown in the accompanying drawings is not ornamental. Broken-line showings of openings for mounting of faucets, spray nozzles, or others fittings are for illustrative purposes only and form no part of my claimed design.

1 Claim, 2 Drawing Sheets

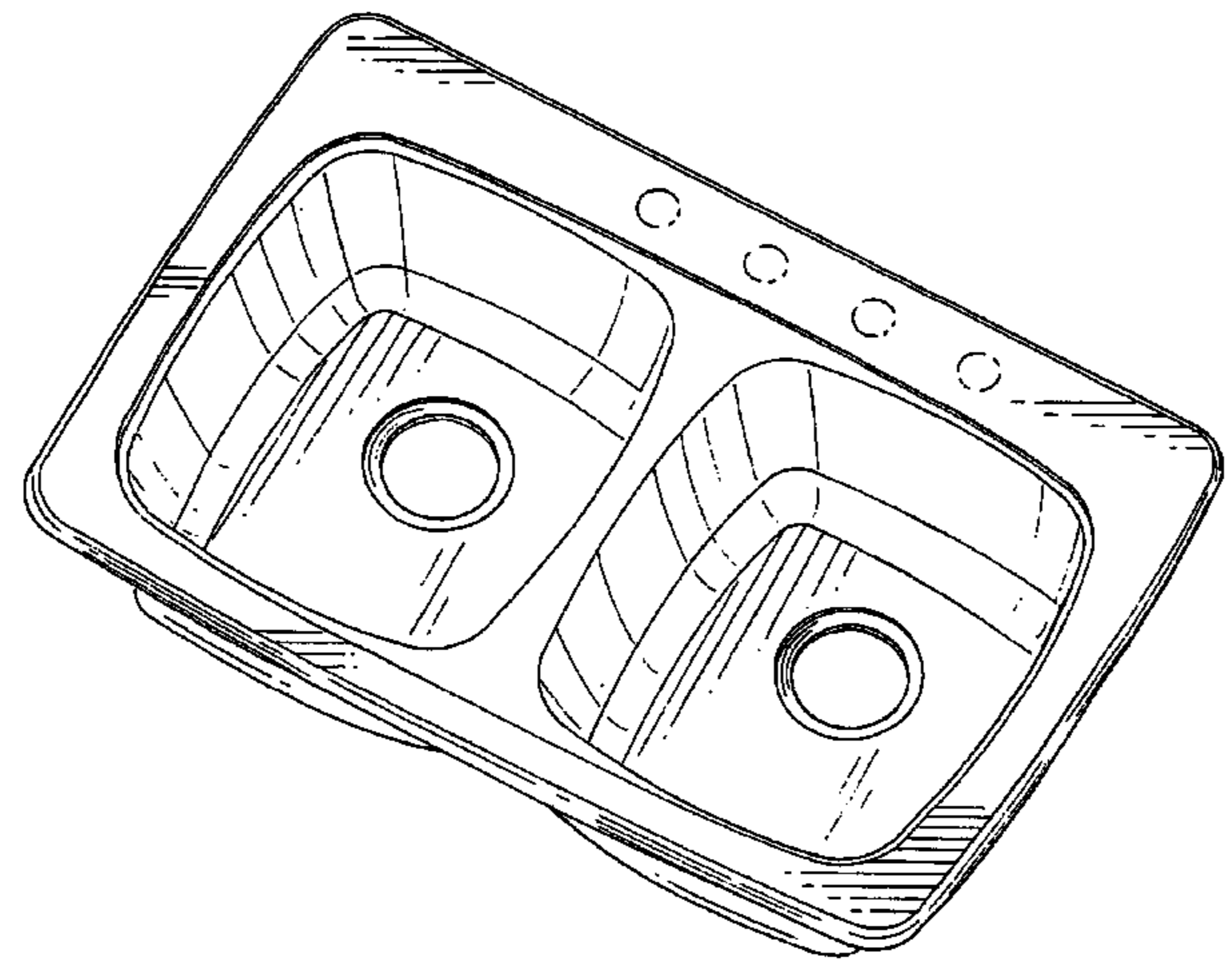


FIG. 1

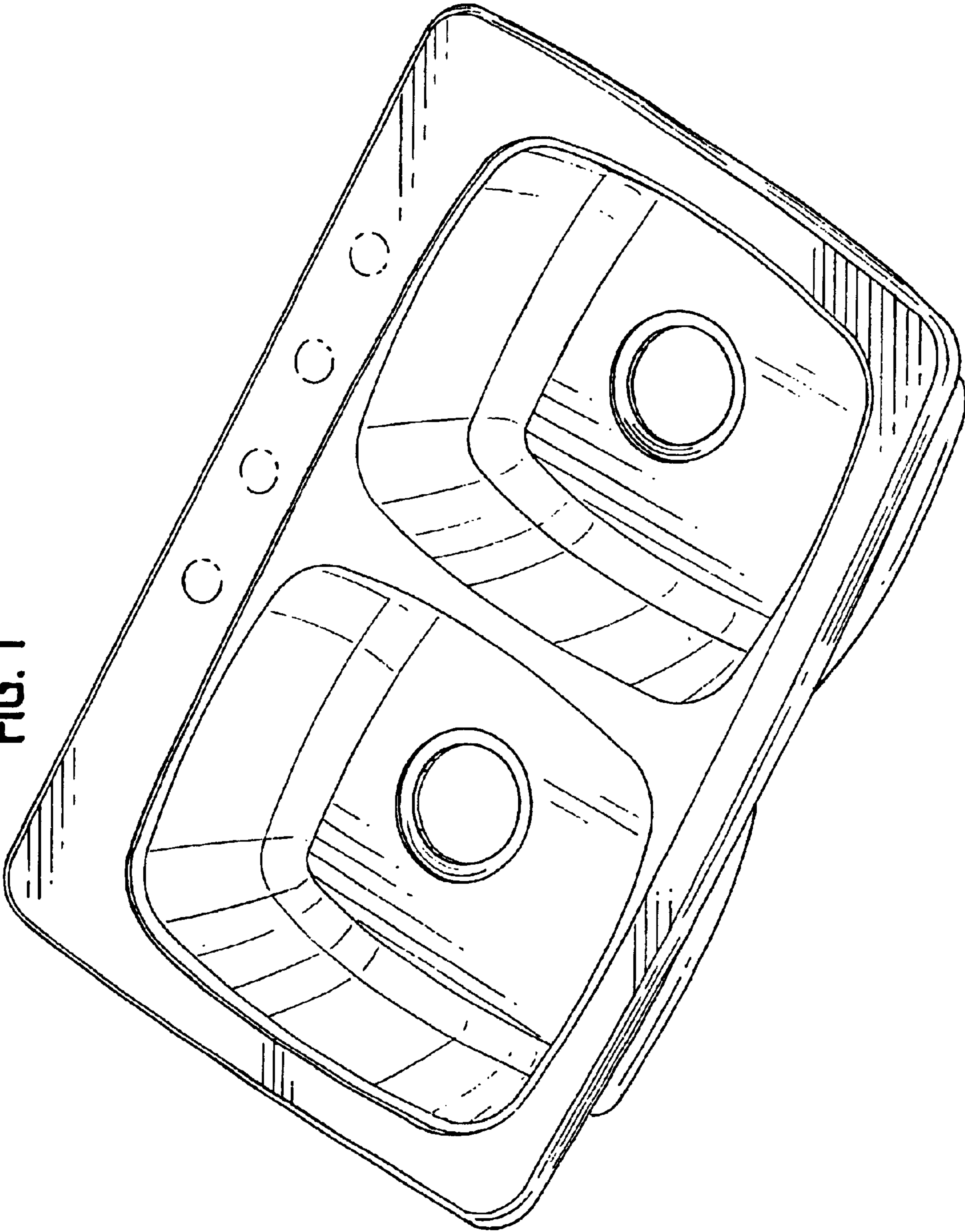


FIG. 2

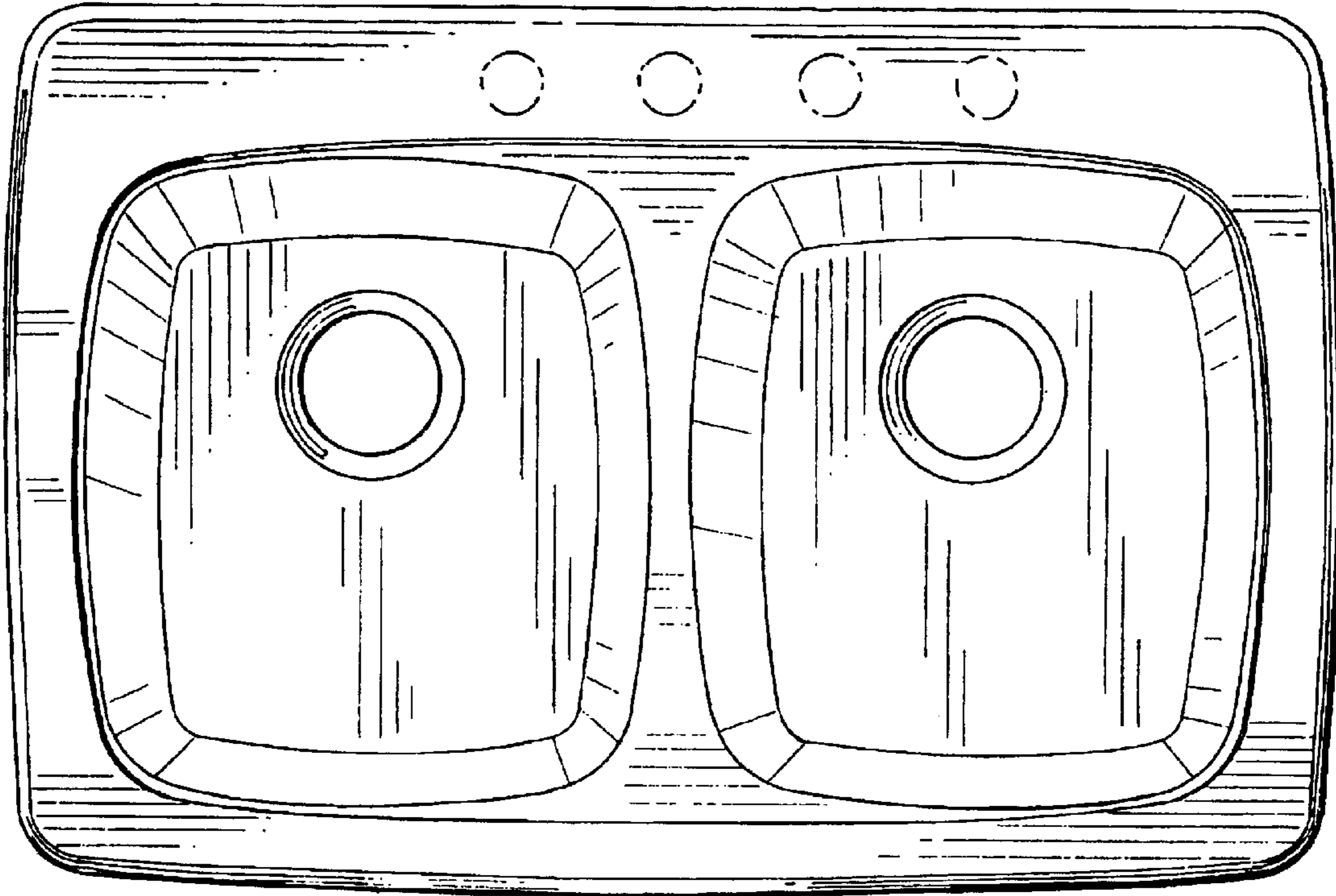


FIG. 3

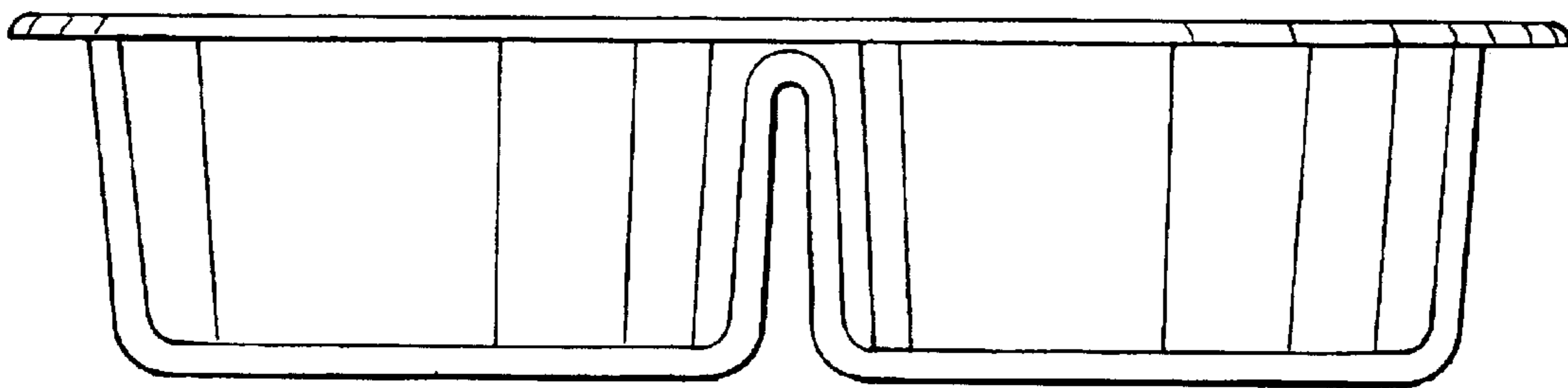


FIG. 4

