

US00D494257S1

(12) **United States Design Patent**  
**Moran et al.**

(10) **Patent No.:** **US D494,257 S**  
(45) **Date of Patent:** **\*\* Aug. 10, 2004**

(54) **SINK**

(75) Inventors: **Walter J. Moran**, Batavia, IL (US);  
**John Michael Douglass**, Algonquin, IL  
(US); **Glenda Kay Plemons**, Glen  
Ellyn, IL (US); **Thomas A. Samanic**,  
Mokena, IL (US); **Ellen Sieminski**,  
Chicago, IL (US); **Peter Wozniczka**,  
Des Plaines, IL (US)

(73) Assignee: **Elkay Manufacturing Company**, Oak  
Brook, IL (US)

(\*\*) Term: **14 Years**

(21) Appl. No.: **29/179,142**

(22) Filed: **Apr. 4, 2003**

(51) **LOC (7) Cl.** ..... **23-01**

(52) **U.S. Cl.** ..... **D23/284**

(58) **Field of Search** ..... D23/270-271,  
D23/273, 290-292, 293.1, 303, 308, 284-287;  
4/664-665, 619, 522, 623-624, 639-642,  
650-651, 660-661

(56) **References Cited**

**U.S. PATENT DOCUMENTS**

1,201,903 A 10/1916 Wiley  
D77,934 S \* 3/1929 Burbank ..... D23/290  
D102,060 S \* 11/1936 Love et al. .... D23/287  
D116,564 S \* 9/1939 Love et al. .... D23/290  
D187,579 S \* 4/1960 Salemi ..... D23/271

D188,418 S 7/1960 Salveson  
3,071,780 A 1/1963 Lyon  
D282,612 S 2/1986 Moore  
D298,164 S \* 10/1988 Downs ..... D23/290  
D313,841 S \* 1/1991 Bulthaup ..... D23/287  
D323,705 S \* 2/1992 Stairs, Jr. .... D23/290  
5,251,790 A 10/1993 Cohn et al.  
D353,652 S 12/1994 Dannenberg  
D356,859 S \* 3/1995 Formgren ..... D23/287  
5,621,929 A 4/1997 Smith  
D387,857 S 12/1997 McKeone  
D397,213 S 8/1998 Bonnell  
D417,981 S 12/1999 Zwicker  
D426,288 S 6/2000 Kolada  
6,213,575 B1 4/2001 Brin et al.  
D445,883 S 7/2001 Svendsen et al.

\* cited by examiner

*Primary Examiner*—Robert A. Delehanty

(74) *Attorney, Agent, or Firm*—Leydig, Voit & Mayer, Ltd.

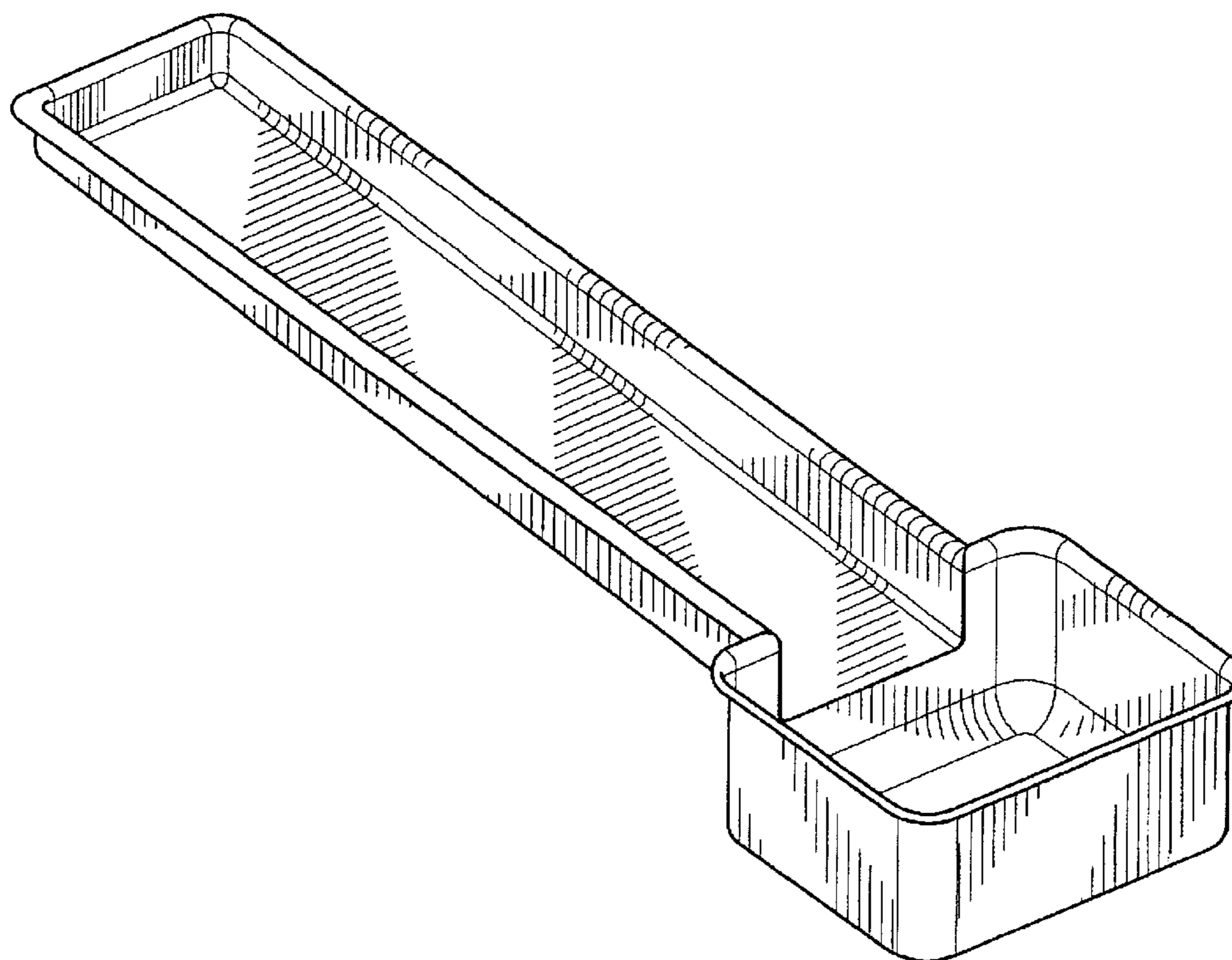
(57) **CLAIM**

The ornamental design for a sink, as shown and described.

**DESCRIPTION**

FIG. 1 is a perspective view taken from the top, front and right side of a sink showing our new design;  
FIG. 2 is a perspective view of the bottom thereof;  
FIG. 3 is a top plan view of the sink shown in FIG. 1;  
FIG. 4 is a bottom view of the sink shown in FIG. 1;  
FIG. 5 is a front side view of the sink shown in FIG. 1; and,  
FIG. 6 is a rear side view of the sink shown in FIG. 1.

**1 Claim, 4 Drawing Sheets**



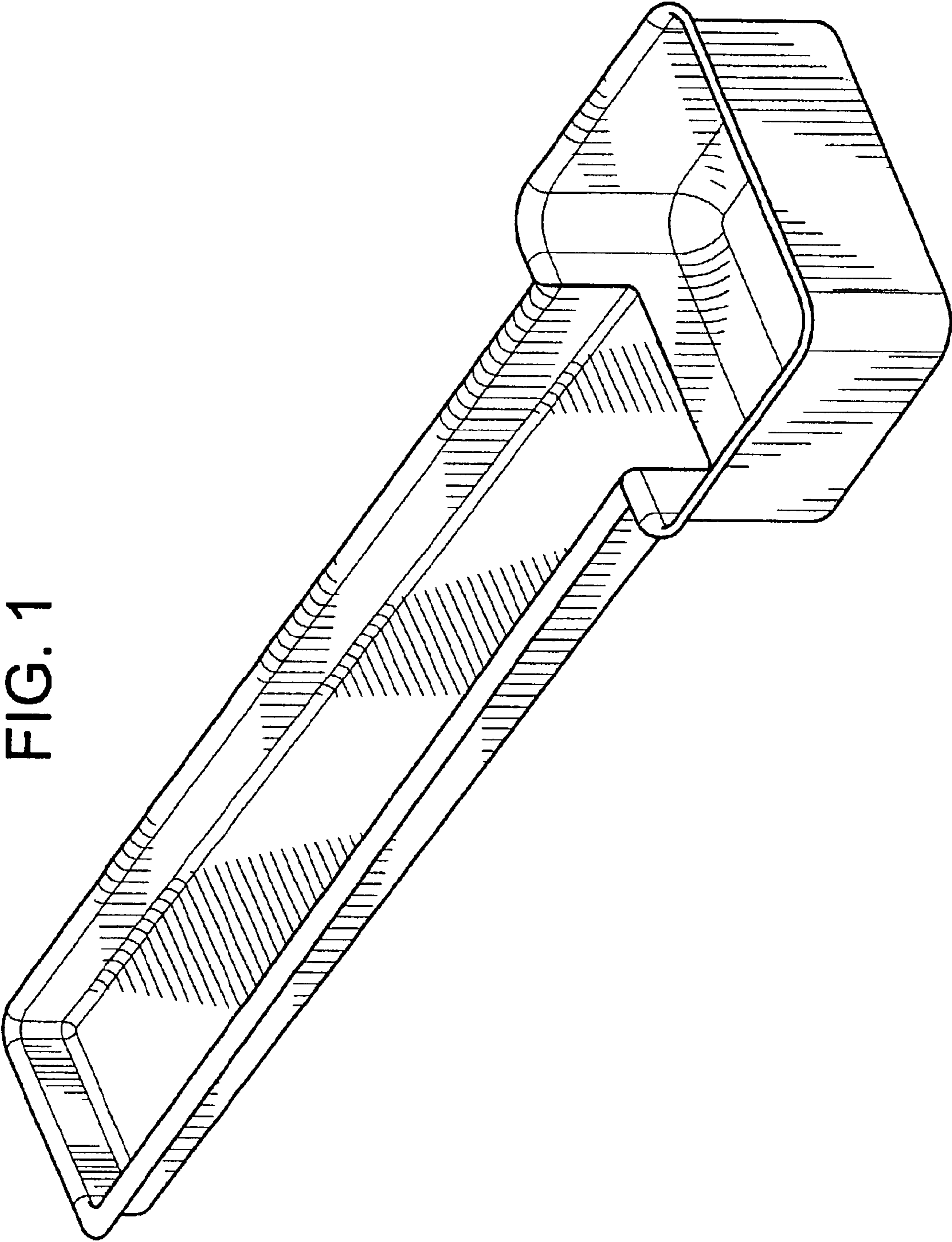
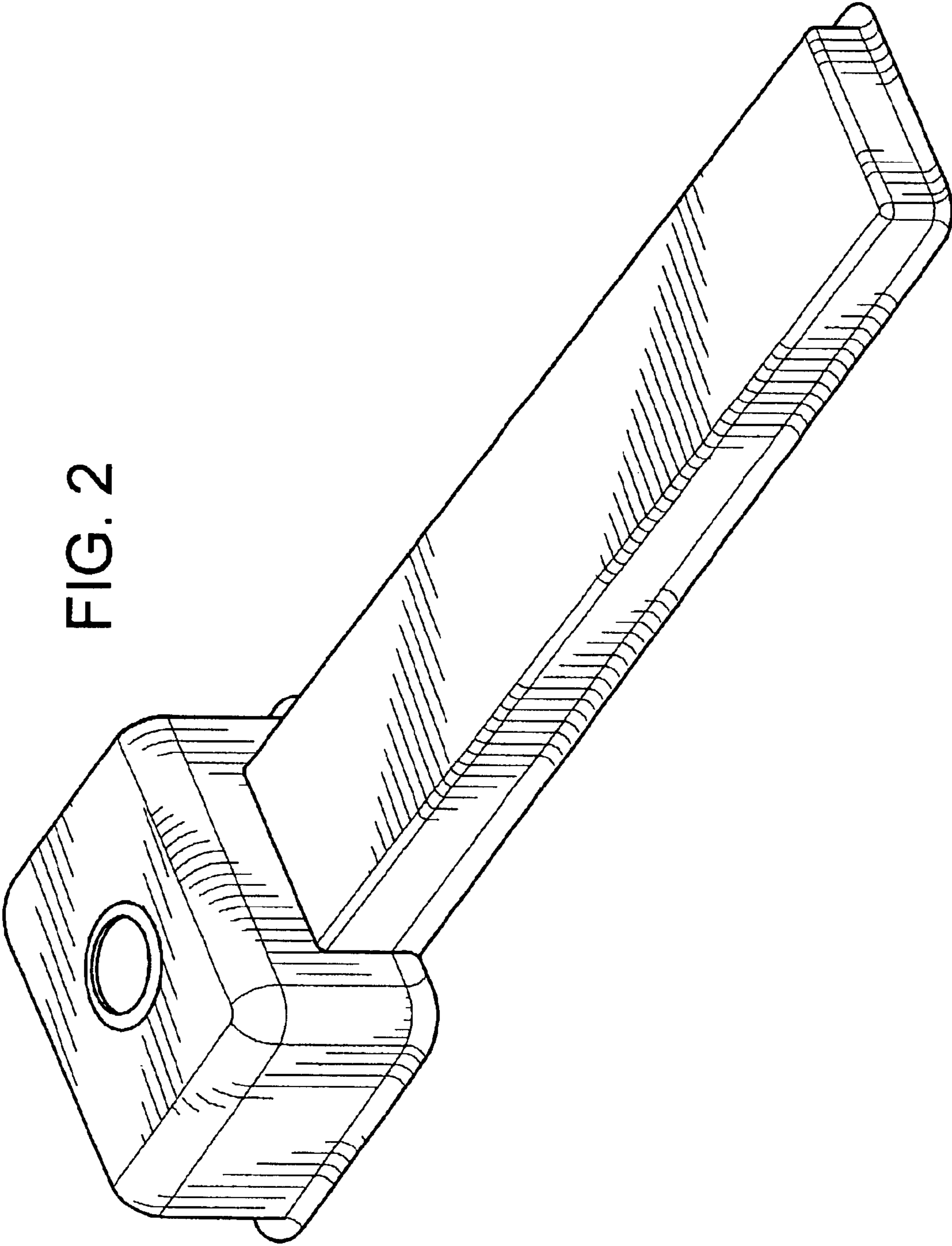


FIG. 1

FIG. 2



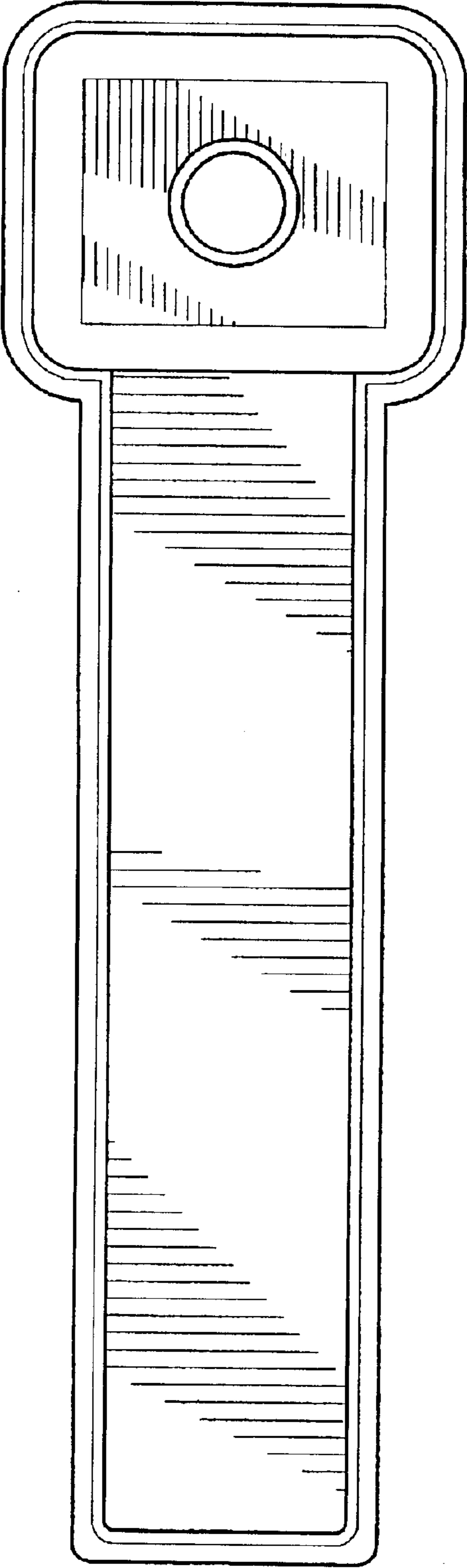


FIG. 3

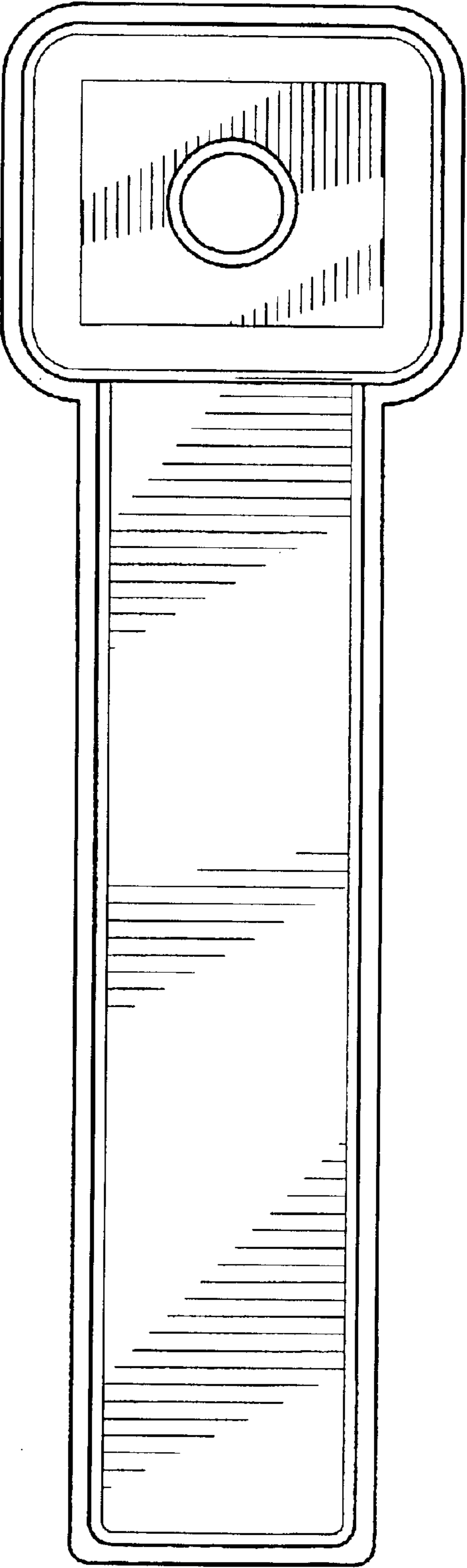


FIG. 4

FIG. 5

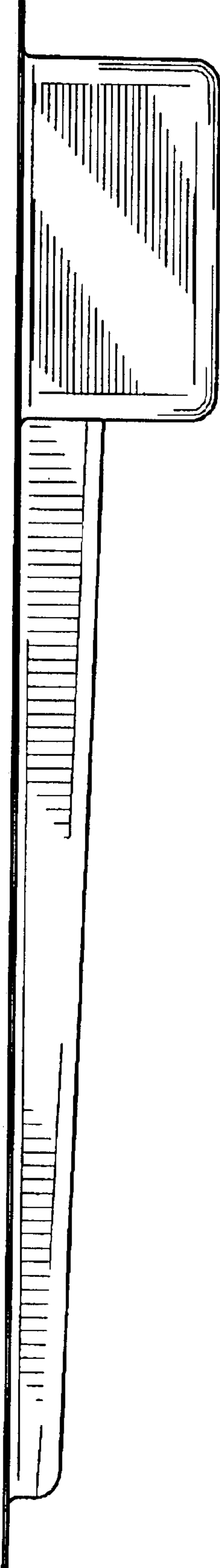


FIG. 6

