

US00D494254S1

(12) **United States Design Patent**  
**Citterio**

(10) **Patent No.:** **US D494,254 S**

(45) **Date of Patent:** **\*\* Aug. 10, 2004**

(54) **SANITARY FITTING**

(75) **Inventor:** **Antonio Citterio, Milan (IT)**

(73) **Assignee:** **Hansgrohe AG, Schiltach (DE)**

(\*\*) **Term:** **14 Years**

(21) **Appl. No.:** **29/178,408**

(22) **Filed:** **Mar. 25, 2003**

(30) **Foreign Application Priority Data**

Sep. 25, 2002 (DE) ..... 402 08 048

(51) **LOC (7) Cl.** ..... **23-01**

(52) **U.S. Cl.** ..... **D23/245; D23/254**

(58) **Field of Search** ..... **D23/233-254;**  
**137/801; 4/675-678; D8/353**

(56) **References Cited**

**U.S. PATENT DOCUMENTS**

D284,687 S \* 7/1986 Doman et al. .... D23/249  
D300,238 S \* 3/1989 Kohler et al. .... D23/249  
D319,294 S \* 8/1991 Kohler et al. .... D23/254

D421,099 S \* 2/2000 Mullenmeister ..... D23/254  
D425,604 S \* 5/2000 Fleischmann ..... D23/254  
D441,059 S \* 4/2001 Fleischmann ..... D23/254  
D458,668 S \* 6/2002 Mullenmeister ..... D23/254  
D459,445 S \* 6/2002 Mullenmeister ..... D23/254

\* cited by examiner

*Primary Examiner*—Nelson C. Holtje

(74) *Attorney, Agent, or Firm*—Duane Morris LLP

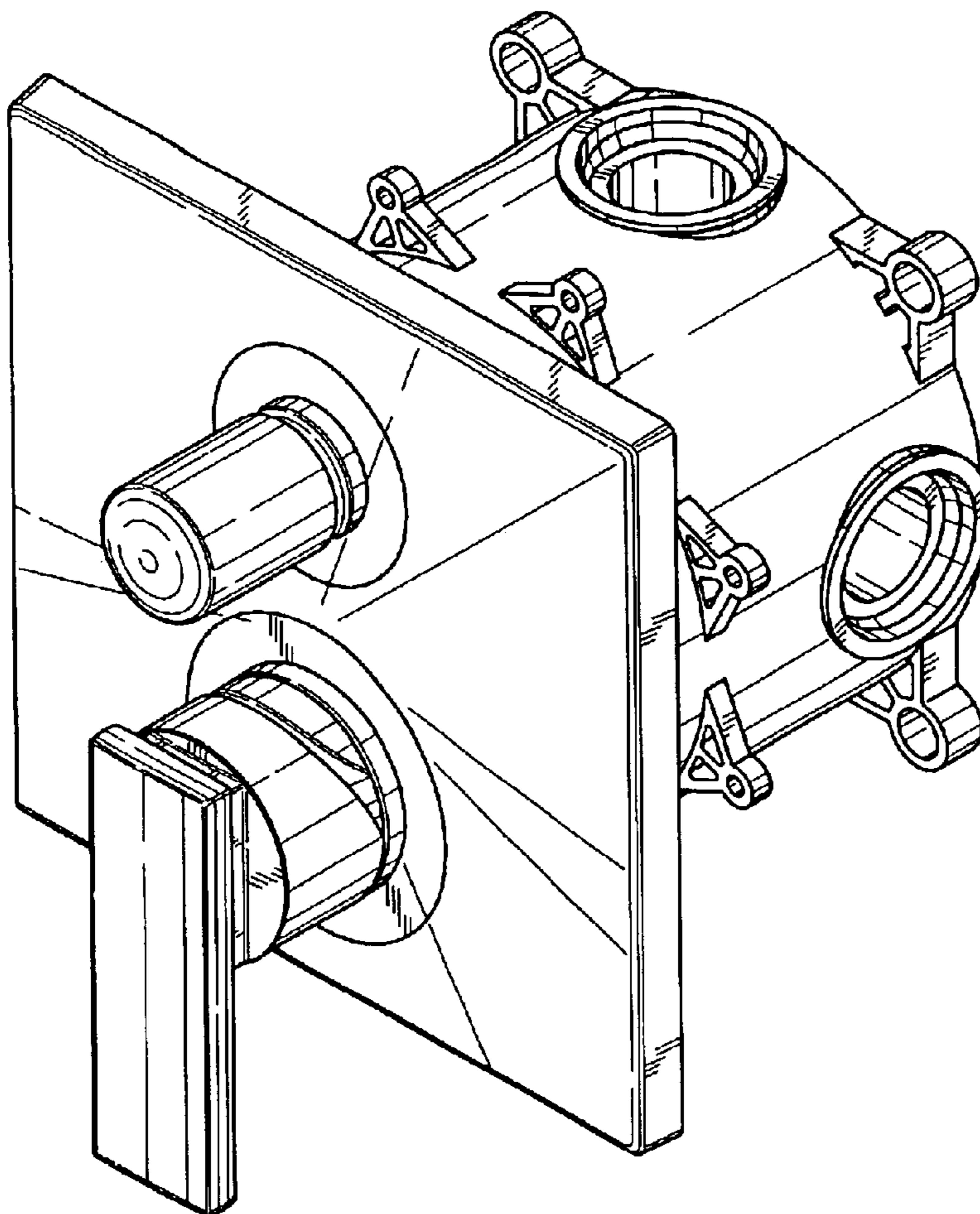
(57) **CLAIM**

The ornamental design for a sanitary fitting, as shown and described.

**DESCRIPTION**

FIG. 1: is a side perspective view of the sanitary fitting showing my new design;  
FIG. 2: is a rear elevation view thereof;  
FIG. 3: is a side elevation view thereof (the opposite side being a mirror image);  
FIG. 4: is a front elevation view thereof;  
FIG. 5: is a top plan view thereof; and,  
FIG. 6: is a bottom plan view thereof.

**1 Claim, 3 Drawing Sheets**



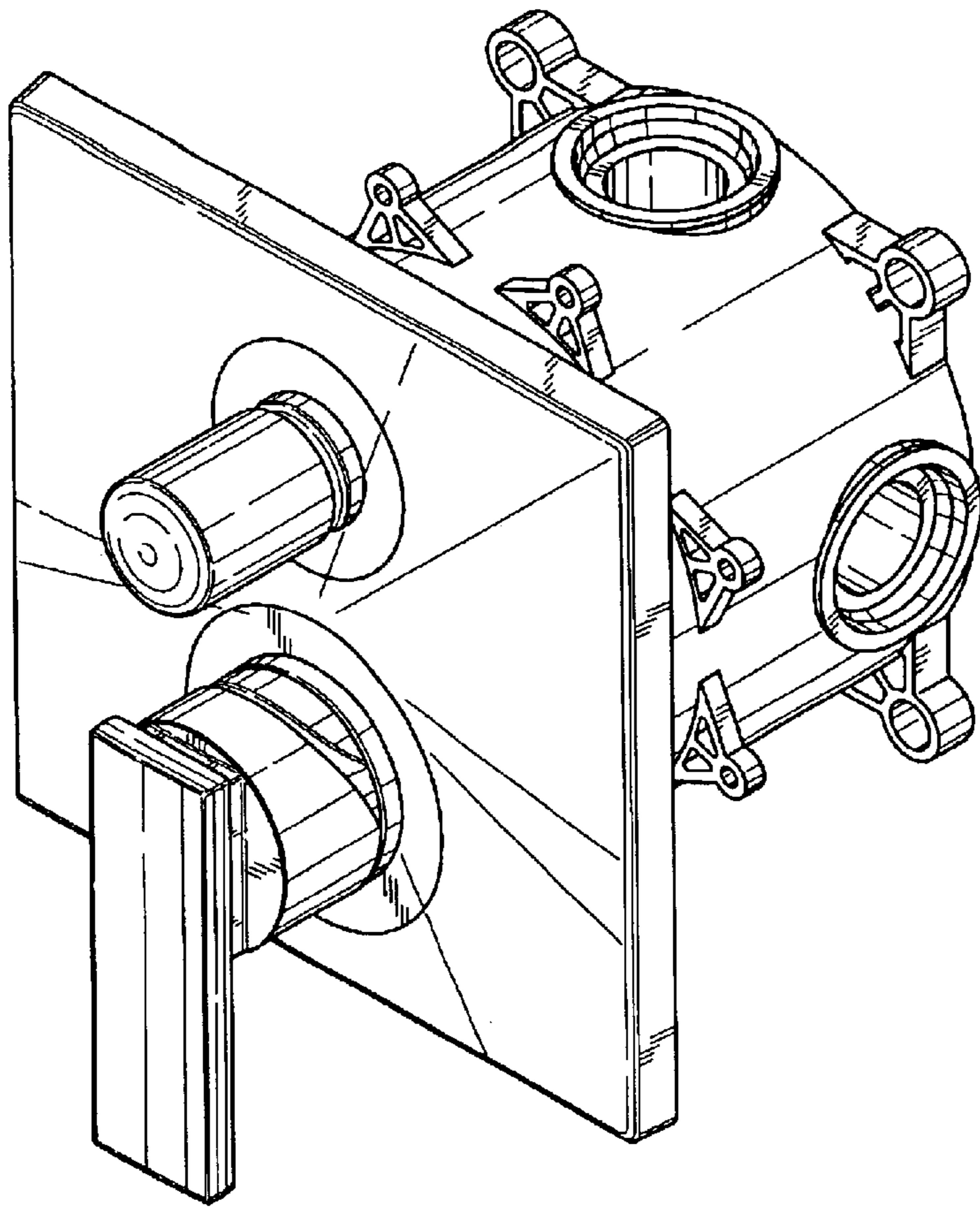


FIG. 1

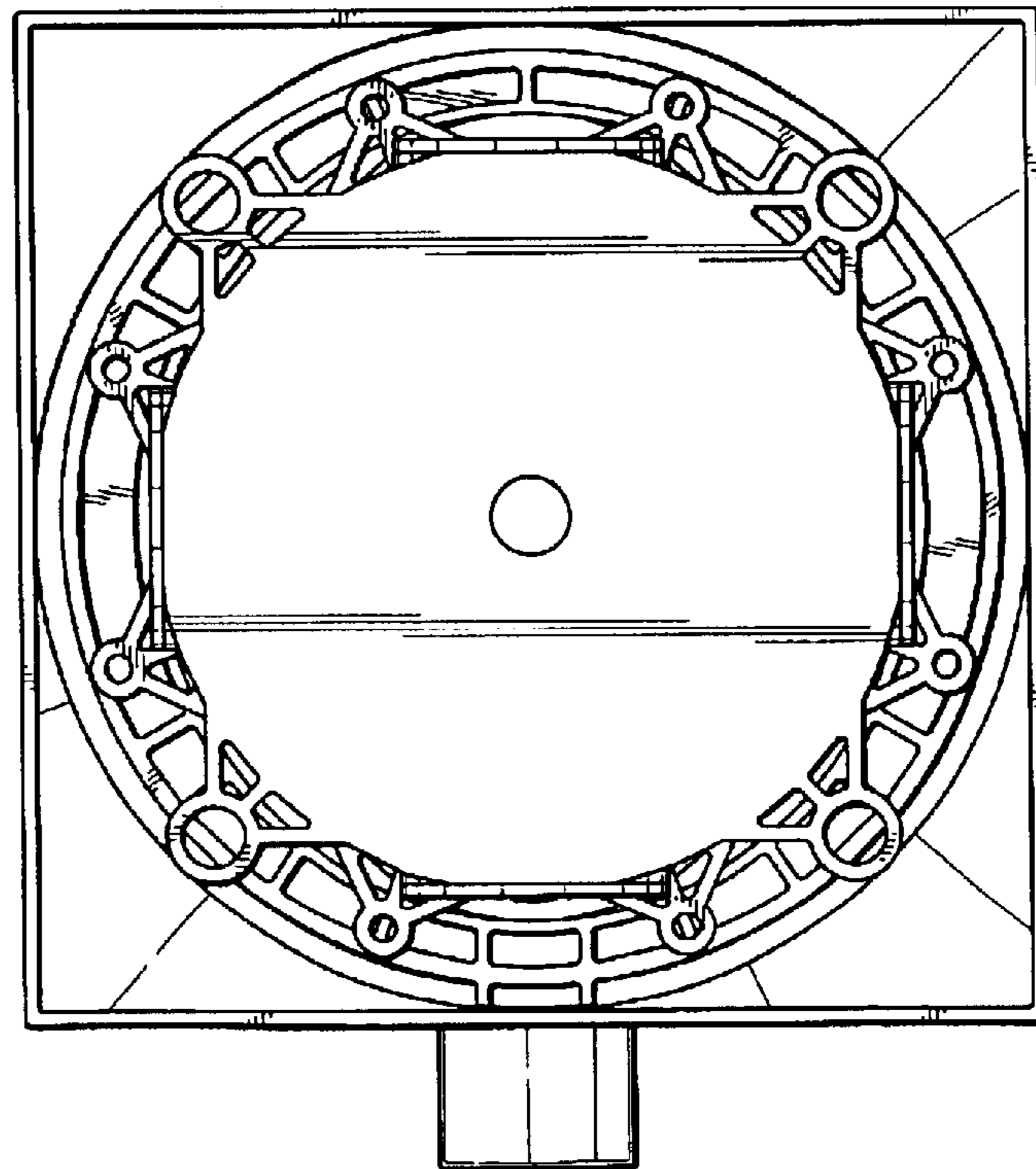


FIG. 2

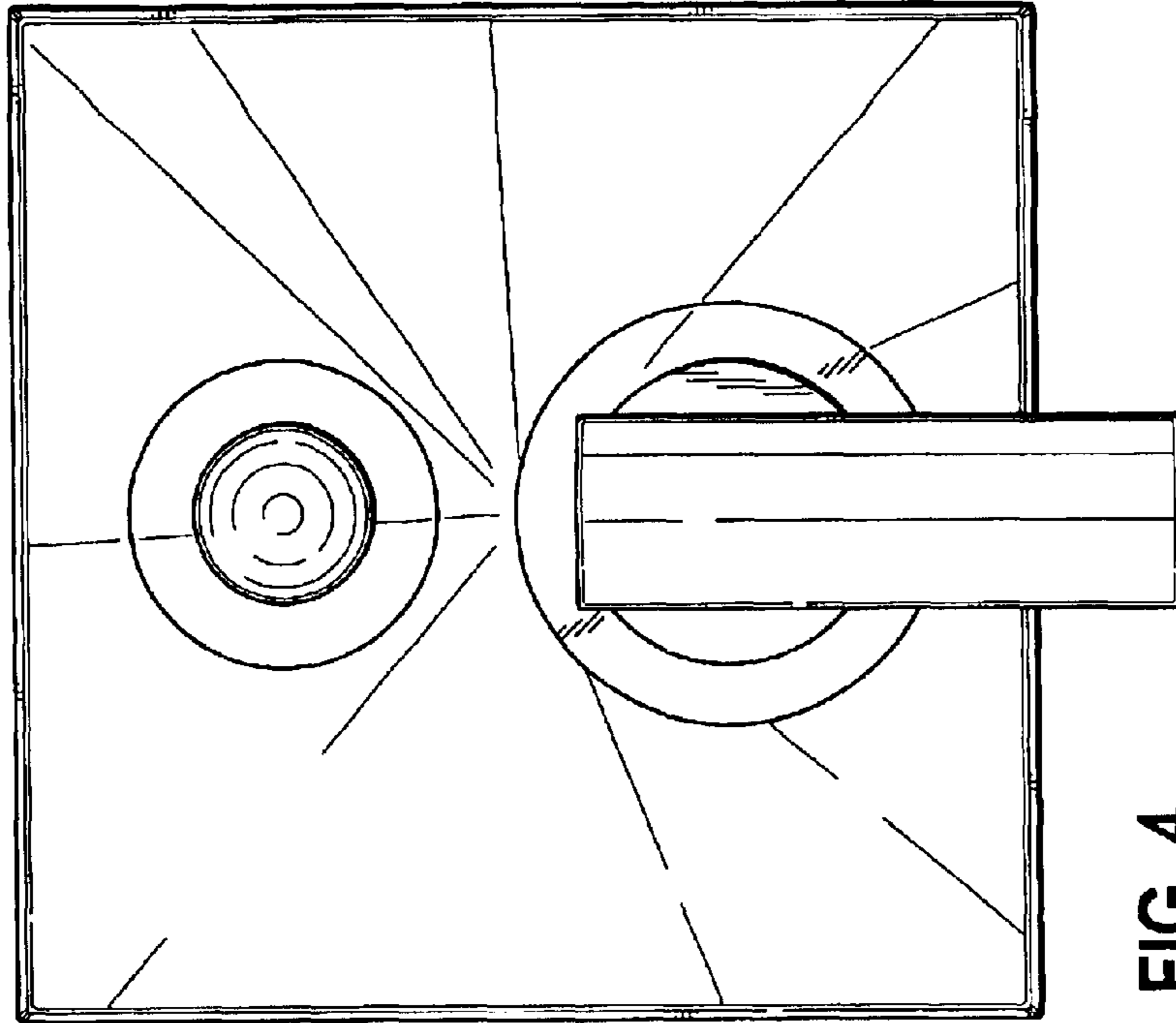


FIG. 4

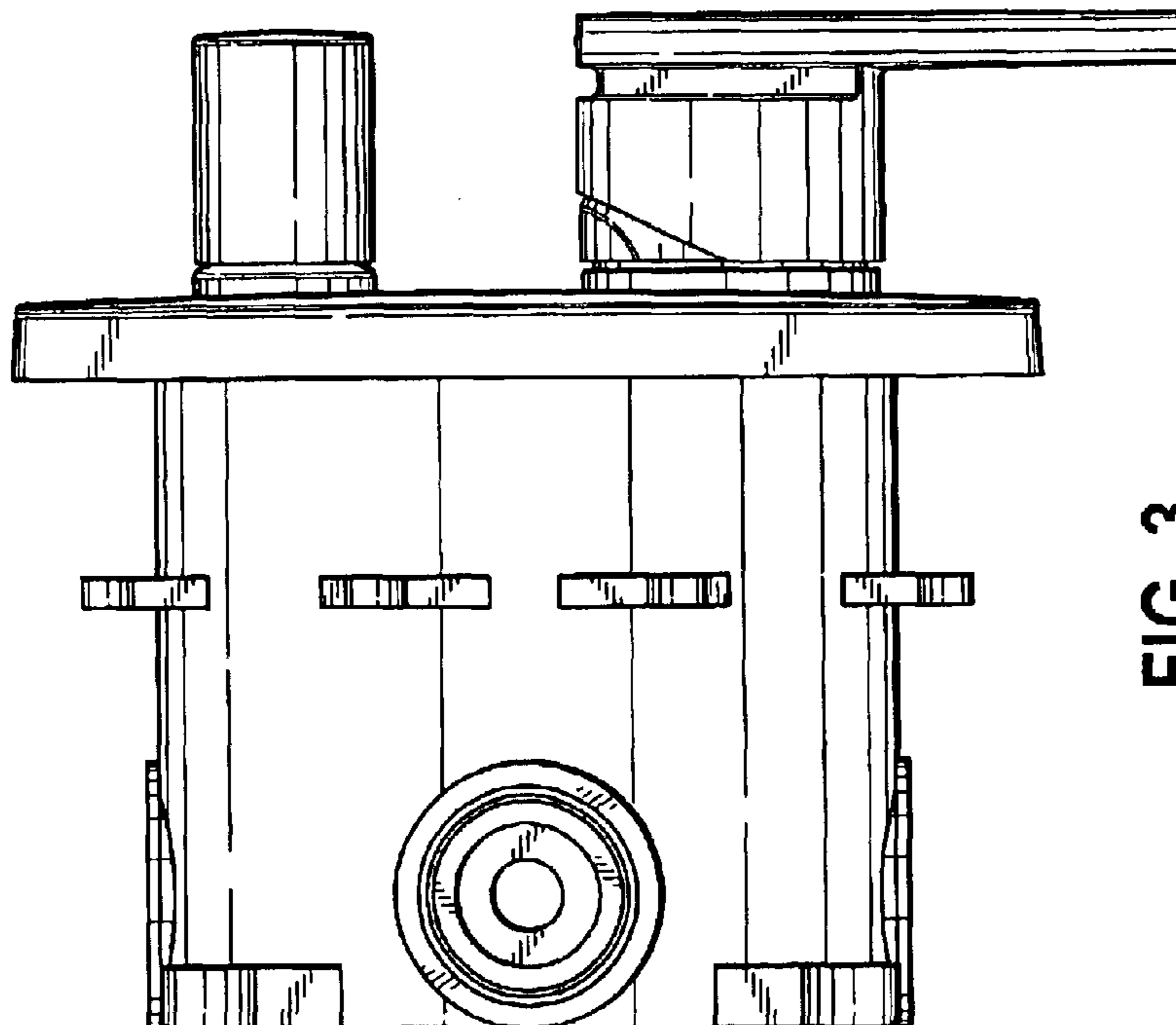


FIG. 3

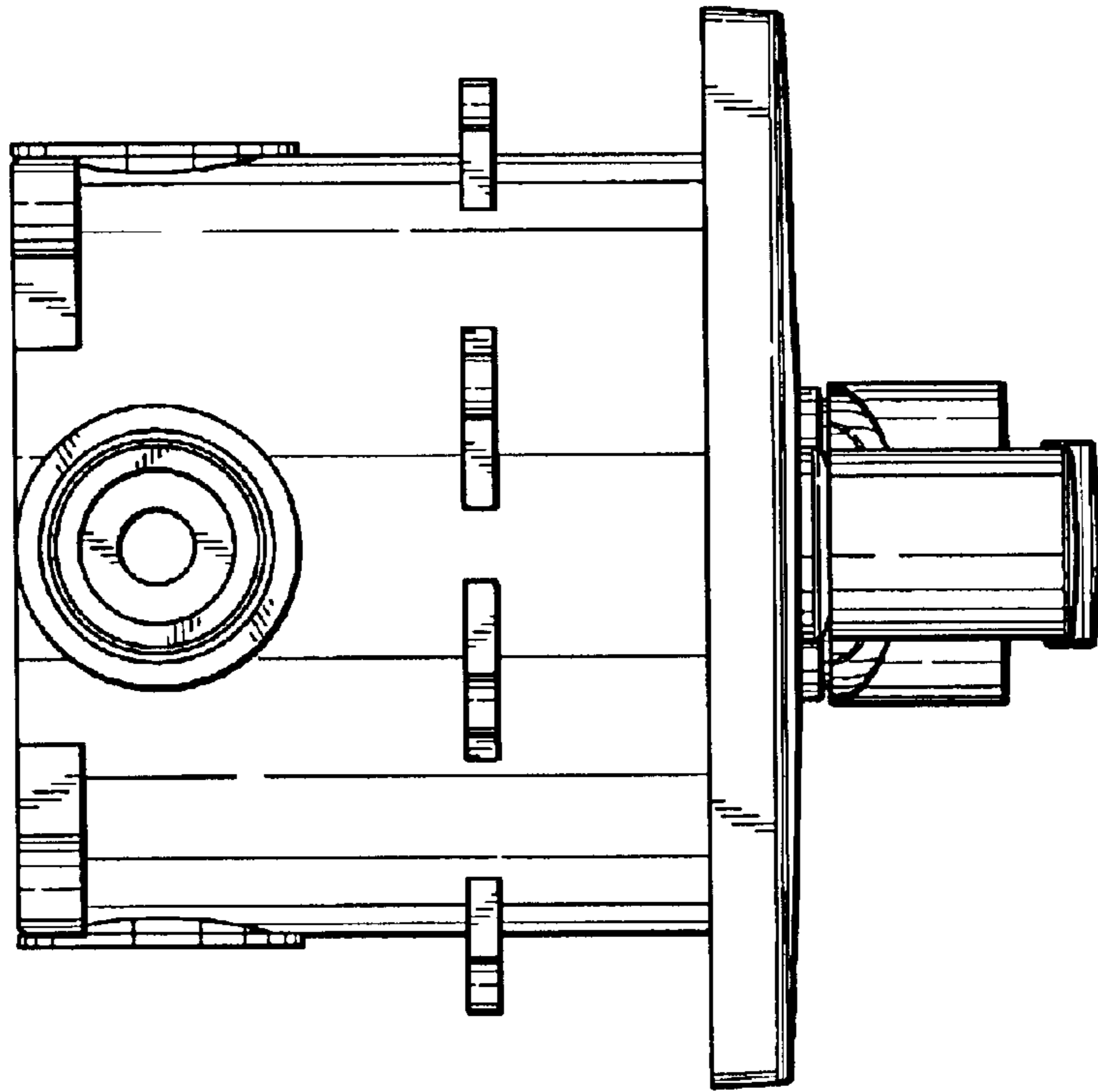


FIG. 5

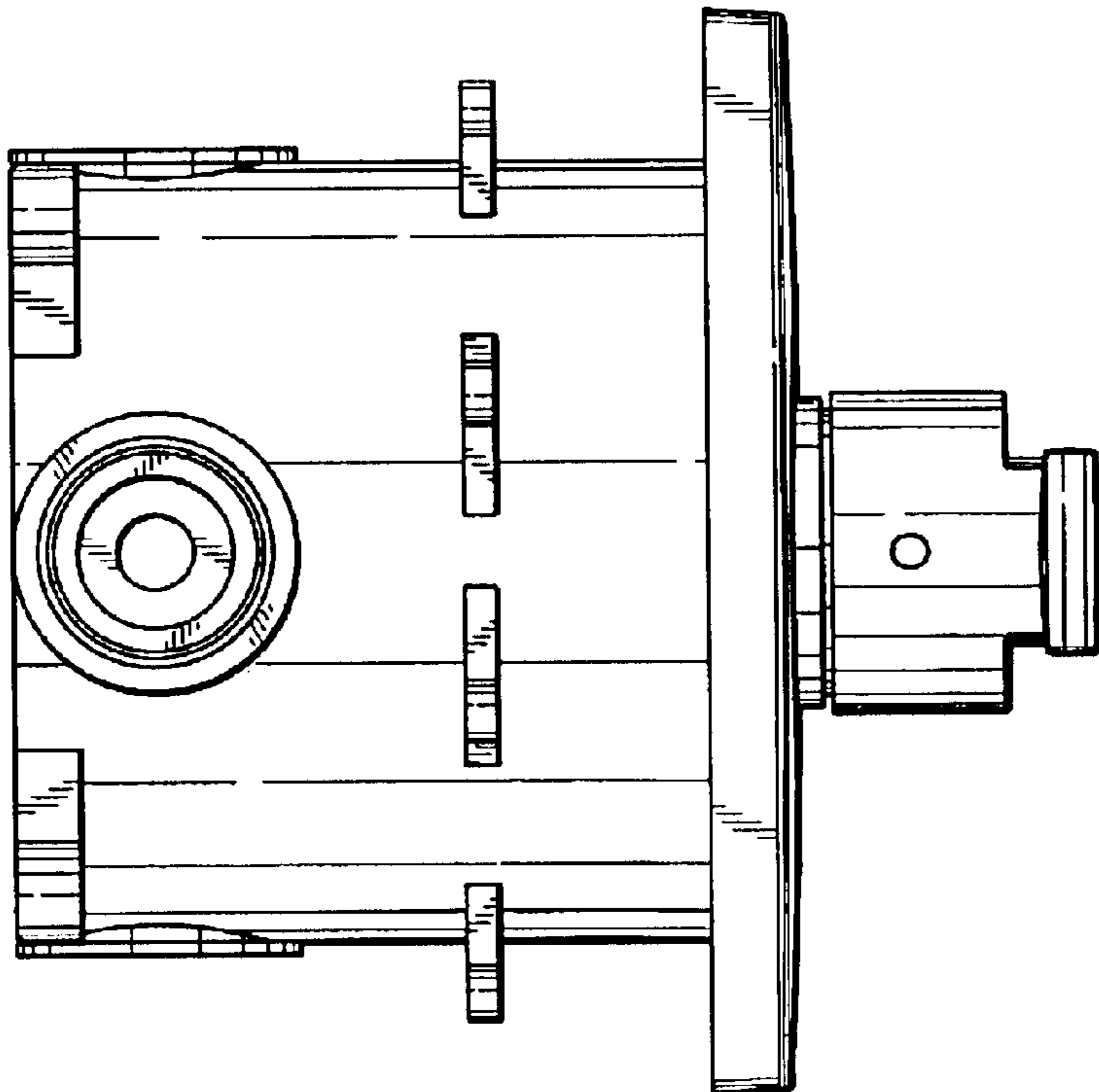


FIG. 6