

US00D494253S1

(12) **United States Design Patent**
Citterio

(10) **Patent No.: US D494,253 S**

(45) **Date of Patent: ** Aug. 10, 2004**

(54) **SANITARY FITTING**

D466,195 S * 11/2002 Marshall D23/250
D466,988 S * 12/2002 Marshall D23/250

(75) **Inventor: Antonio Citterio, Milan (IT)**

(73) **Assignee: Hansgrohe AG, Schiltach (DE)**

(**) **Term: 14 Years**

(21) **Appl. No.: 29/178,389**

(22) **Filed: Mar. 25, 2003**

(30) **Foreign Application Priority Data**

Sep. 25, 2002 (DE) 402 08 048

(51) **LOC (7) Cl. 23-01**

(52) **U.S. Cl. D23/245; D23/254**

(58) **Field of Search D23/233-254;
137/801; 4/675-678; D8/353**

(56) **References Cited**

U.S. PATENT DOCUMENTS

- D86,672 S * 4/1932 Ferguson D23/250
- D284,687 S * 7/1986 Doman et al. D23/249
- D300,238 S * 3/1989 Kohler et al. D23/249
- D319,294 S * 8/1991 Kohler et al. D23/254
- D421,099 S * 2/2000 Mullenmeister D23/254
- D425,604 S * 5/2000 Fleischmann D23/254
- D441,059 S * 4/2001 Fleischmann D23/254
- D458,668 S * 6/2002 Mullenmeister D23/254
- D459,445 S * 6/2002 Mullenmeister D23/254

OTHER PUBLICATIONS

- “Rubinetterie BANDINI” catalog, 1 page, Mar., 2002.
- “Rubinetterie BANDINI” catalog, 2 pages, Mar., 2002.
- “HANSA für das Bad” catalog, pp. 40 and 41, 1999.
- “GROHEART” catalog, pp. 64 and 65, Mar., 2001.
- KLUDI brochure, pp. 46 and 47, Aug., 2000.
- FRONTE water house, brochure, one page, Mar., 2002.

* cited by examiner

Primary Examiner—Nelson C. Holtje

(74) *Attorney, Agent, or Firm*—Duane Morris, LLP

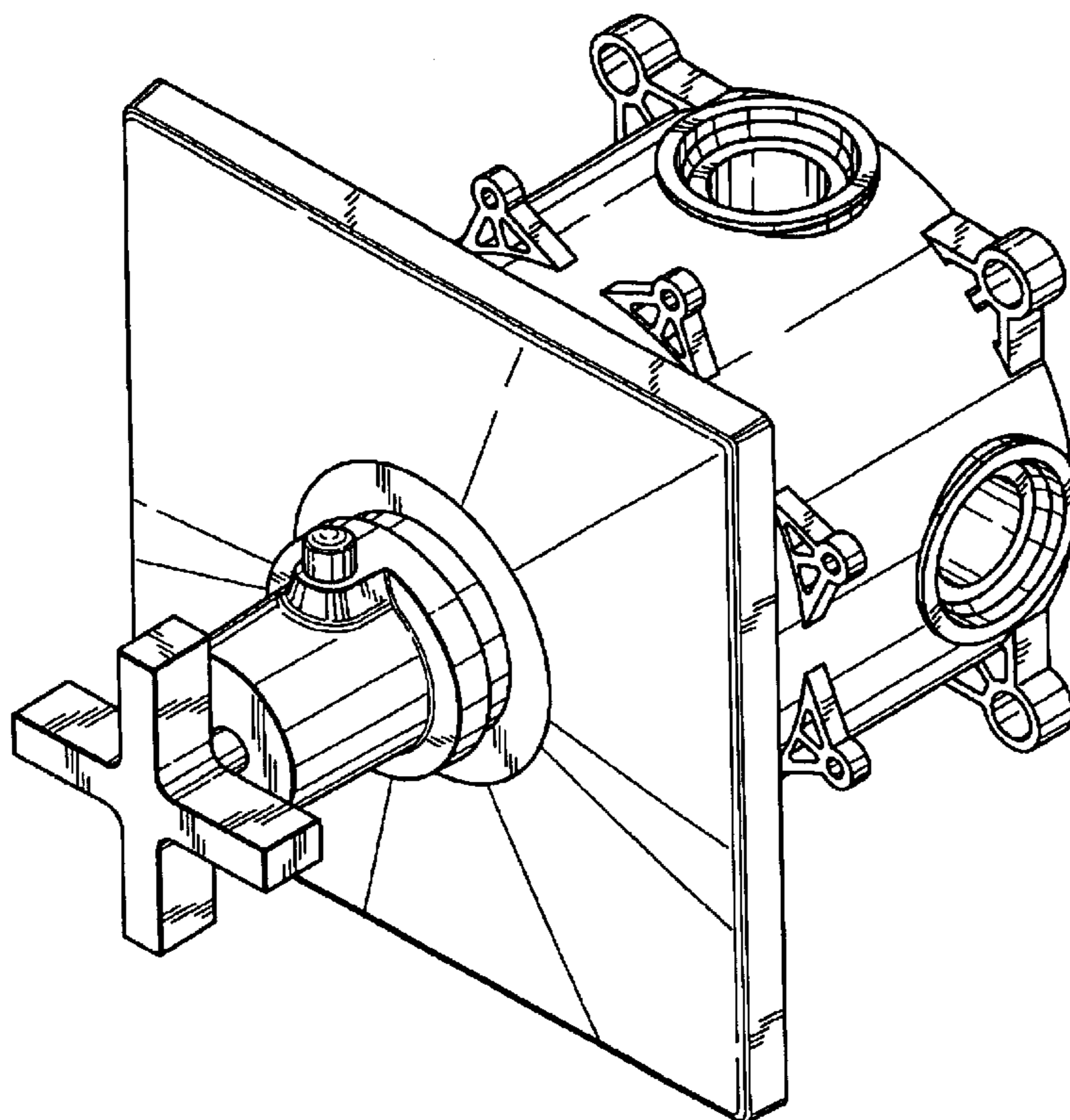
(57) **CLAIM**

The ornamental design for a sanitary fitting, as shown and described.

DESCRIPTION

- FIG. 1: is a side perspective view of the sanitary fitting showing my new design;
- FIG. 2: is a rear elevation view thereof;
- FIG. 3: is a side elevation view thereof (the opposite side being a mirror image);
- FIG. 4: is a front elevation view thereof;
- FIG. 5: is a top plan view thereof; and,
- FIG. 6: is a bottom plan view thereof.

1 Claim, 3 Drawing Sheets



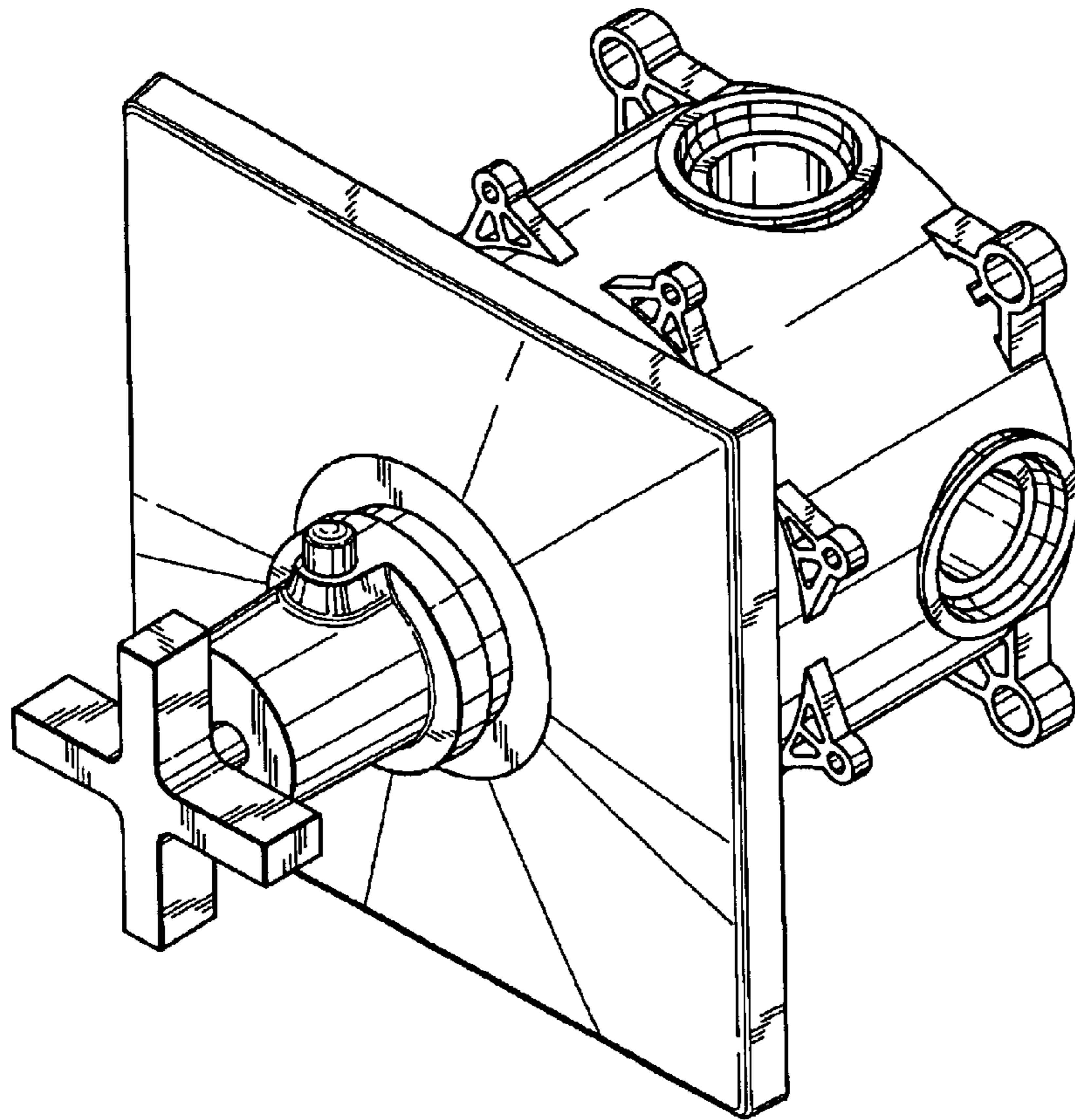


FIG. 1

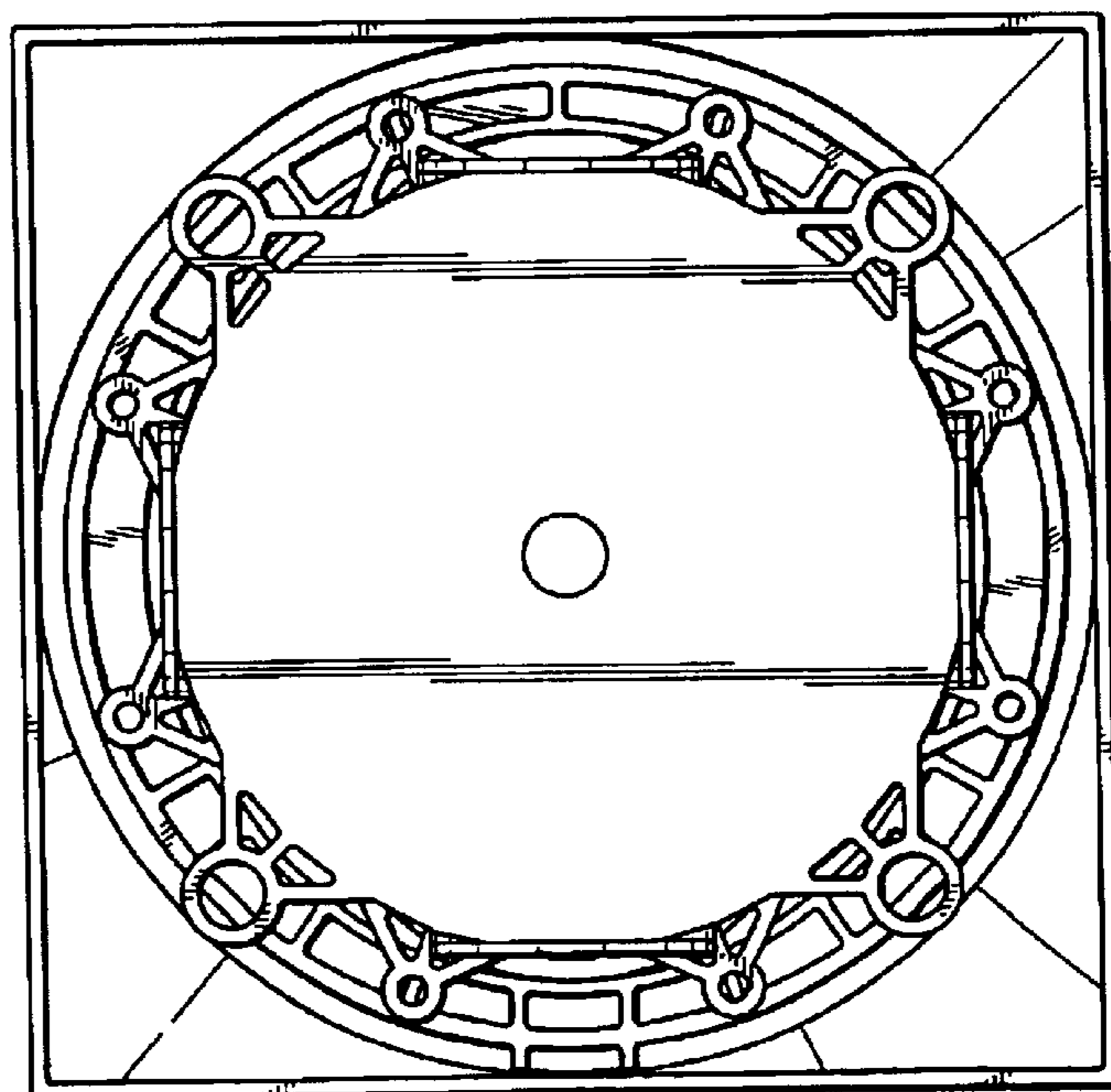


FIG. 2

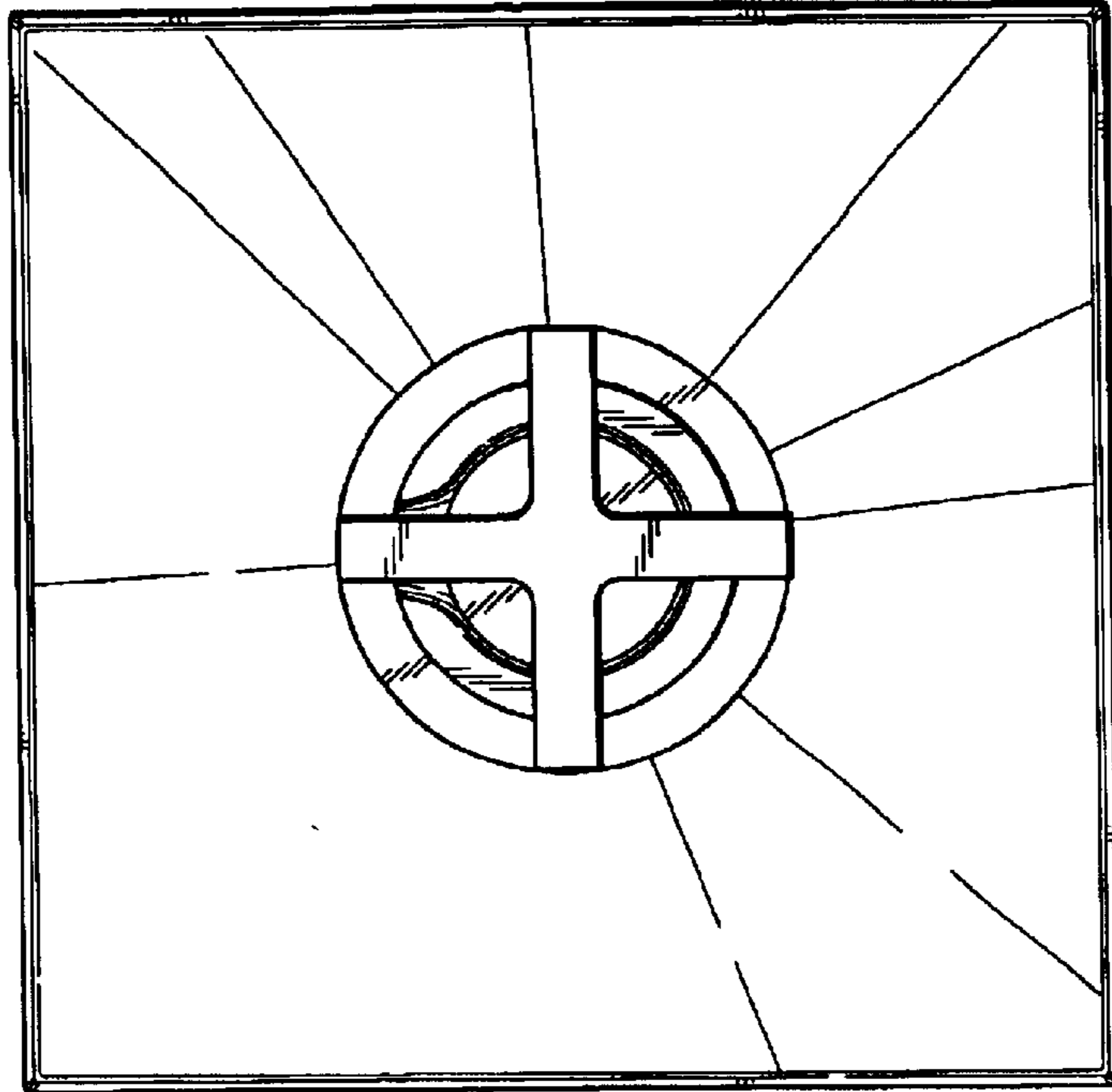


FIG. 4

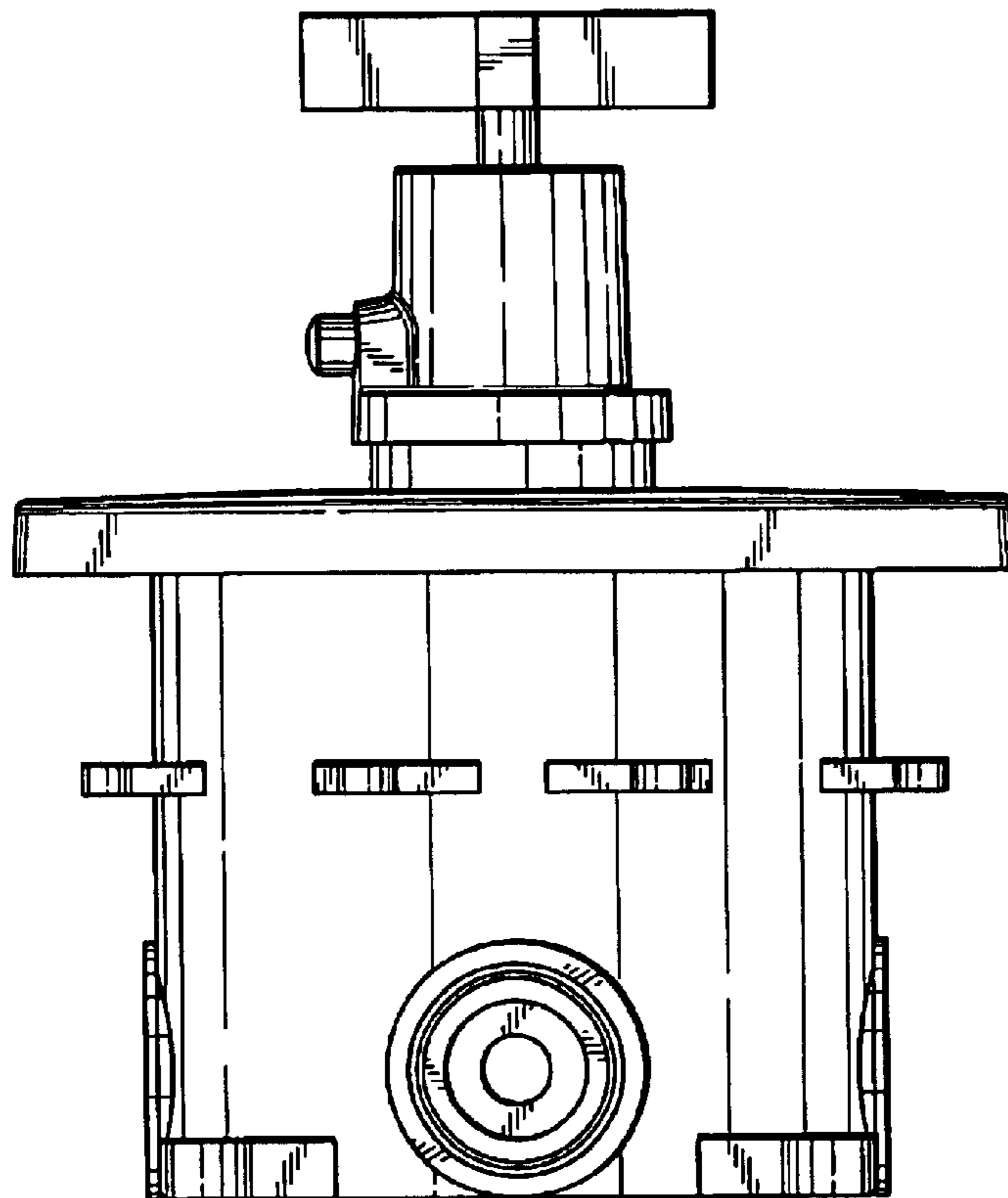


FIG. 3

