



US00D494252S1

(12) **United States Design Patent** (10) **Patent No.:** **US D494,252 S**  
**Kline** (45) **Date of Patent:** **\*\* Aug. 10, 2004**

- (54) **MIXING VALVE**
- (75) Inventor: **Kevin B. Kline**, Whitefish Bay, WI (US)
- (73) Assignee: **Lawler Manufacturing Company, Inc.**, Indianapolis, IN (US)
- (\*\*) Term: **14 Years**
- (21) Appl. No.: **29/190,596**
- (22) Filed: **Sep. 24, 2003**

- 2,250,815 A 7/1941 Ruegg et al.
- 2,282,152 A 5/1942 Babbin
- 2,317,717 A 4/1943 Bauman
- 2,387,792 A 10/1945 Holmes
- 2,503,901 A 4/1950 Chace
- 2,535,893 A 12/1950 Branson
- 2,569,838 A 10/1951 Vinson
- 2,636,776 A 4/1953 Vernet
- 2,713,972 A 7/1955 Geise
- 2,791,379 A 5/1957 Dew
- 2,792,847 A 5/1957 Spencer
- 2,803,408 A 8/1957 Hope
- 2,828,075 A 3/1958 Panza et al.
- 2,855,151 A 10/1958 Lesovsky
- 3,001,717 A 9/1961 Rimsha et al.
- 3,004,710 A 10/1961 Couffer, Jr. et al.
- 3,036,777 A 5/1962 Budde
- 3,044,707 A 7/1962 Bayer
- 3,061,195 A 10/1962 Bowman
- 3,361,412 A 1/1968 Cole, III
- 3,561,482 A 2/1971 Taplin
- 3,593,964 A 7/1971 Morane
- 3,739,945 A 6/1973 Moore et al.

**Related U.S. Application Data**

- (63) Continuation of application No. 10/378,185, filed on Mar. 3, 2003, which is a continuation of application No. 09/941,141, filed on Aug. 28, 2001, now Pat. No. 6,543,478, which is a division of application No. 09/633,728, filed on Aug. 7, 2000, now Pat. No. 6,315,210, which is a continuation of application No. 09/165,880, filed on Oct. 2, 1998, now abandoned.
- (51) **LOC (7) Cl.** ..... **23-01**
- (52) **U.S. Cl.** ..... **D23/233**
- (58) **Field of Search** ..... **D23/233-249,**  
D23/260; 138/606-607, 597, 538, 540,  
535, 543.19, 5; 236/12.14, 12.22

(List continued on next page.)

**FOREIGN PATENT DOCUMENTS**

- DE 36 14 735 11/1987
- DE 42 37 435 5/1994
- FR 2 550 306 2/1985

(56) **References Cited**

**U.S. PATENT DOCUMENTS**

- 289,954 A 12/1883 Badger
- 1,195,722 A 8/1916 Powers et al.
- 1,243,999 A 10/1917 Snediker
- 1,417,291 A 5/1922 Allen
- 1,535,051 A 4/1925 Smith et al.
- 1,879,344 A 9/1932 Lawler
- 1,915,867 A 6/1933 Penick
- 1,931,896 A 10/1933 Henning
- 1,990,653 A 2/1935 Kollsman
- RE19,488 E 3/1935 Russell et al.
- 2,125,245 A 7/1938 McCray
- 2,172,489 A \* 9/1939 Young ..... 236/12.22
- 2,203,130 A 6/1940 Costello
- 2,211,672 A 8/1940 Reeder

*Primary Examiner*—Nelson C. Holtje  
(74) *Attorney, Agent, or Firm*—Ice Miller; Dustin S. DuBois; Alexander B. Forman

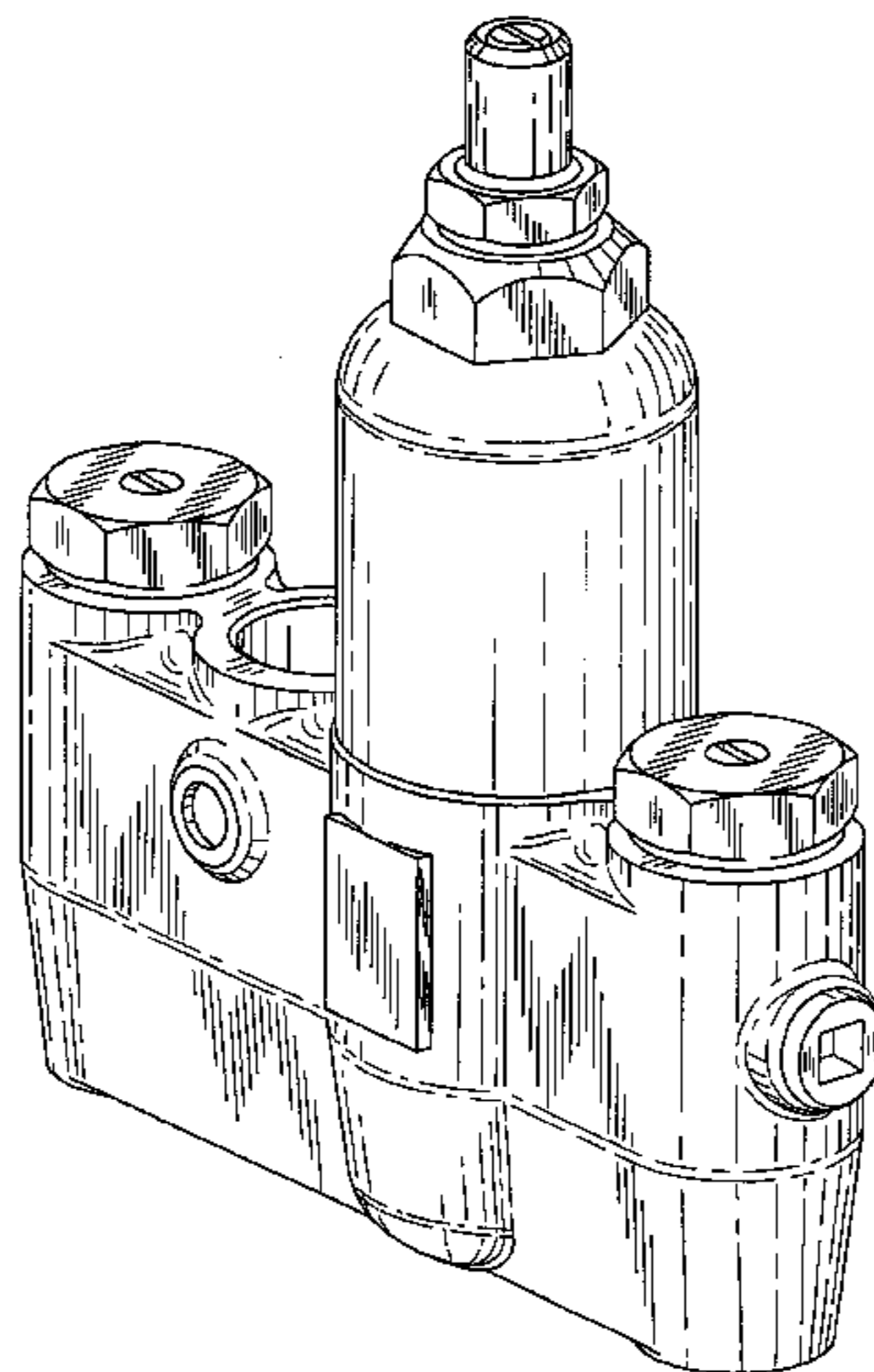
(57) **CLAIM**

The ornamental design for a mixing valve, as shown and described.

**DESCRIPTION**

FIG. 1 is a perspective view of a mixing valve showing our new design; and,  
FIG. 2 is a front view thereof.

**1 Claim, 2 Drawing Sheets**



# US D494,252 S

Page 2

---

## U.S. PATENT DOCUMENTS

3,768,728 A	10/1973	Blank	4,480,784 A	11/1984	Bennett
3,782,412 A	1/1974	Daresh	4,514,095 A	4/1985	Ehrfeld et al.
3,827,016 A	7/1974	Knapp	4,819,867 A	4/1989	Delpla et al.
3,925,283 A	12/1975	Dahl	4,883,225 A	11/1989	Kitchens
3,929,281 A	12/1975	Woodward	4,913,182 A	4/1990	Whiteside
3,929,283 A	12/1975	Delpla	4,923,115 A	5/1990	Sekoguchi et al.
3,938,741 A	2/1976	Allison	5,011,074 A	4/1991	Kline
3,955,759 A	5/1976	Knapp	5,050,062 A	9/1991	Hass
4,082,219 A	4/1978	Rogers, Jr. et al.	5,161,737 A	11/1992	Olmsted et al.
4,165,034 A	8/1979	Rogers, Jr. et al.	5,203,496 A	4/1993	Kline
4,195,656 A	4/1980	Kanerva et al.	5,323,960 A	6/1994	Kline
4,284,102 A	8/1981	Adler	5,341,987 A	8/1994	Ackroyd
4,285,465 A	8/1981	North	5,379,936 A	1/1995	Kline
4,299,354 A	11/1981	Ketley	5,647,530 A	7/1997	Lorch
4,304,358 A	12/1981	Riis	5,647,531 A *	7/1997	Kline et al. .... 236/12.14
4,475,684 A	10/1984	Garlick et al.			

\* cited by examiner

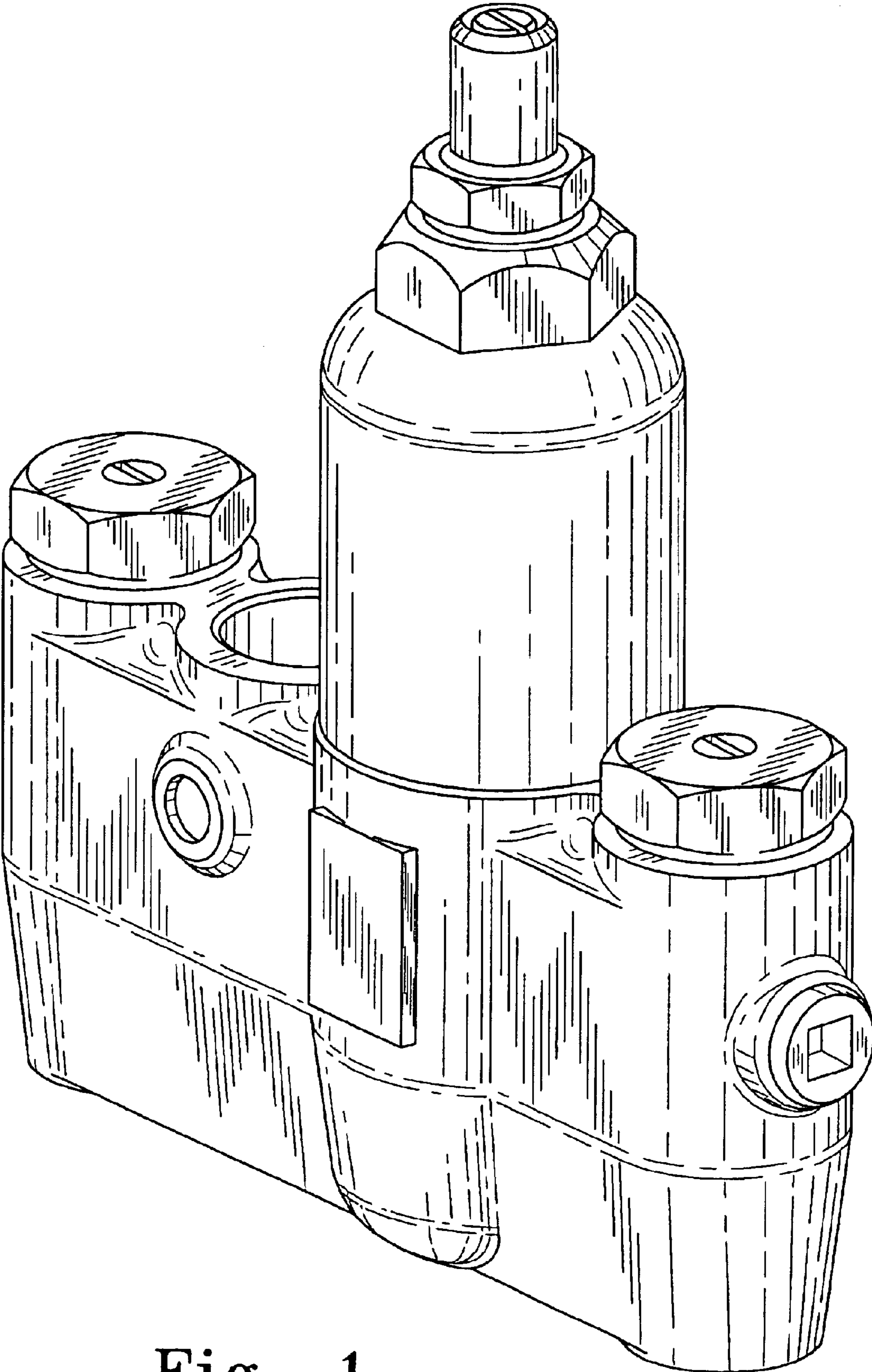


Fig. 1

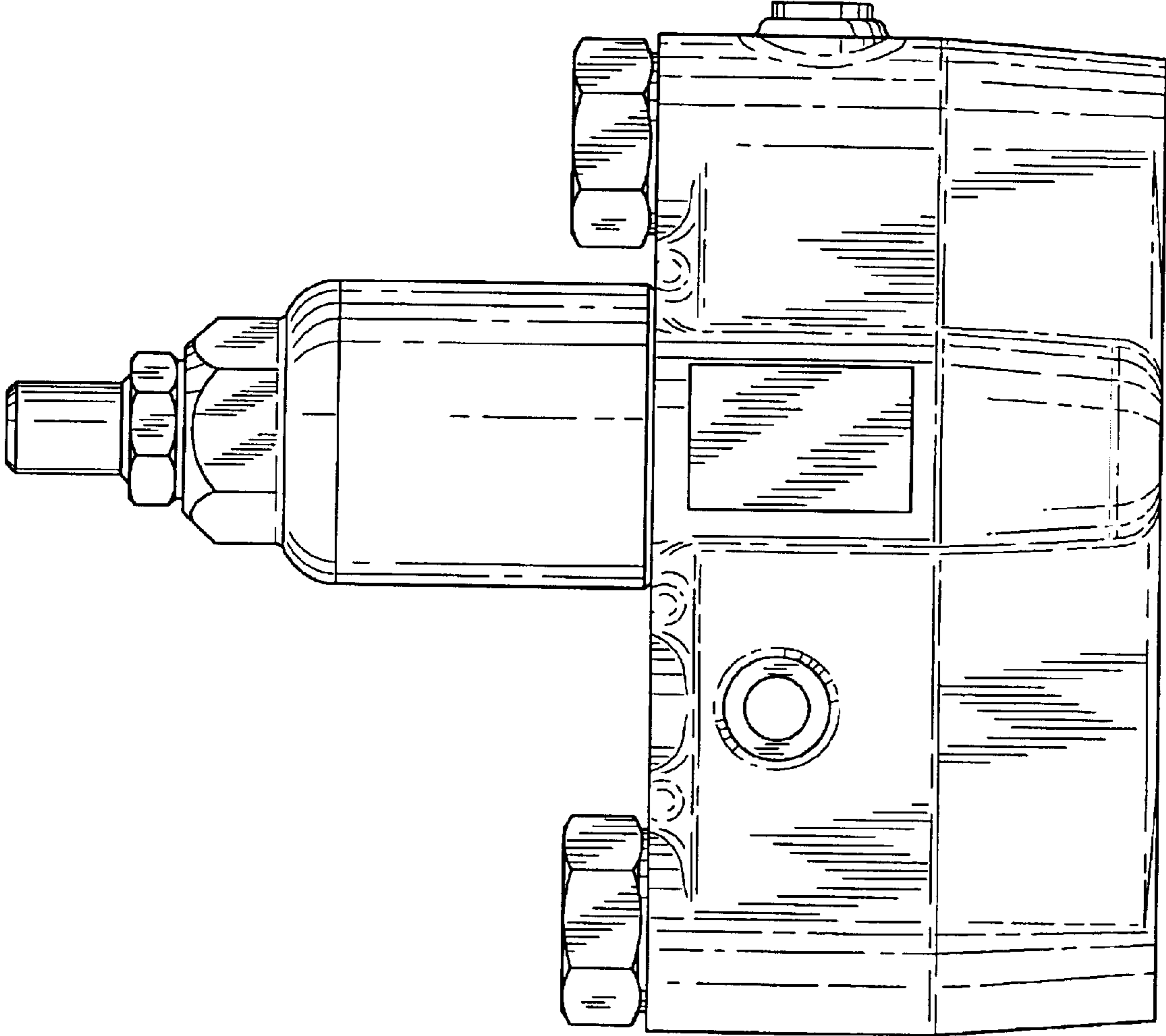


Fig. 2