

US00D494251S1

(12) **United States Design Patent**  
**Fox, Jr. et al.**

(10) **Patent No.: US D494,251 S**  
(45) **Date of Patent: \*\* Aug. 10, 2004**

(54) **AQUARIUM FILTER**

(75) Inventors: **John Edward Fox, Jr.**, Blacksburg, VA (US); **Joseph Christopher Carley**, Blacksburg, VA (US); **Jeffrey Alan Warden**, Chapel Hill, NC (US)

(73) Assignee: **Tetra Holding (US), Inc.**, Blacksburg, VA (US)

(\*\*) Term: **14 Years**

(21) Appl. No.: **29/137,936**

(22) Filed: **Mar. 1, 2001**

(51) **LOC (7) Cl.** ..... **23-01**

(52) **U.S. Cl.** ..... **D23/210**

(58) **Field of Search** ..... D23/207, 209,  
D23/210; 210/416.2, 169

(56) **References Cited**

**U.S. PATENT DOCUMENTS**

2,782,161 A \* 2/1957 Willinger et al. .... 210/169  
4,602,996 A \* 7/1986 Willinger ..... 210/136

D317,966 S \* 7/1991 Willinger ..... D23/210  
D355,701 S \* 2/1995 Willinger et al. .... D23/209  
5,799,612 A \* 9/1998 Page ..... 119/260  
D462,739 S \* 9/2002 Carley et al. .... D23/210

\* cited by examiner

*Primary Examiner*—Robin V. Taylor

(74) *Attorney, Agent, or Firm*—Merchant & Gould P.C.

(57) **CLAIM**

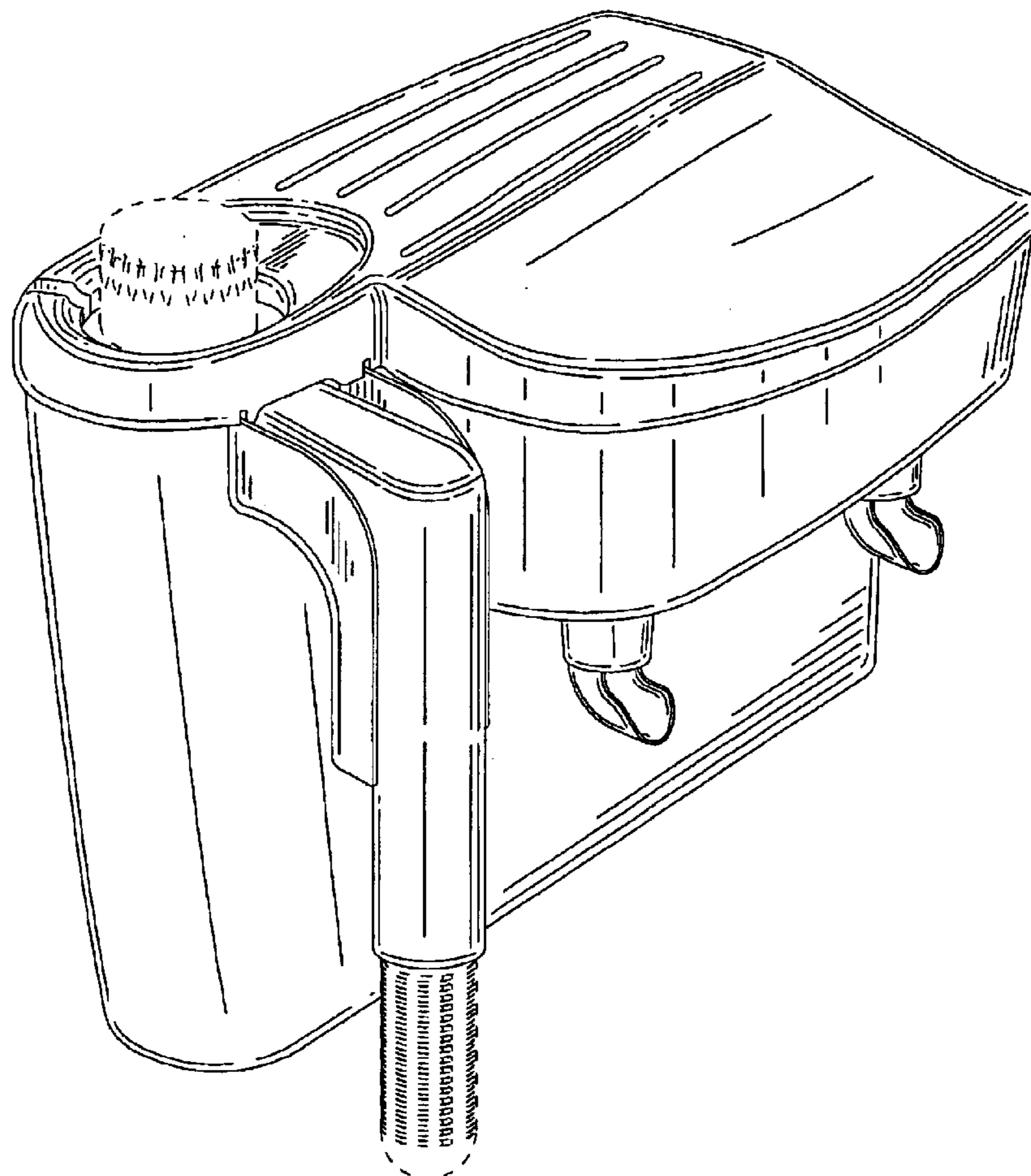
The ornamental design for an aquarium filter, as shown and described.

**DESCRIPTION**

FIG. 1 is a perspective view of the filter;  
FIG. 2 is a top plan view of the filter;  
FIG. 3 is a right side elevational view of the filter;  
FIG. 4 is a front elevational view of the filter;  
FIG. 5 is a rear elevational view of the filter;  
FIG. 6 is a left side elevational view of the filter; and,  
FIG. 7 is a bottom plan view of the filter.

The broken lines shown in FIGS. 1–7 are for illustrative purpose only and form no part of the claimed design.

**1 Claim, 6 Drawing Sheets**



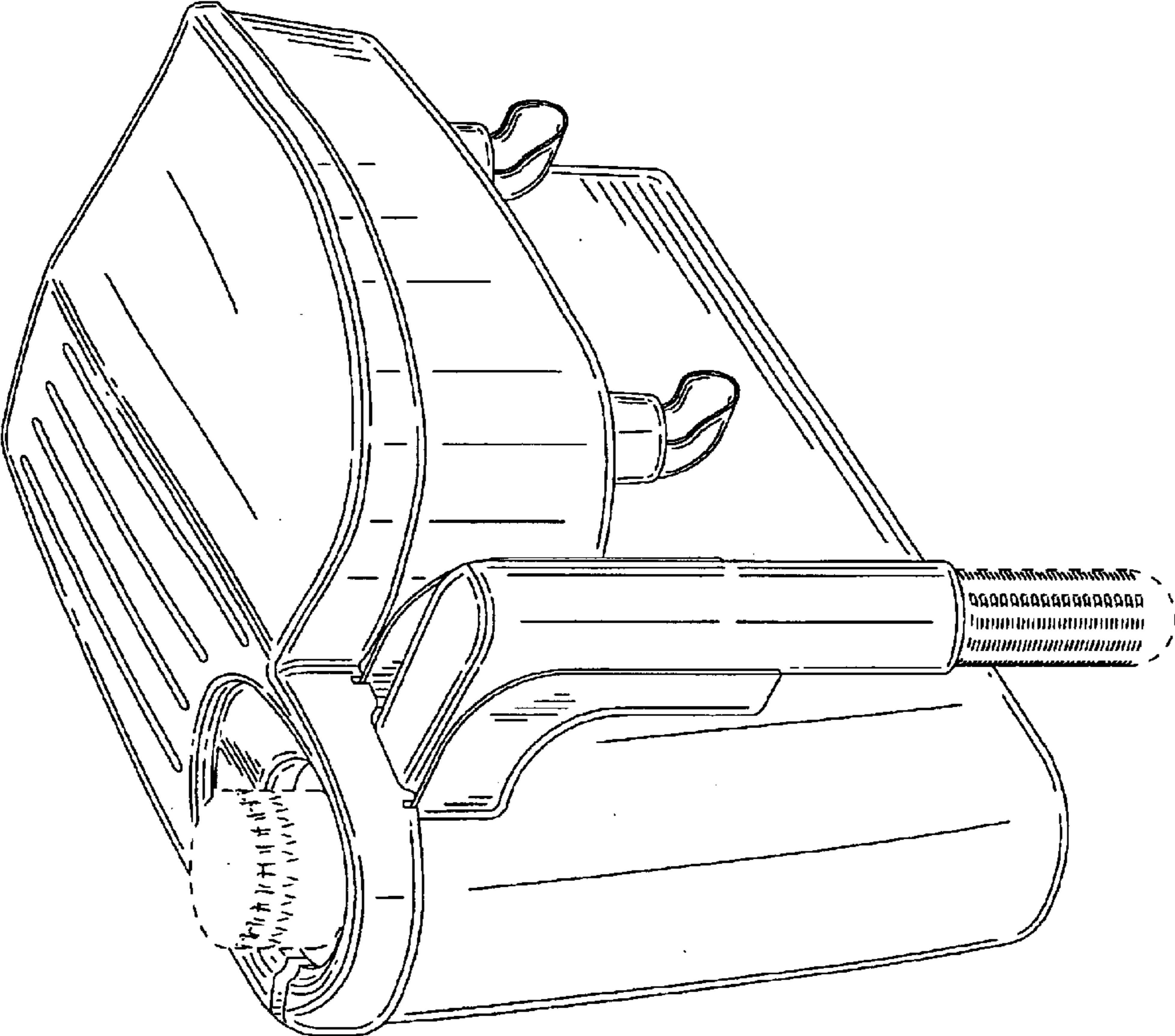


FIG. 1

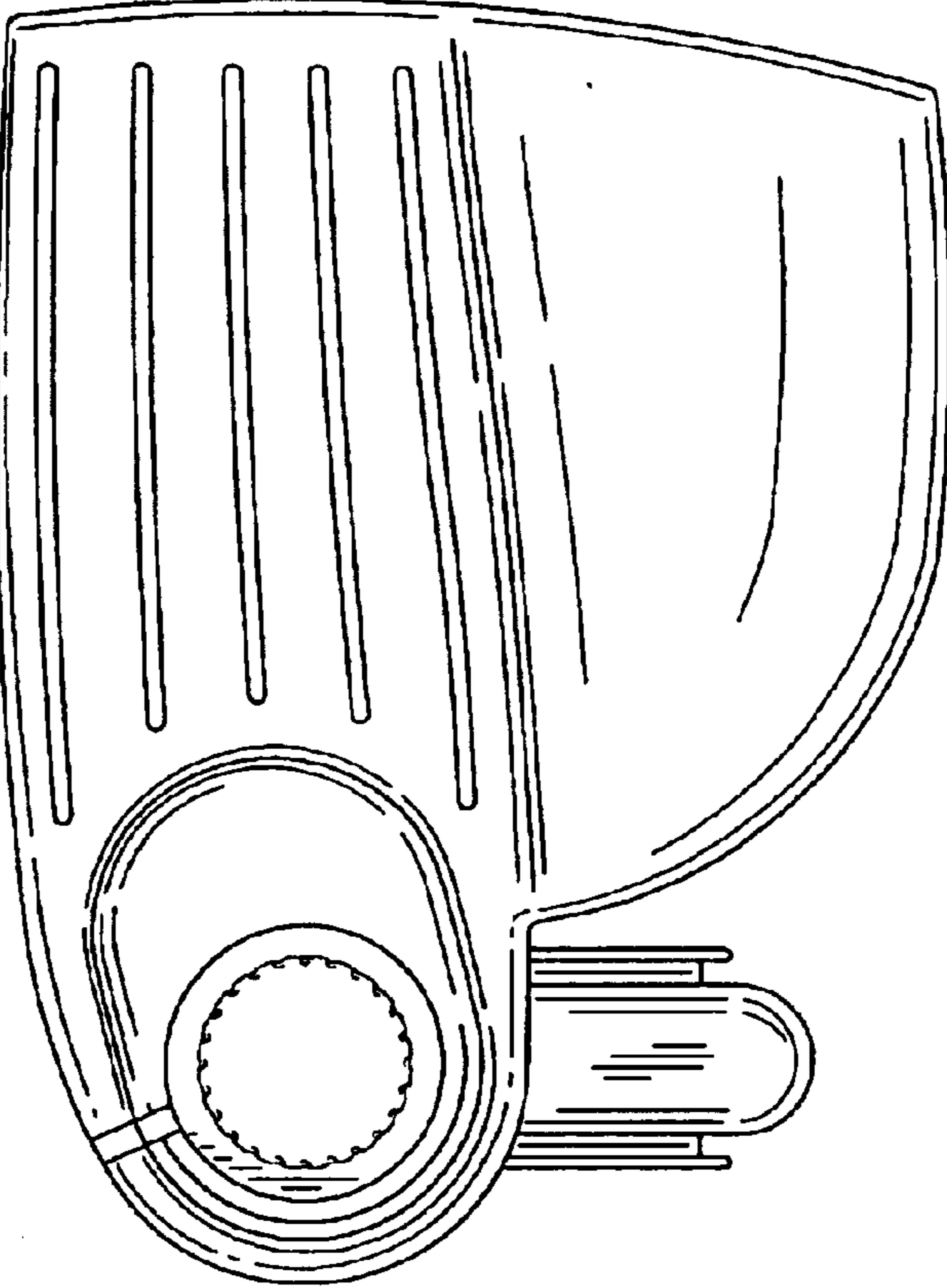


FIG. 2

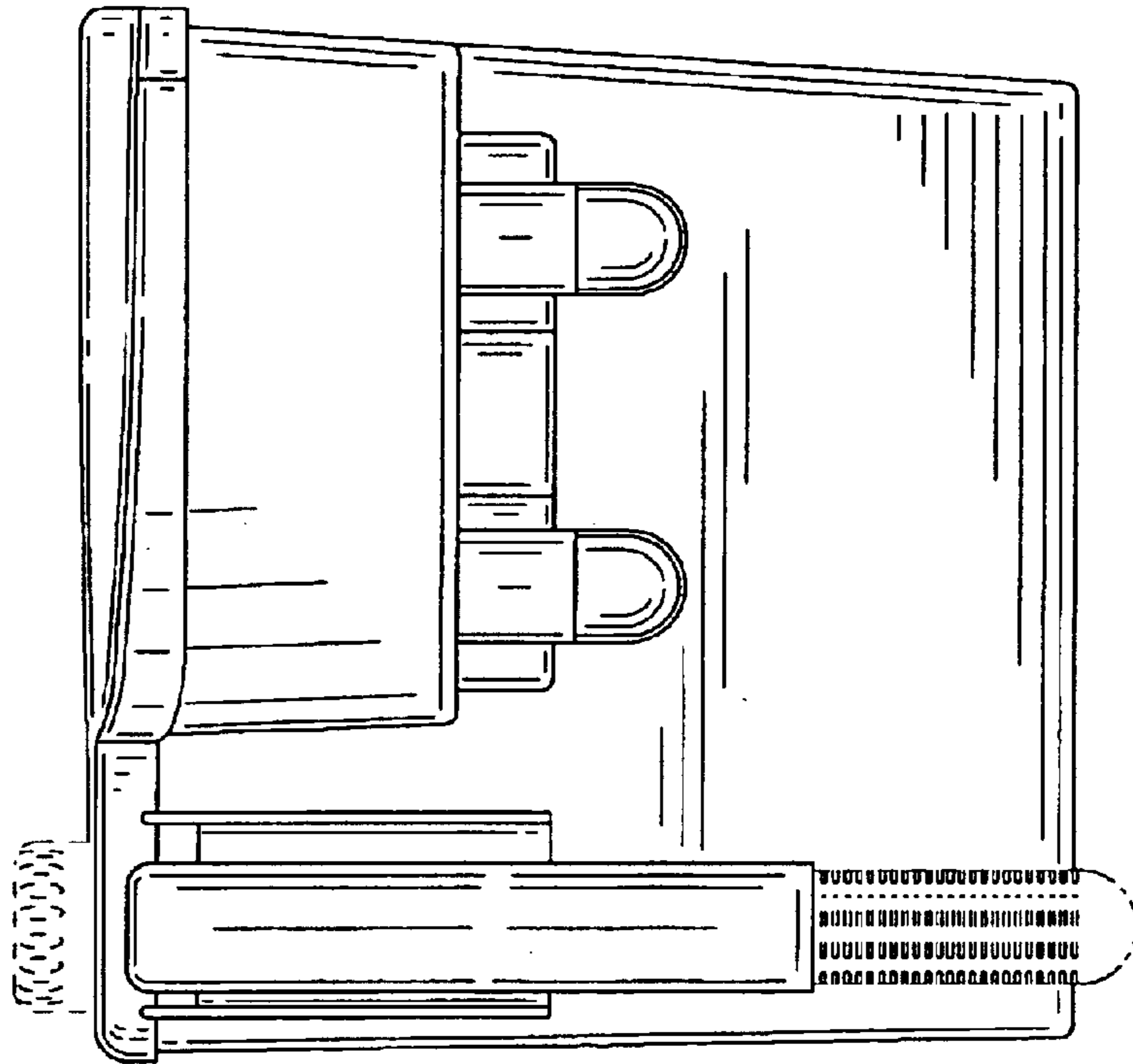


FIG. 3

FIG. 5

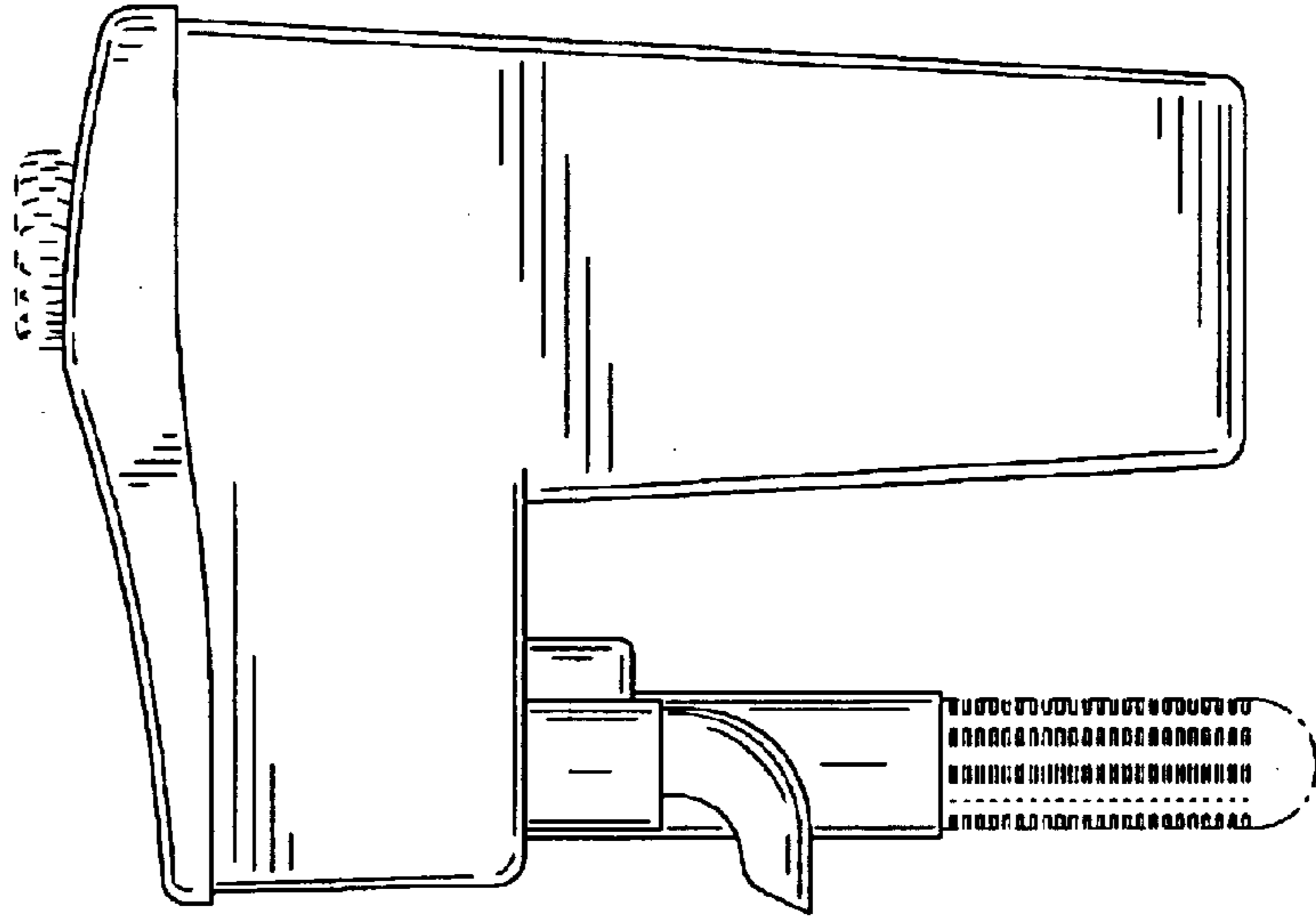
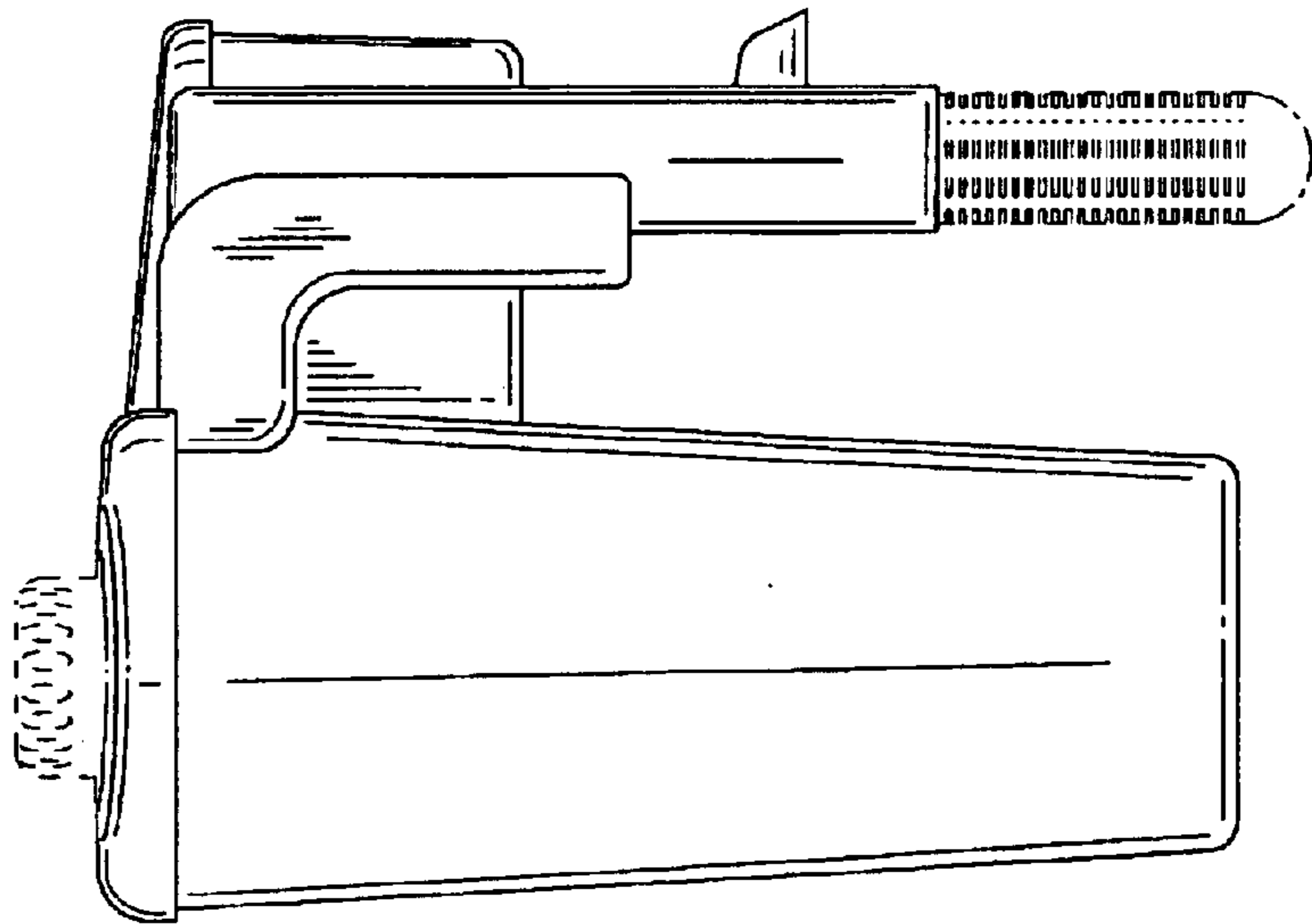


FIG. 4



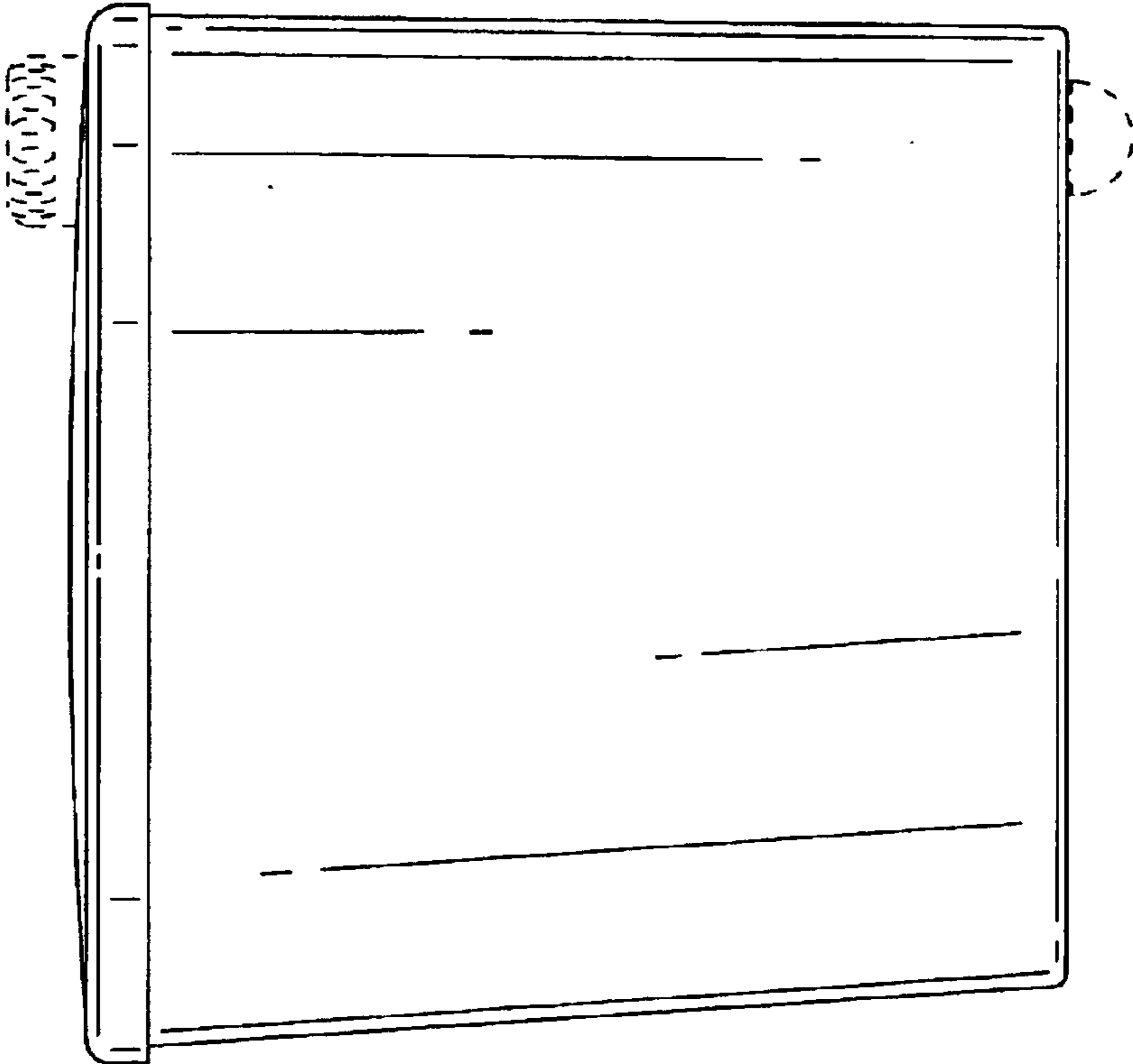


FIG. 6

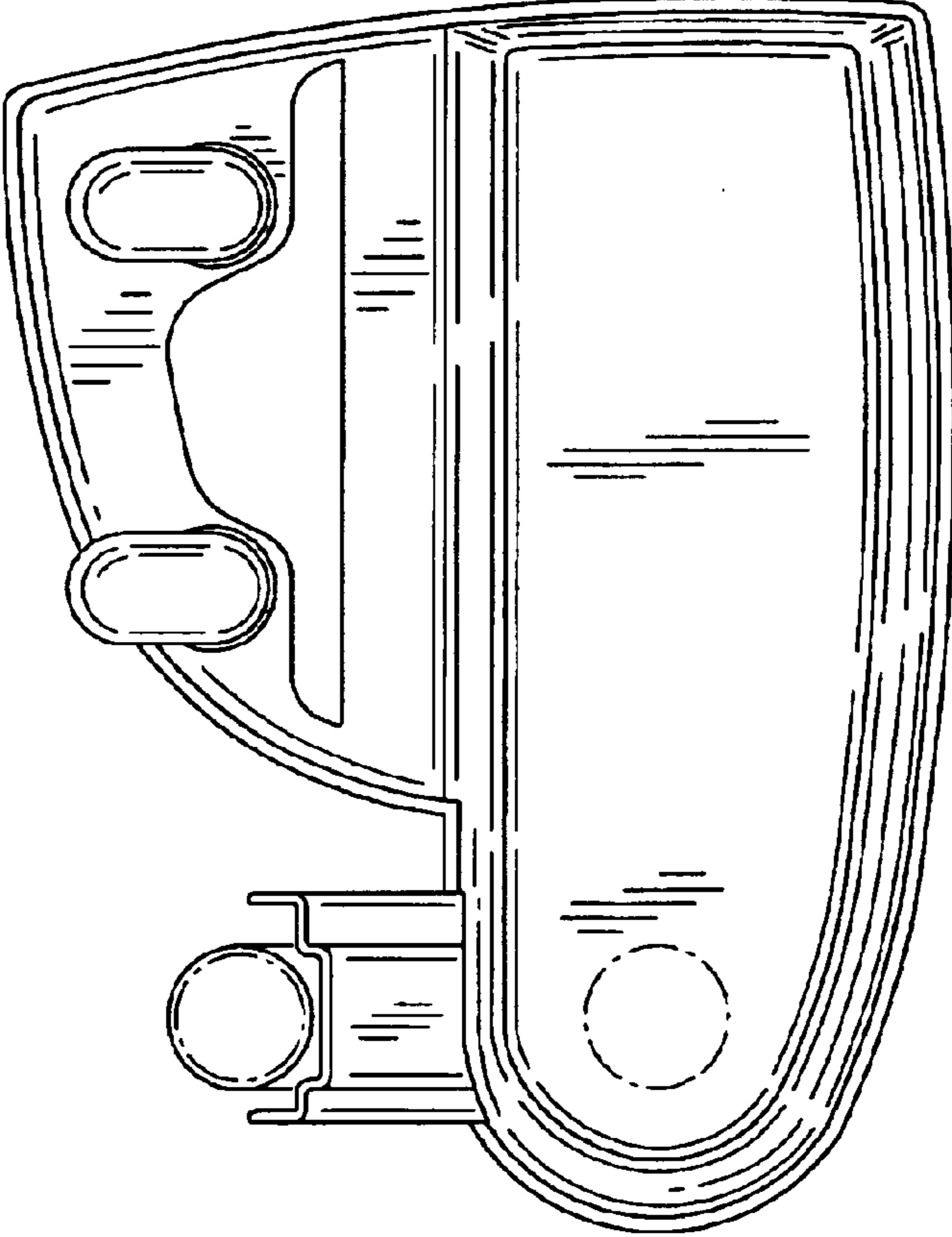


FIG. 7