

US00D494243S1

(12) **United States Design Patent**
Gerling

(10) **Patent No.:** **US D494,243 S**

(45) **Date of Patent:** **** Aug. 10, 2004**

(54) **TRAINING PUTTER**

(76) **Inventor:** **James L. Gerling**, 12480 Clearwater Dr., Reno, NV (US) 89511

(**) **Term:** **14 Years**

(21) **Appl. No.:** **29/193,217**

(22) **Filed:** **Nov. 4, 2003**

(51) **LOC (7) Cl.** **21-02**

(52) **U.S. Cl.** **D21/791**

(58) **Field of Search** D21/736-746,
D21/789, 791; 473/251-256, 324-328,
340, 341

(56) **References Cited**

U.S. PATENT DOCUMENTS

D208,984 S	*	10/1967	Heulsman	D21/736
D242,730 S	*	12/1976	Pappas	D21/736
D258,377 S	*	2/1981	Nordness et al.	D21/736
D272,257 S	*	1/1984	Perkins	D21/759
D289,912 S	*	5/1987	Cotchonis	D21/744
4,722,528 A	*	2/1988	Tsao	473/254
D331,611 S	*	12/1992	Gebhardt	D21/743
5,267,733 A	*	12/1993	Szokola	473/313
5,382,019 A	*	1/1995	Sneed	473/304
D387,829 S	*	12/1997	Blaine	D21/741
5,816,935 A	*	10/1998	Se-Hyup	473/313

D458,658 S * 6/2002 Jung D21/744

* cited by examiner

Primary Examiner—Mitchell Siegel

(74) *Attorney, Agent, or Firm*—R. Michael West

(57) **CLAIM**

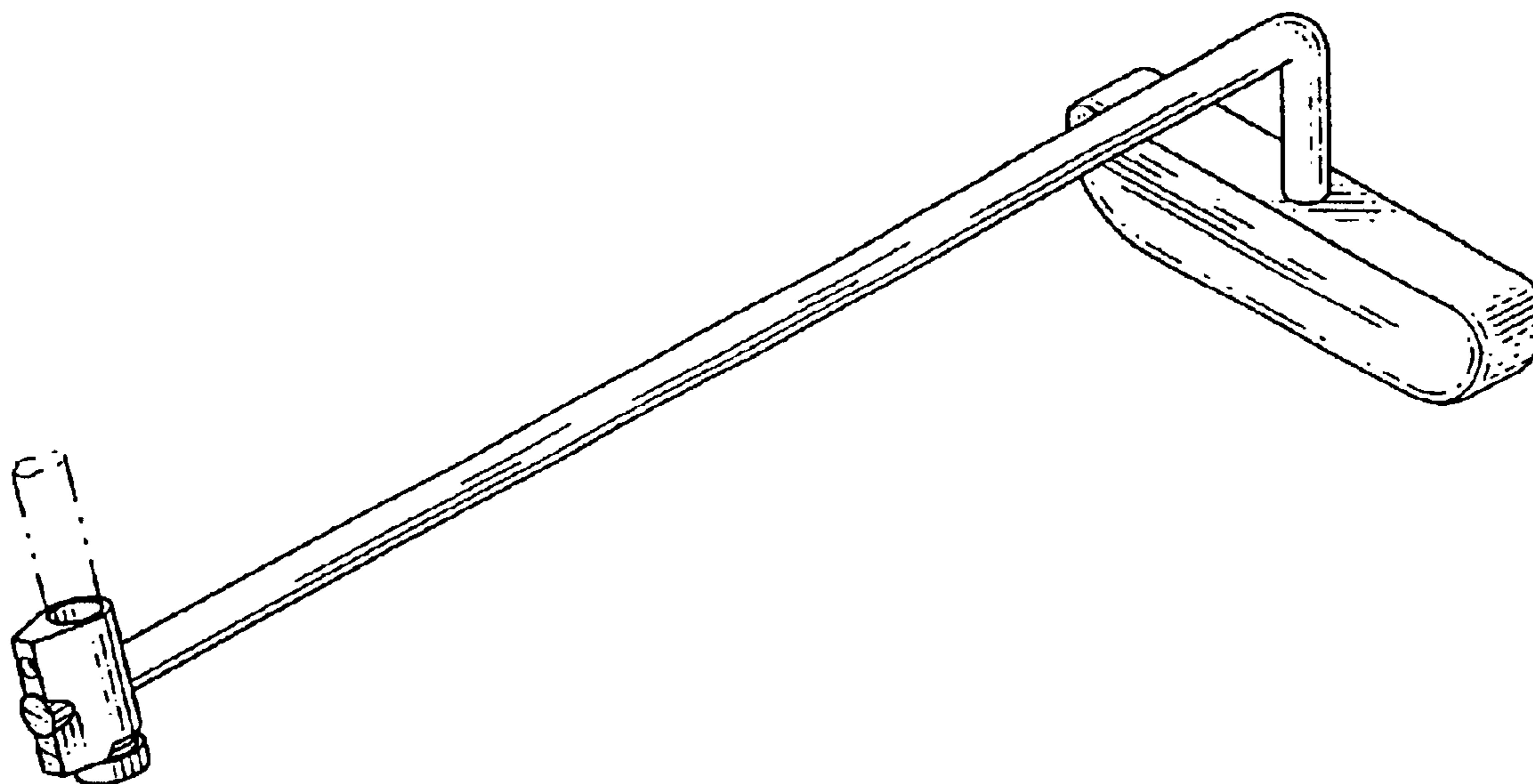
The ornamental design for a training putter, as shown and described.

DESCRIPTION

FIG. 1 is a perspective view of the underside of a training putter, taken to a reduced scale, showing my new design; FIG. 2 is a perspective view of the upperside, thereof, with the shaft holder in a fully extended position; FIG. 3 is a front elevational view, thereof; FIG. 4 is a rear elevational view, thereof; FIG. 5 is an elevational view, thereof, taken from the right-hand side of the article as shown in FIG. 3; FIG. 6 is a top plan view, thereof; FIG. 7 is an elevational view, thereof, taken from the left-hand side of the article as shown in FIG. 3; and, FIG. 8 is a bottom plan view, thereof.

The broken line representations of the golf club shaft and handle shown in the Figures are included solely for illustrative purposes, forming no part of the claimed design.

1 Claim, 2 Drawing Sheets



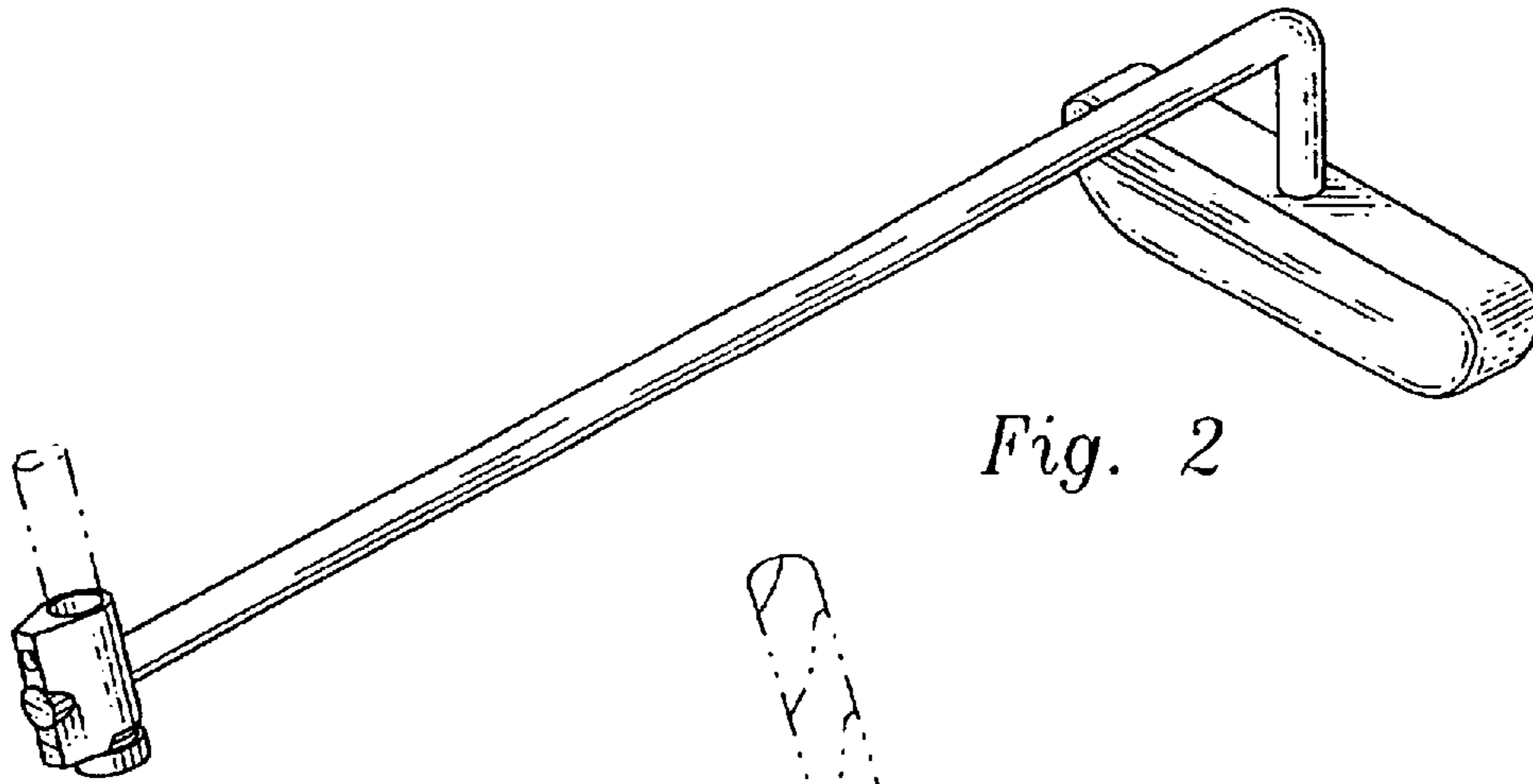


Fig. 2

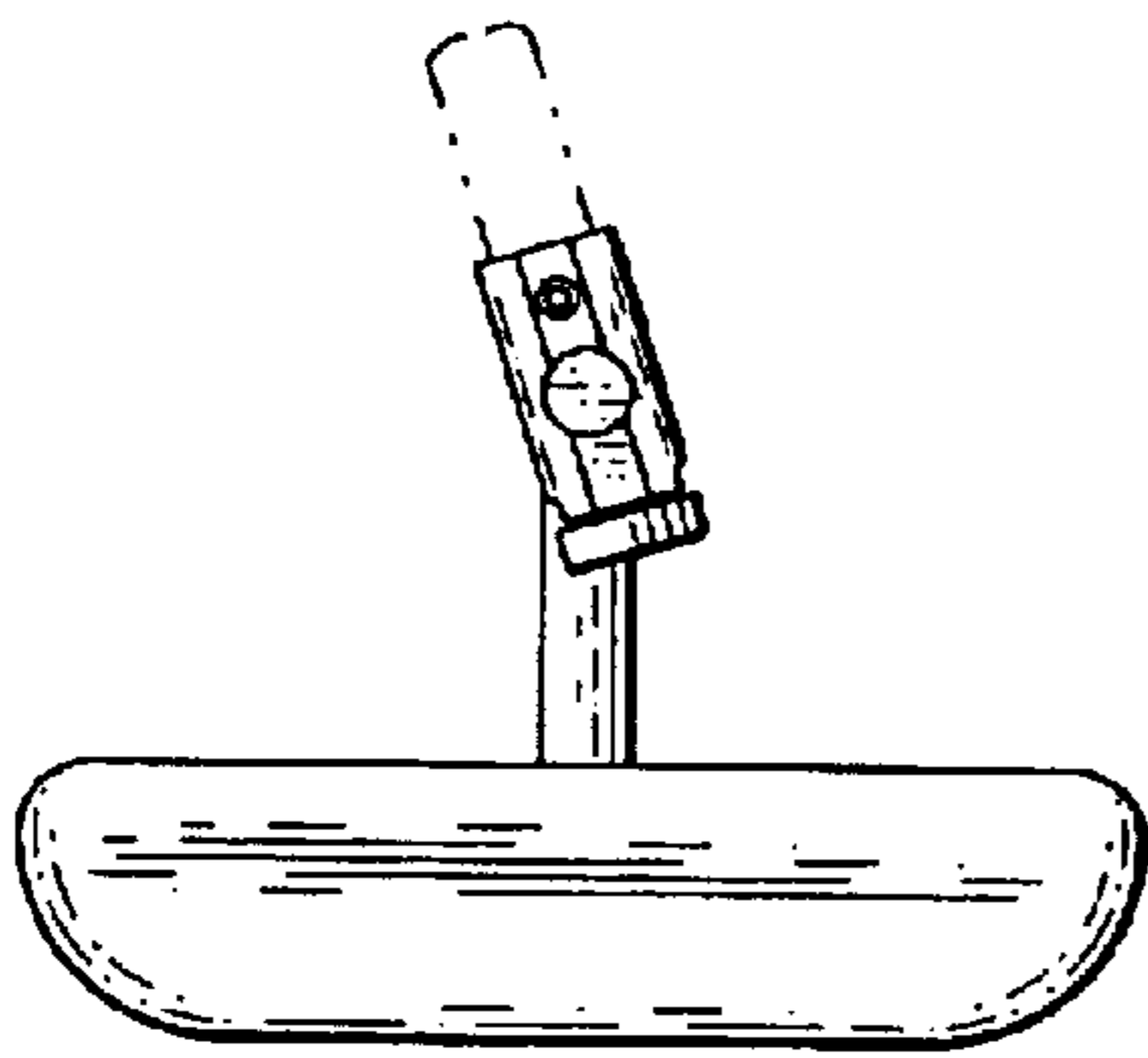


Fig. 3

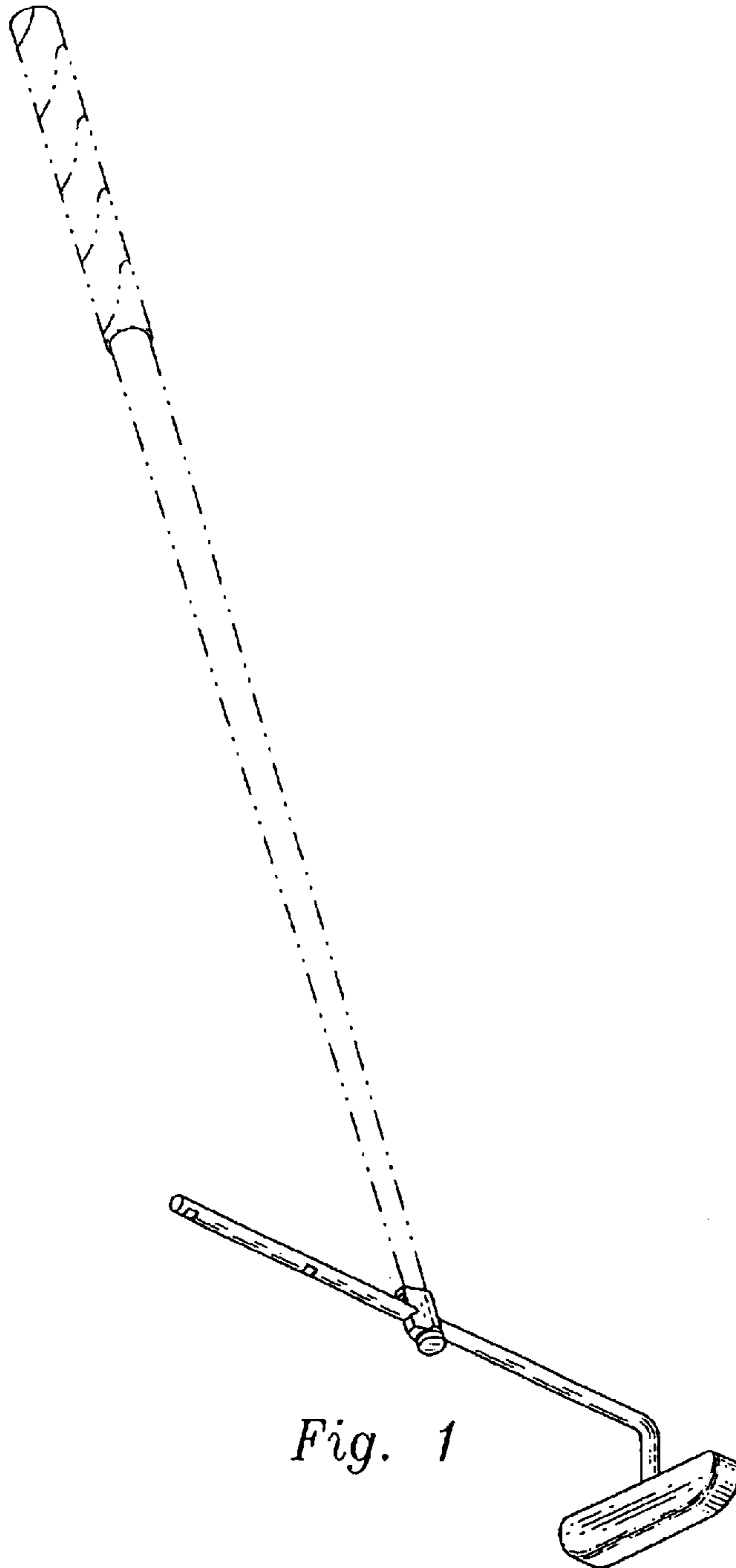


Fig. 1

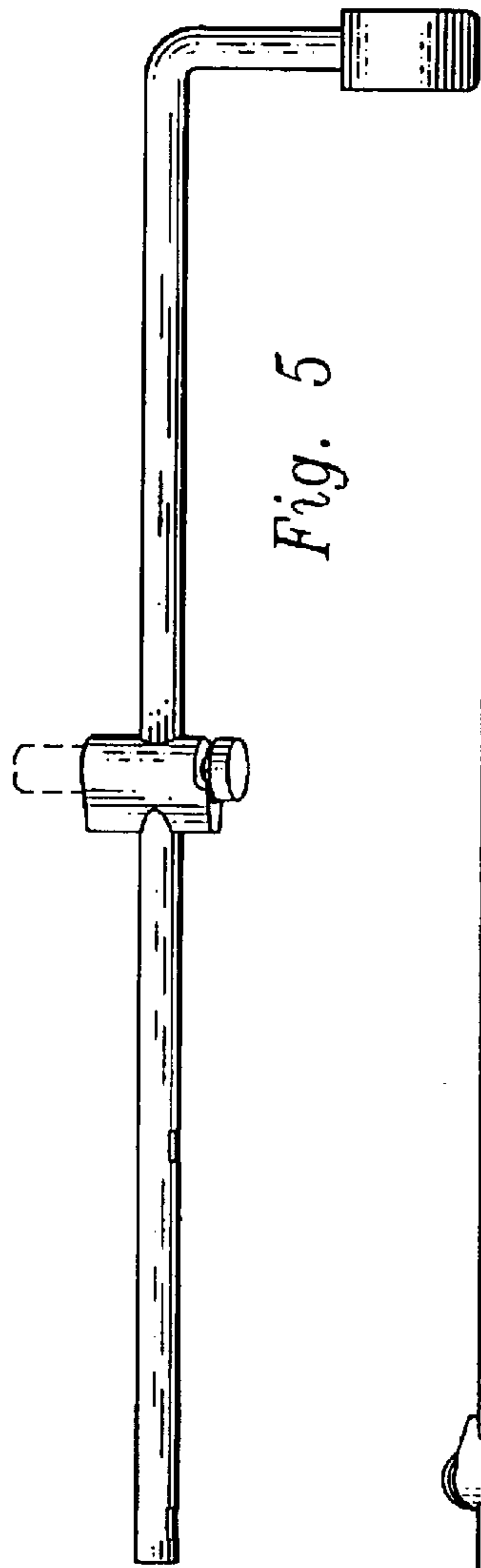


Fig. 5

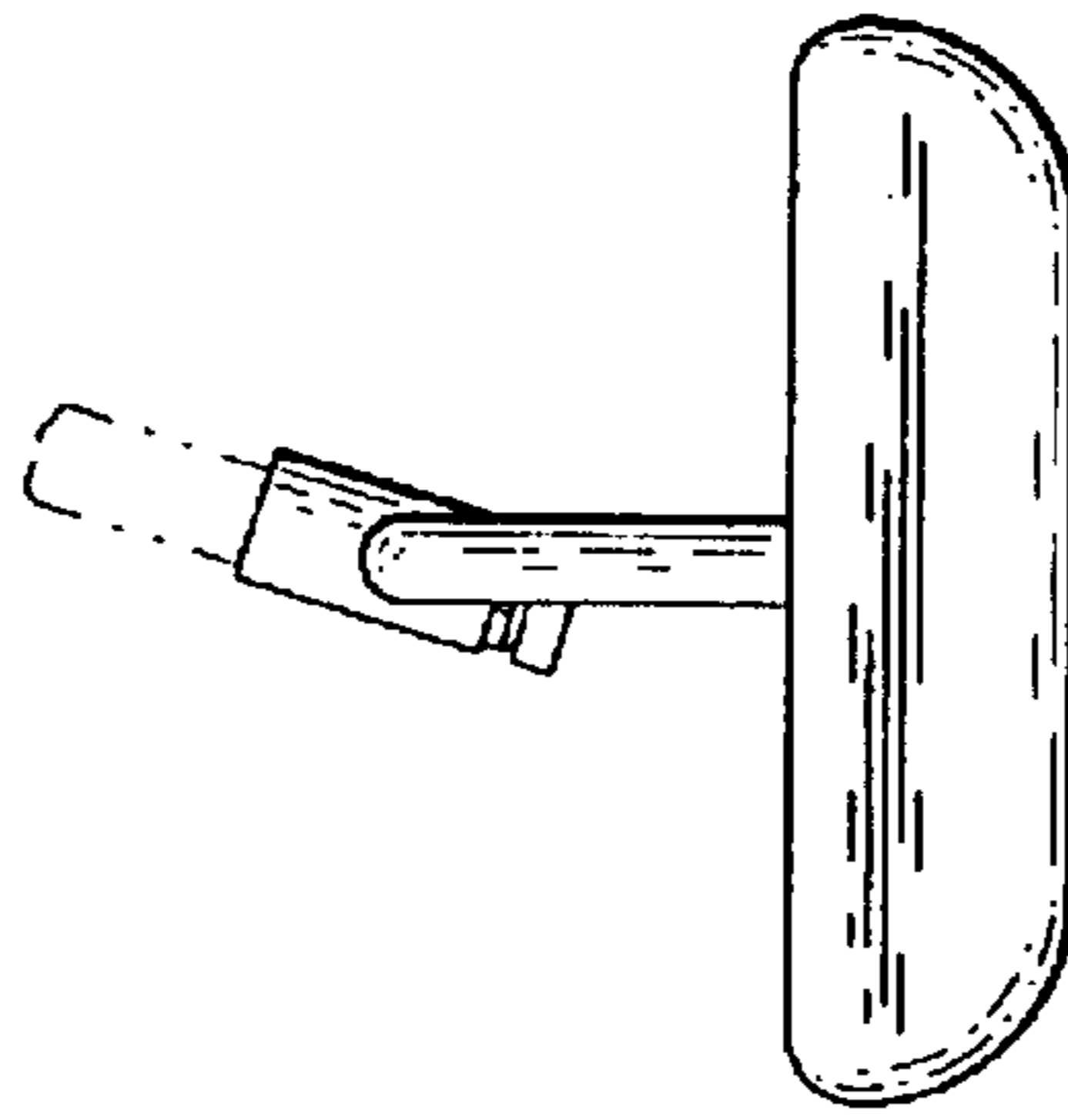


Fig. 4

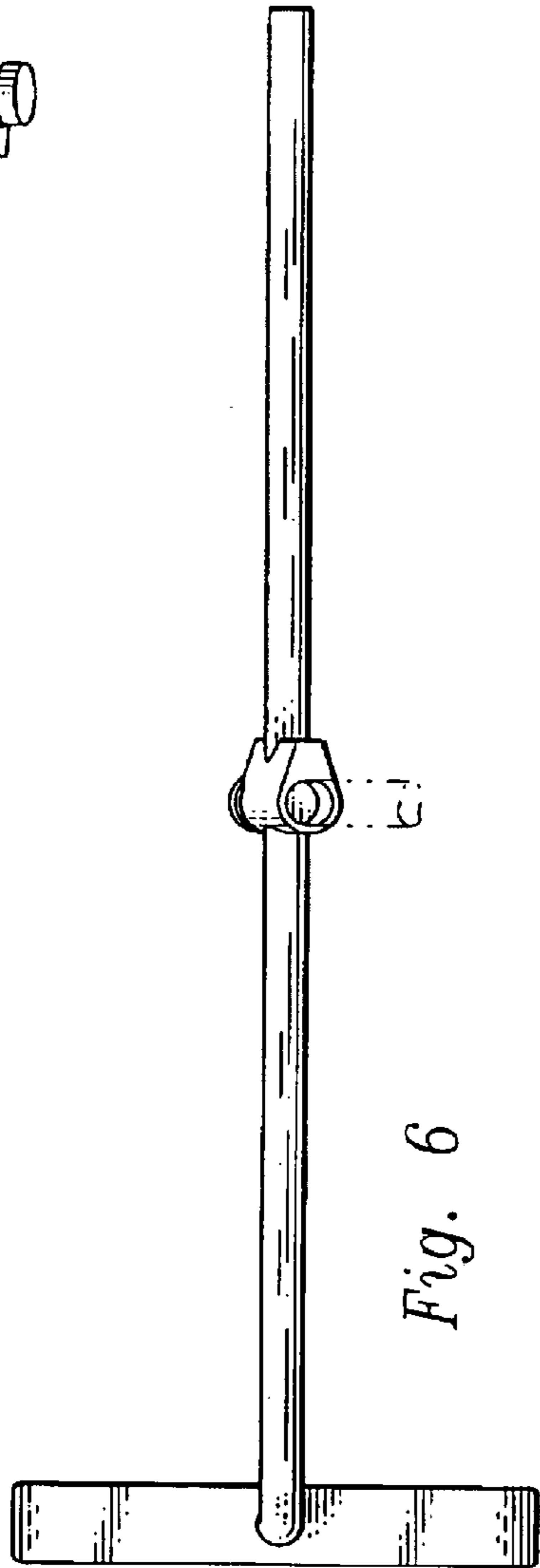


Fig. 6

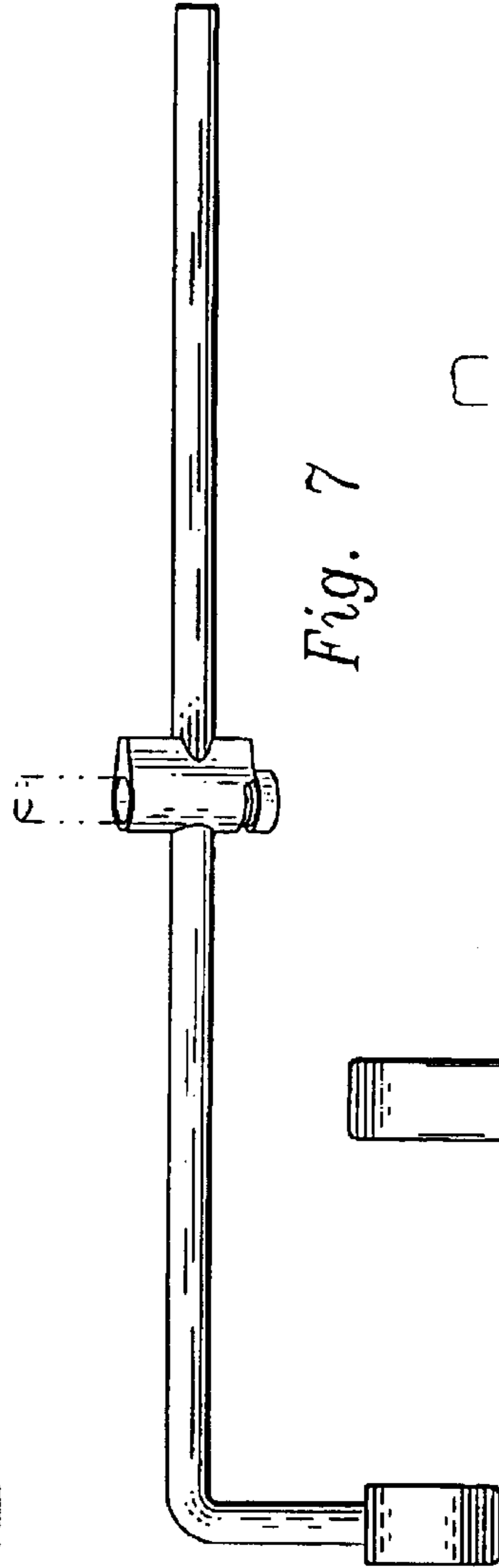


Fig. 7

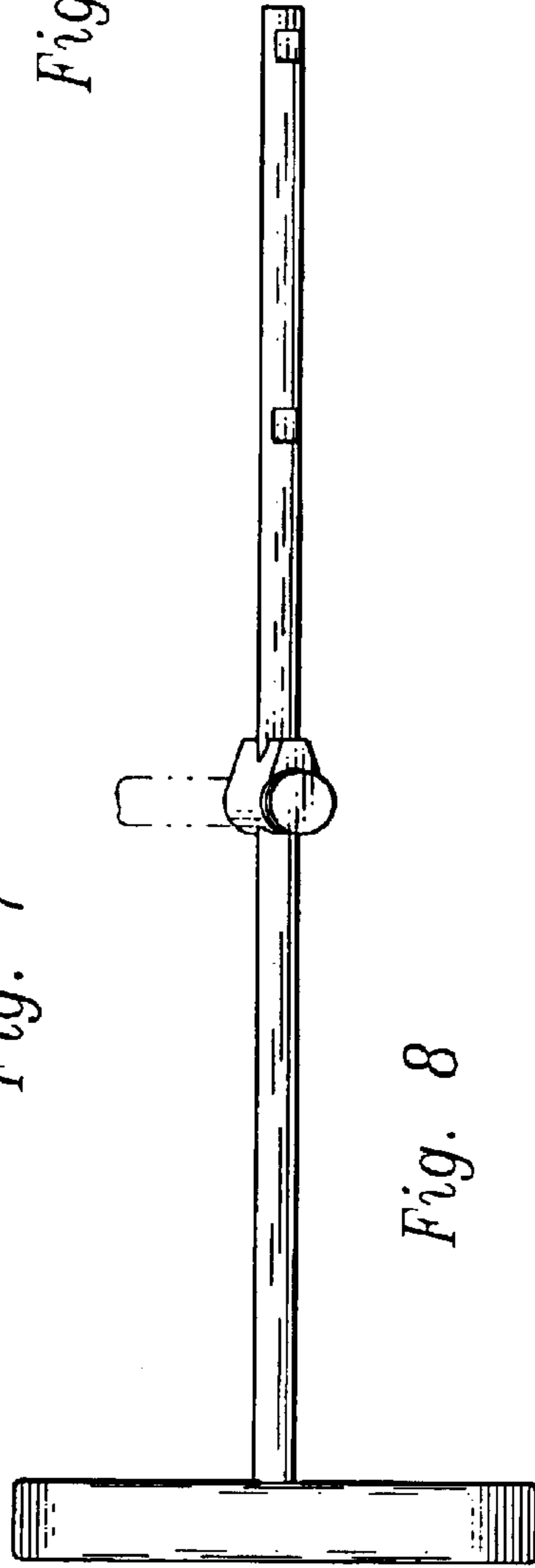


Fig. 8