

US00D494241S1

(12) **United States Design Patent**  
**Moore, Sr.**

(10) **Patent No.:** **US D494,241 S**  
(45) **Date of Patent:** **\*\* Aug. 10, 2004**

(54) **BILLIARD TABLE**

(75) **Inventor:** **William D. Moore, Sr., Colfax, NC (US)**

(73) **Assignee:** **Brunswick Bowling & Billiards Corporation, Muskegon, MI (US)**

(\*\*) **Term:** **14 Years**

(21) **Appl. No.:** **29/190,066**

(22) **Filed:** **Sep. 15, 2003**

(51) **LOC (7) Cl.** ..... **06-03**

(52) **U.S. Cl.** ..... **D21/784**

(58) **Field of Search** ..... D21/782-784;  
D6/422, 423, 428, 480, 495-499, 482;  
473/1, 4, 6, 10, 29, 34

(56) **References Cited**

**U.S. PATENT DOCUMENTS**

249,541 A	*	11/1881	Morse	.....	473/33
D14,834 S	*	2/1884	Wagner	.....	D21/784
1,656,416 A	*	1/1928	Brinkman	.....	473/22
D89,903 S	*	5/1933	Matteson	.....	D21/784
D122,580 S	*	9/1940	Wendt	.....	D21/784
3,521,847 A	*	7/1970	Porter	.....	248/188
D394,485 S	*	5/1998	Flathers	.....	D21/783
D476,389 S	*	6/2003	Flathers	.....	D21/784

**OTHER PUBLICATIONS**

Olhausen Pool Tables Ctalog, 1999, p. 3.\*

\* cited by examiner

*Primary Examiner*—Prabhakar Deshmukh

(74) *Attorney, Agent, or Firm*—Dykema Gossett PLLC

(57) **CLAIM**

The ornamental design for a billiard table, as shown and described.

**DESCRIPTION**

FIG. 1 is a perspective view of a billiard table showing my new design.

FIG. 2 is a front elevational view of the billard table shown in FIG. 1.

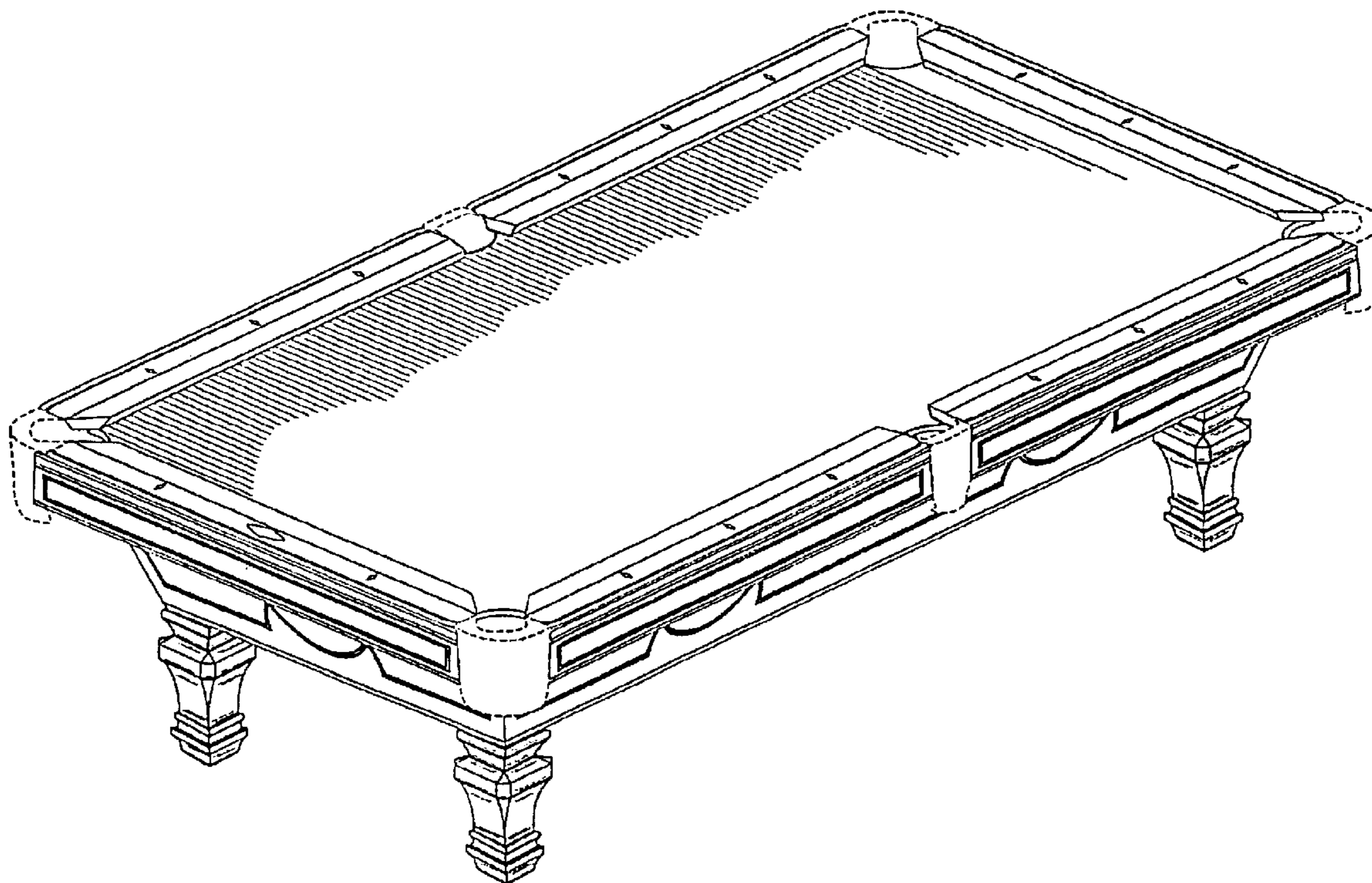
FIG. 3 is a side elevational view of the billiard table shown in FIG. 1.

FIG. 4 is a top plan view of the billiard table shown in FIG. 1; and,

FIG. 5 is a bottom plan view of the billiard table shown in FIG. 1.

The broken line showing of the billiard table pockets is for illustrative purposes only and forms no part of the claimed design.

**1 Claim, 5 Drawing Sheets**



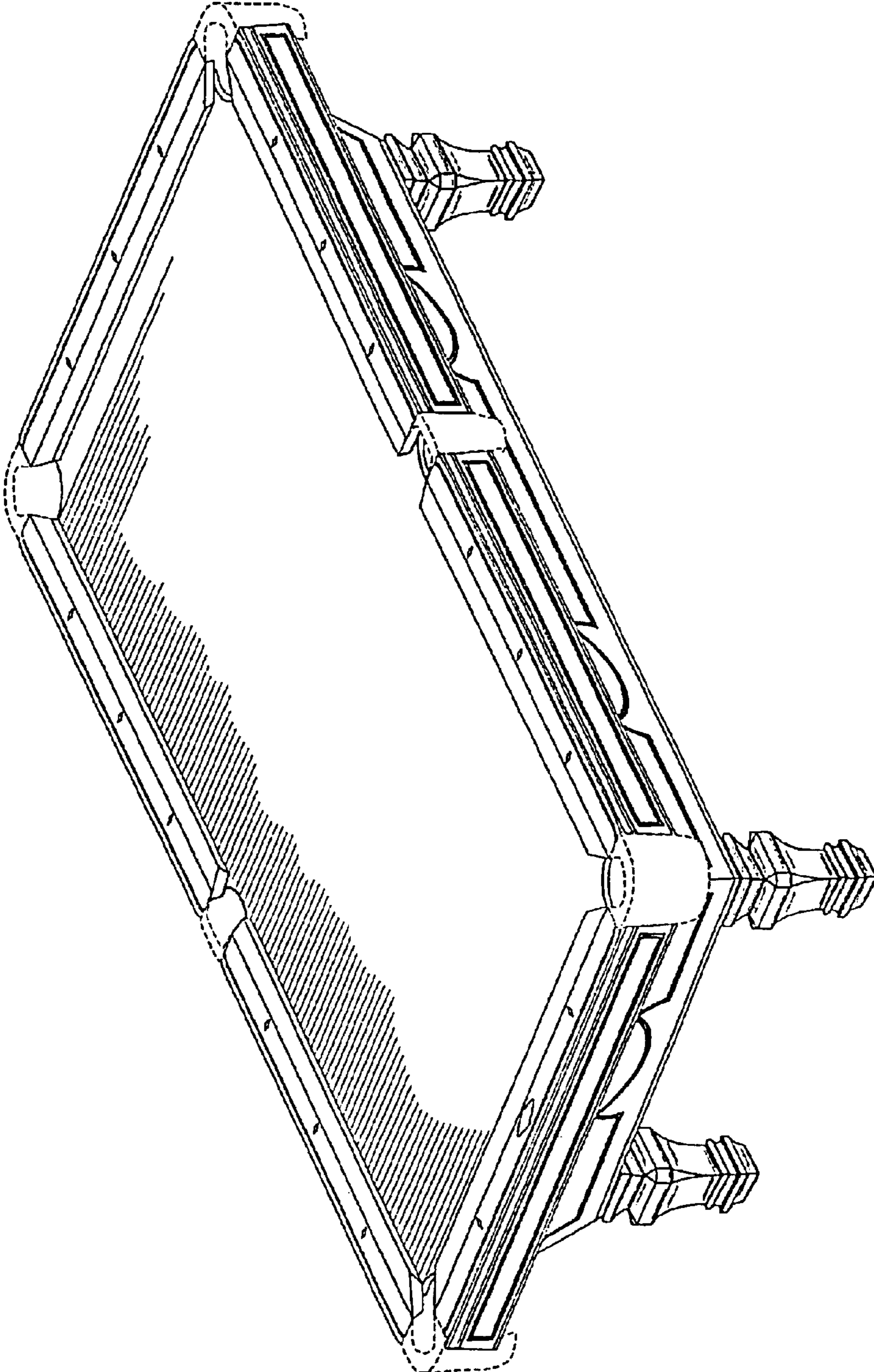


FIG. 1

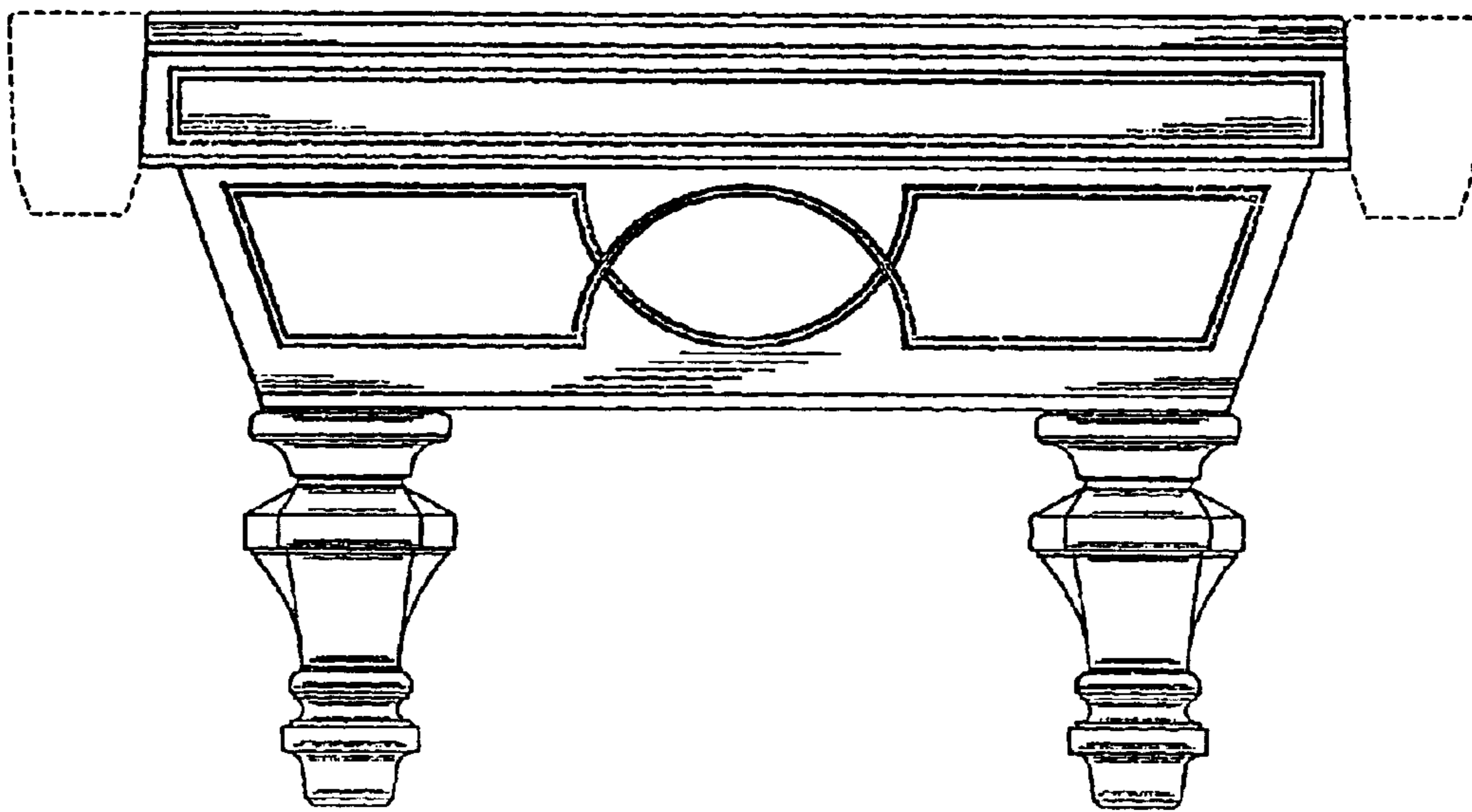


FIG. 2



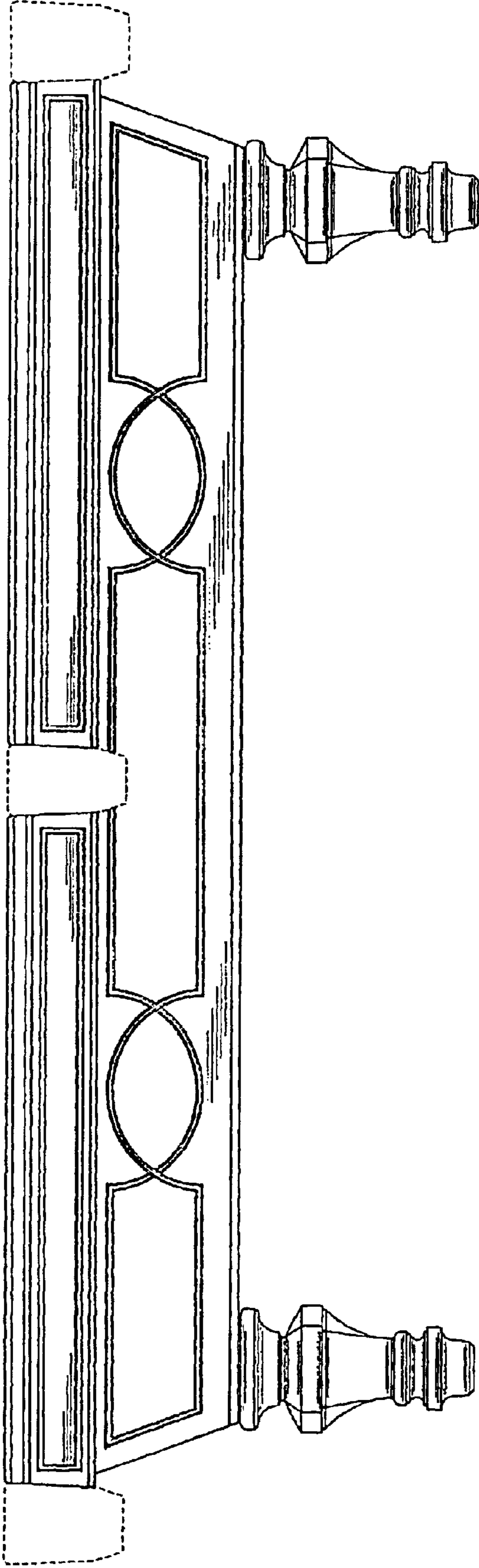


FIG. 3

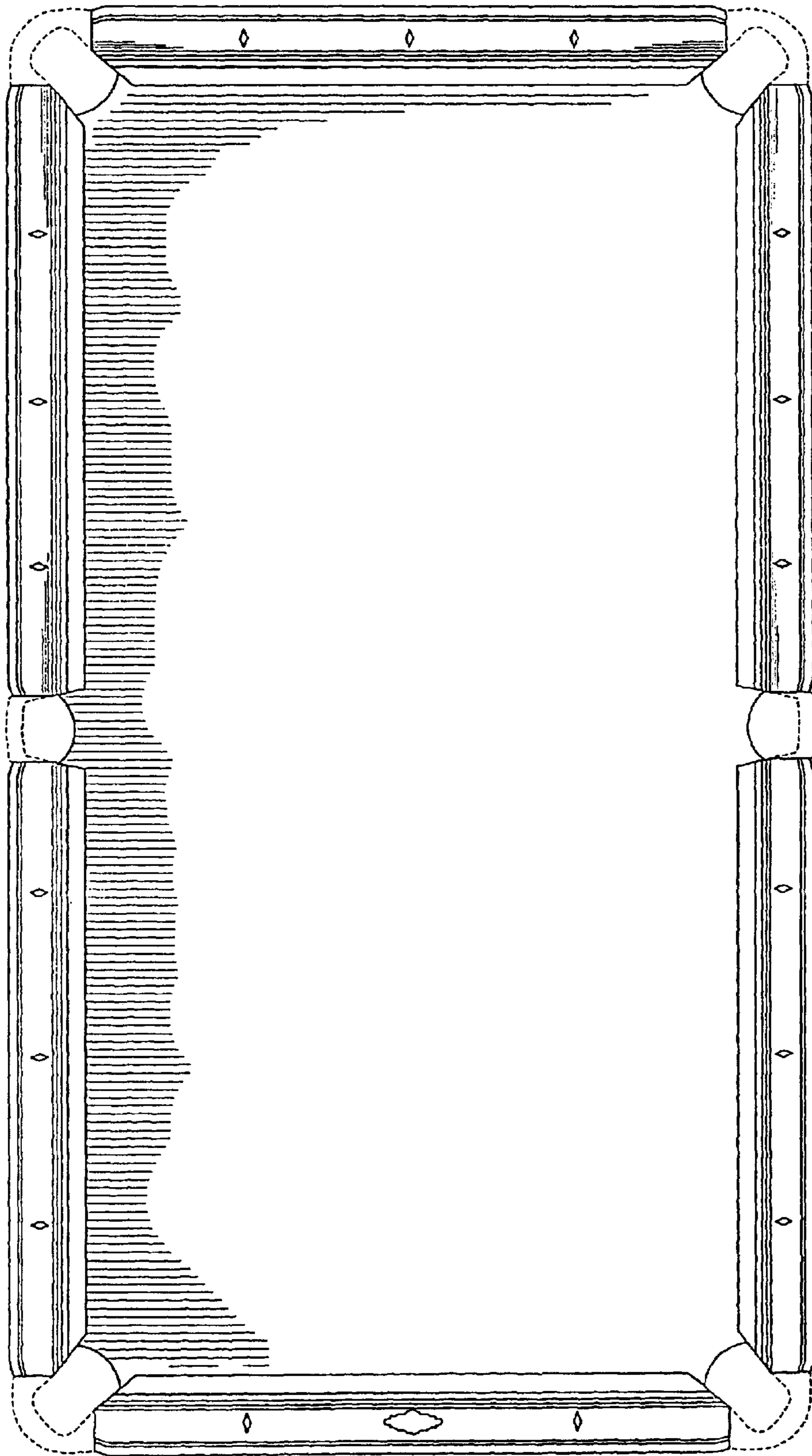


FIG. 4

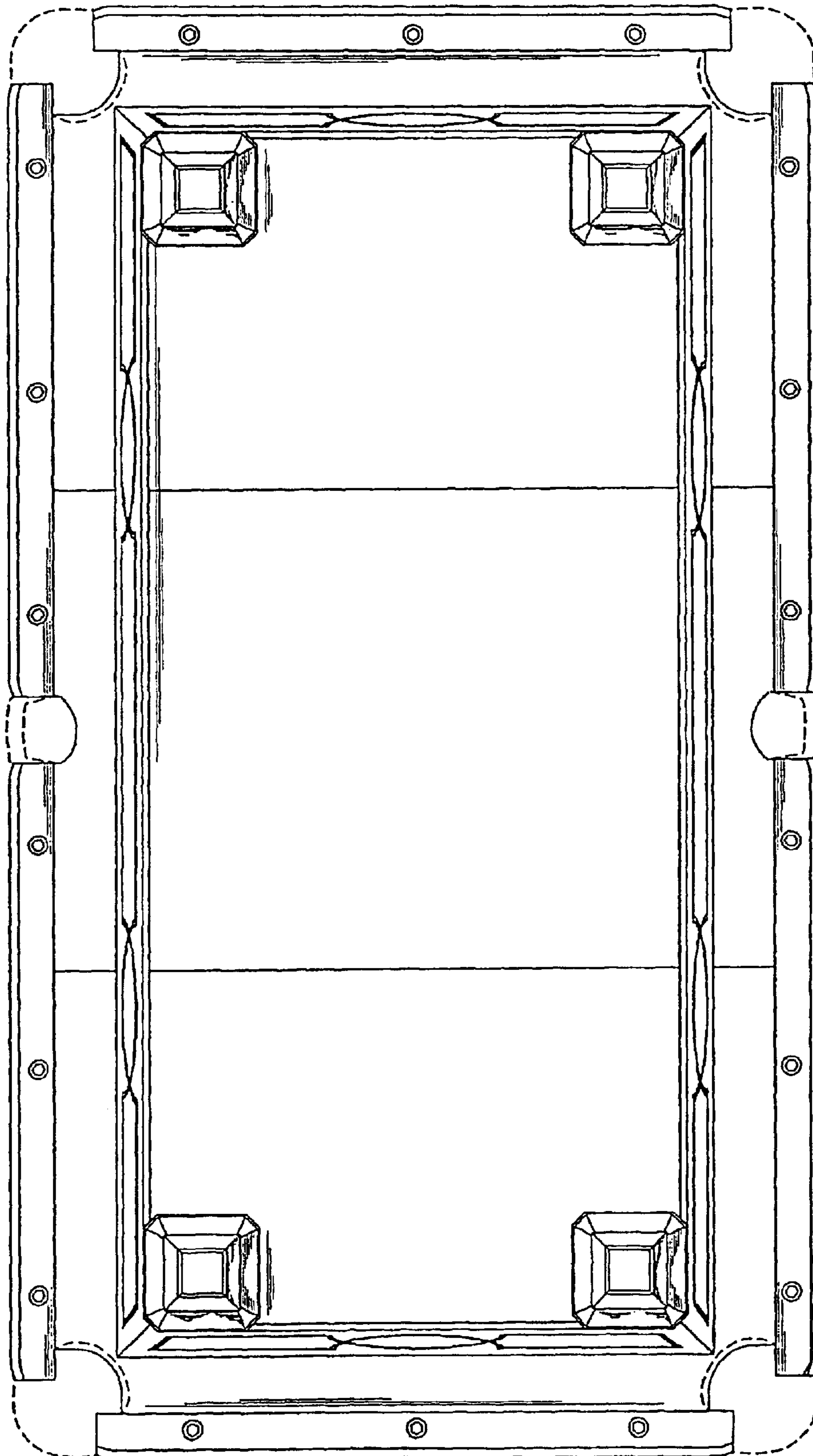


FIG. 5