

US00D494237S1

(12) **United States Design Patent**
Ware

(10) **Patent No.:** **US D494,237 S**

(45) **Date of Patent:** **** Aug. 10, 2004**

(54) **GOLF PUTTER HEAD**

D486,541 S * 2/2004 Bettinardi D21/738

(76) **Inventor:** **Barney T. Ware**, 4078A Quail Ridge Dr., Boynton Beach, FL (US) 33436

* cited by examiner

Primary Examiner—Mitchell Siegel

(**) **Term:** **14 Years**

(74) *Attorney, Agent, or Firm*—Welsh & Flaxman LLC

(21) **Appl. No.:** **29/190,905**

(57) **CLAIM**

(22) **Filed:** **Sep. 30, 2003**

The ornamental design for a golf putter head, as shown and described.

(51) **LOC (7) Cl.** **21-02**

DESCRIPTION

(52) **U.S. Cl.** **D21/736**

(58) **Field of Search** D21/736-746;
473/324-328, 251-256, 340, 341

FIG. 1 is a front perspective view of a golf putter head showing my new design.

FIG. 2 is a top plan view thereof.

FIG. 3 is a bottom plan view.

FIG. 4 is a front elevational view thereof.

FIG. 5 is an toe side elevational view.

FIG. 6 is a rear elevational view thereof.

FIG. 7 is a heel side elevational view; and,

FIG. 8 is a bottom perspective view thereof.

The broken line showing is for illustrative purposes only and forms no part of the claimed design.

(56) **References Cited**

U.S. PATENT DOCUMENTS

D244,303 S	*	5/1977	Cabot	D21/739
4,688,798 A	*	8/1987	Pelz	473/249
D309,765 S	*	8/1990	Pelz	D21/735
D309,766 S	*	8/1990	Pelz	D21/735
D317,034 S	*	5/1991	Pelz	D21/735
D317,962 S	*	7/1991	Pelz	D21/735
D477,041 S	*	7/2003	Cameron	D21/742
D486,540 S	*	2/2004	Bettinardi	D21/738

1 Claim, 3 Drawing Sheets

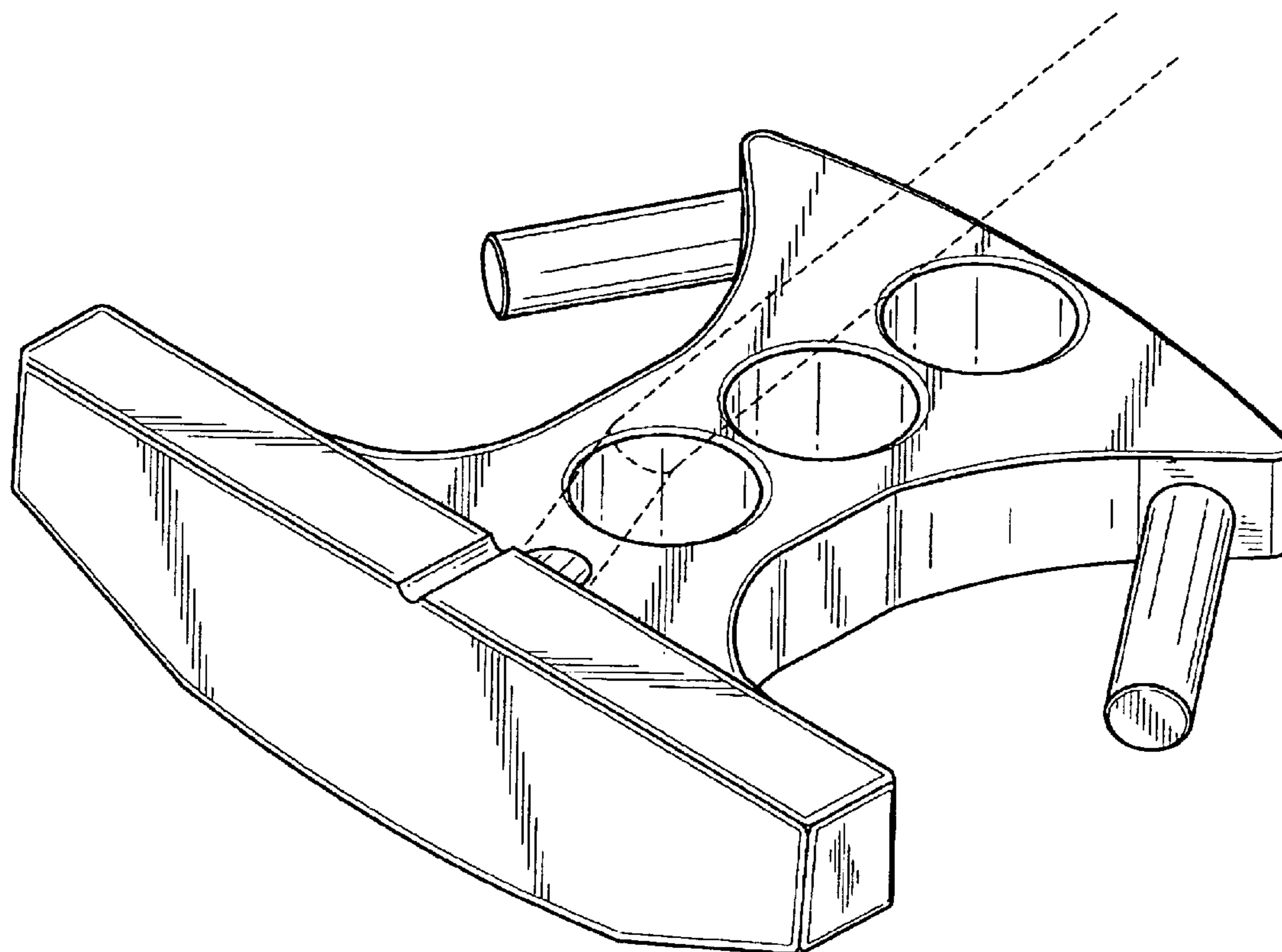


FIG.1

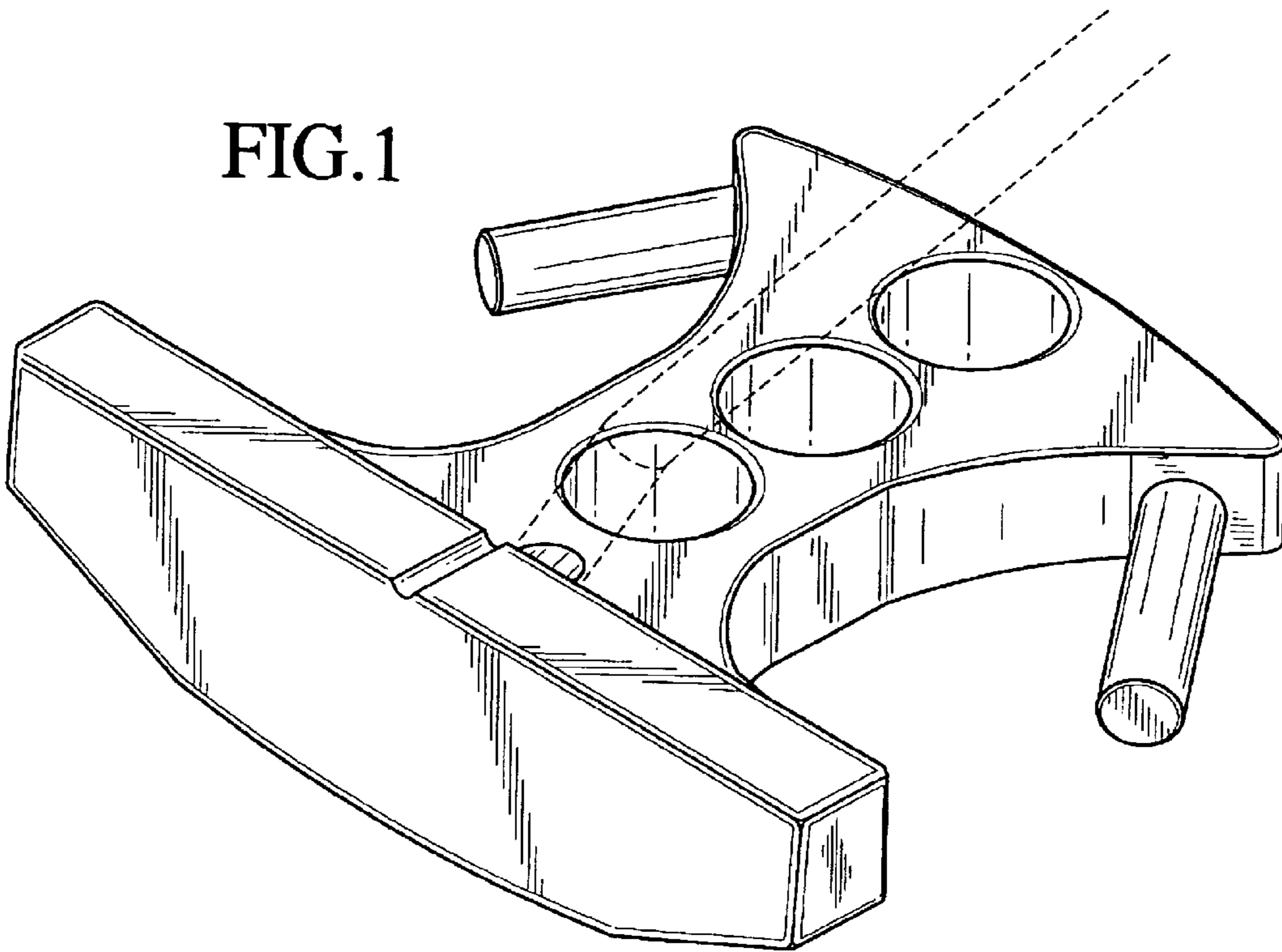


FIG.8

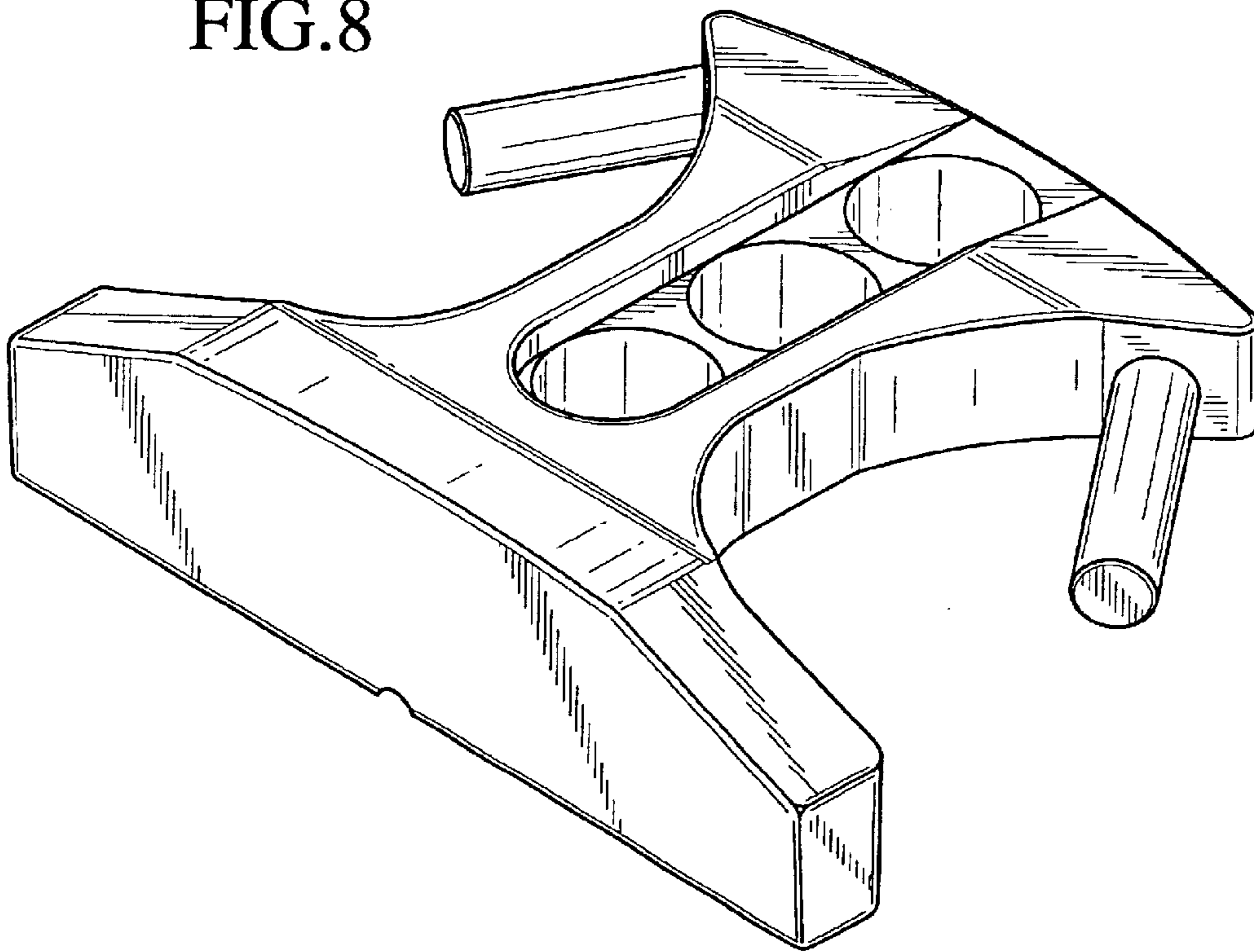


FIG.2

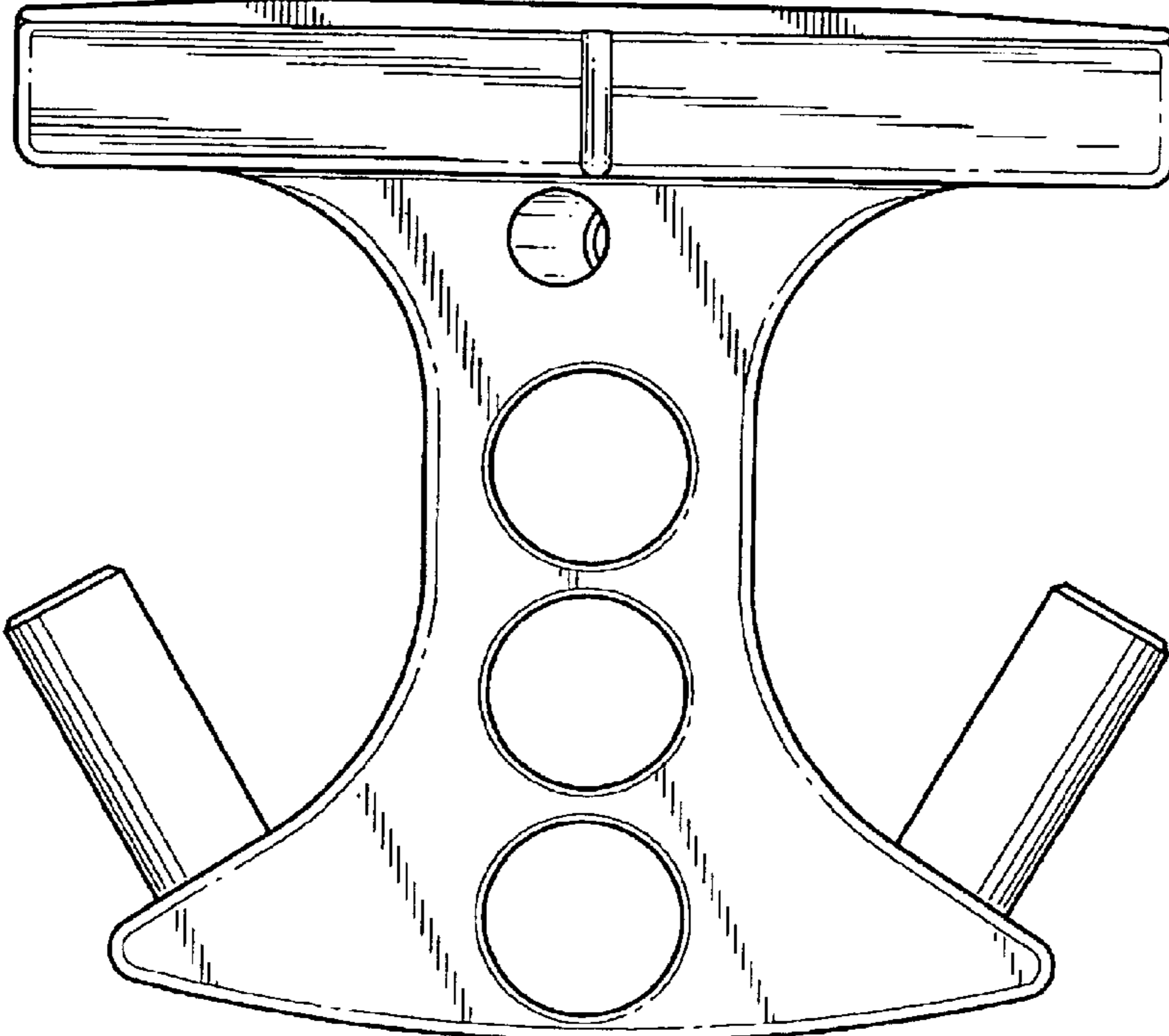


FIG.3

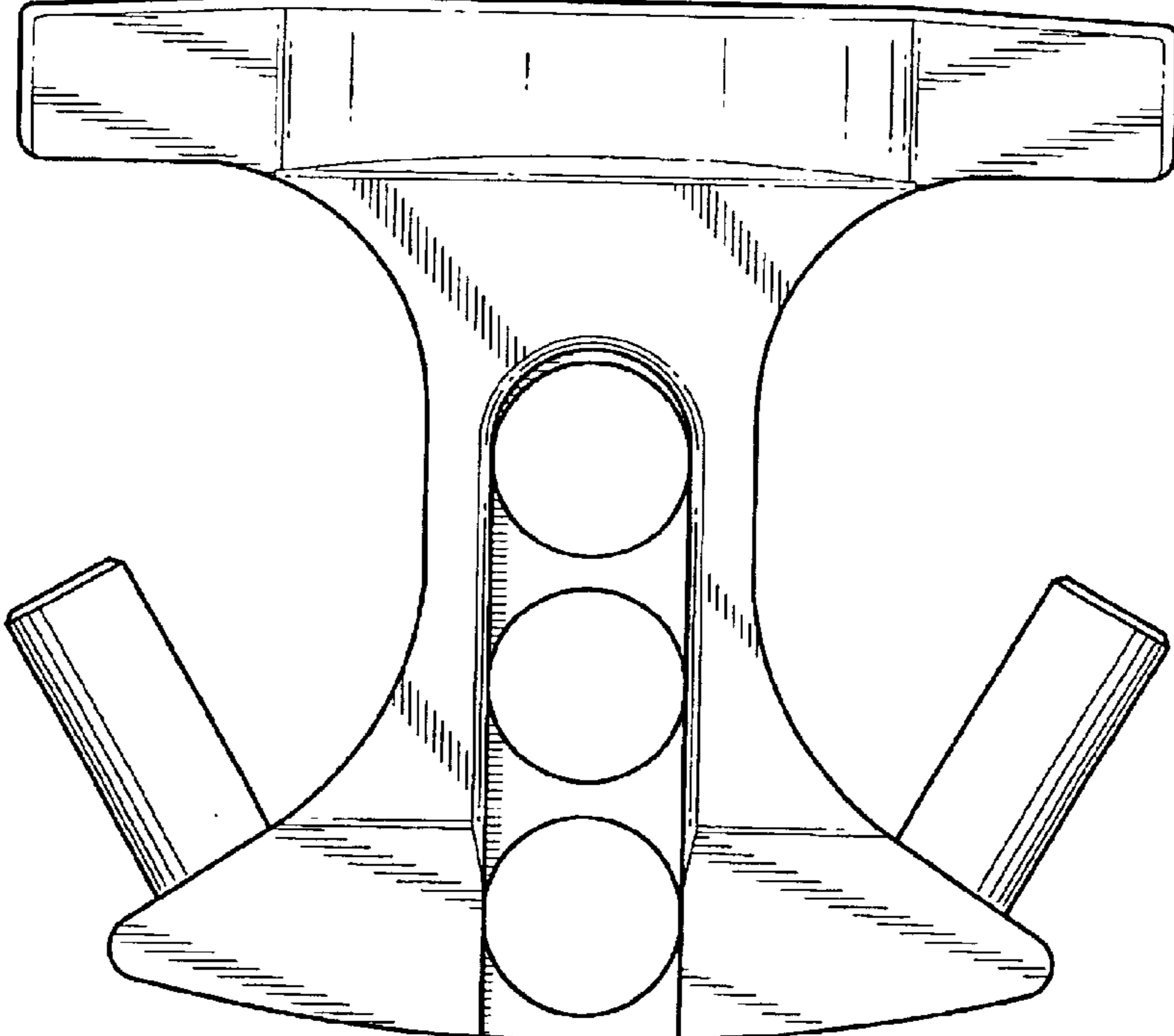


FIG.4

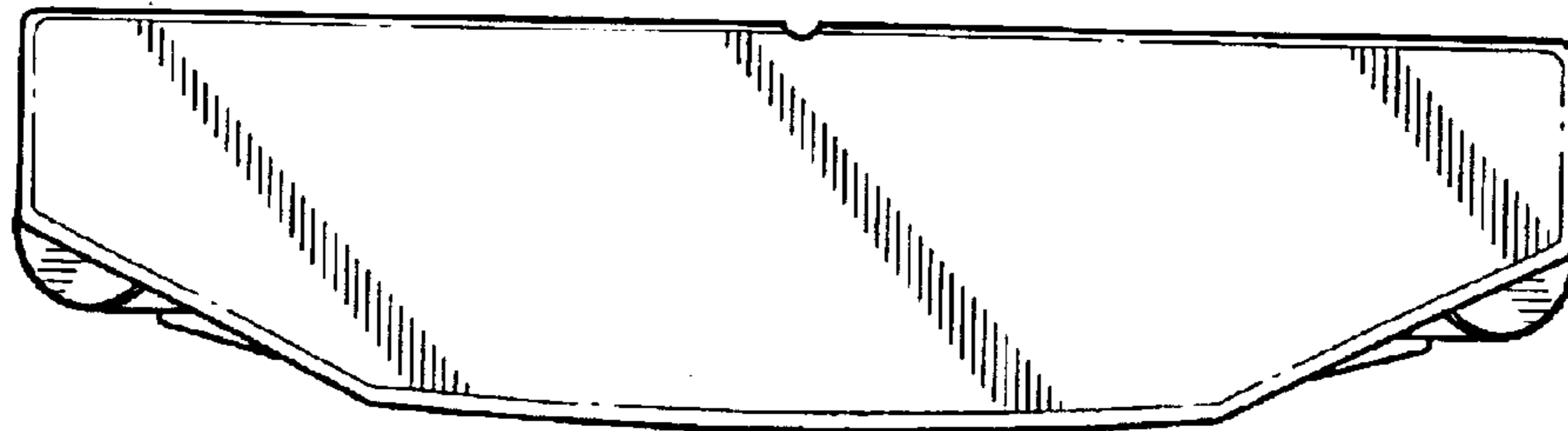


FIG.5

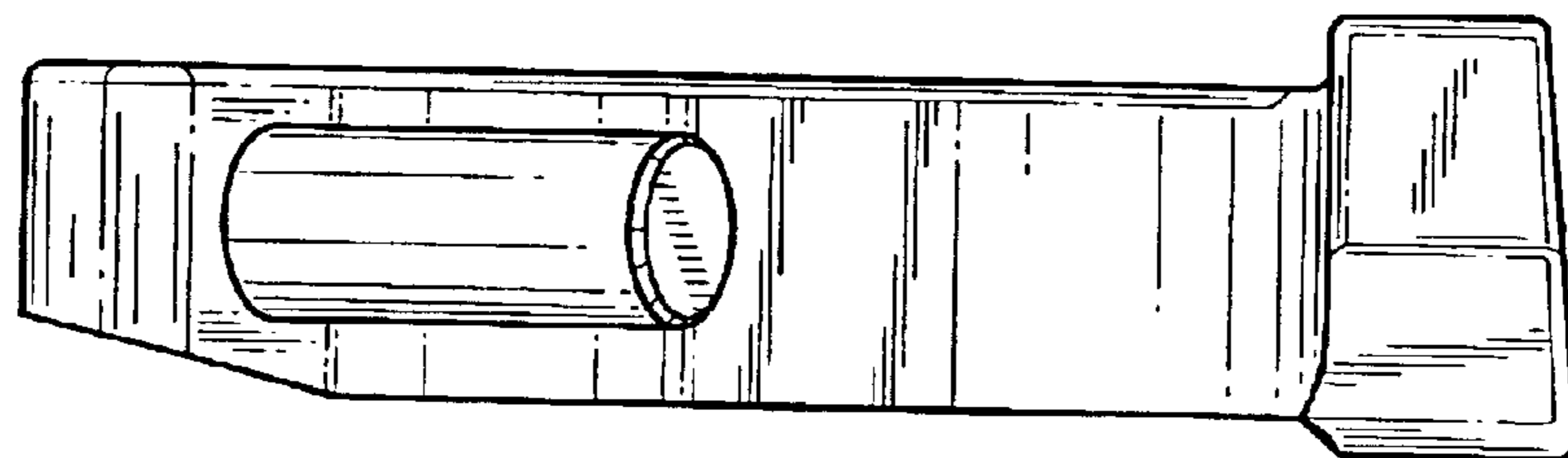


FIG.6

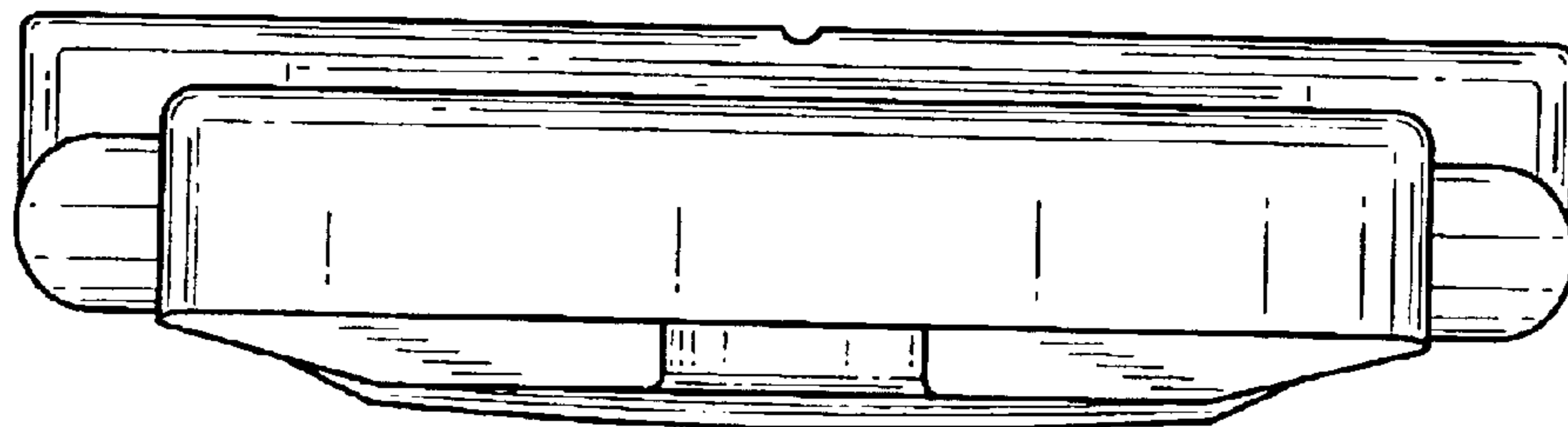


FIG.7

