

US00D494236S1

(12) **United States Design Patent** (10) **Patent No.:** **US D494,236 S**
Shmoldas et al. (45) **Date of Patent:** **** Aug. 10, 2004**

(54) **GOLF CLUB HEAD**

(75) Inventors: **Andre Shmoldas**, Solana Beach, CA
 (US); **Brian Pond**, San Marcos, CA
 (US)

(73) Assignee: **Roger Cleveland Golf Company, Inc.**,
 Cypress, CA (US)

(**) Term: **14 Years**

(21) Appl. No.: **29/176,805**

(22) Filed: **Feb. 24, 2003**

(51) **LOC (7) Cl.** **21-02**

(52) **U.S. Cl.** **D21/736; D21/738**

(58) **Field of Search** **D21/736-746;**
473/324, 327-331, 340, 341, 251-256

6,471,600 B2 10/2002 Tang et al. 473/242
 D467,985 S * 12/2002 Tang et al. D21/742
 D470,904 S * 2/2003 Tang et al. D21/742
 D471,245 S * 3/2003 Tang et al. D21/742
 D471,940 S * 3/2003 Tang et al. D21/742
 D479,291 S * 9/2003 Murray D21/742

* cited by examiner

Primary Examiner—Mitchell Siegel

(74) *Attorney, Agent, or Firm*—Parkhurst & Wendel, L.L.P.

(57) **CLAIM**

The ornamental design for a golf club head, as shown and described.

DESCRIPTION

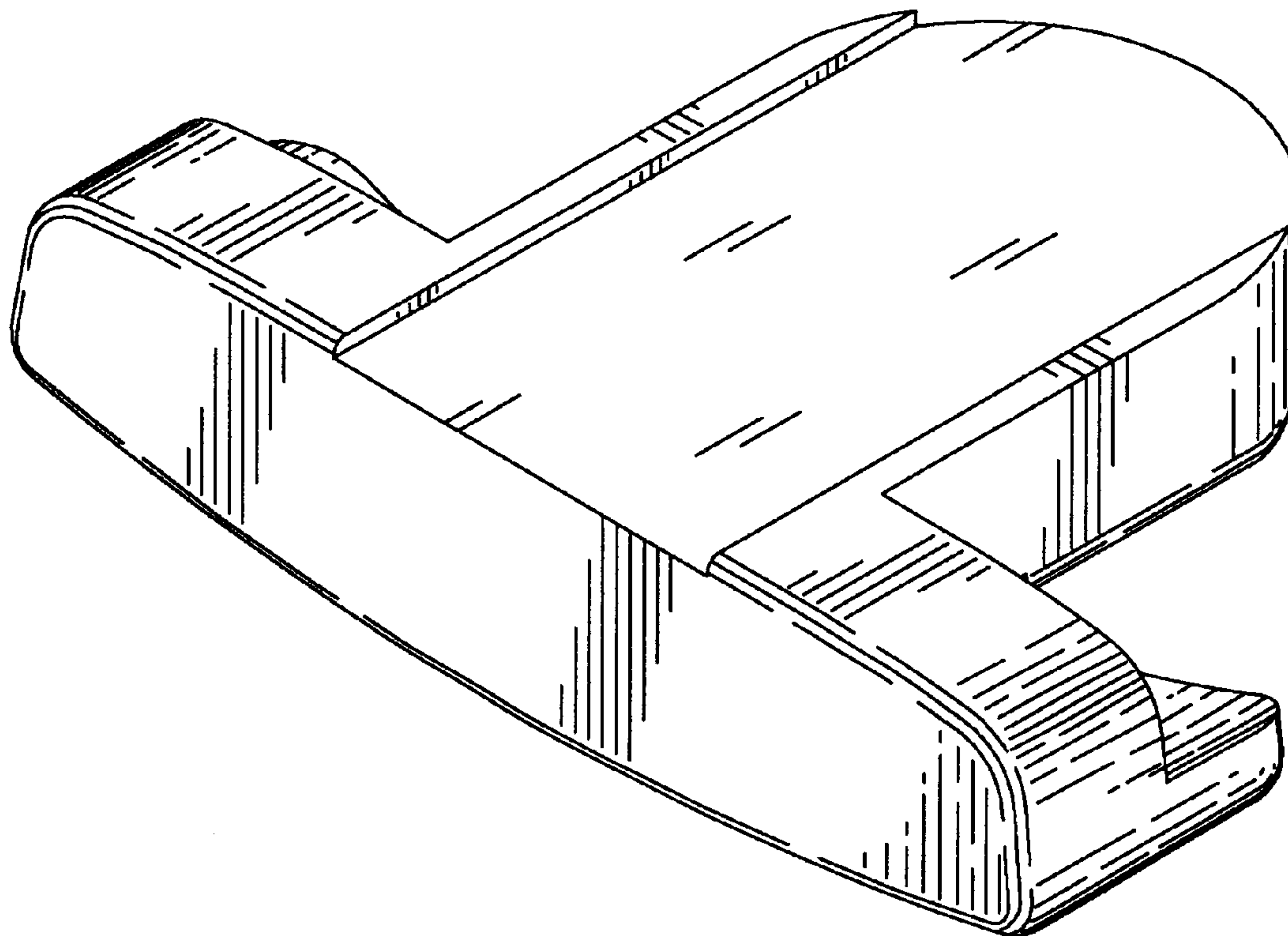
FIG. 1 is a front perspective view of a golf club head of the present invention;
 FIG. 2 is front elevational view thereof;
 FIG. 3 is a top plan view thereof;
 FIG. 4 is a right-side elevational view thereof, the left-side elevational view being a mirror image of the right-side elevational view.
 FIG. 5 is a rear elevational view thereof; and,
 FIG. 6 is a bottom plan view thereof.

1 Claim, 3 Drawing Sheets

(56) **References Cited**

U.S. PATENT DOCUMENTS

4,141,556 A * 2/1979 Paulin 473/253
 5,685,784 A * 11/1997 Butler 473/340
 D395,692 S * 6/1998 Butler D21/742
 D458,656 S * 6/2002 Tang et al. D21/738
 D461,515 S * 8/2002 Tang et al. D21/742



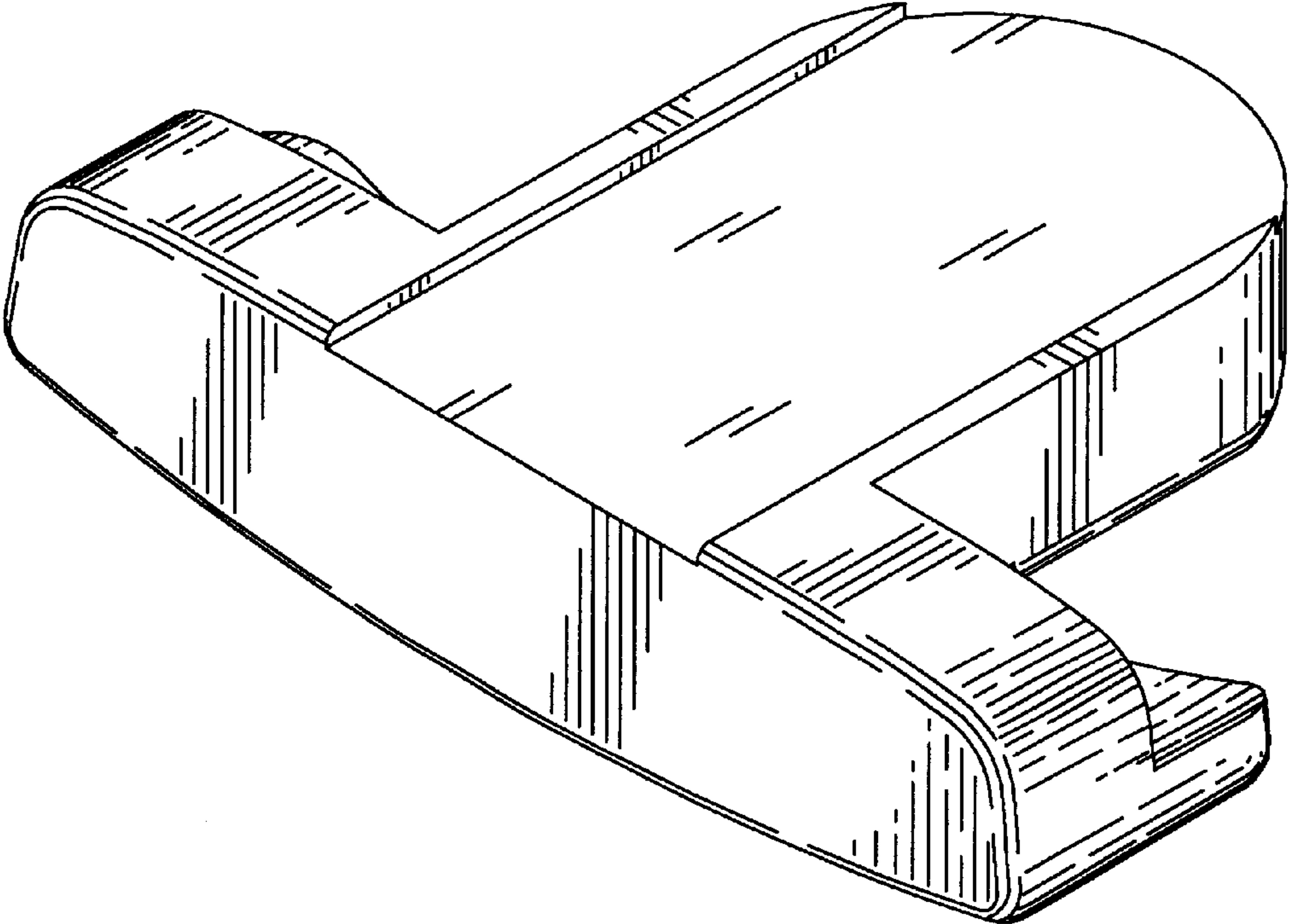


Fig. 1

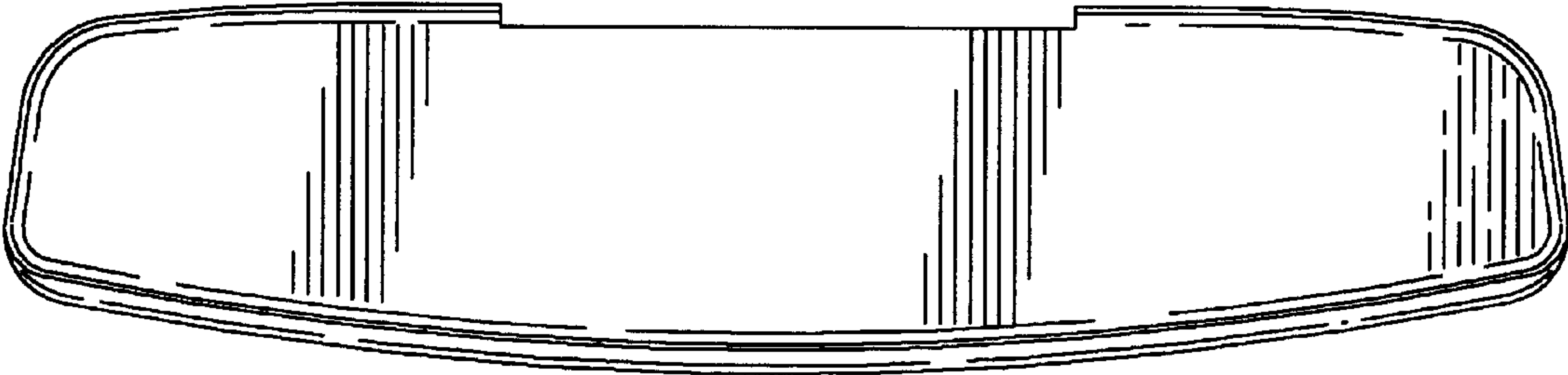


Fig. 2

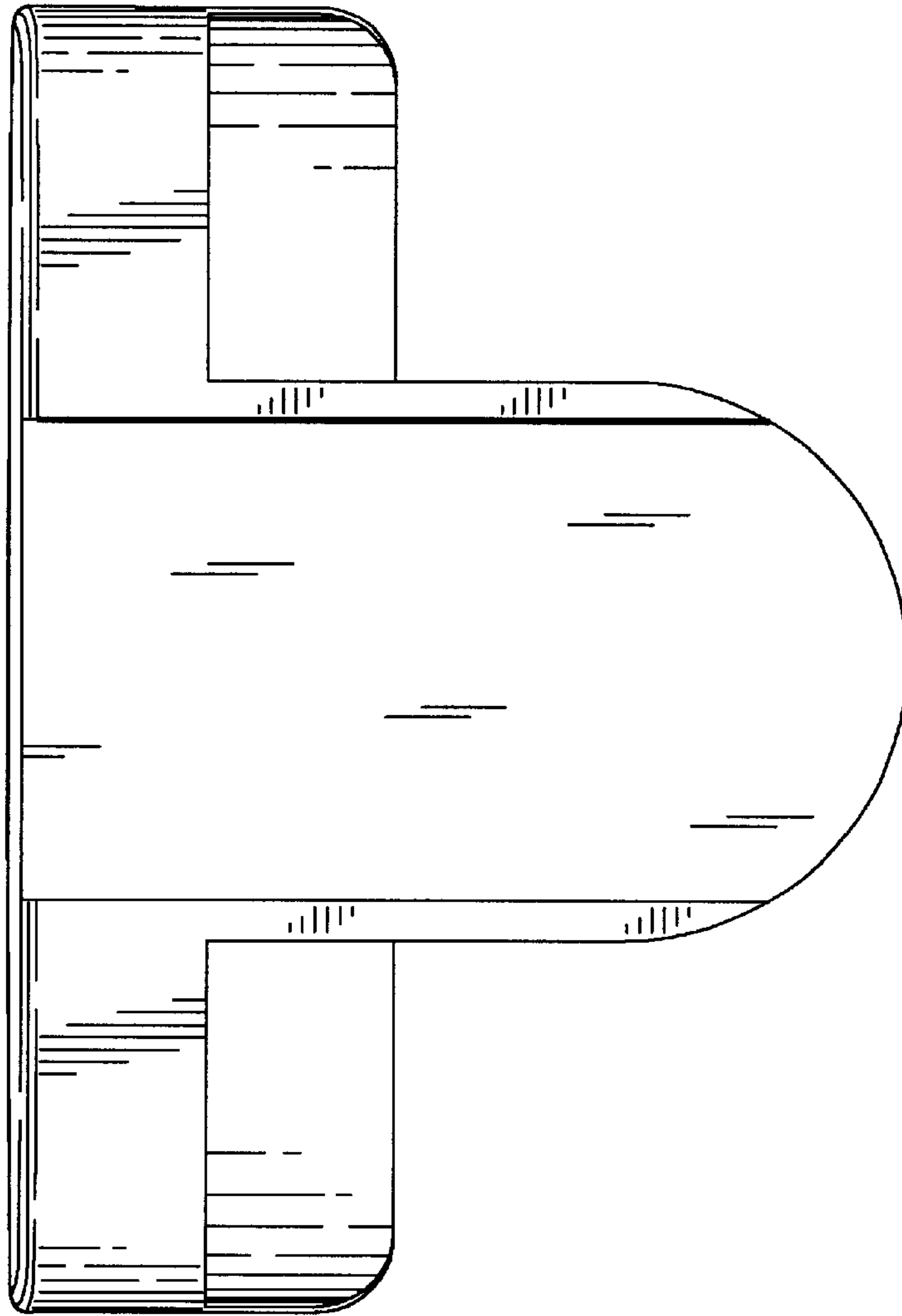


Fig. 3

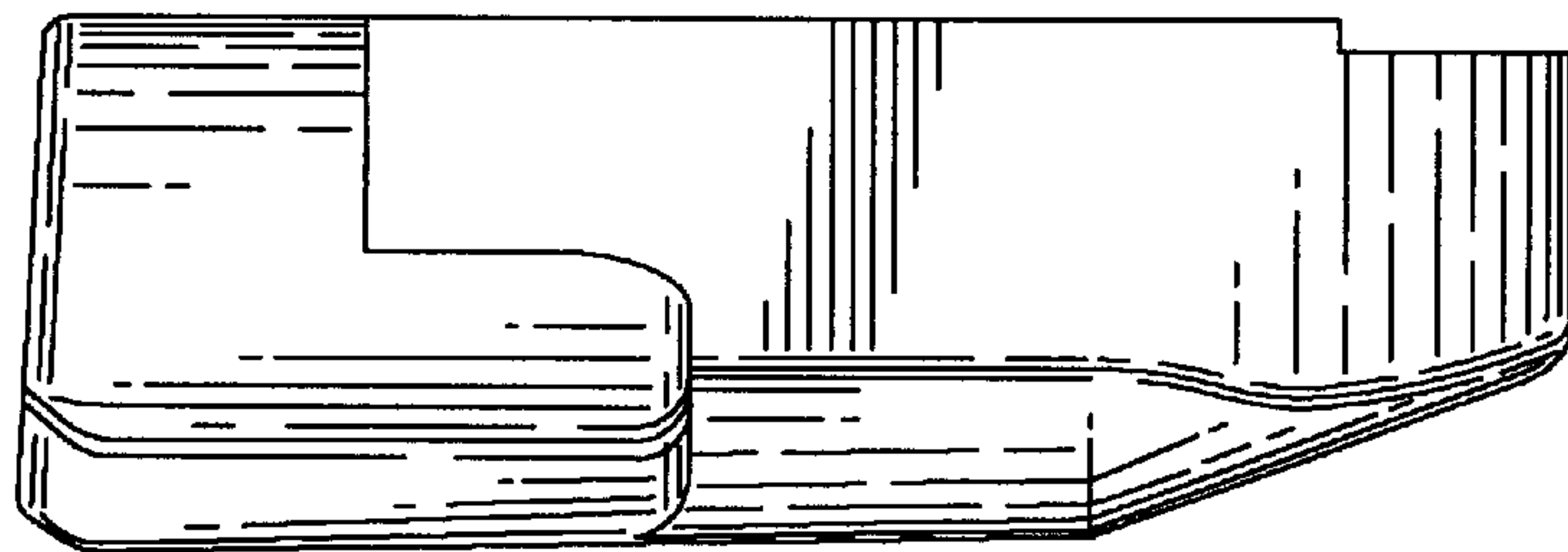


Fig. 4

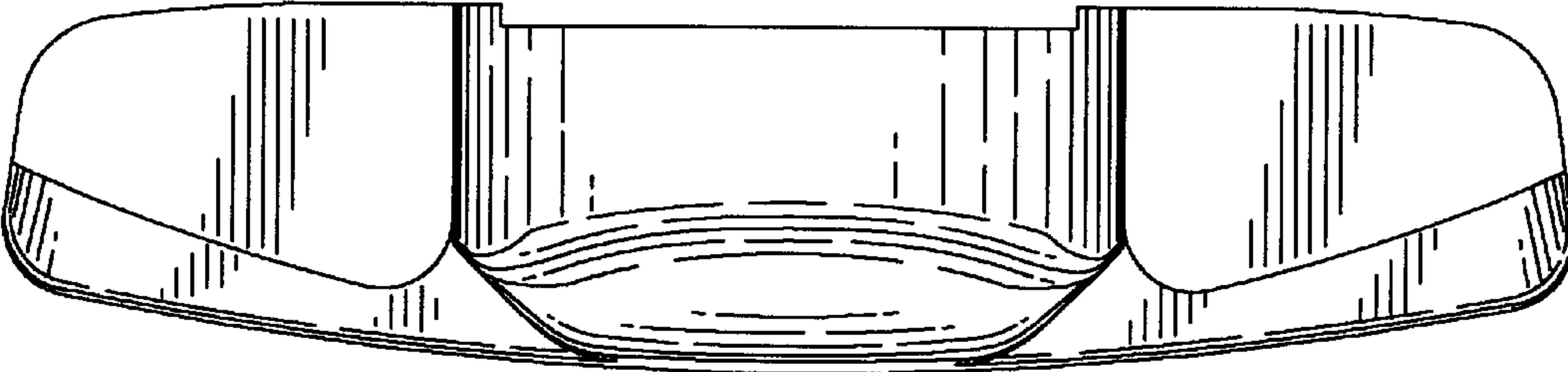


Fig. 5

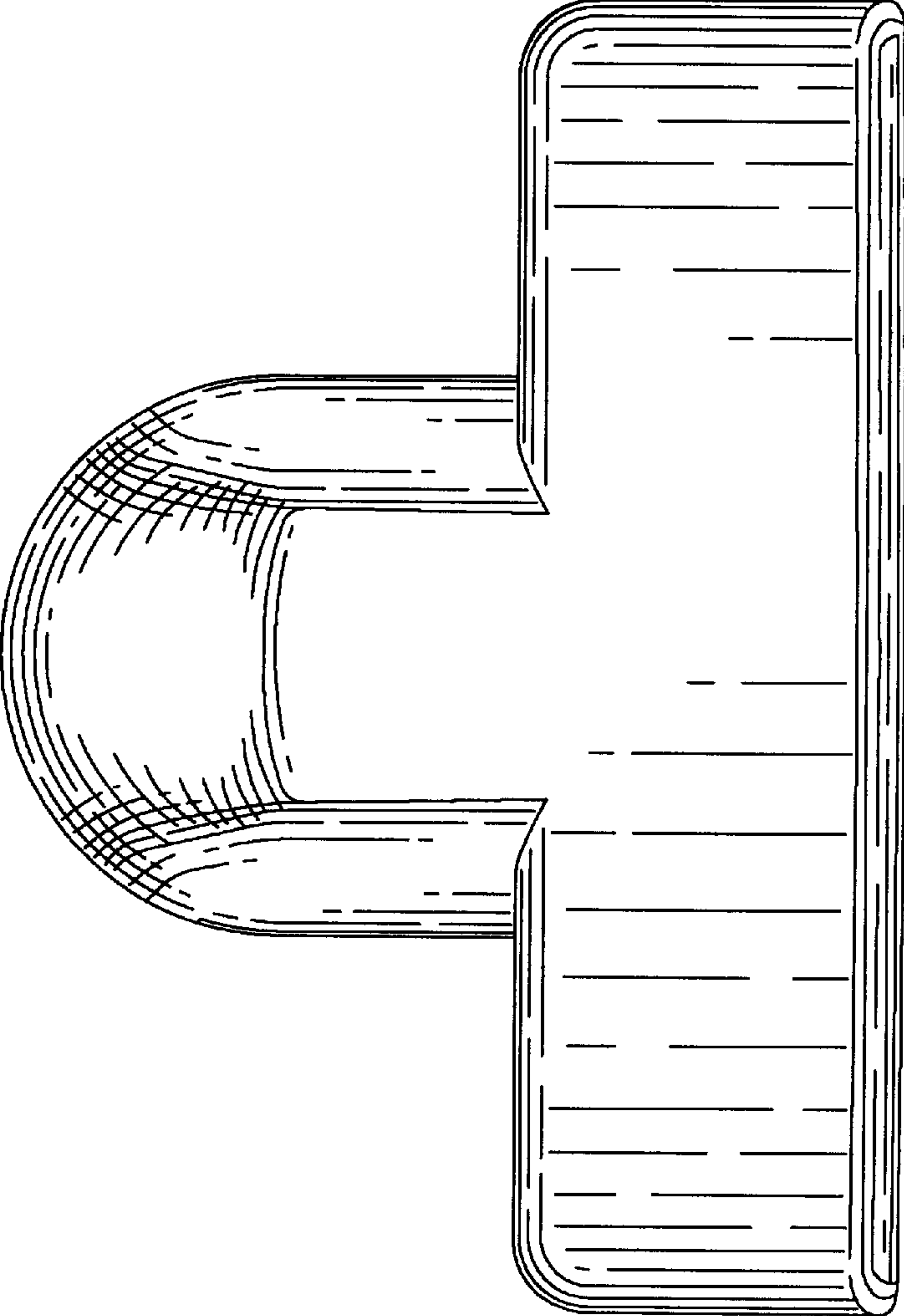


Fig. 6