

US00D494234S1

(12) **United States Design Patent**
Sporie et al.

(10) **Patent No.:** **US D494,234 S**
(45) **Date of Patent:** **** Aug. 10, 2004**

(54) **FOLDABLE MOTORIZED TREADMILL
HAVING WHEELS AND CAPABLE OF
UNDER-BED STORAGE**

(76) Inventors: **Donna J. Sporie**, 235 Clark Rd.,
Freedom, ME (US) 04941; **Glenn A.
Sporie**, 235 Clark Rd., Freedom, ME
(US) 04941

(**) **Term:** **14 Years**

(21) **Appl. No.:** **29/186,240**

(22) **Filed:** **Jul. 14, 2003**

(51) **LOC (7) Cl.** **21-02**

(52) **U.S. Cl.** **D21/669**

(58) **Field of Search** D21/662, 668,
D21/669, 670; 482/51, 52, 54, 70

(56) **References Cited**

U.S. PATENT DOCUMENTS

2,969,060 A	1/1961	Swanda et al.	
D218,107 S	7/1970	Feather et al.	
3,843,118 A	10/1974	Annas et al.	
4,204,673 A	5/1980	Speer, Sr.	
4,477,070 A	10/1984	Appelbaum	
4,614,336 A	* 9/1986	Taitel	482/54
4,659,074 A	* 4/1987	Taitel et al.	482/54
D325,951 S	* 5/1992	Johnson	D21/797
5,123,641 A	* 6/1992	Abboudi et al.	482/54
5,352,169 A	10/1994	Eschenbach	482/57
D355,227 S	* 2/1995	Summers et al.	D21/669

5,391,130 A	2/1995	Green et al.	482/71
D369,843 S	* 5/1996	Wang et al.	D21/669
5,529,554 A	6/1996	Eschenbach	482/57
5,711,745 A	* 1/1998	Yang	482/54
D393,297 S	* 4/1998	McBride et al.	D21/669
D414,518 S	* 9/1999	Wang et al.	D21/669
D416,298 S	* 11/1999	Onuma et al.	D21/669
D424,137 S	* 5/2000	Barker et al.	D21/669
6,241,638 B1	6/2001	Hurt	482/54
D464,690 S	* 10/2002	San-Ching	D21/669

* cited by examiner

Primary Examiner—Philip S. Hyder

(74) *Attorney, Agent, or Firm*—Donald R. Schoonover

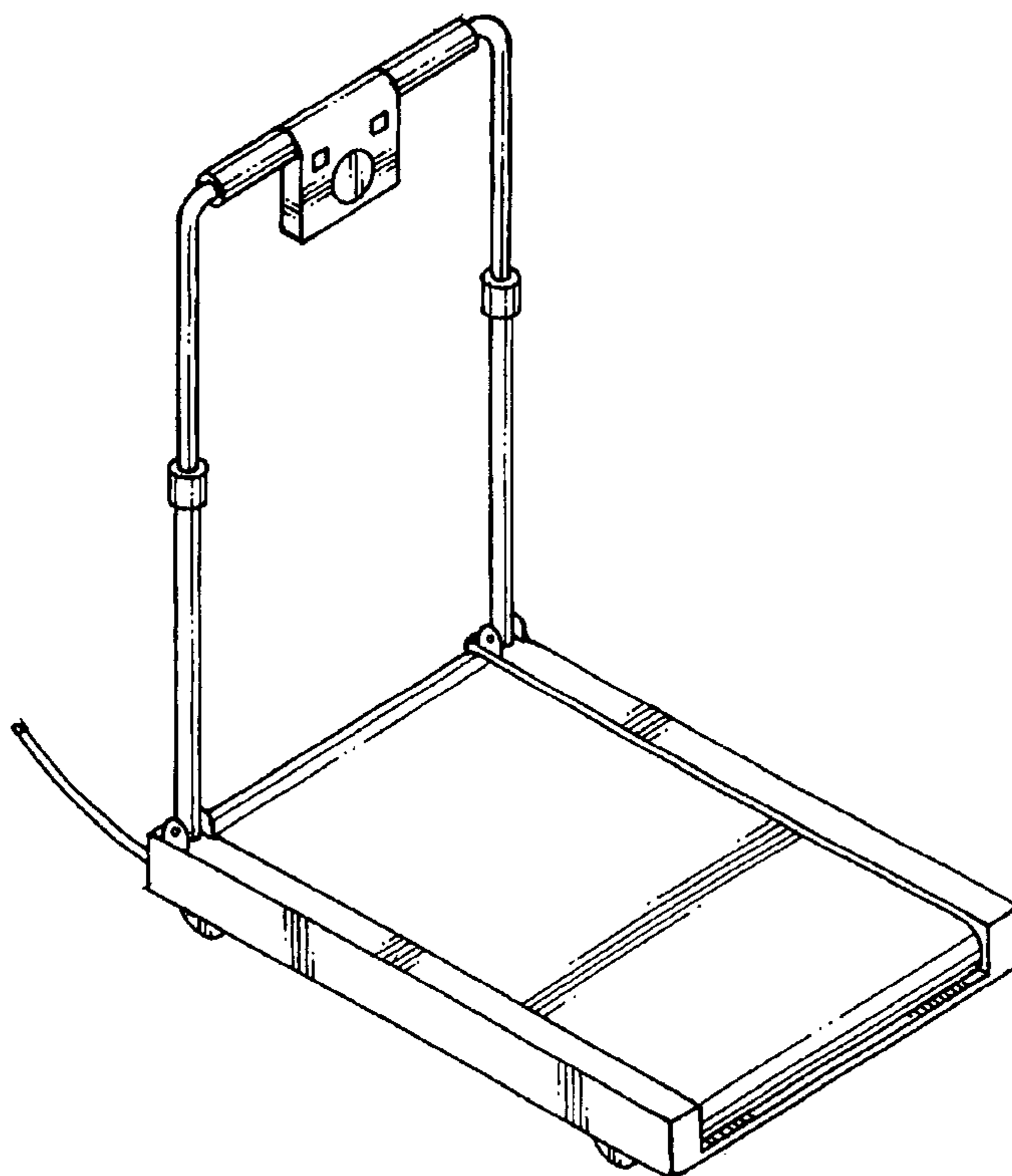
(57) **CLAIM**

We claim the ornamental design for a foldable motorized treadmill having wheels and capable of under-bed storage, as shown and described.

DESCRIPTION

FIG. 1 is a perspective view of a foldable motorized treadmill having wheels and capable of under-bed storage showing our new design;
FIG. 2 is a front elevational view thereof;
FIG. 3 is a rear elevational view thereof;
FIG. 4 is a left side elevational view thereof, the right side elevational view being a mirror image thereof;
FIG. 5 is a top plan view thereof; and,
FIG. 6 is a bottom plan view thereof.

1 Claim, 4 Drawing Sheets



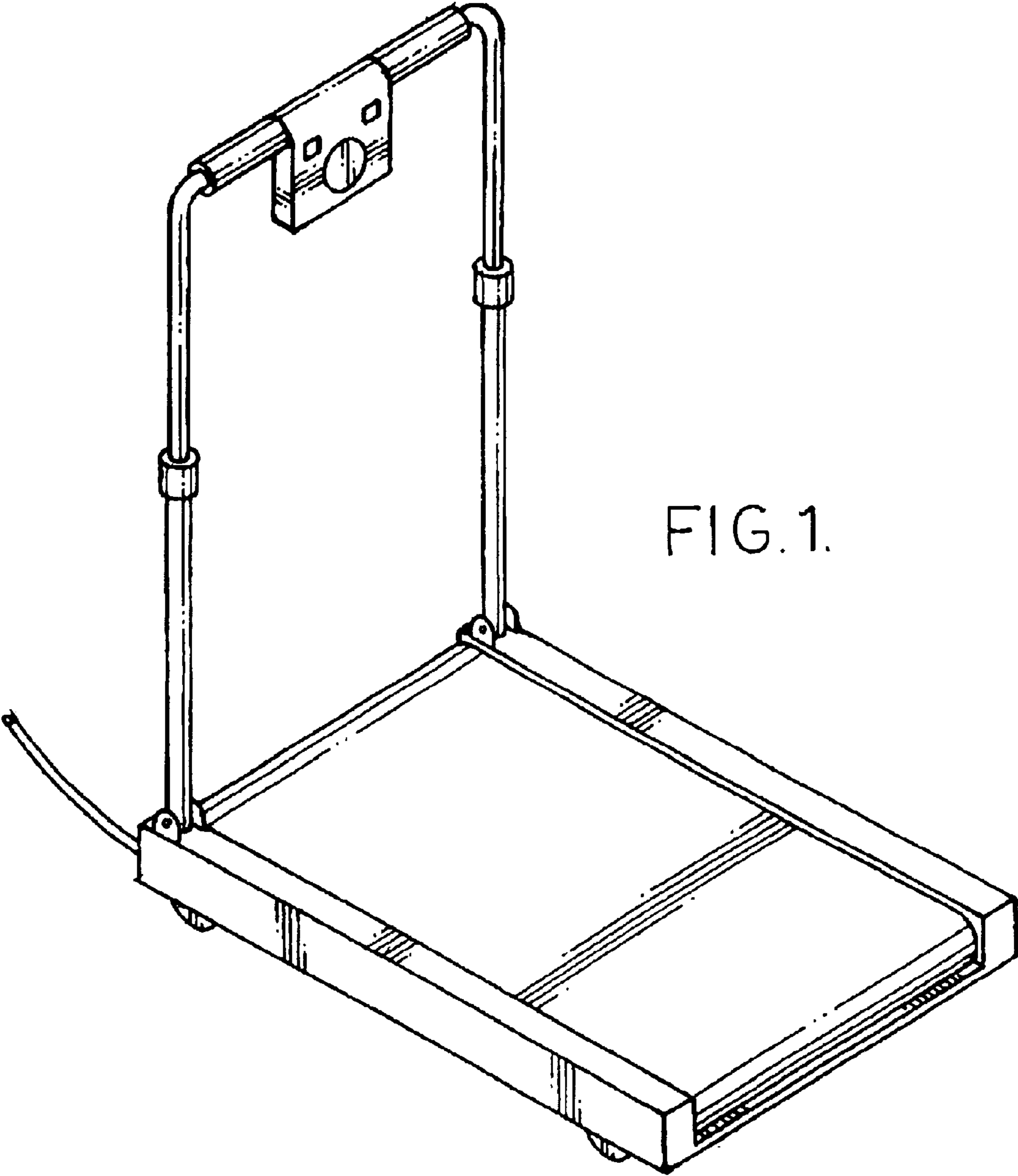


FIG. 1.

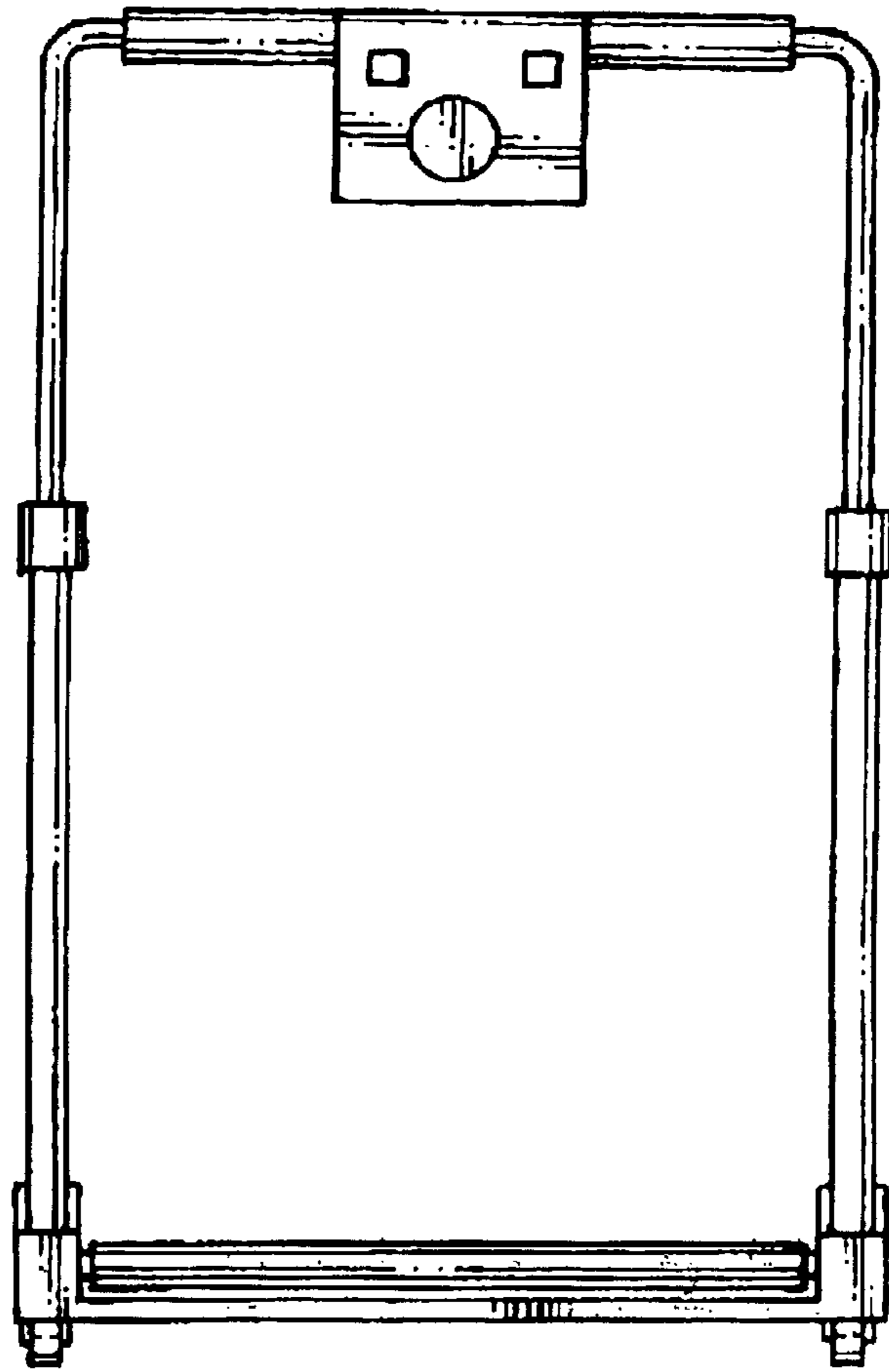


FIG. 2.

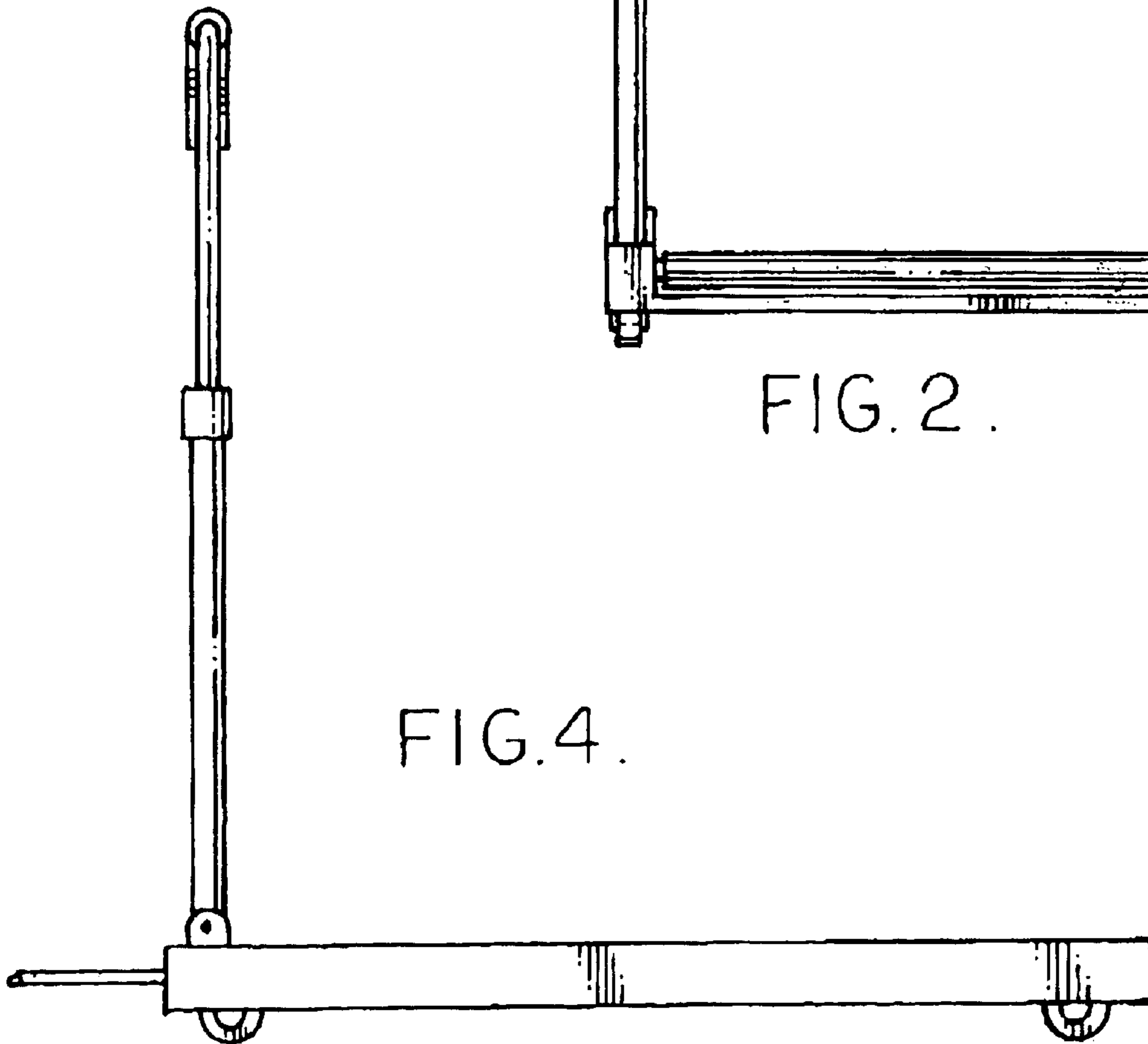


FIG. 4.

FIG. 3.

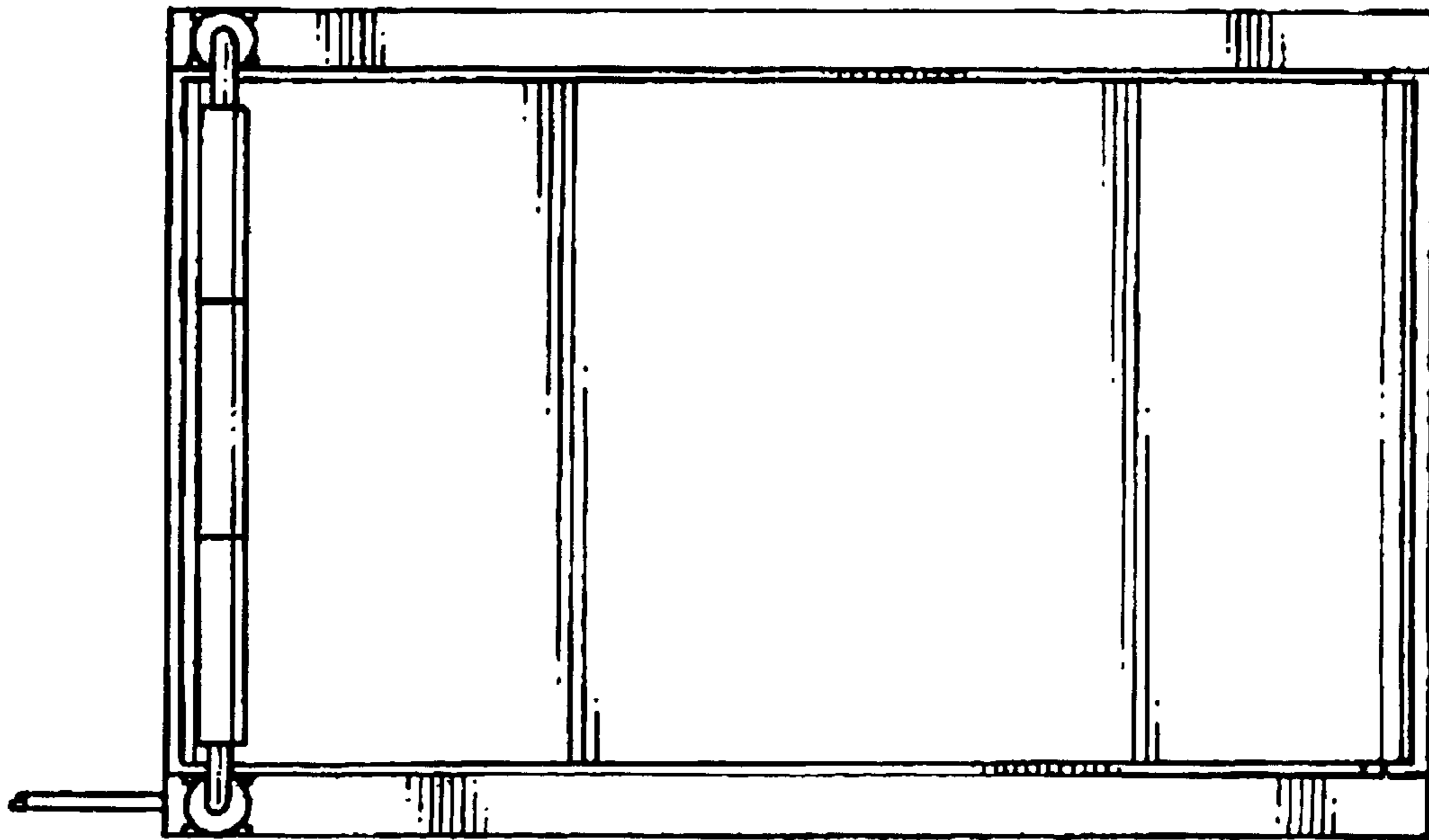
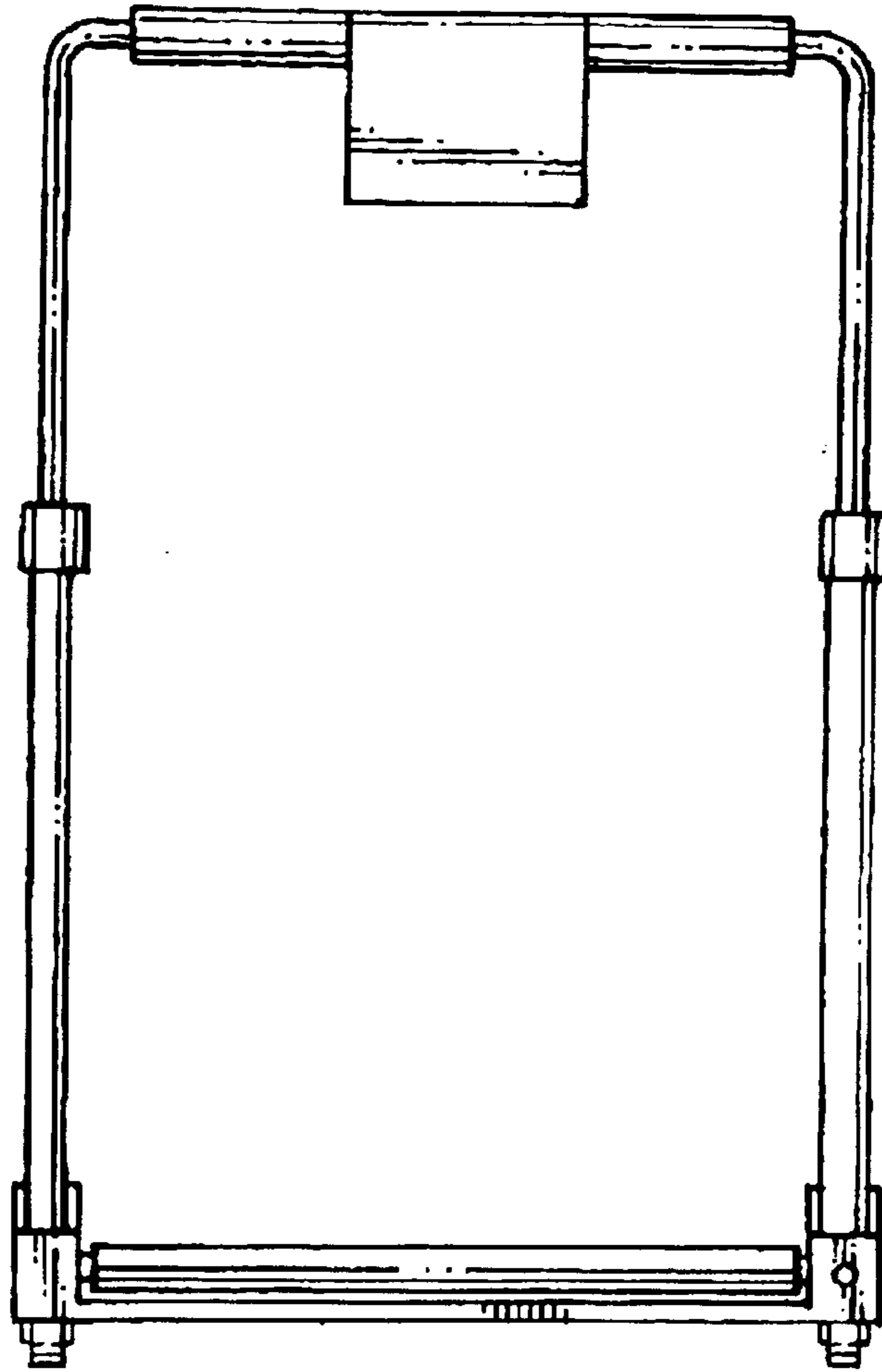


FIG. 5.

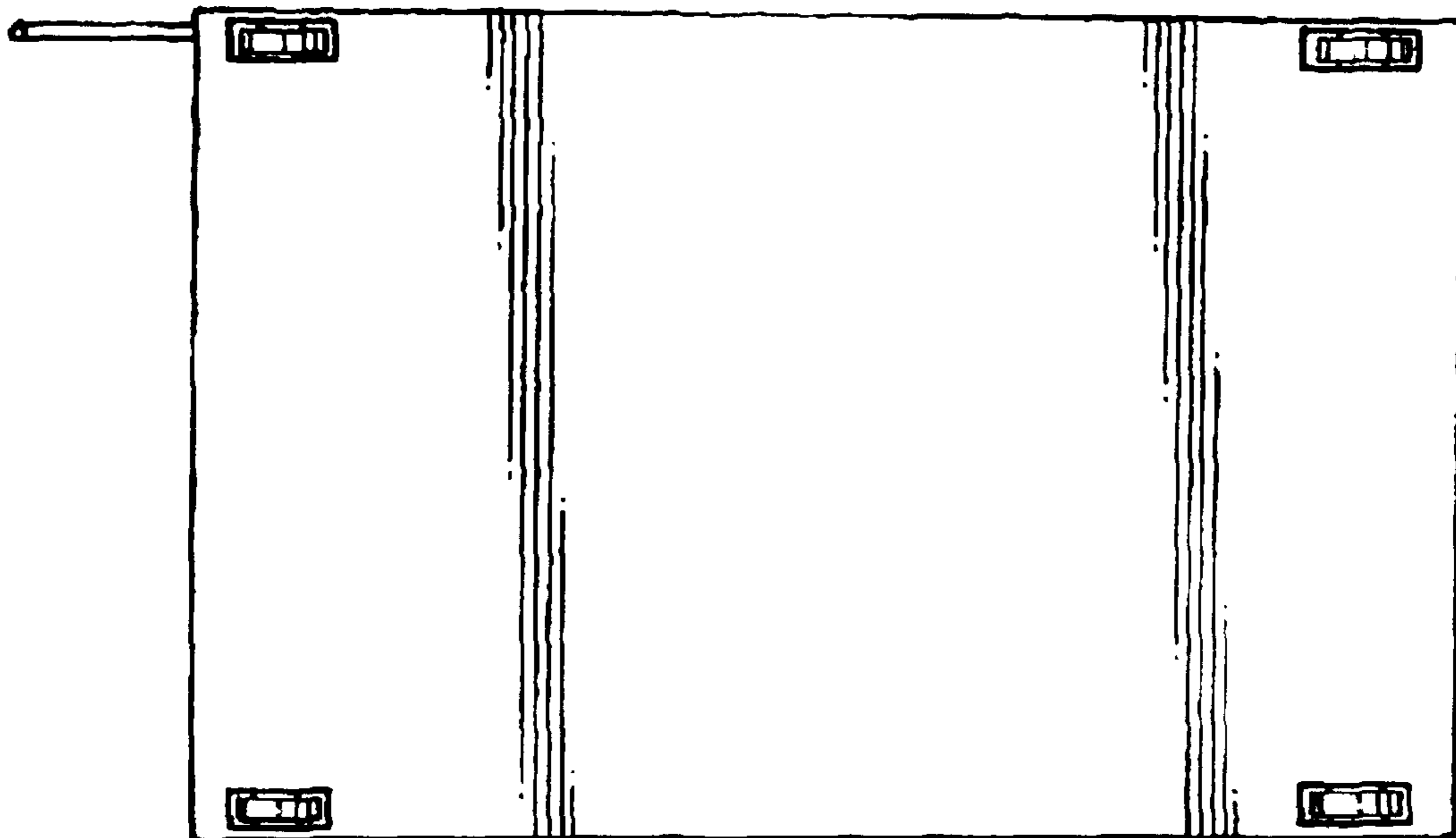


FIG.6.